



US00D390013S

United States Patent [19] Ho

[11] Patent Number: **Des. 390,013**
[45] Date of Patent: ****Feb. 3, 1998**

[54] **WOODEN GARMENT HANGER**
[75] Inventor: **Tang-hsiung Ho, Taipei, Taiwan**
[73] Assignee: **Test Rite International Co., Ltd., Taipei, Taiwan**
[**] Term: **14 Years**

D. 291,154 8/1987 Owen D6/323
D. 294,791 3/1988 Loscalzo et al. D6/323
D. 294,792 3/1988 Zimmerman D6/323
4,372,450 2/1983 Licari et al. 248/304

Primary Examiner—B. J. Bullock
Attorney, Agent, or Firm—Pro-Techt International

[21] Appl. No.: **67,964**
[22] Filed: **Apr. 15, 1997**

[57] CLAIM

The ornamental design for a wooden garment hanger, as shown and described.

[51] LOC (6) Cl. **06-08**
[52] U.S. Cl. **D6/323; D6/569**
[58] Field of Search **D6/320, 323, 567, D6/569; D8/367, 352; 211/13, 87; 248/304, 309.1**

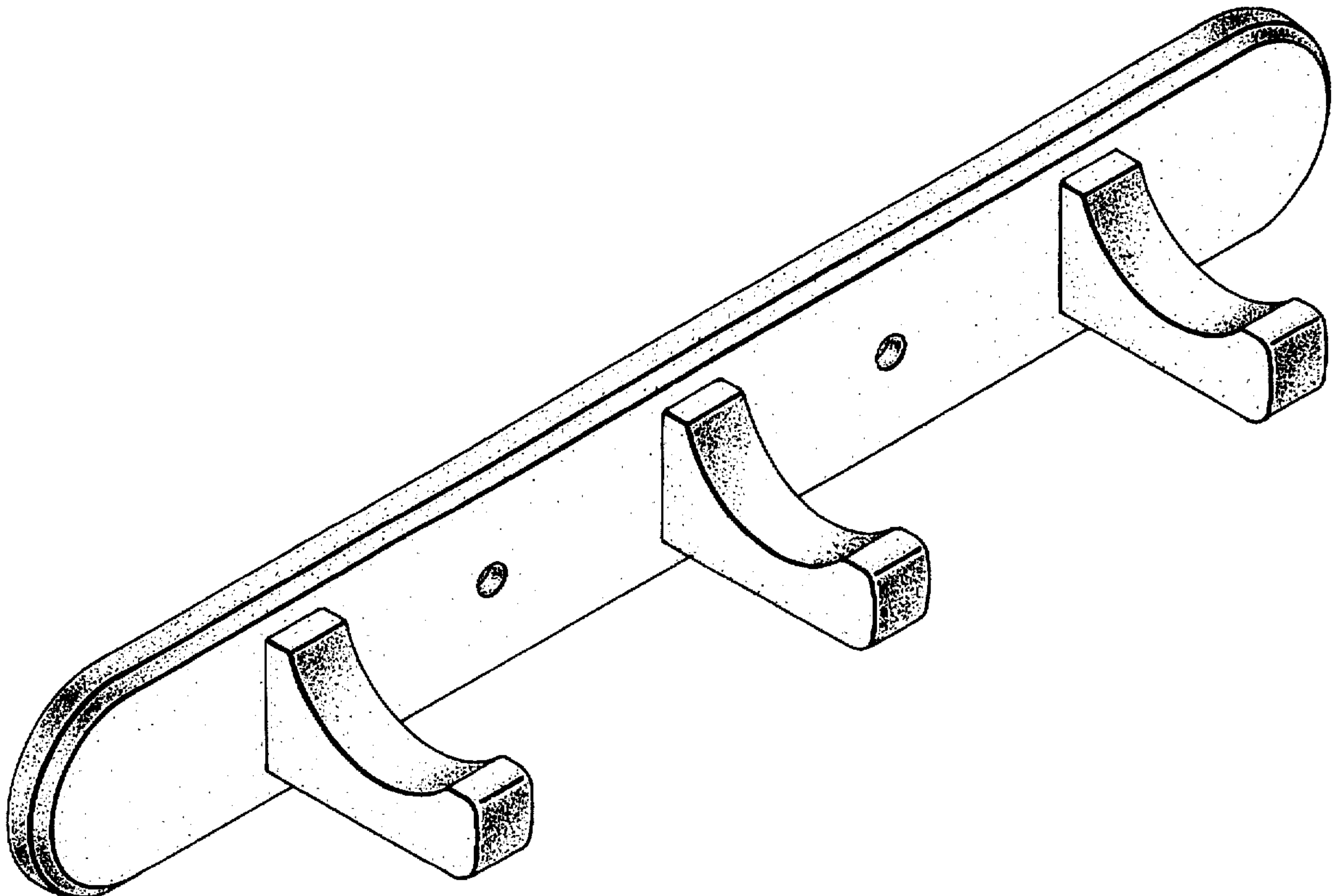
DESCRIPTION

FIG. 1 is a perspective view showing the wooden garment hanger in accordance with the present invention; FIG. 2 is a front elevational view thereof; FIG. 3 is a rear elevational view thereof; FIG. 4 is a left-hand side elevational view thereof; FIG. 5 is a right-hand side elevational view thereof; FIG. 6 is a top plan view thereof; and, FIG. 7 is a bottom plan view thereof.

[56] References Cited U.S. PATENT DOCUMENTS

D. 247,845 5/1978 Palm, Jr. D8/352
D. 291,031 7/1987 Luongo D6/323

1 Claim, 4 Drawing Sheets



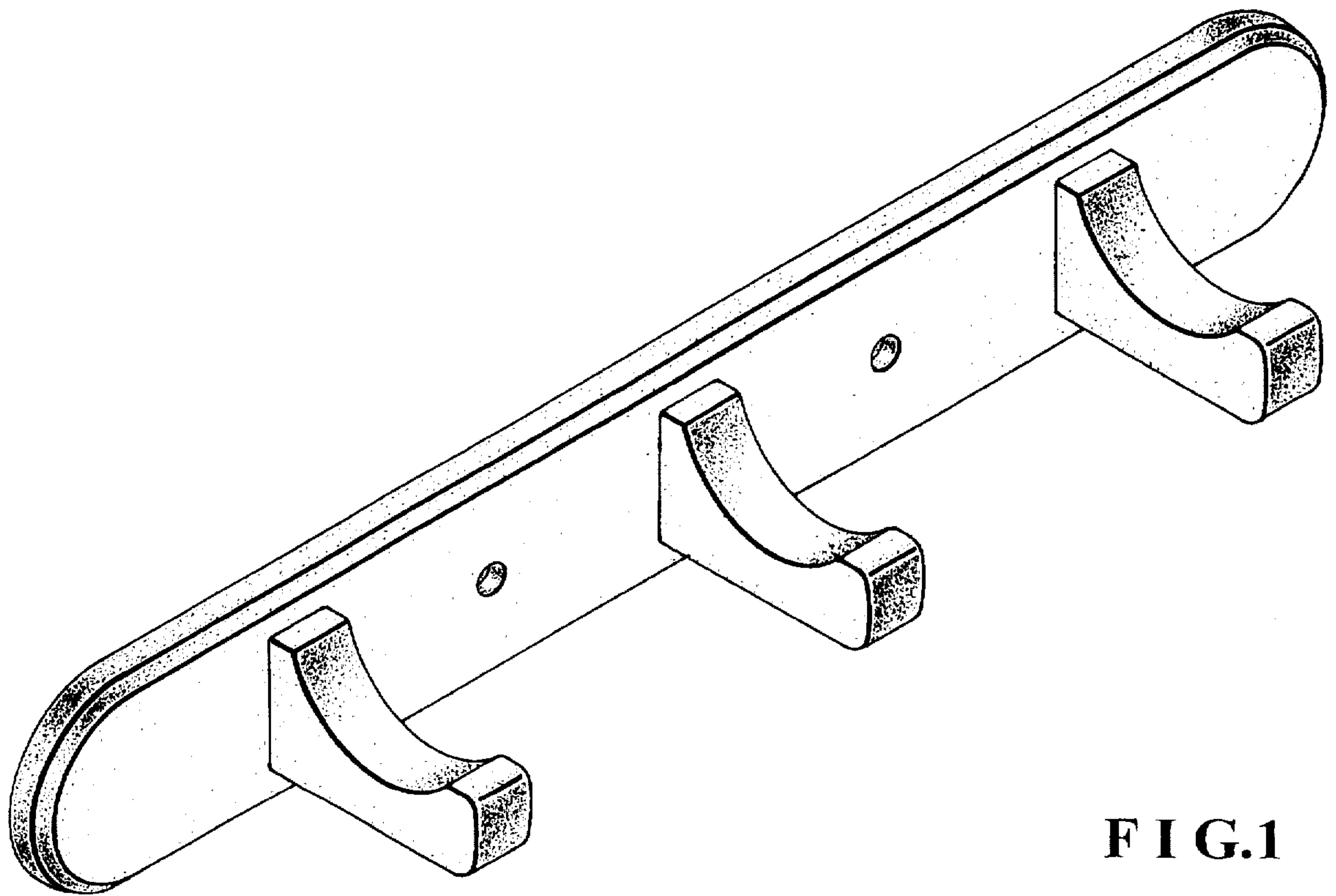


FIG.1

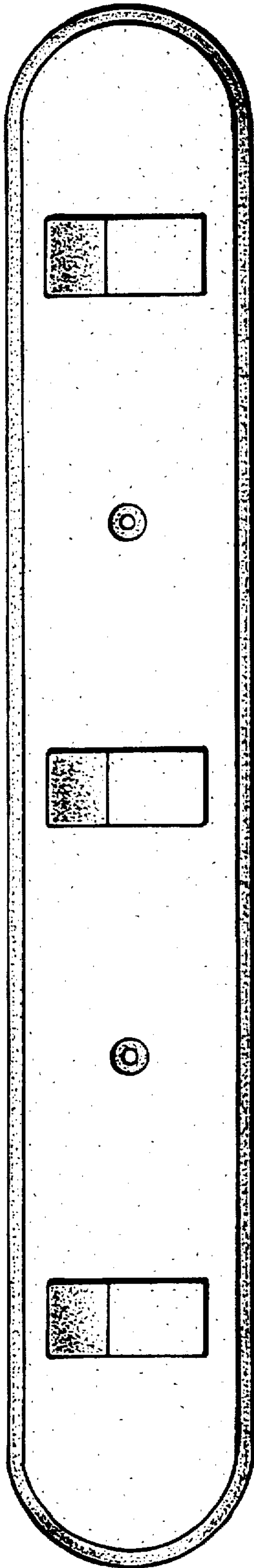


FIG. 2

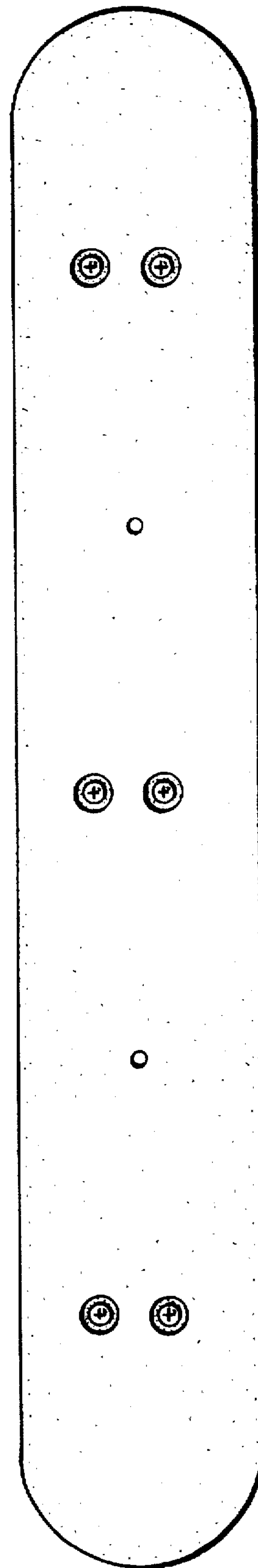


FIG. 3

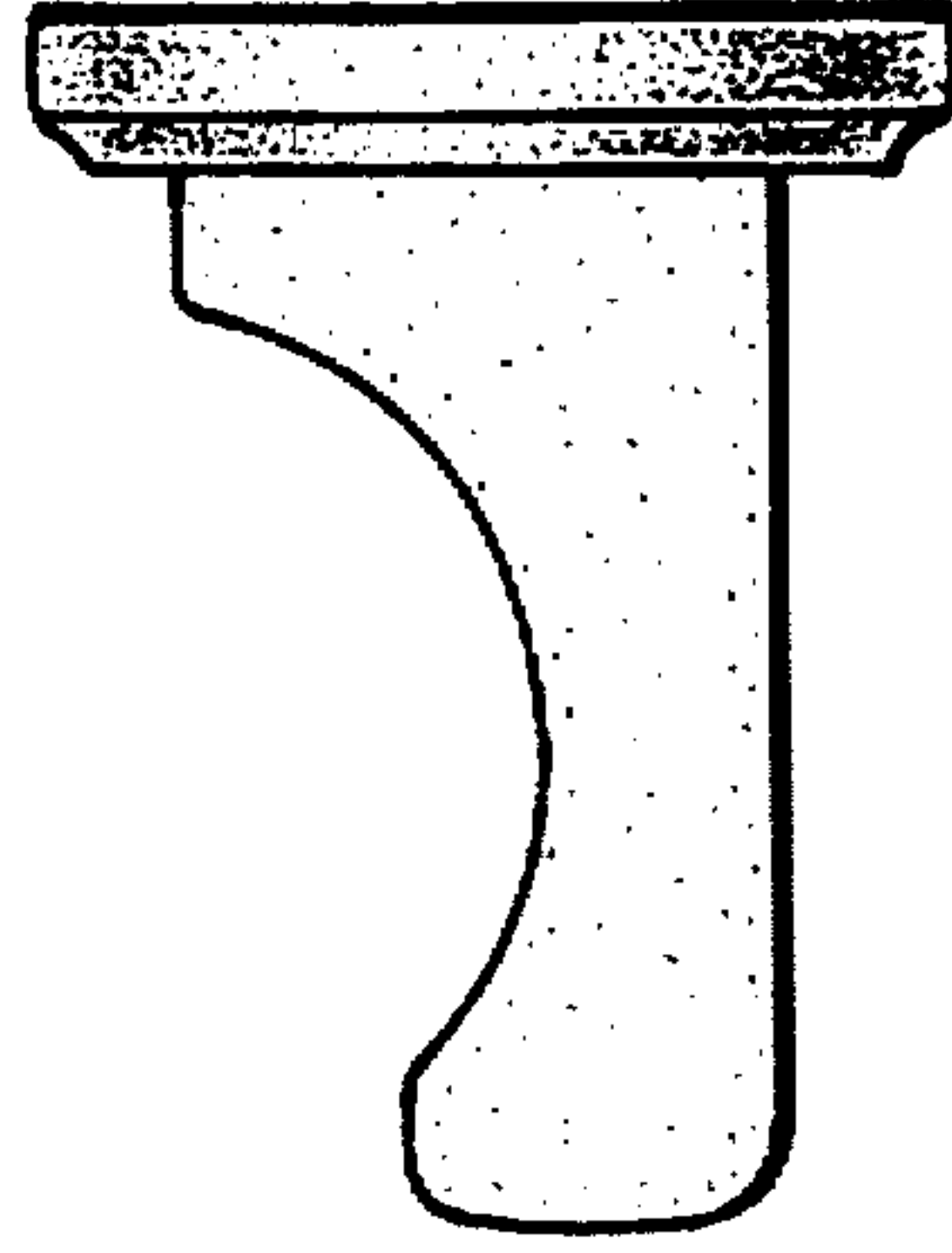


FIG. 5

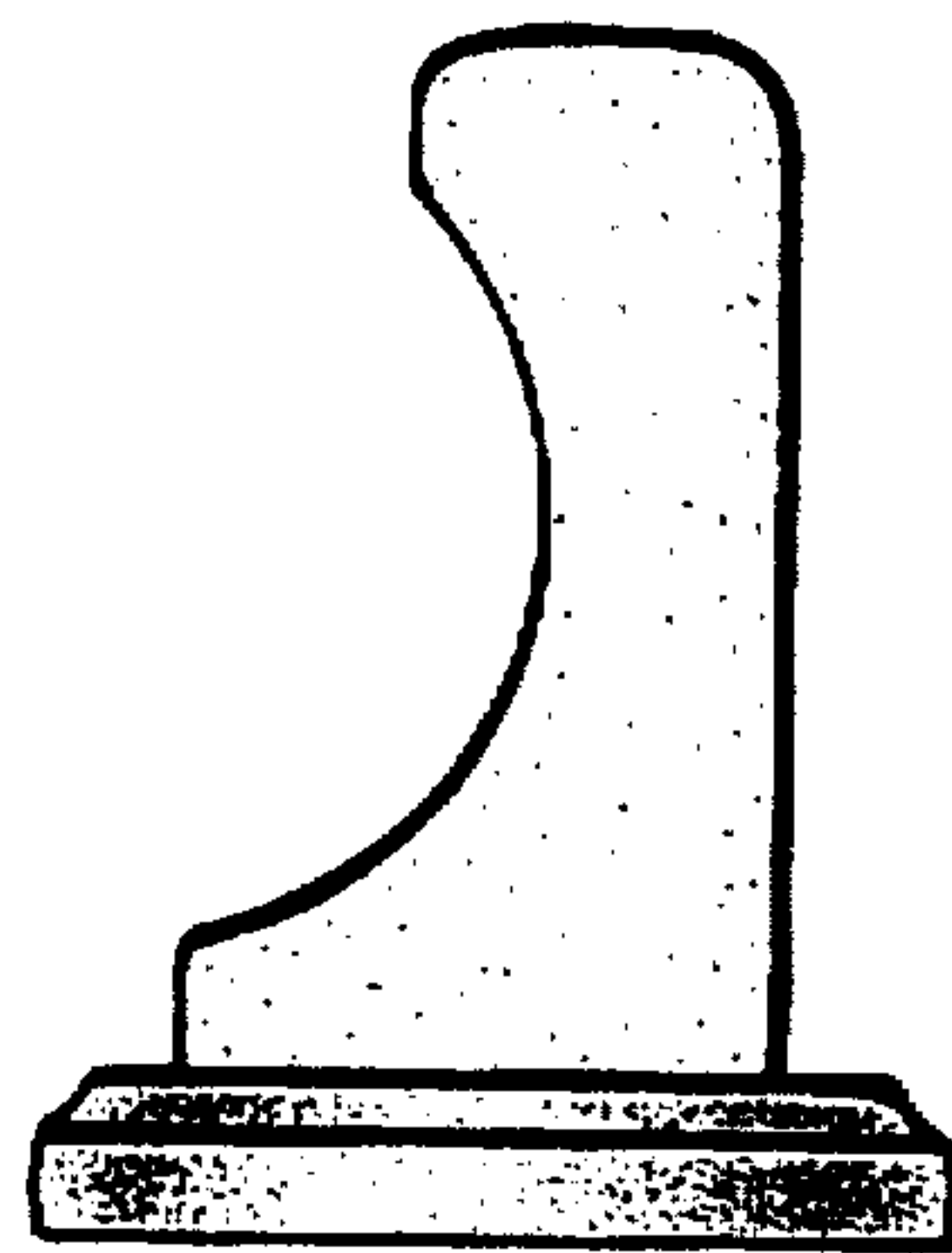


FIG. 4

FIG.6

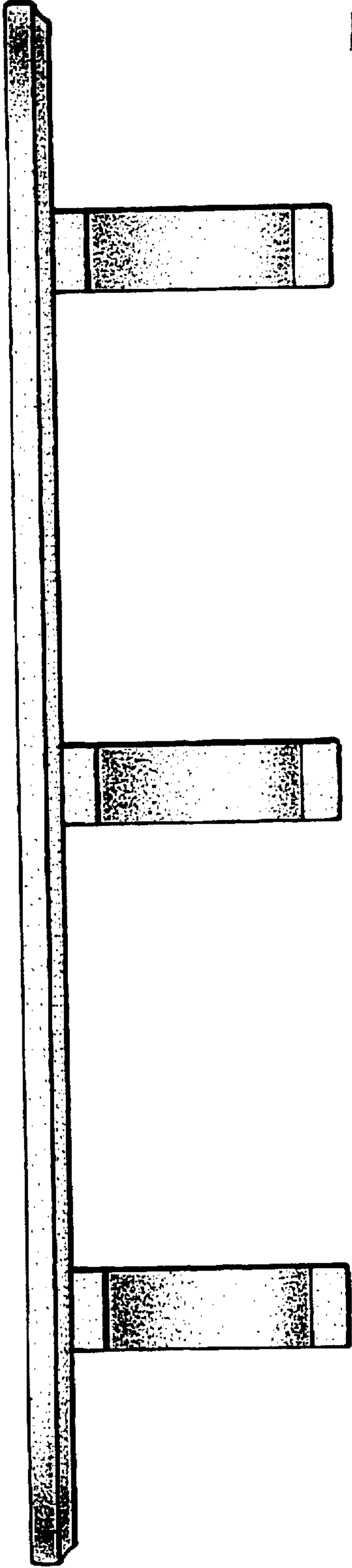


FIG.7

