



US00D390007S

United States Patent [19]
Ahern, Jr.

[11] **Patent Number:** **Des. 390,007**
[45] **Date of Patent:** ****Feb. 3, 1998**

[54] **STORAGE CONTAINER LID**
[75] **Inventor:** **Richard B. Ahern, Jr., Akron, Ohio**
[73] **Assignee:** **Rubbermaid Incorporated, Wooster, Ohio**
[**] **Term:** **14 Years**

D. 355,766 2/1995 Miller .
D. 358,328 5/1995 Huerto et al. .
D. 358,765 5/1995 Dickinson et al. .
D. 358,768 5/1995 Berggren D9/435
D. 361,511 8/1995 Dickinson et al. .
D. 362,117 9/1995 Koenig et al. .
D. 363,663 10/1995 Plater .
D. 367,361 2/1996 Kobilarcik et al. .

(List continued on next page.)

[21] **Appl. No.:** **57,348**
[22] **Filed:** **Jul. 23, 1996**
[51] **LOC (6) Cl.** **03-99**
[52] **U.S. Cl.** **D3/323**
[58] **Field of Search** **D3/323, 326, 273,**
D3/276; D9/420-425, 435, 443; 220/345,
349, 351, 352, 356, 306, 334, 337, 339;
206/508

FOREIGN PATENT DOCUMENTS

9206009 4/1992 WIPO .

OTHER PUBLICATIONS

Label, Lid for storage container; Rhenanit, address unknown. Published at least as early as 1994.
Sell sheet, Lid for storage container; Sunware, address unknown. Published at least as early as Jun., 1995.
Label, Lid for storage container; Contico Manufacturing Company, 1101 Warson Road, St. Louis, Missouri 63132. Published at least as early as May, 1993.
P. 10, Lids for storage containers; Contico Manufacturing Company, 1101 Warson Road, St. Louis, Missouri 63132. Publication date 1991-92.

(List continued on next page.)

Primary Examiner—Prabhakar G. Deshmukh
Attorney, Agent, or Firm—Richard B. O'Planick; Lisa B. Riedesel

[56] **References Cited**

U.S. PATENT DOCUMENTS

D. 168,205 11/1952 Baustian et al. .
D. 238,051 12/1975 Fier, Jr. .
D. 238,148 12/1975 Dilot .
D. 246,828 1/1978 White .
D. 249,930 10/1978 Seager .
D. 258,723 3/1981 Cornou .
D. 286,937 11/1986 Schafer .
D. 302,774 8/1989 Murphy .
D. 308,340 6/1990 Ilsen et al. .
D. 312,573 12/1990 Poirier .
D. 316,674 5/1991 Poirier .
D. 319,016 8/1991 Kahl .
D. 319,977 9/1991 Curry .
D. 321,091 10/1991 Dickinson .
D. 328,425 8/1992 Brightbill .
D. 329,747 9/1992 Embree .
D. 330,329 10/1992 Brightbill .
D. 334,662 4/1993 van Berne .
D. 339,471 9/1993 Maple et al. .
D. 342,364 12/1993 Hobson .
D. 342,609 12/1993 Brightbill .
D. 347,324 5/1994 Dickinson .
D. 348,394 7/1994 Dreyer .
D. 349,646 8/1994 Dickinson .
D. 355,118 2/1995 Dickinson et al. .
D. 355,765 2/1995 Miller .

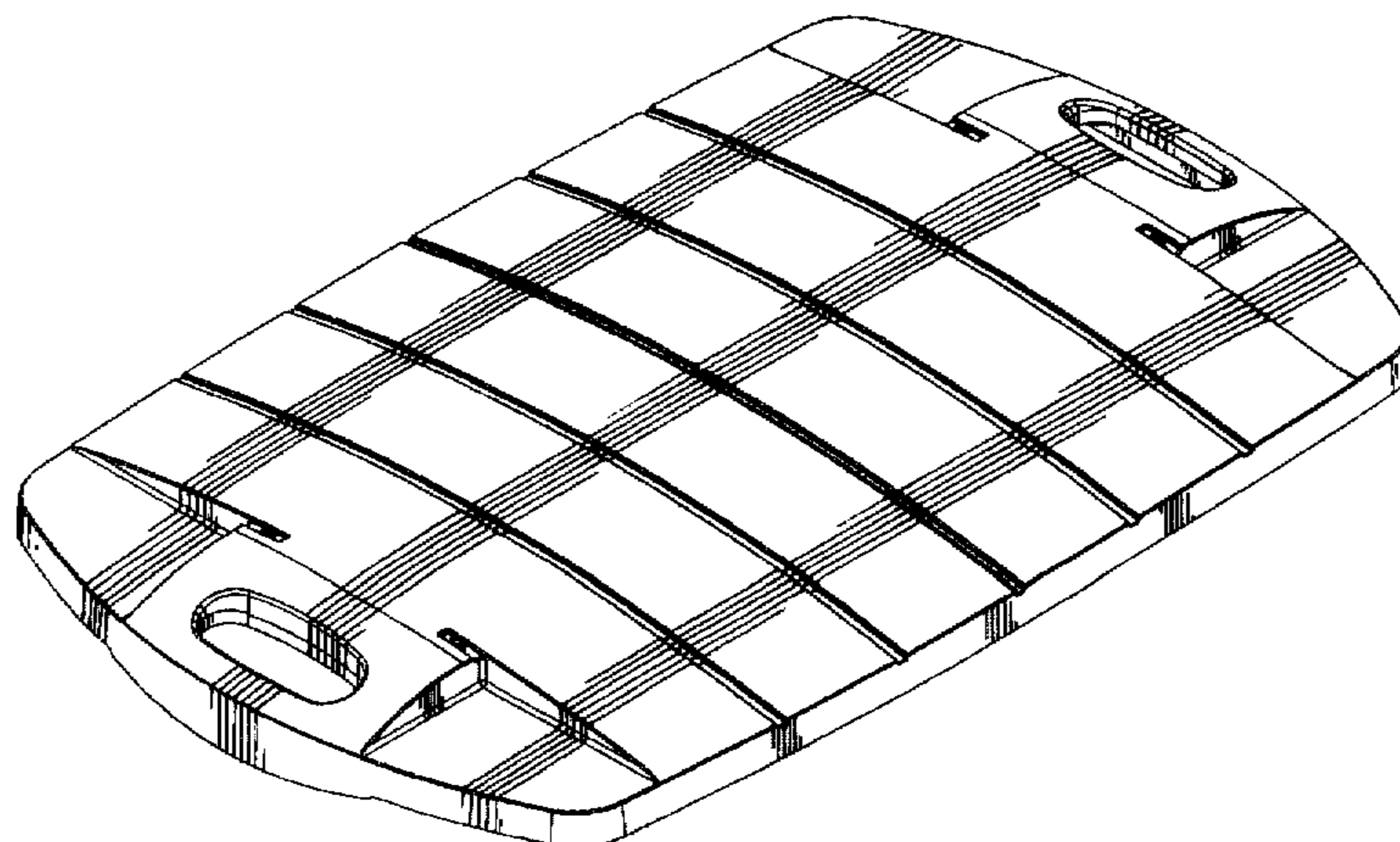
[57] **CLAIM**

The ornamental design for a storage container lid, as shown and described.

DESCRIPTION

FIG. 1 is a top left front perspective view of a storage container lid showing my new design;
FIG. 2 is a right side elevational view thereof; the left side elevational view being a mirror image;
FIG. 3 is a top plan view thereof;
FIG. 4 is a front elevational view thereof; the rear elevational view being a mirror image; and,
FIG. 5 is a bottom plan view thereof.

1 Claim, 5 Drawing Sheets



U.S. PATENT DOCUMENTS

D. 367,609	3/1996	Frank et al. .	
D. 367,958	3/1996	Tisbo et al. .	
D. 368,161	3/1996	Miller .	
D. 368,162	3/1996	Miller .	
D. 376,260	12/1996	Haley et al.	D3/326 X
D. 376,693	12/1996	Wolff	D3/323
3,351,227	11/1967	Collie .	
3,419,184	12/1968	Asenbauer .	
3,477,609	11/1969	Winkler, Jr.	220/784
3,556,339	1/1971	Lind .	
3,741,433	6/1973	Bentley .	
3,894,654	7/1975	Frankenberg	220/283
3,938,688	2/1976	Ryan .	
3,984,027	10/1976	Smith	229/406 X
3,987,829	10/1976	Leone .	
4,499,997	2/1985	Swingley, Jr. .	
4,499,998	2/1985	Carlson .	
4,593,816	6/1986	Langenbeck .	
4,863,023	9/1989	Payne et al. .	
4,982,863	1/1991	Skillius .	
5,011,013	4/1991	Meisner et al. .	
5,193,706	3/1993	Hanna et al.	220/334 X
5,366,104	11/1994	Armstrong .	
5,555,974	9/1996	Donald et al.	220/790 X

OTHER PUBLICATIONS

Catalog page, Lid for storage container; Frem Corporation, 60 Webster Place, Box 4, Worcester, Massachusetts 01603. Published at least as early as 1993.

P. 5, Lid for storage container; Sterilite Corporation, P. O. Box 524, Townsend, Massachusetts 01469. Published at least as early as Feb., 1996.

Catalog page, Lids for storage container; Sterilite Corporation, P. O. Box 524, Townsend, Massachusetts 01469. Publication date 1990.

P. 2, Lid for storage container; Sterilite Corporation, P. O. Box 524, Townsend, Massachusetts 01469. Publication date 1993.

Sell sheet, Lids for storage containers; Sterilite Corporation, P. O. Box 524, Townsend, Massachusetts 01469. Published at least as early as 1992.

Sell sheet, Lids for storage containers; Sterilite Corporation, P. O. Box 524, Townsend, Massachusetts 01469. Publication date 1991.

Sell sheet, Lids for storage containers; Coast-to-Coast Container Corp., 94 Pinewood Gardens, Hartsdale, New York 10530. Published at least as early as 1992.

Catalog page, Lid for storage container; Max Klein, Baraboo, Wisconsin 53913. Published at least as early as 1990.

Label; Lid for storage container; Igloo Products Corp., 1001 West Sam Houston Parkway North, P. O. Box 19322, Houston, Texas 77224. Publication date 1993.

Instruction sheet; Lid for storage container; Delta Inc. of Arkansas, 4800 Kruger Drive, Jonesboro, Arkansas 72401. Publication date Oct., 1988.

P. 27, Lid for dock box; Follansbee Dock System, State Street, P. O. Box 610, Follansbee, West Virginia 26037. Published at least as early as Jul., 1990.

Catalog page, Lid for storage container; The Coleman Company, Inc., P. O. Box 2931, Wichita, Kansas 67201. Published at least as early as 1992.

Catalog page, Lid for storage containers; Tucker Housewares, 25 Tucker Drive, Leominster, Massachusetts 01453. Published at least as early as Jan., 1996.

P. 10, Lids for storage containers; Tucker Housewares, 25 Tucker Drive, Leominster, Massachusetts 01453. Publication date 1992-93.

Sell sheet, Lid for storage container; Tucker Housewares, 25 Tucker Drive, Leominster, Massachusetts 01453. Published at least as early as 1991.

P. 2, Lids for storage containers; Rubbermaid Commercial Products Inc., 3124 Valley Avenue, Winchester, Virginia 22601. Publication date 1994.

Sell sheet, Lids for storage containers; Rubbermaid Incorporated, 1147 Akron Road, Wooster, Ohio 44691. Publication date 1994.

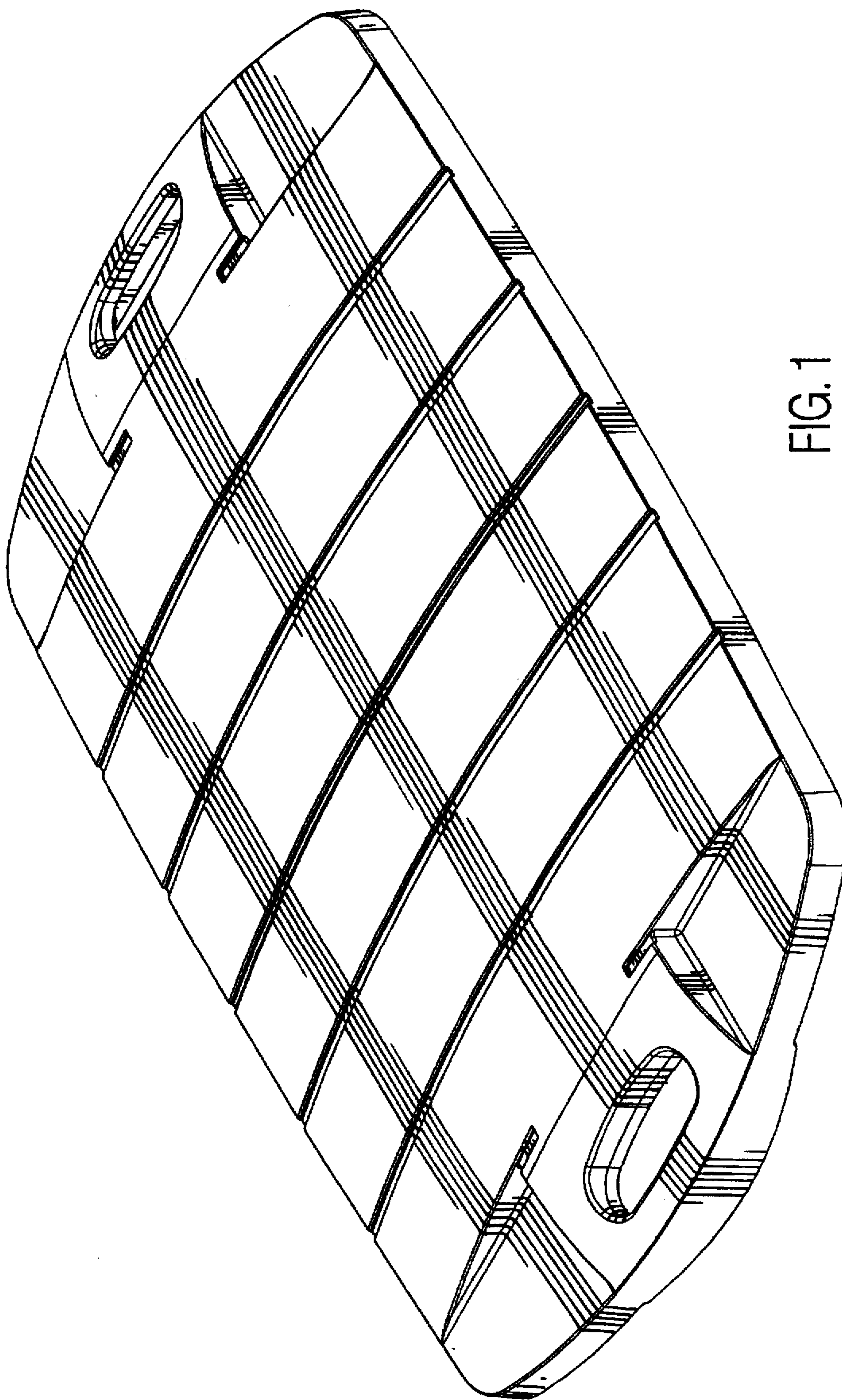


FIG. 1

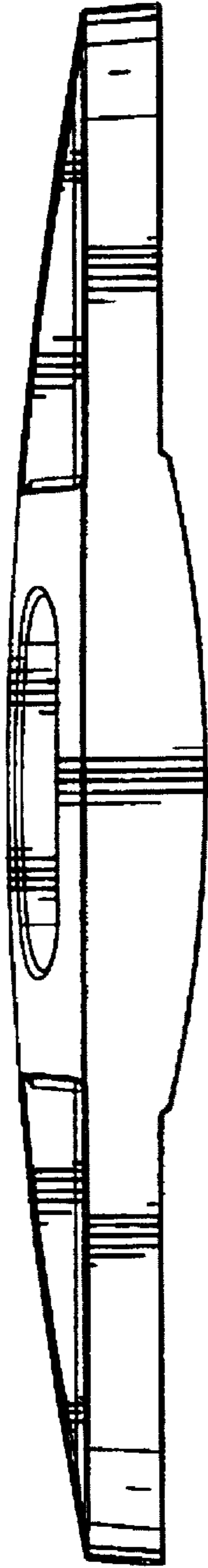


FIG. 2

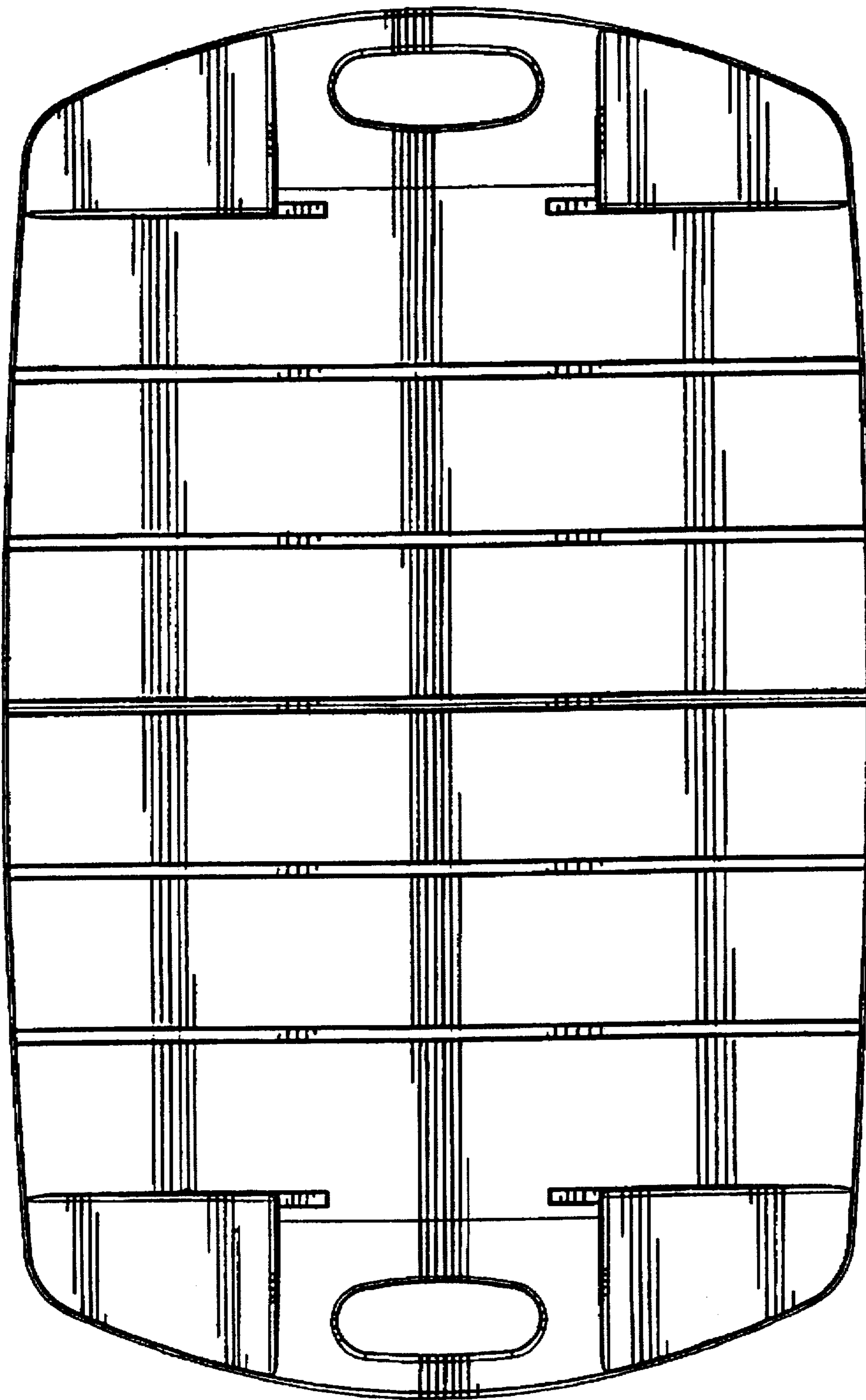


FIG. 3

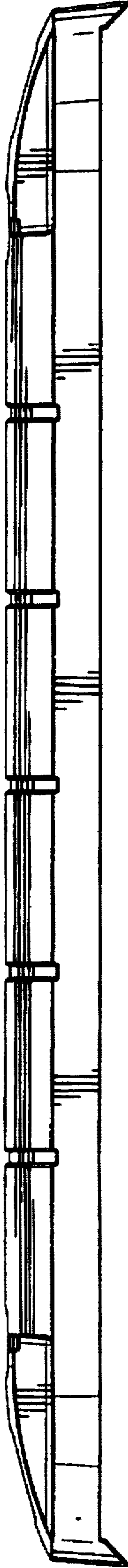


FIG. 4

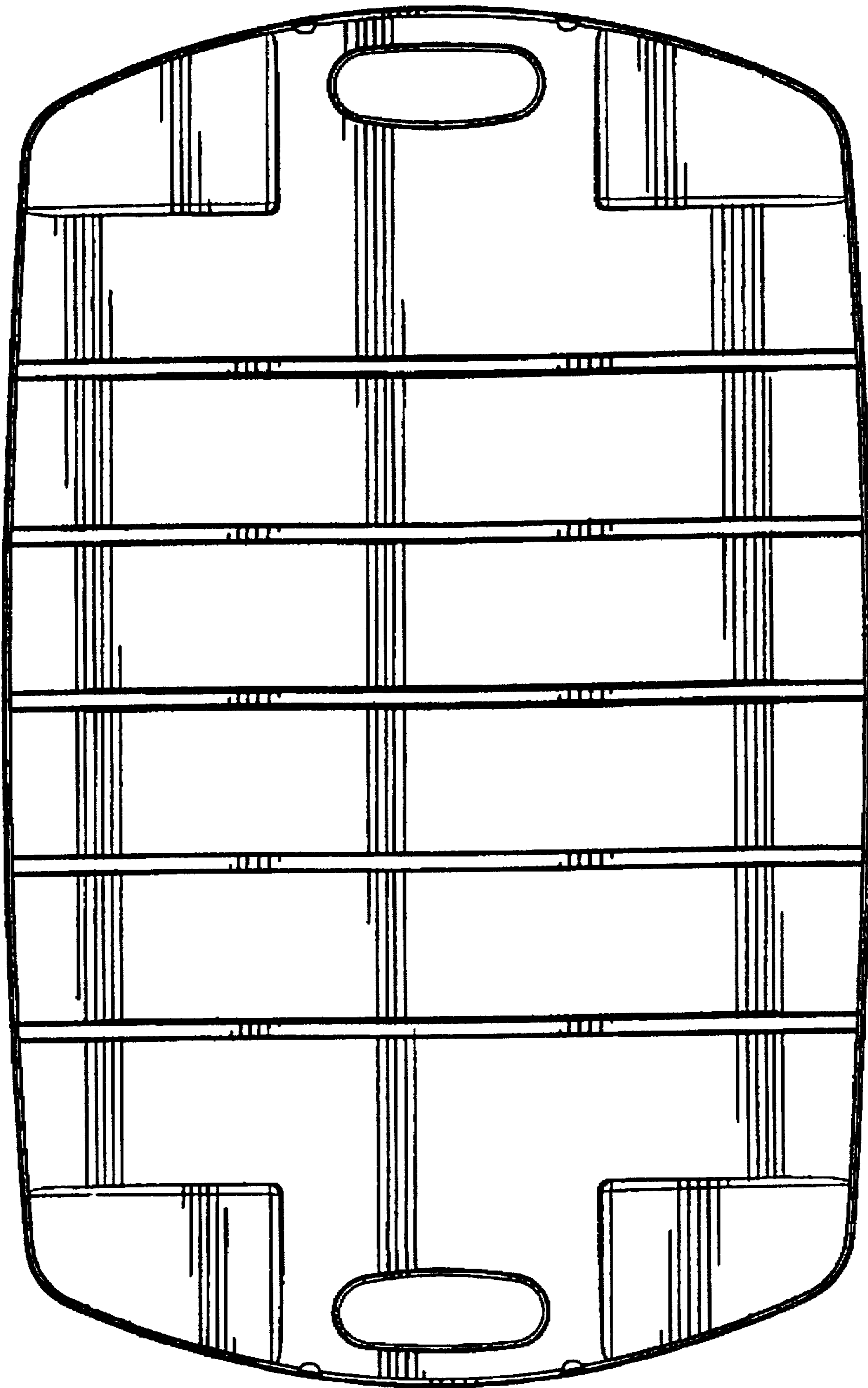


FIG. 5