



US00D390002S

United States Patent [19] Brizard

[11] Patent Number: **Des. 390,002**
[45] Date of Patent: ****Feb. 3, 1998**

[54] **CARRYING CASE**

[75] Inventor: **Cyril Brizard, Malibu, Calif.**

[73] Assignee: **Atoll Enterprises, Malibu, Calif.**

[**] Term: **14 Years**

[21] Appl. No.: **62,320**

[22] Filed: **Nov. 13, 1996**

[51] LOC (6) Cl. **03-01**

[52] U.S. Cl. **D3/229; D27/189**

[58] Field of Search **D27/183, 186, D27/189, 190, 191, 192, 172, 187; 206/248, 260, 265, 236, 256, 266, 267, 270; D3/232, 233, 234, 238, 229; D7/608; 190/20**

[56] **References Cited**

U.S. PATENT DOCUMENTS

D. 93,437	10/1934	Ball	D7/608
D. 117,466	11/1939	Bramming	D7/608
D. 155,074	9/1949	Chase	D27/187 X
264,326	9/1882	Moore	206/266 X
D. 274,209	6/1984	Kikuchi	D7/608
D. 277,335	1/1985	Lieberman	D3/238
D. 287,211	12/1986	Weiss	D7/608
854,820	5/1907	Goodwin	206/256 X
2,157,255	5/1939	Bumpass	206/265 X

OTHER PUBLICATIONS

Insulated Thermos by Coleman, Best Catalog 1971, p. 362 1971.

Primary Examiner—Susan J. Lucas
Assistant Examiner—Jennifer Register
Attorney, Agent, or Firm—Kelly Bauersfeld Lowry & Kelley

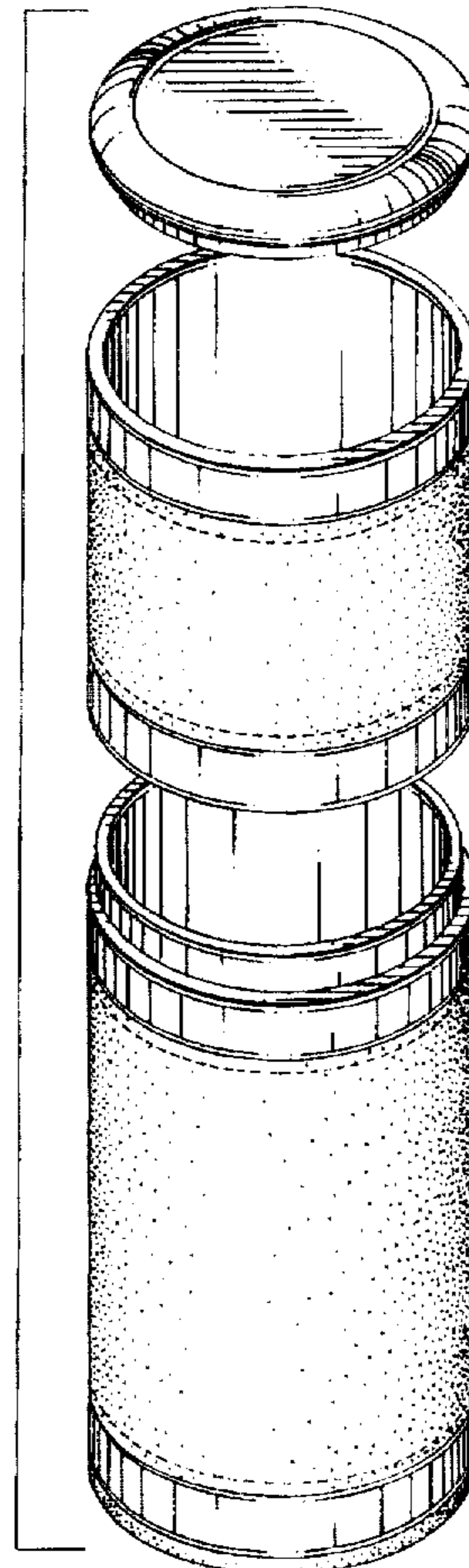
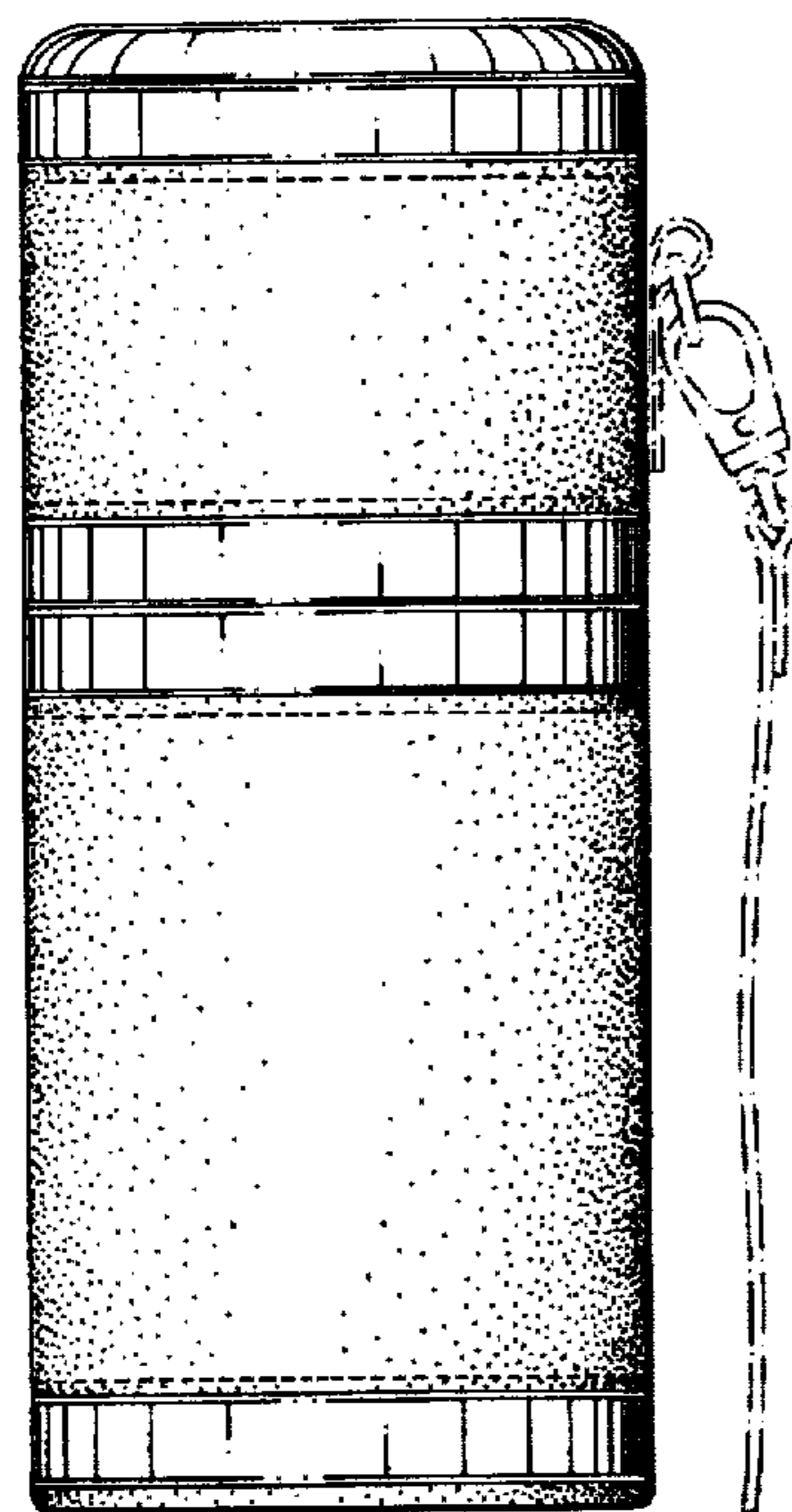
[57] **CLAIM**

The ornamental design for a carrying case, as shown and described.

DESCRIPTION

FIG. 1 is a top and side perspective view of a carrying case embodying my new design;
FIG. 2 is a front side elevational view thereof, the rear elevational view being identical;
FIG. 3 is a left side elevational view thereof, the right side elevational view being identical;
FIG. 4 is a top plan view thereof;
FIG. 5 is a bottom plan view thereof; and,
FIG. 6 is a top and side exploded perspective view thereof. The broken line illustrations of attachment ears, a fastener and a strap in FIGS. 2-5 are for illustrative purposes only and for no portion of the claimed design.

1 Claim, 2 Drawing Sheets



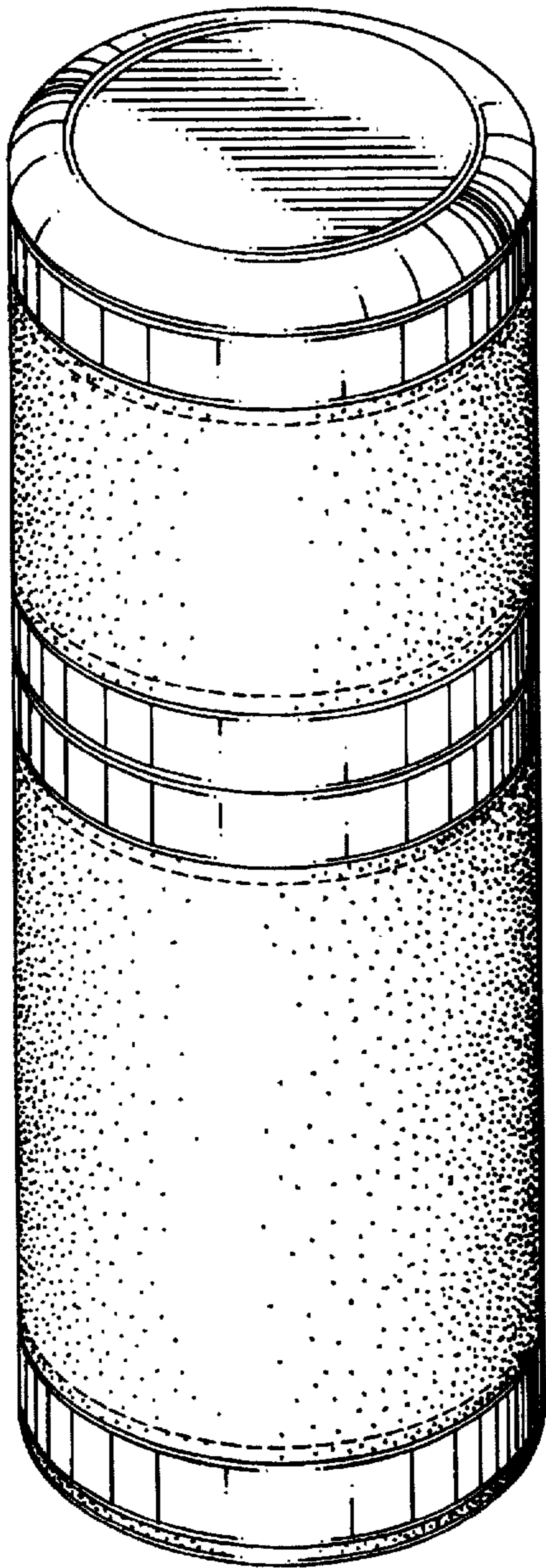


FIG 1

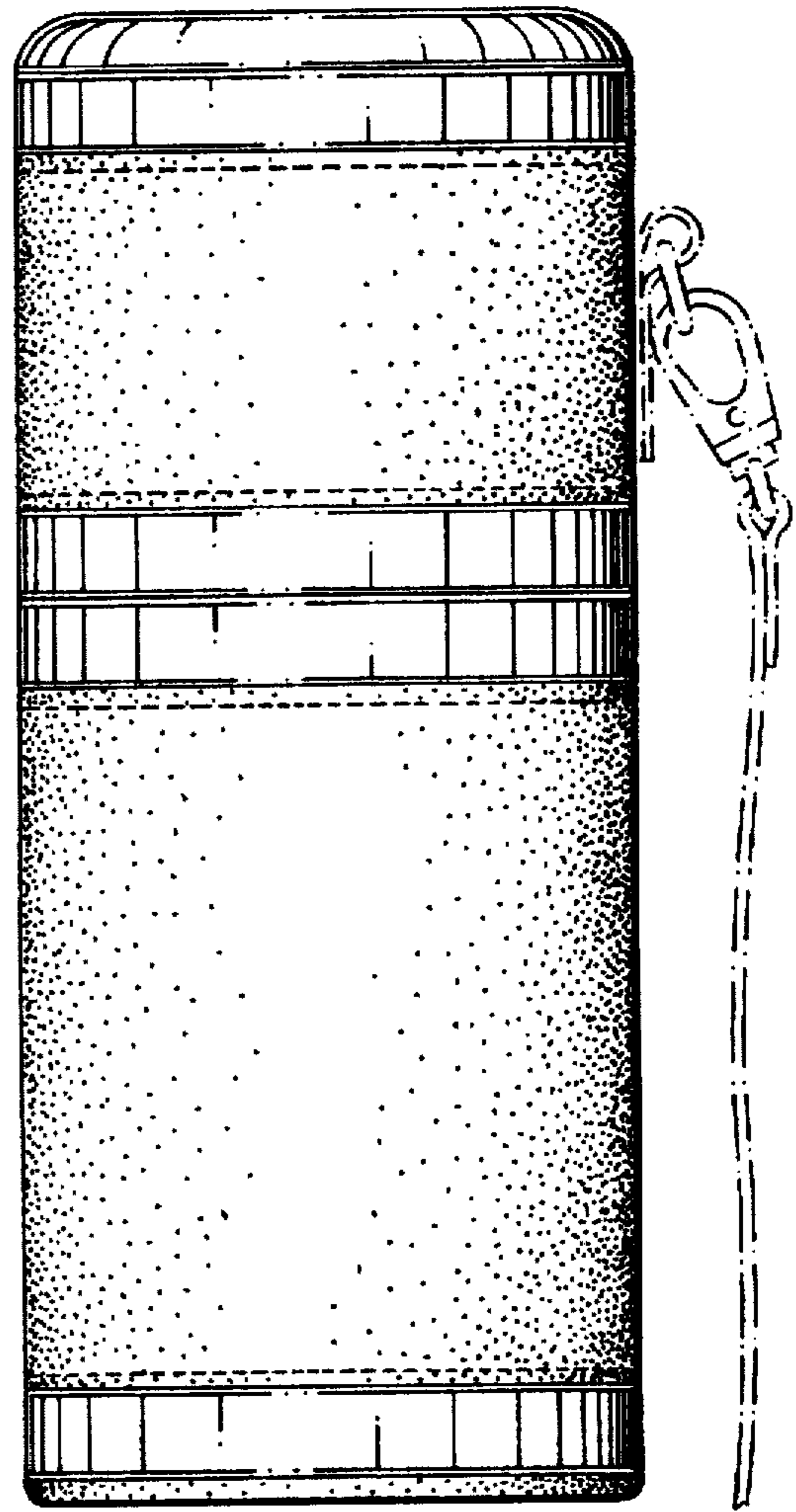


FIG 2

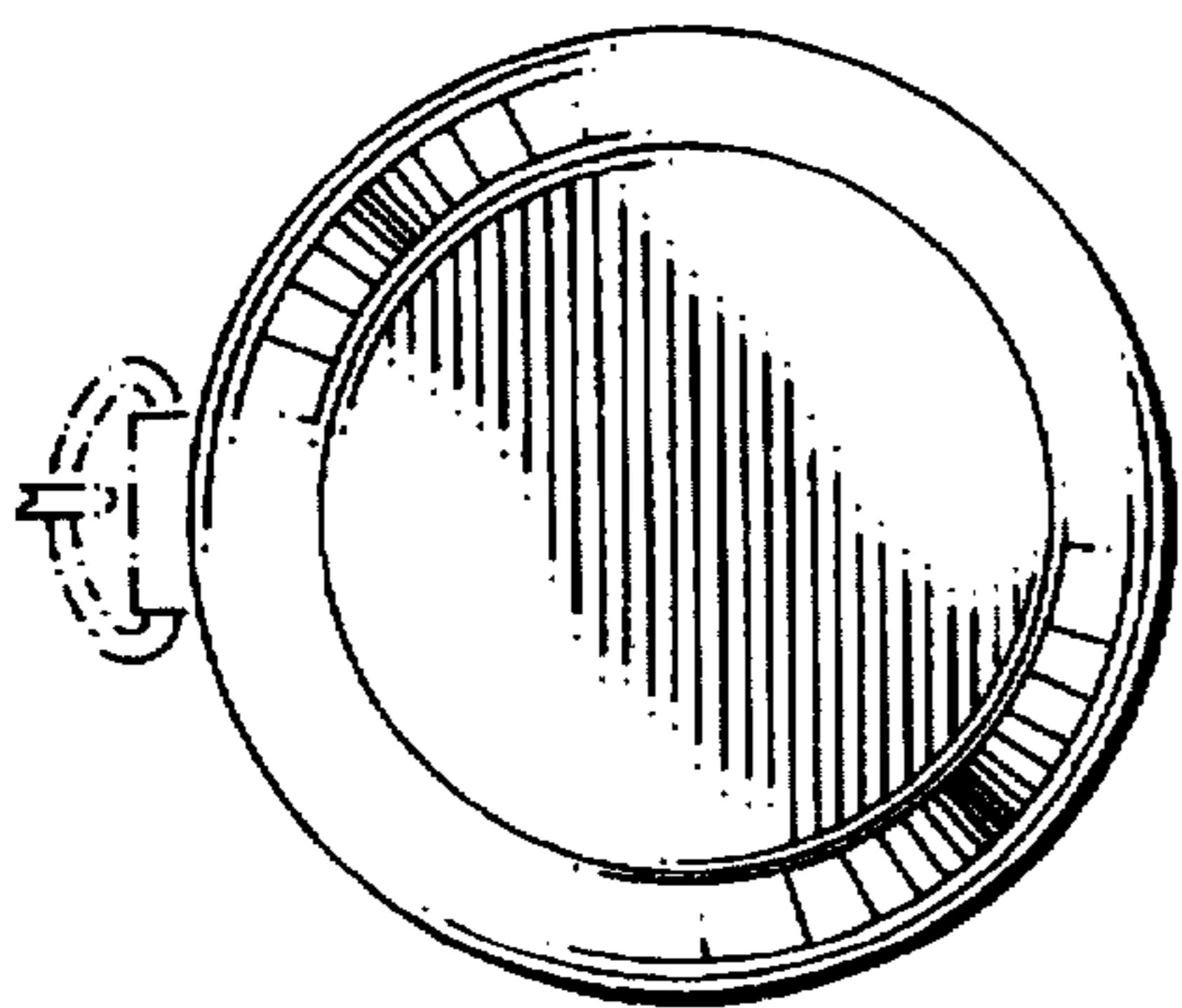


FIG 4

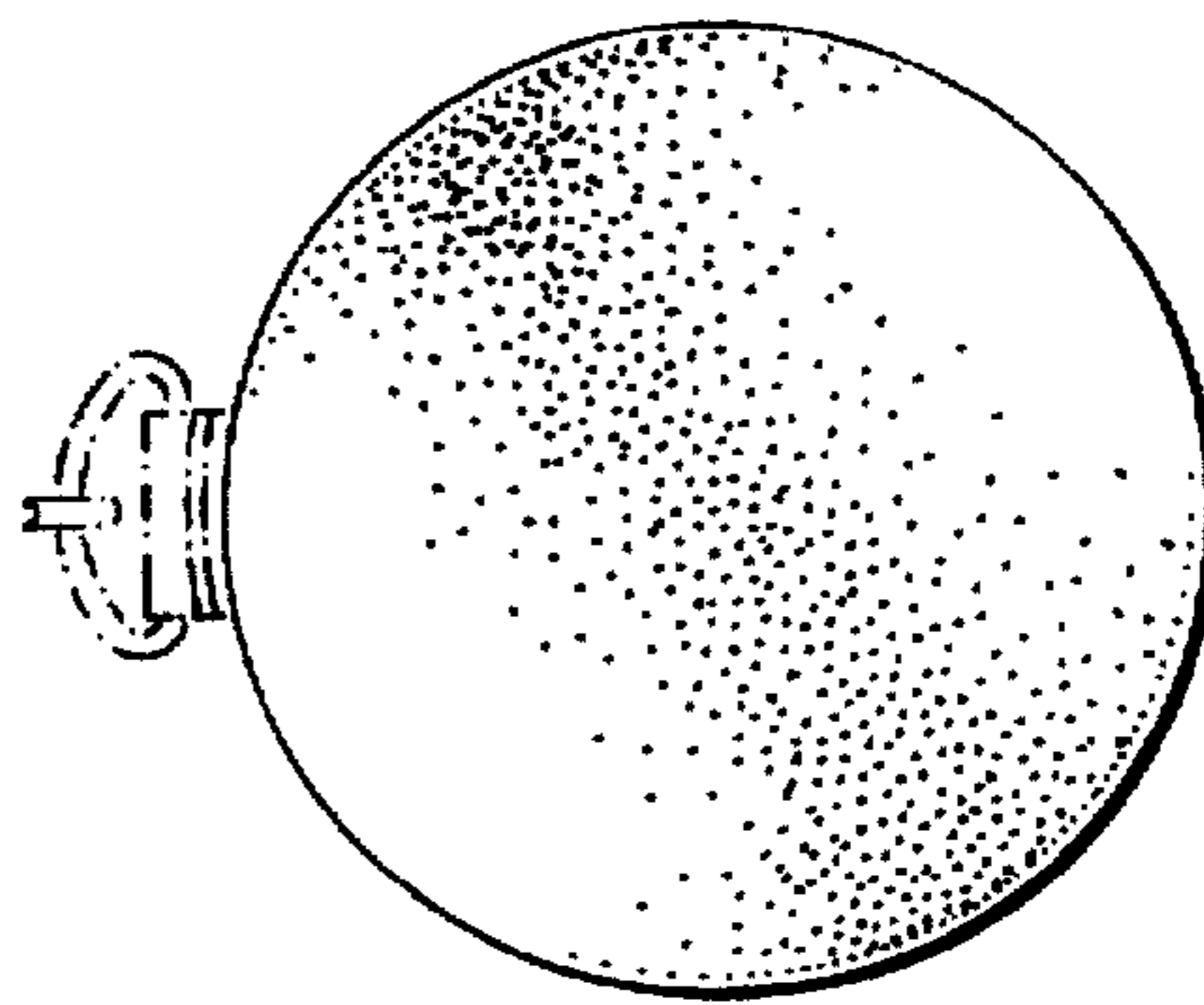


FIG 5

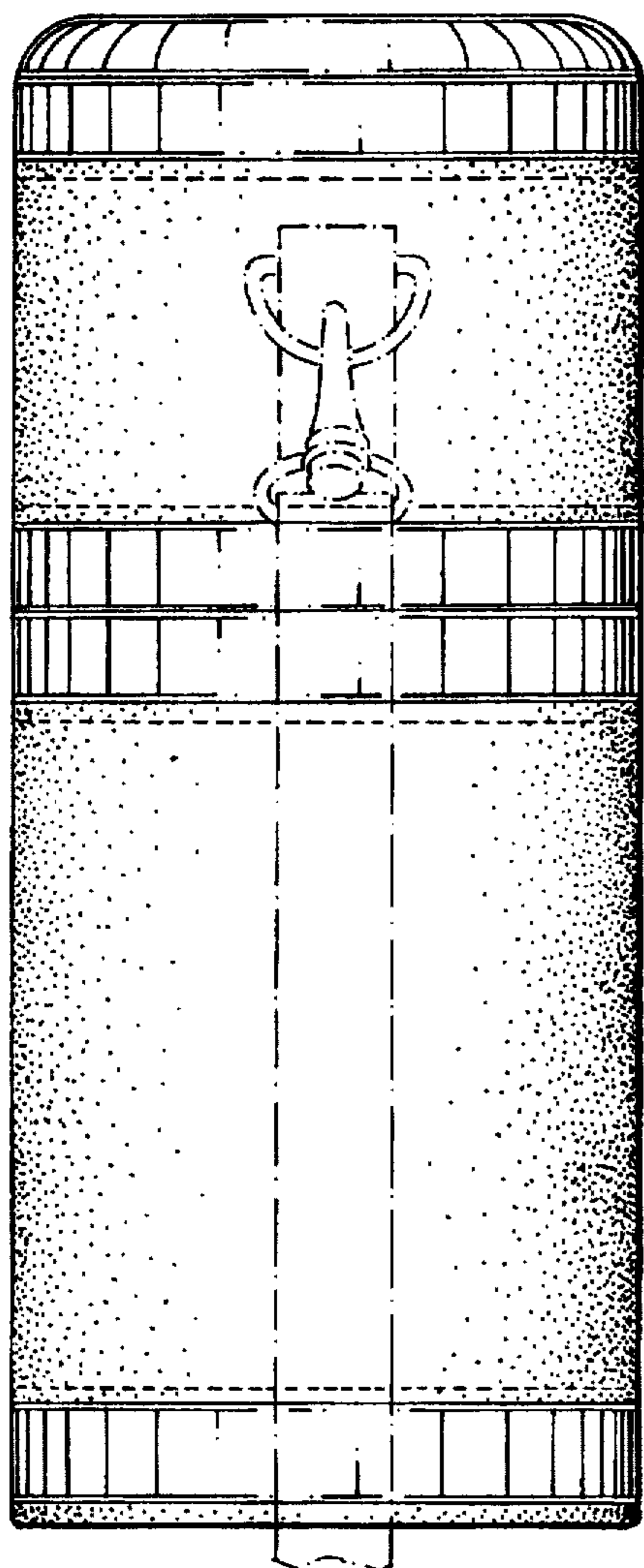


FIG. 3

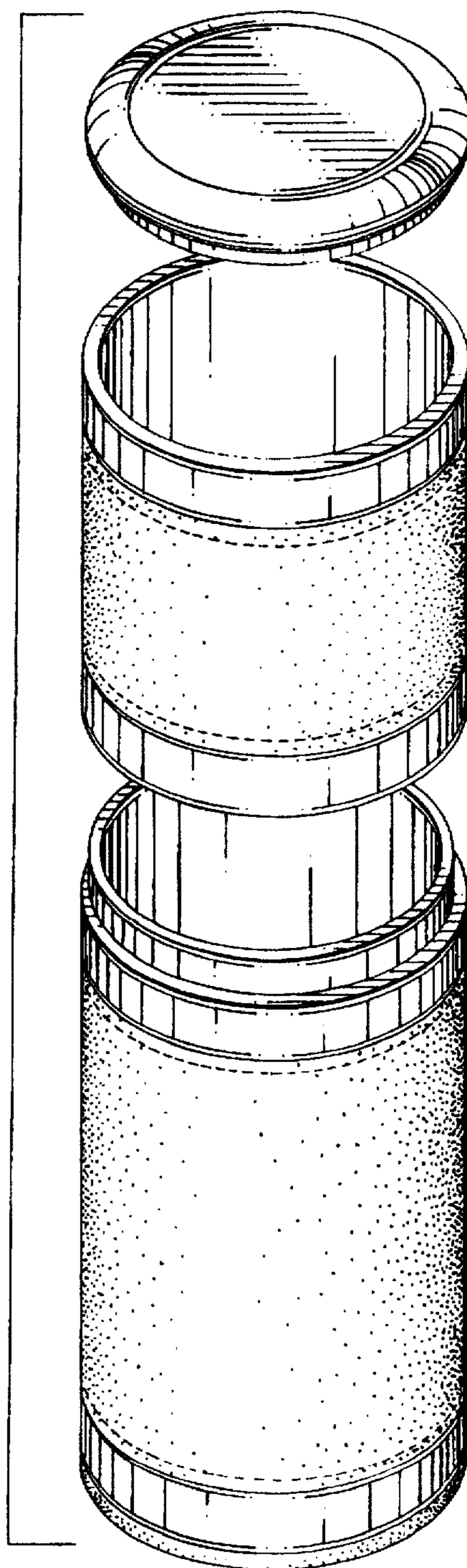


FIG. 6