



US00D390000S

United States Patent [19]

[11] Patent Number: **Des. 390,000**

Savas

[45] Date of Patent: ****Feb. 3, 1998**

[54] **COIN AND KEY HOLDER**

[76] Inventor: **Jami Savas, 2709 Lafayette Ave., Greensboro, N.C. 27408**

[**] Term: **14 Years**

[21] Appl. No.: **46,143**

[22] Filed: **Nov. 8, 1995**

[51] LOC (6) Cl. **03-01**

[52] U.S. Cl. **D3/208; D99/34**

[58] Field of Search **D11/1-3, 7, 10; 70/456, 456 B, 456 R, 457; D3/207-212, 232, 250, 251; D99/34**

4,760,715	8/1988	Ramos, Jr.	63/5.2
4,765,459	8/1988	Edwards	206/38.1
4,854,449	8/1989	Fitzhugh	206/37
4,934,521	6/1990	Gebert	206/37.1
5,370,219	12/1994	Violet, Jr.	206/38

Primary Examiner—Ralf Seifert
Attorney, Agent, or Firm—Troutman Sanders LLP; Joel S. Goldman, Esq.

[57] CLAIM

The ornamental design for a coin and key holder, as shown and described.

DESCRIPTION

FIG. 1 is a top, front, left side perspective view of the coin and key holder, showing my new design; the broken line showing of a hand and wrist is for illustrative purposes only, and forms no part of the claimed design;

FIG. 2 is a top plan view thereof;

FIG. 3 is a bottom plan view thereof;

FIG. 4 is a front elevational view thereof;

FIG. 5 is a left side elevational view thereof;

FIG. 6 is a right side elevational view thereof; and,

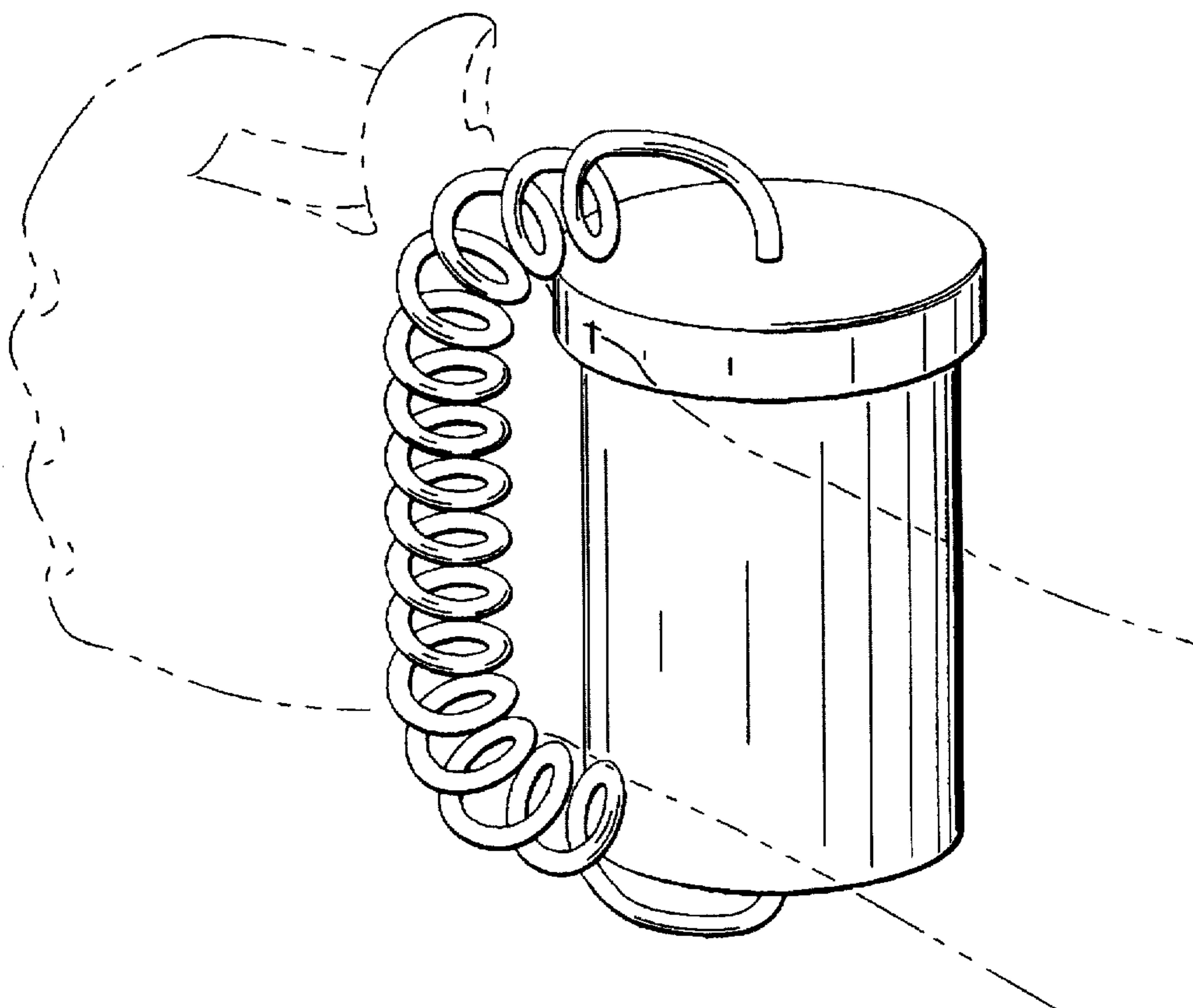
FIG. 7 is a top, front perspective view of the coin and key holder in an open, extended position, illustrating my new design; the broken line showing of a key and key ring is for illustrative purposes only, and forms no part of the claimed design.

1 Claim, 2 Drawing Sheets

[56] References Cited

U.S. PATENT DOCUMENTS

D. 336,778	6/1993	Miller	D3/208
D. 337,885	8/1993	O'Brien	D3/62
D. 341,015	11/1993	Zamudio-Fiedler	D99/34
D. 349,399	8/1994	Di Paolo et al.	D3/208
D. 360,070	7/1995	Di Paolo et al.	D3/208
1,102,379	7/1914	Zoller	70/456
2,699,667	1/1955	Mark et al.	70/456 R
3,124,286	3/1964	Dompier	70/457
3,966,183	6/1976	Mayer, Sr.	267/167
3,968,669	7/1976	Coleman	70/456.12
4,460,174	7/1984	Perry	70/456 R
4,733,807	3/1988	Porter et al.	224/202



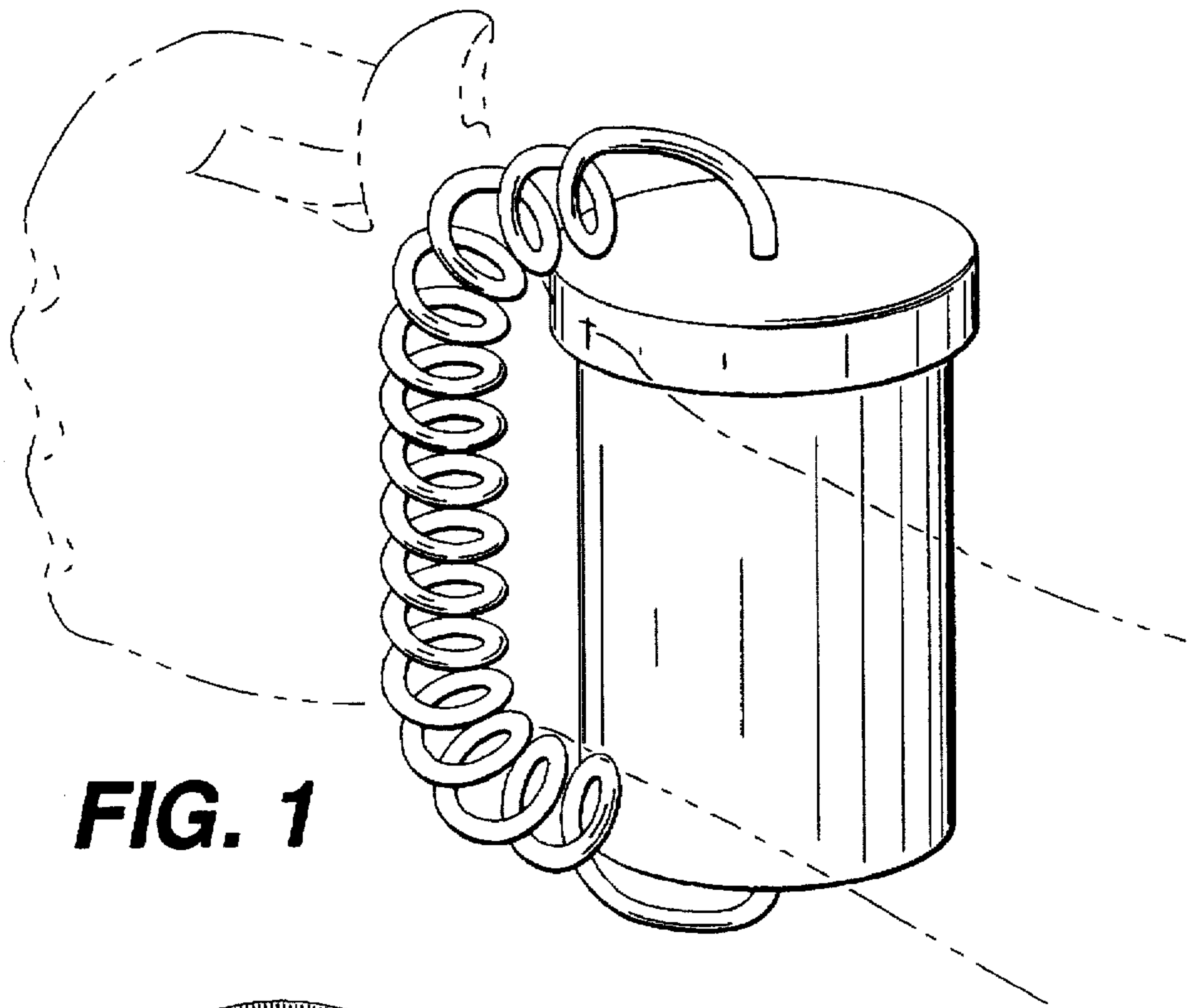


FIG. 1

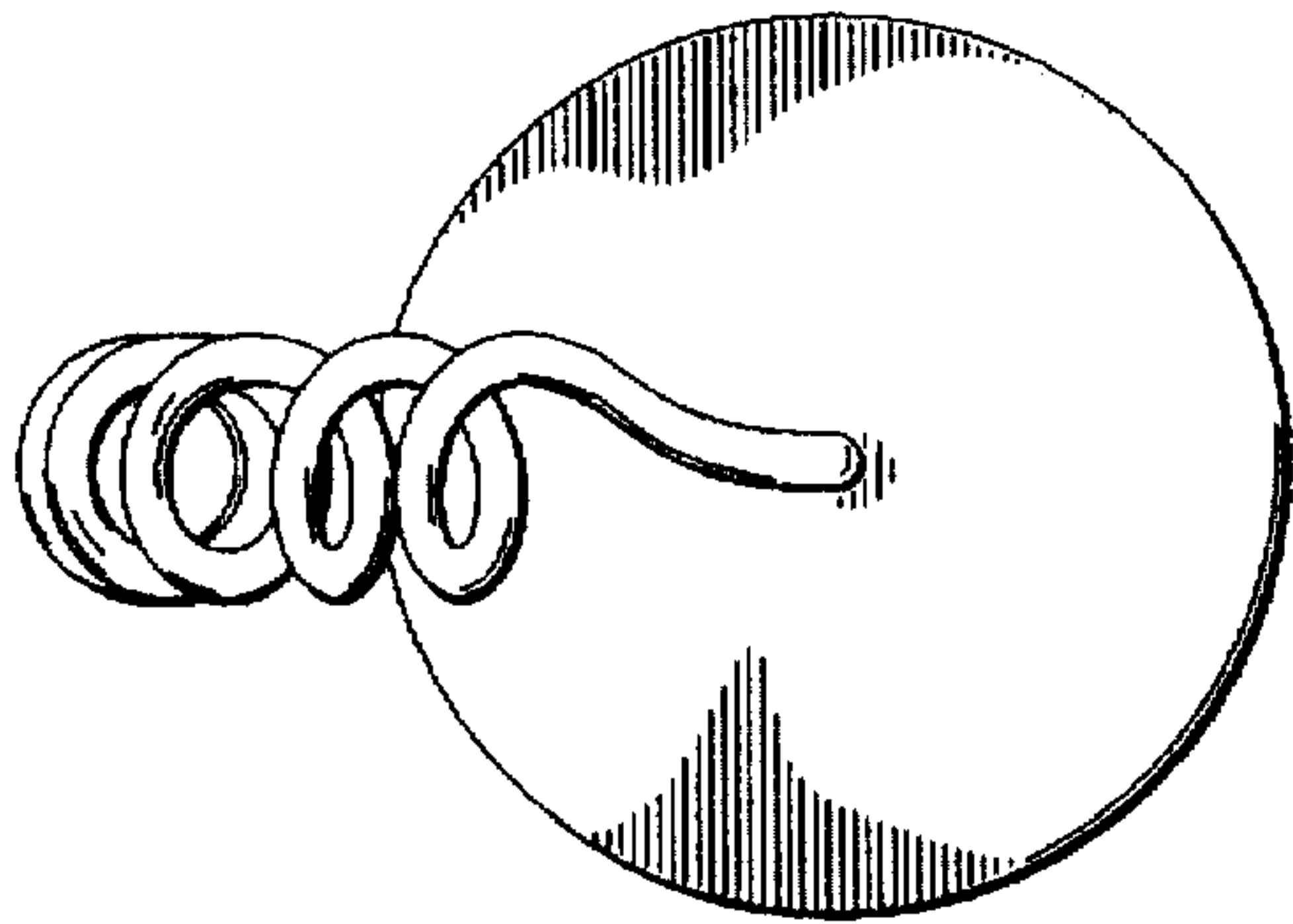


FIG. 2

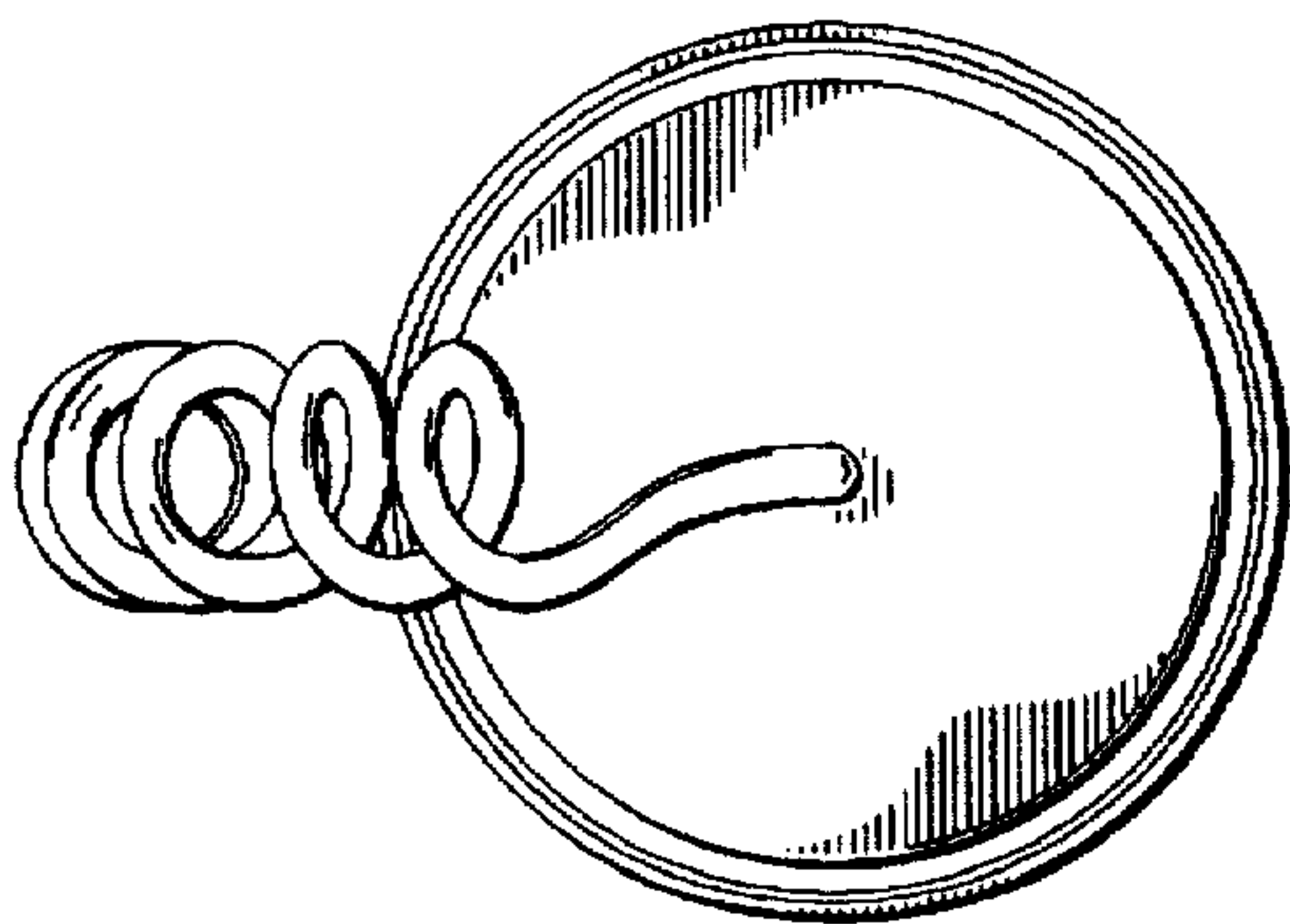


FIG. 3

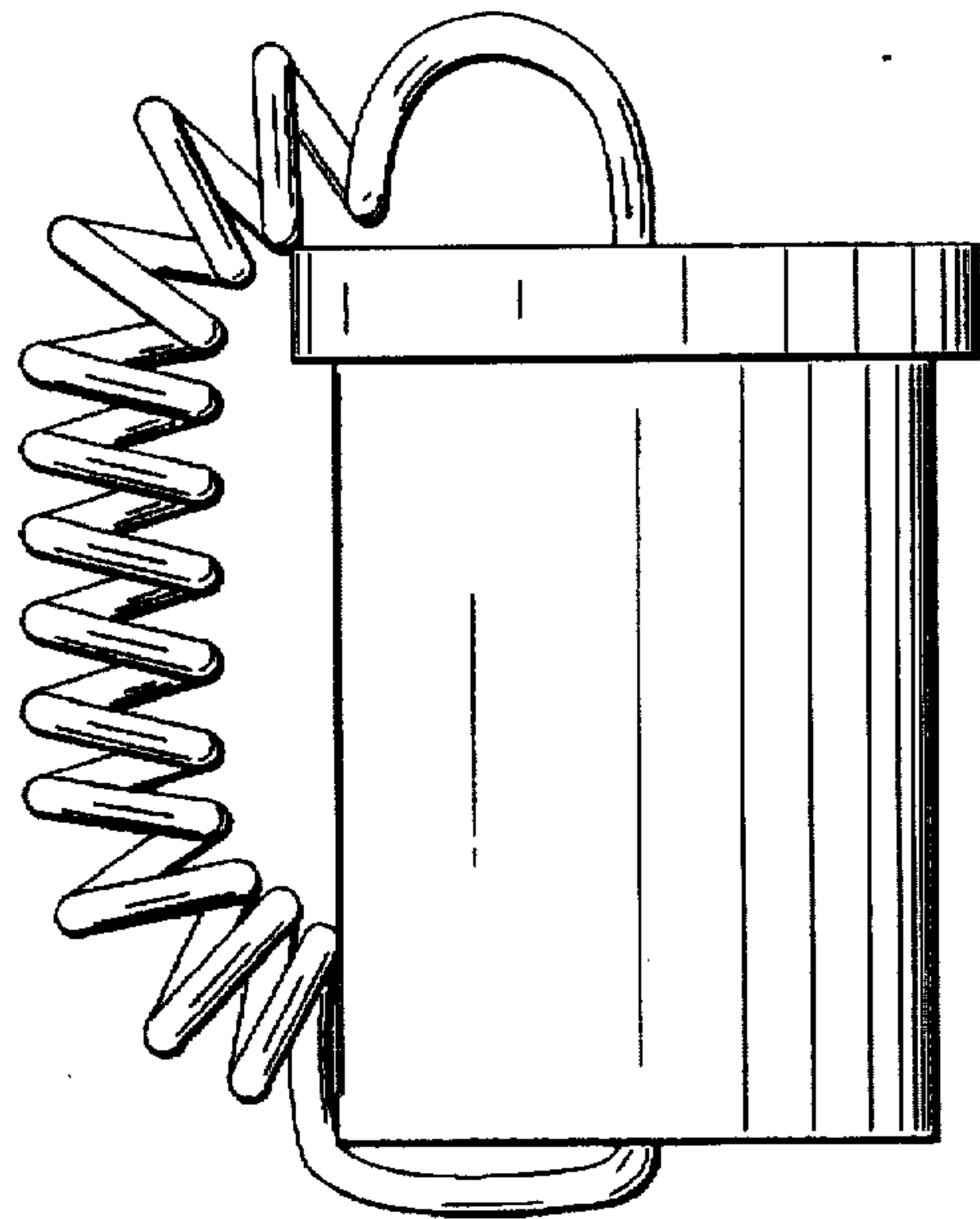


FIG. 4

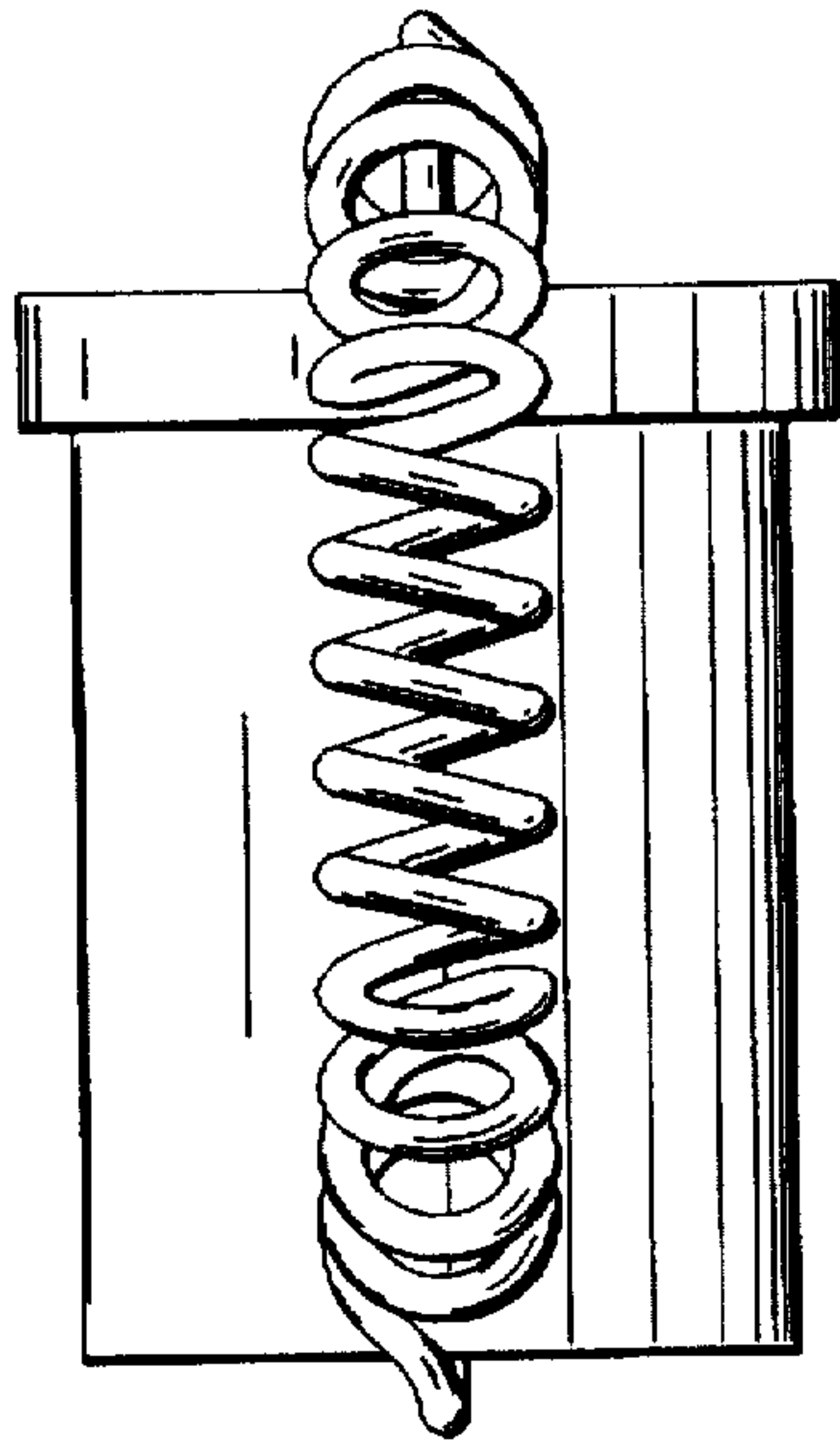


FIG. 5

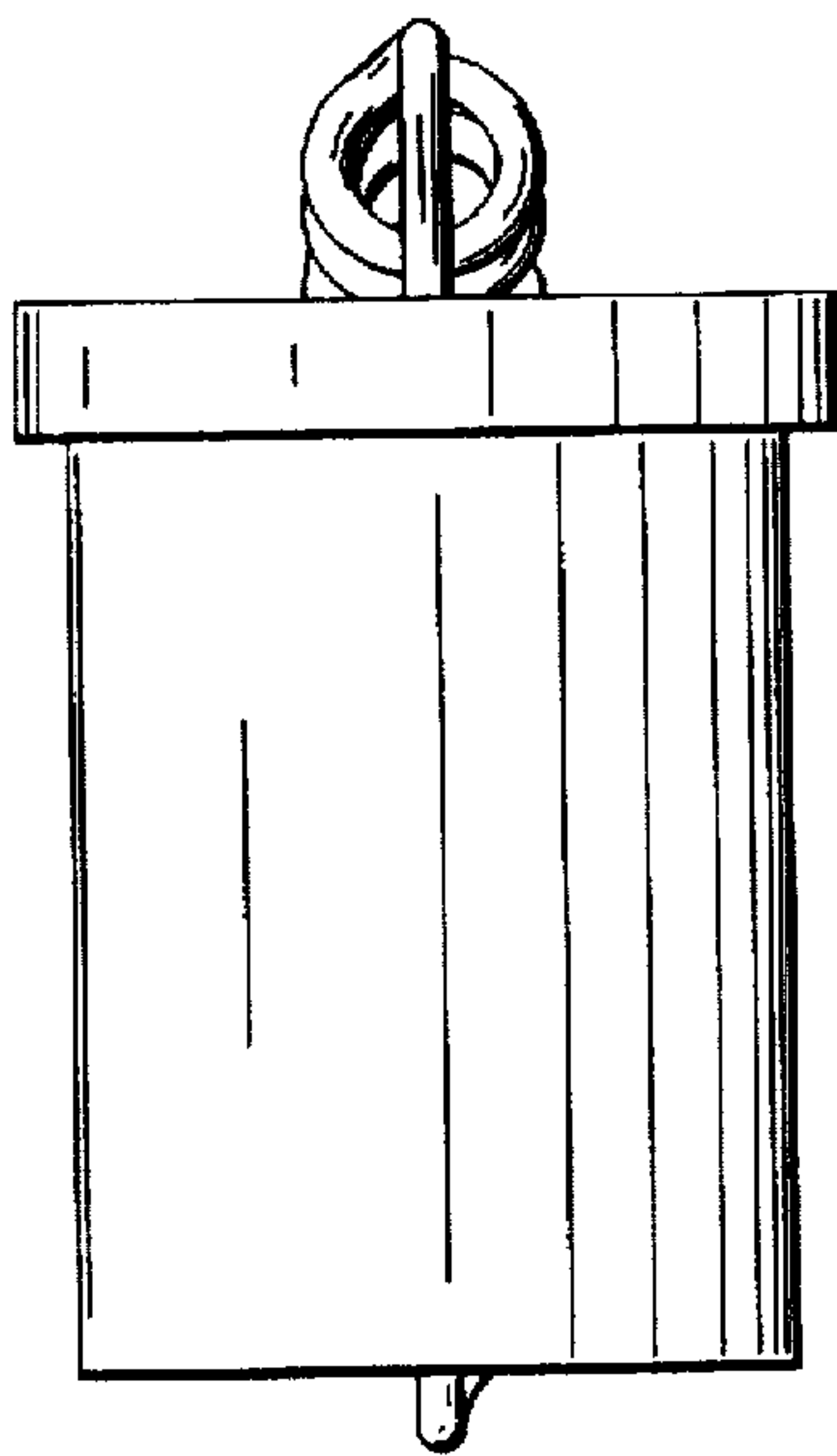


FIG. 6

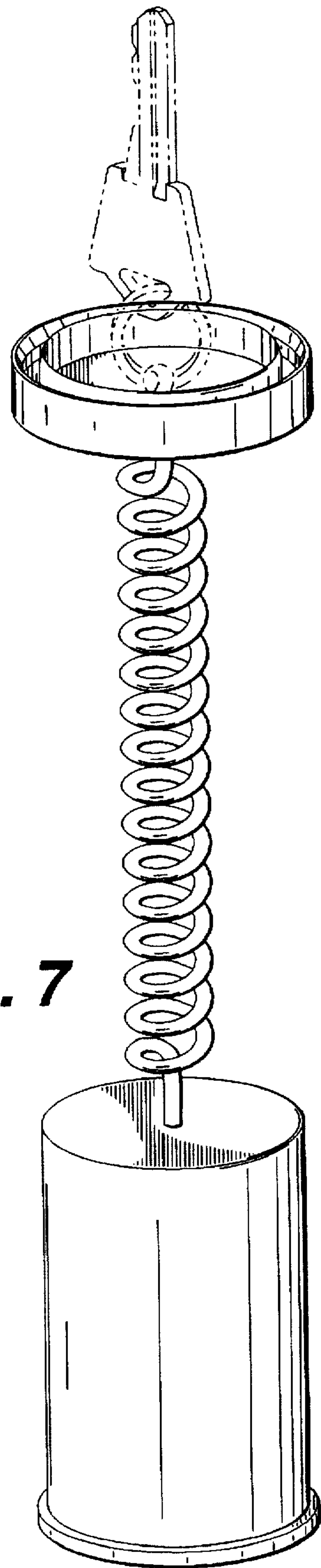


FIG. 7