



US00D389989S

United States Patent [19]

Pilz

[11] Patent Number: **Des. 389,989**

[45] Date of Patent: ****Feb. 3, 1998**

[54] **BOOT GUARD**

[76] Inventor: **Don Pilz**, 1014 Second Ave., San Mateo, Calif. 94401

[**] Term: **14 Years**

[21] Appl. No.: **54,424**

[22] Filed: **May 17, 1996**

[51] LOC (6) Cl. **02-04**

[52] U.S. Cl. **D2/913; D2/909**

[58] Field of Search **D2/913, 909, 946, D2/915; 36/101, 100, 72 R, 72 A, 7.1 R, 7.2, 7.4, 77 R, 54**

[56] **References Cited**

U.S. PATENT DOCUMENTS

D. 291,621	9/1987	Herman	D2/913
D. 308,903	7/1990	Rosas	D2/913
D. 322,152	12/1991	Irons	D2/913
3,045,367	7/1962	McKeon	36/72 R
3,206,874	9/1965	Ellis et al.	D2/915 X
3,470,630	10/1969	Wilmanns et al.	36/72 R
3,518,781	7/1970	De Vita	36/72 R

4,333,248	6/1982	Samuels	36/72 R
4,991,318	2/1991	Cornell	36/72 R
5,331,751	7/1994	Harwood	36/72 R X
5,365,677	11/1994	Dalhgren	36/54 X

Primary Examiner—Doris V. Coles
Attorney, Agent, or Firm—Harold H. Dutton, Jr.

[57] **CLAIM**

The ornamental design for a boot guard, as shown.

DESCRIPTION

FIG. 1 is a perspective view of a boot guard showing my new design;
FIG. 2 is a front view thereof;
FIG. 3 is a rear view thereof;
FIG. 4 is a right side view thereof;
FIG. 5 is a left side view thereof;
FIG. 6 is a top view thereof; and,
FIG. 7 is a bottom view thereof.
The broken line showing of part of a boot in FIG. 1 is for illustrative purposes only and forms no part of the claimed design.

1 Claim, 5 Drawing Sheets

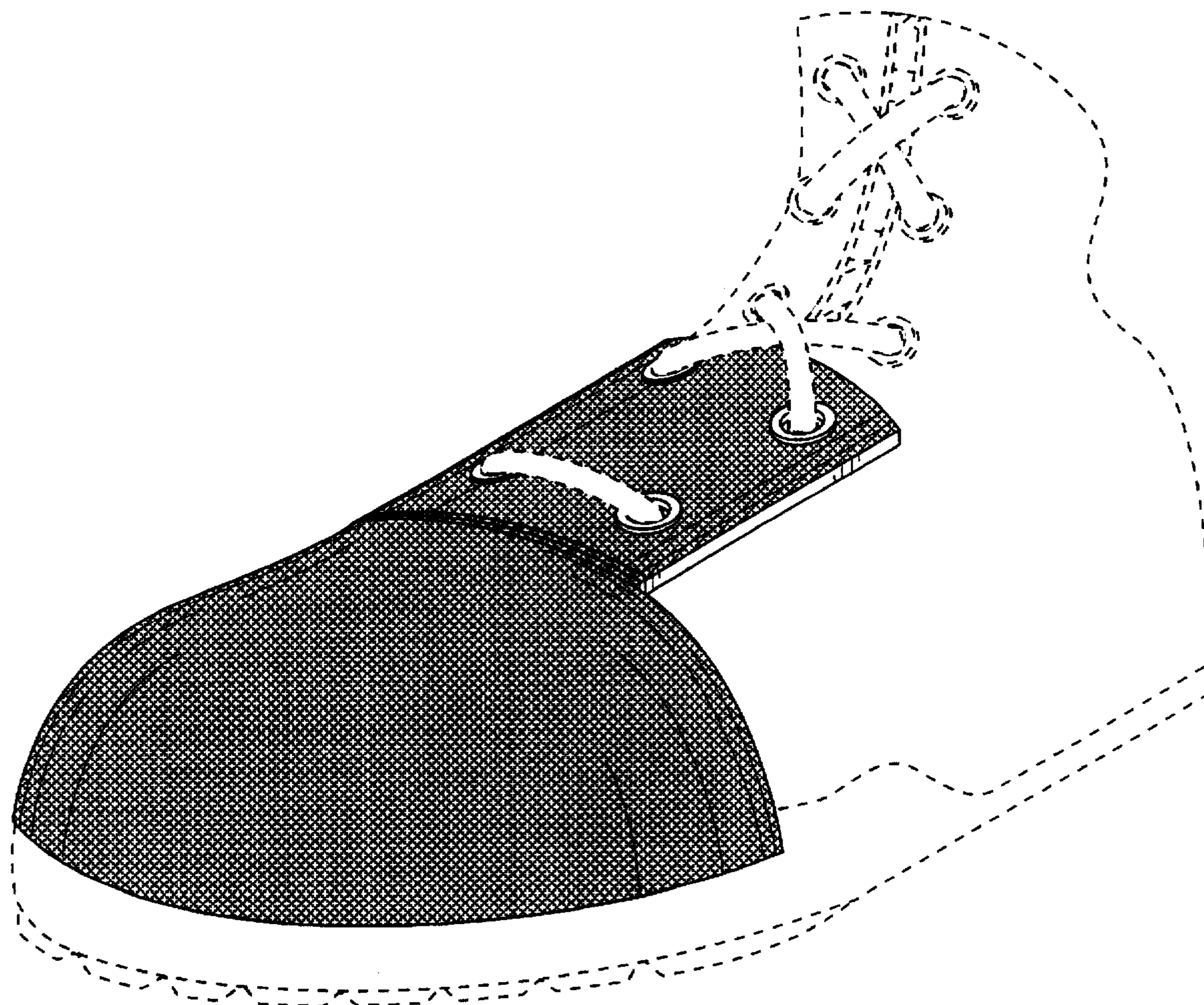
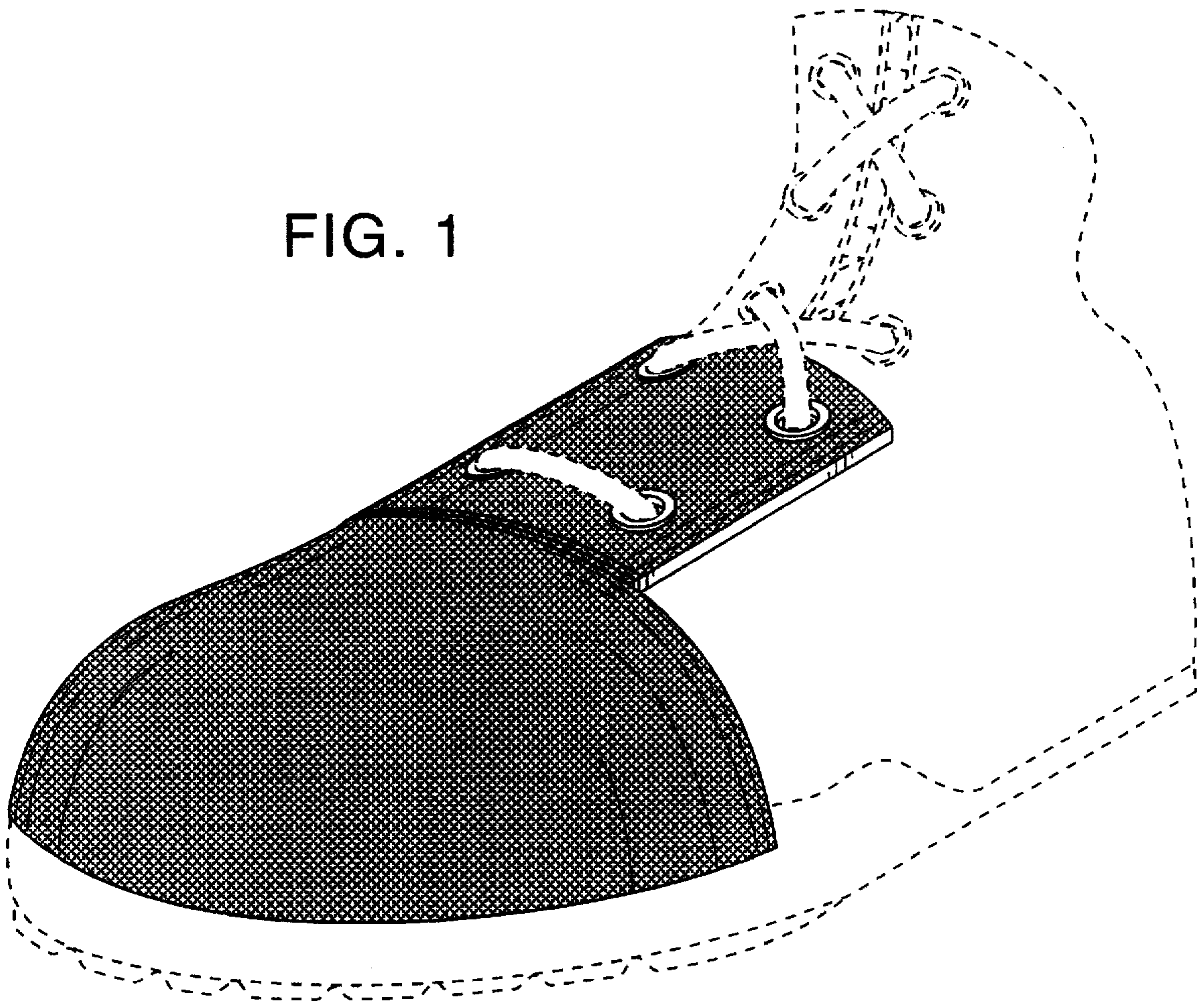


FIG. 1



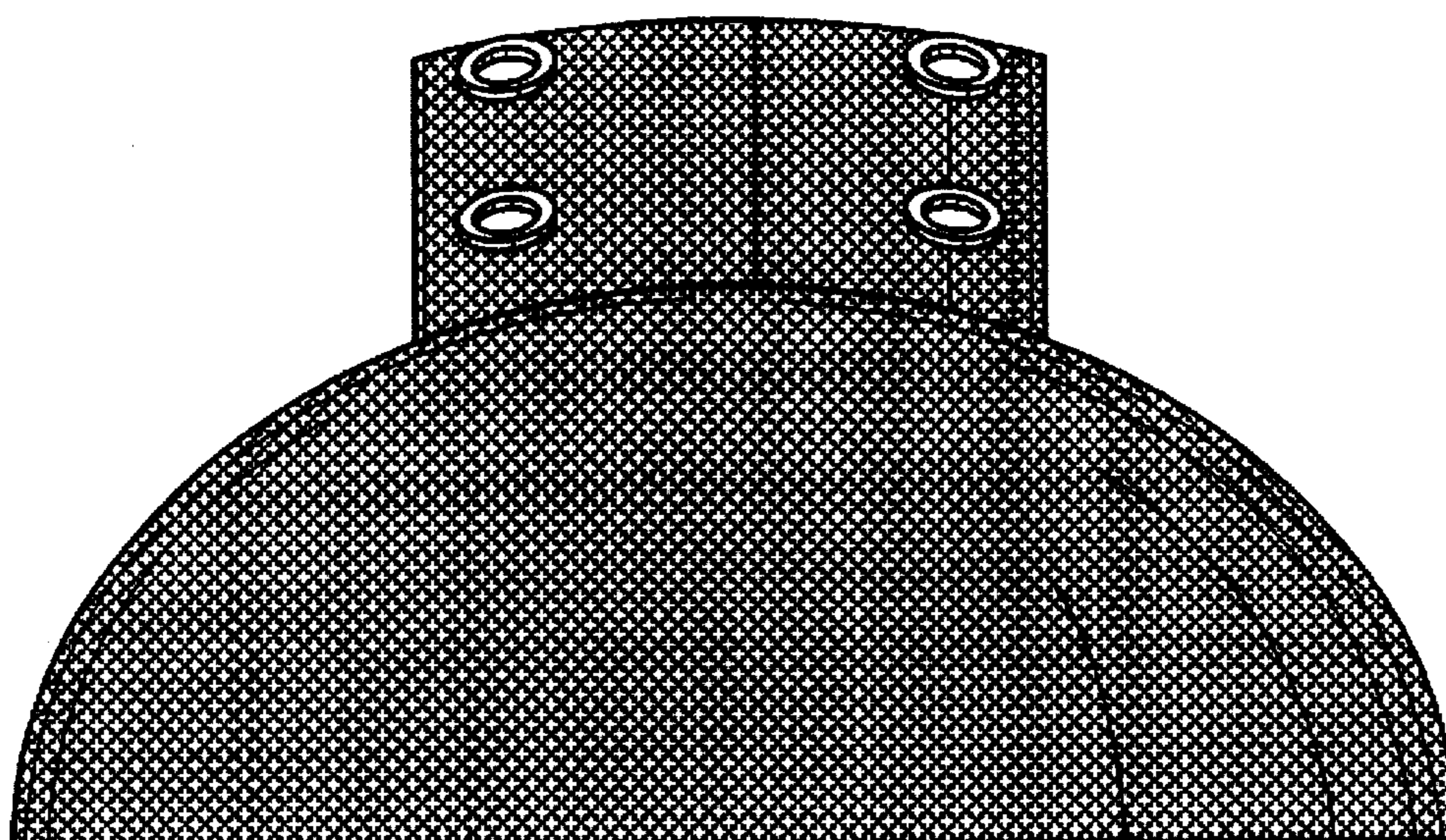


FIG. 2

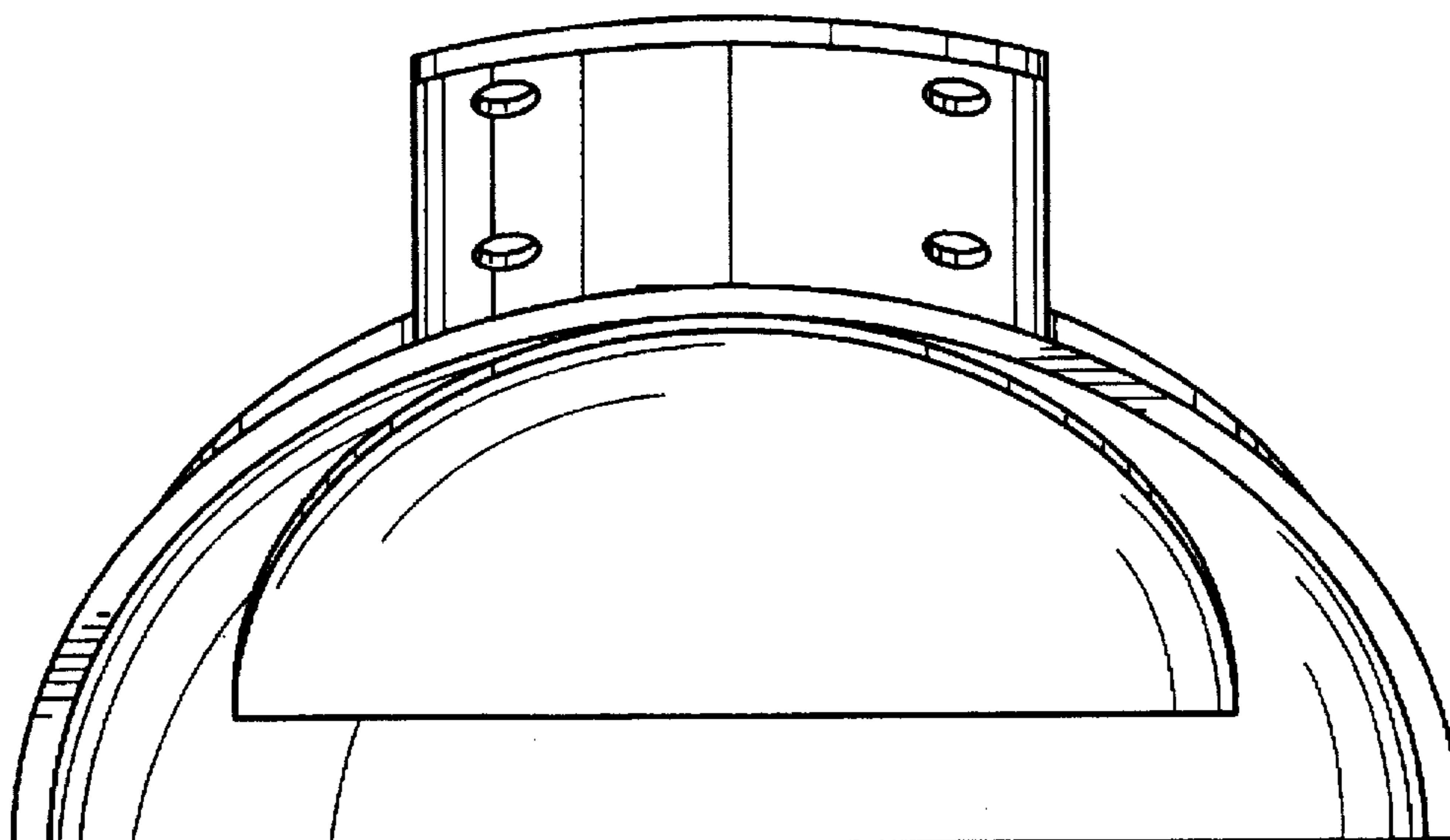


FIG. 3

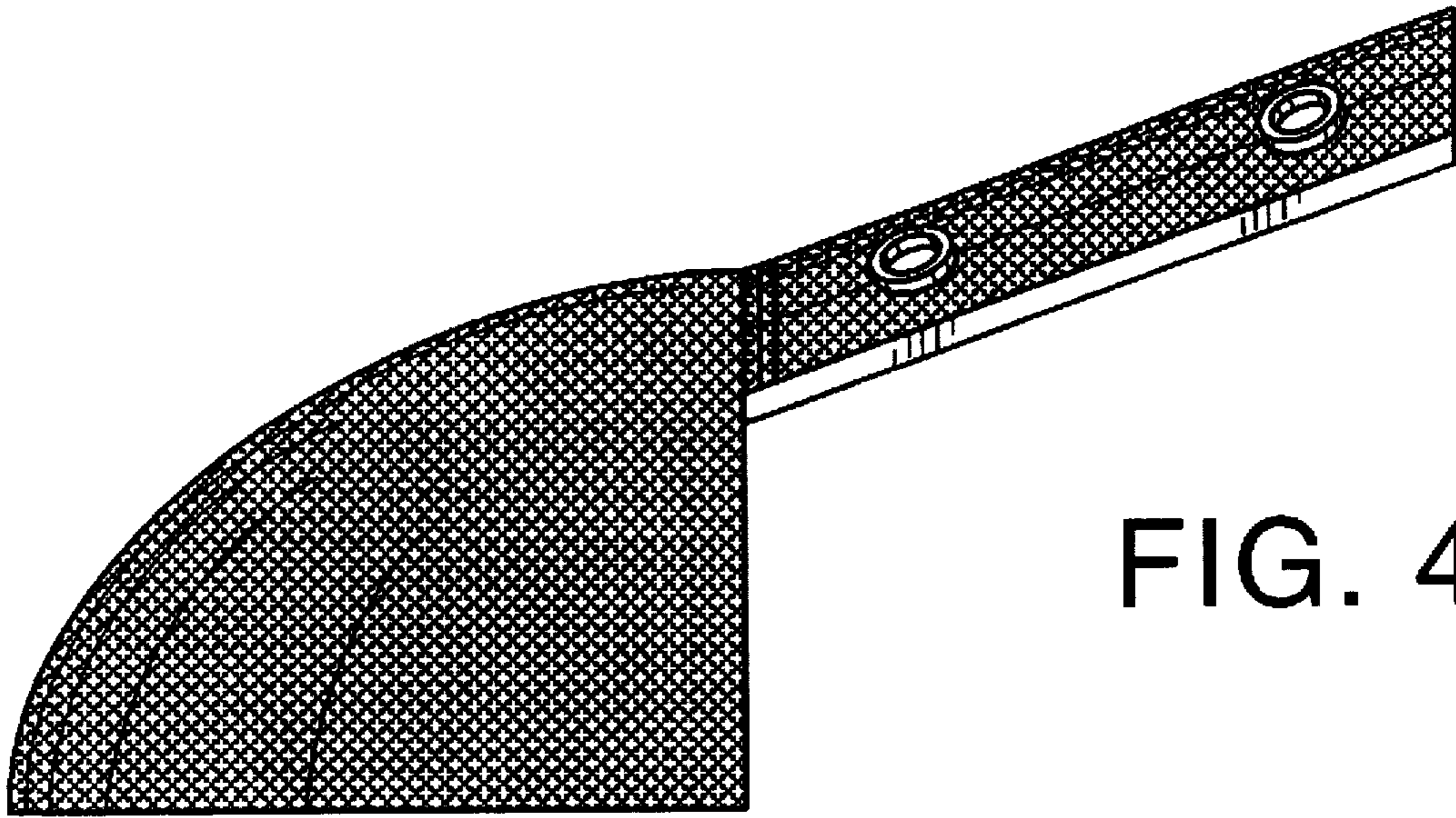


FIG. 4

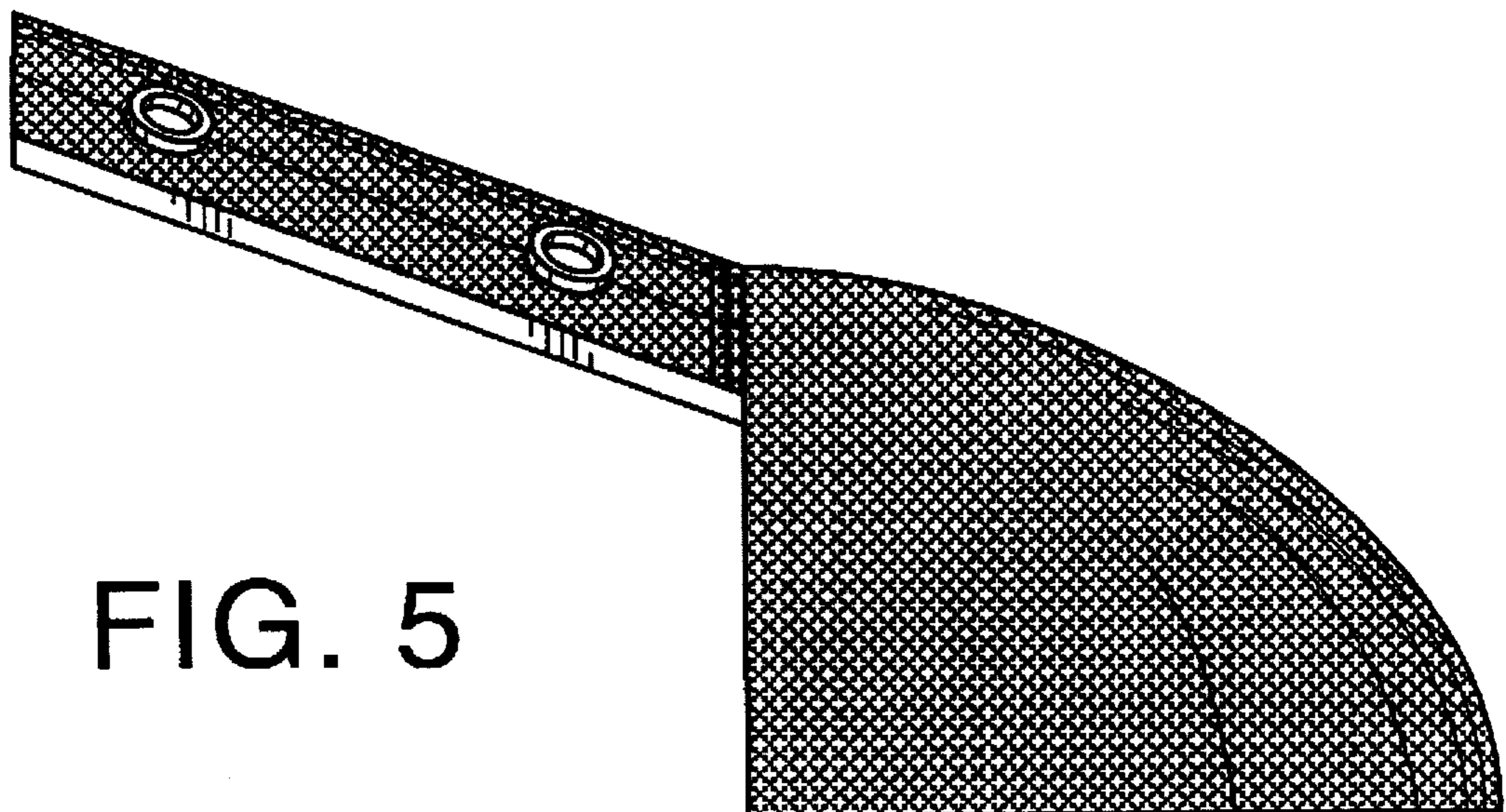


FIG. 5

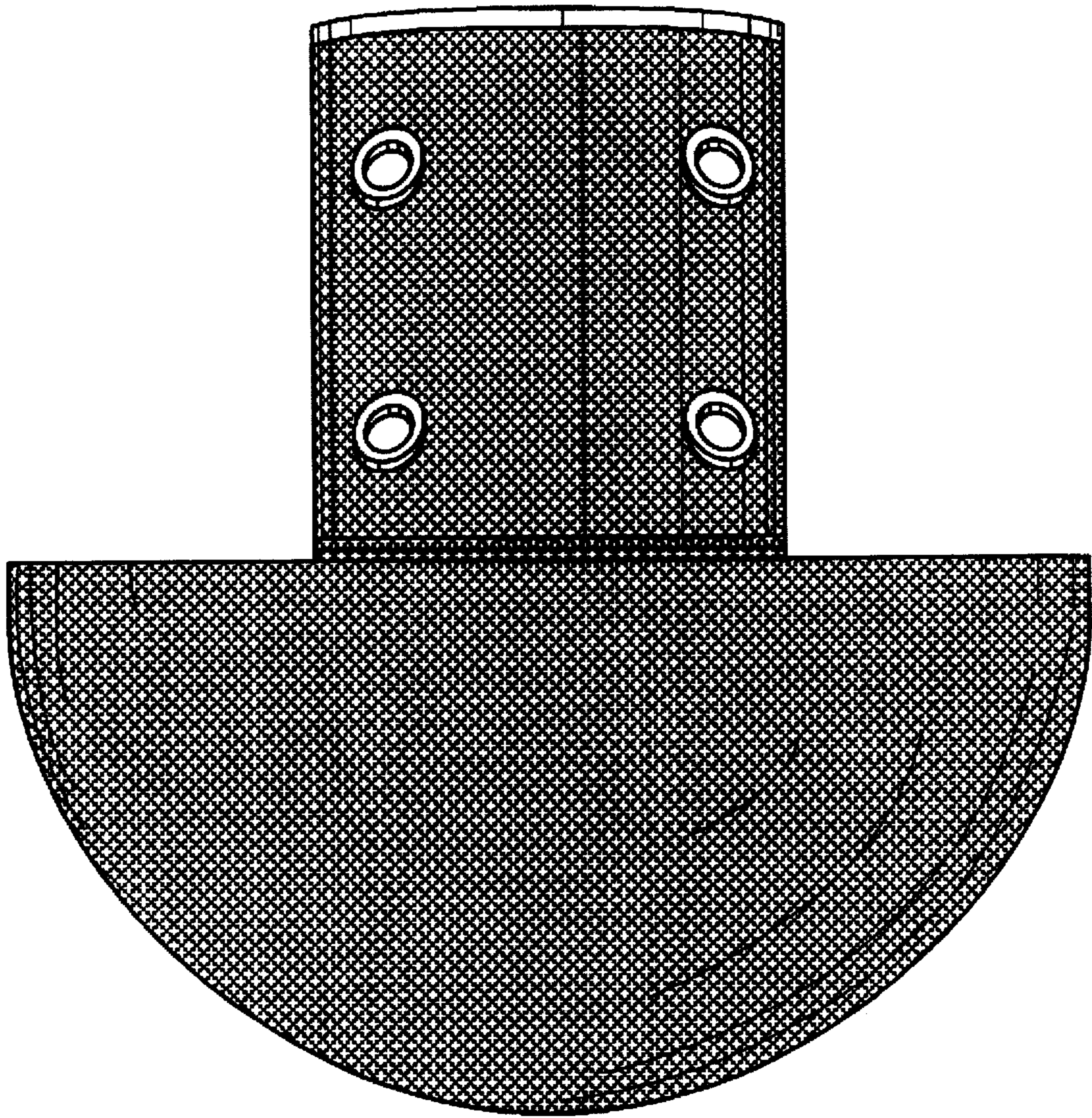


FIG. 6

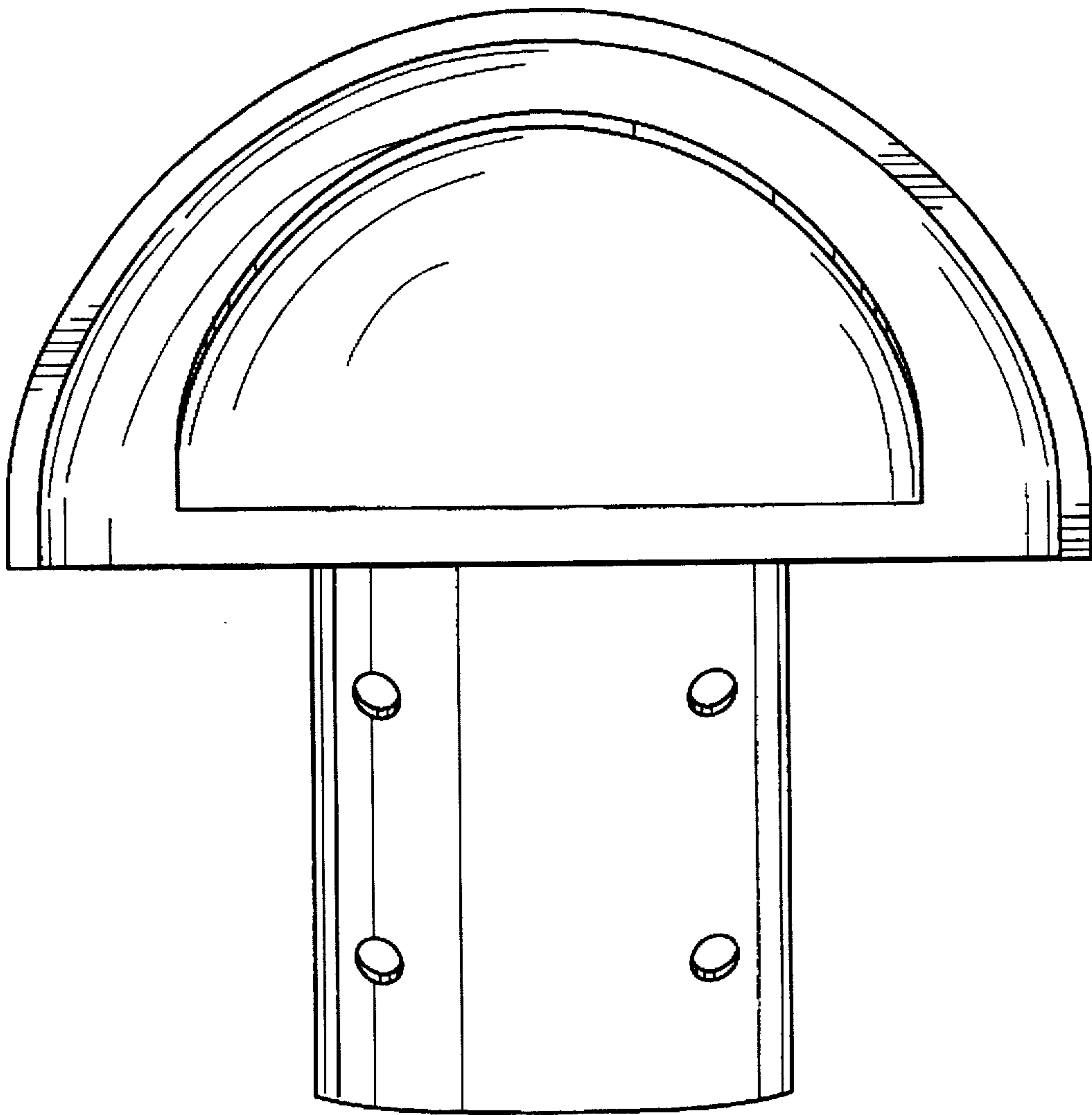


FIG. 7