



US00D389983S

United States Patent [19]

[11] Patent Number: **Des. 389,983**

Maness

[45] Date of Patent: ****Jan. 27, 1998**

[54] **LOCKING HOIST HOOK**

[76] Inventor: **Samuel G. Maness**, 6423 Rubia Cir.,
Apollo Beach, Fla. 33572

[**] Term: **14 Years**

[21] Appl. No.: **66,935**

[22] Filed: **Feb. 19, 1997**

[51] LOC (6) Cl. **12-05**

[52] U.S. Cl. **D34/35; D8/367**

[58] Field of Search **D8/382, 367; D34/35;**
294/82.1, 82.11, 82.2, 82.22

[56] **References Cited**

U.S. PATENT DOCUMENTS

- D. 209,917 1/1968 Lelek D8/367
- D. 297,877 9/1988 Bergstrom D8/382 X

Primary Examiner—Holly Baynham
Attorney, Agent, or Firm—C Douglas McDonald, Jr. &
Associates P.A.

[57] **CLAIM**

The ornamental design for a locking hoist hook, as shown and described.

DESCRIPTION

FIG. 1 is an isometric view of the locking hoist hook of this invention;

FIG. 2 is a front elevation view thereof;

FIG. 3 is a rear elevation view thereof;

FIG. 4 is a left side elevation view thereof;

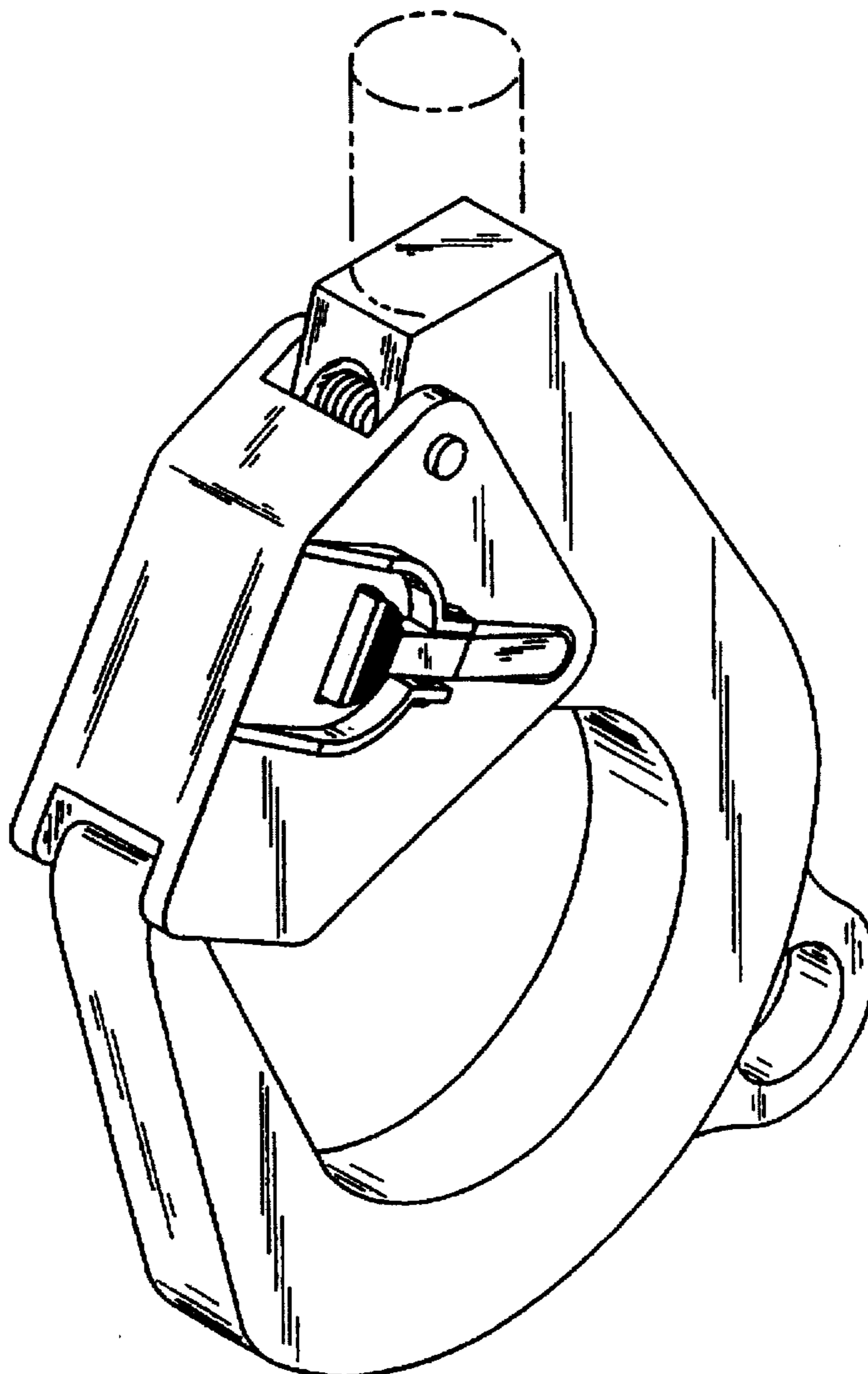
FIG. 5 is a right elevation view thereof;

FIG. 6 is a top plan view thereof; and,

FIG. 7 is a bottom plan view thereof.

The broken line showing of a round boss is for illustrative purposes only and forms no part of the claimed design.

1 Claim, 3 Drawing Sheets



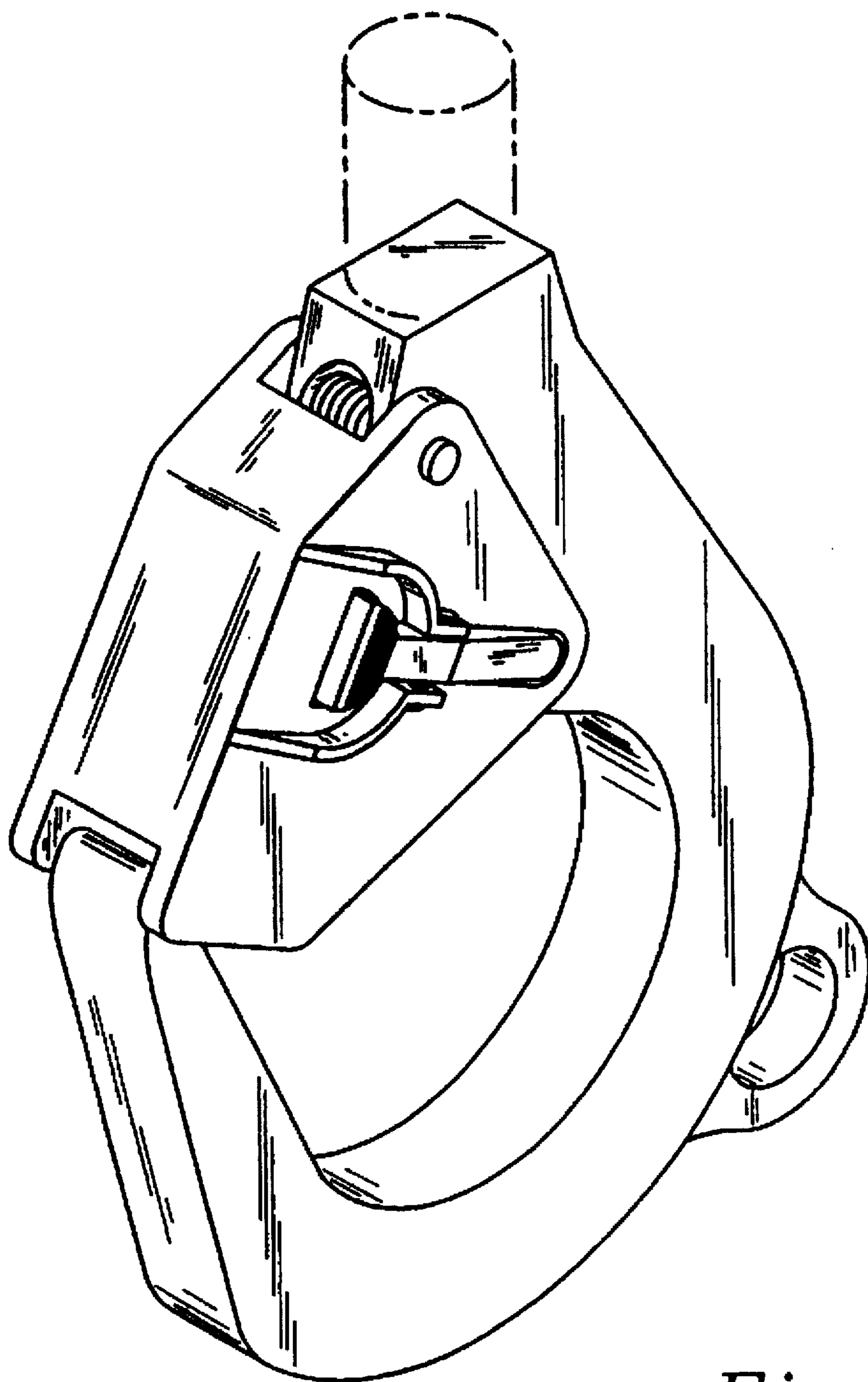


Fig. 1

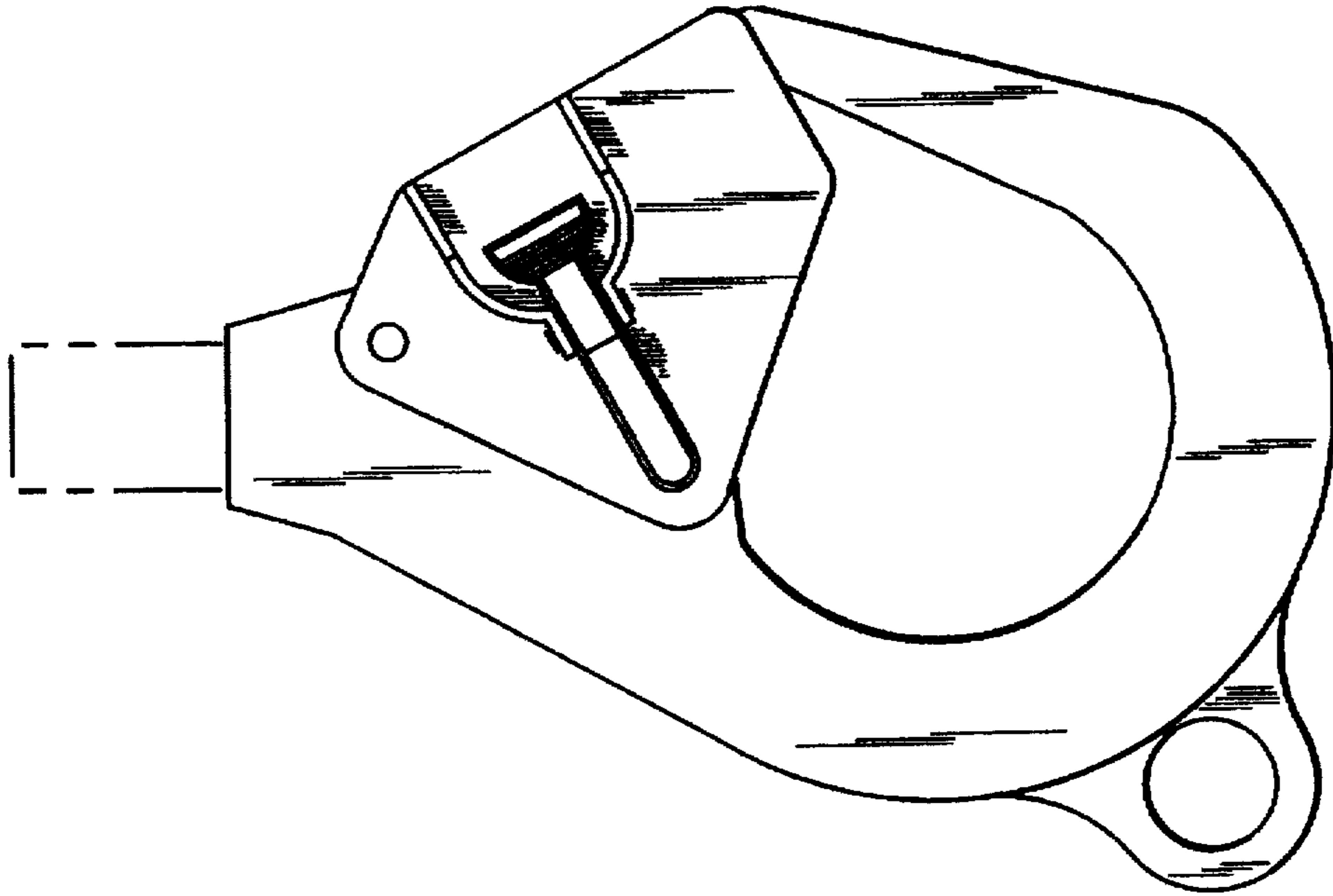


Fig. 3

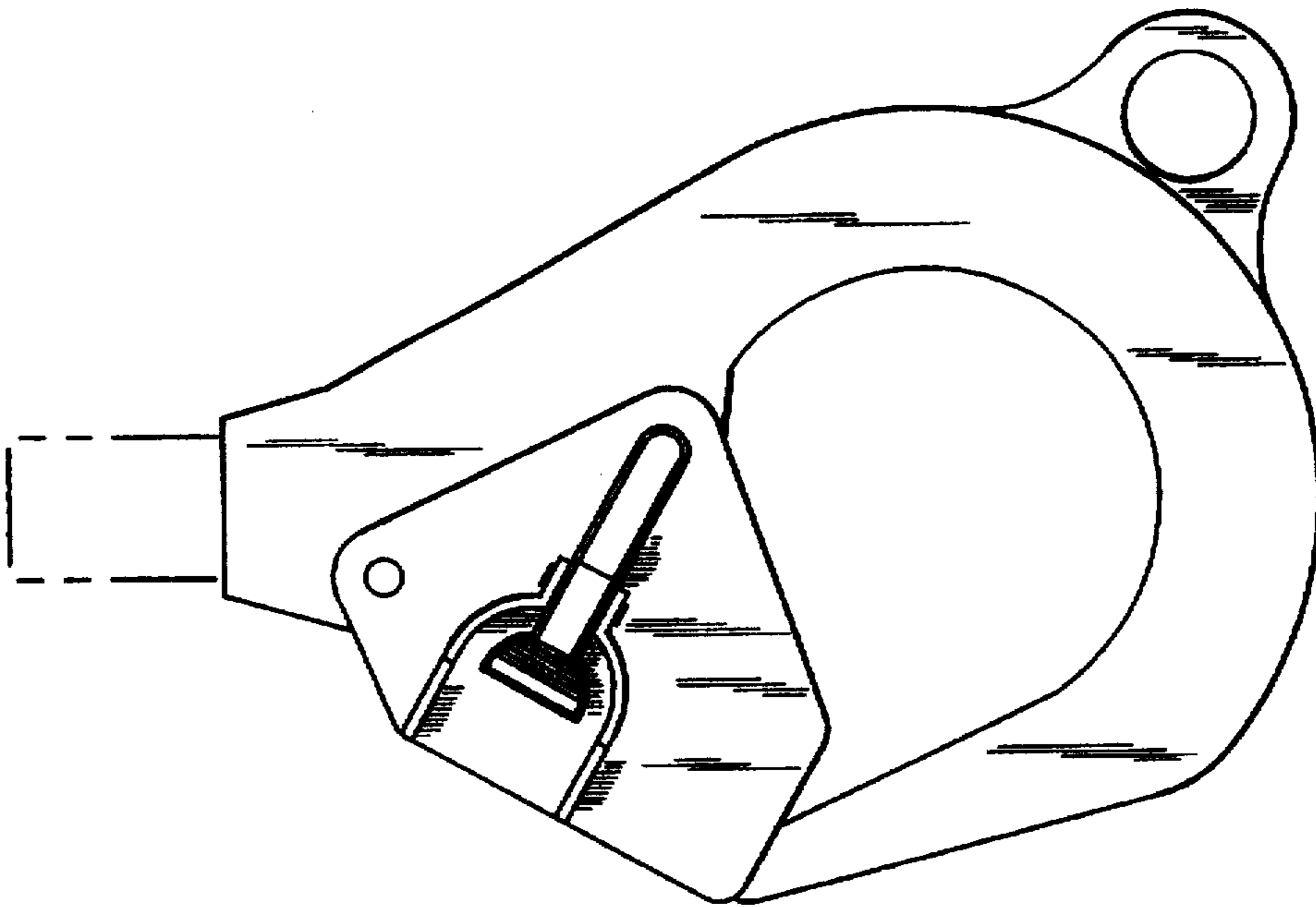


Fig. 2

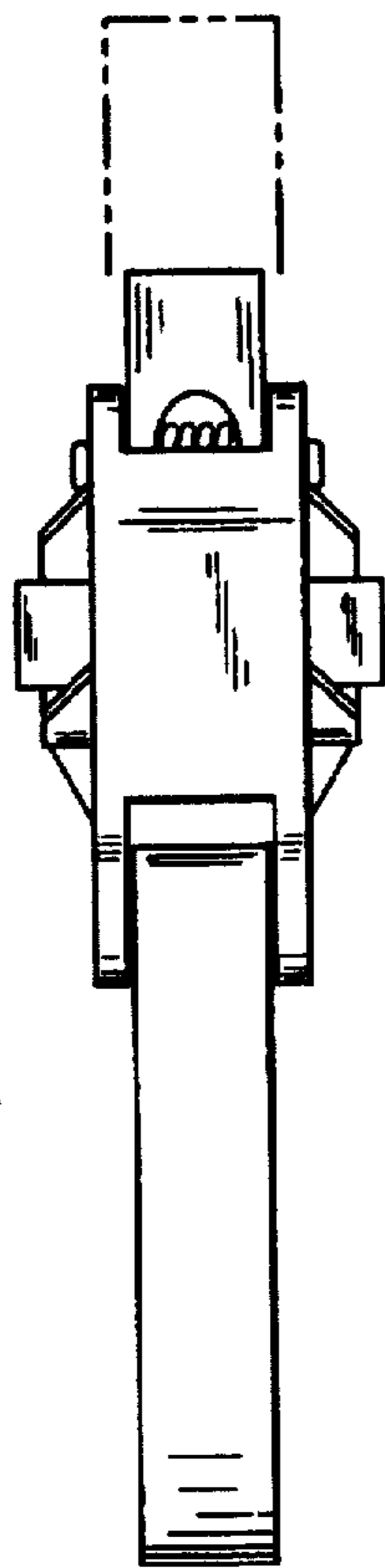


Fig. 4

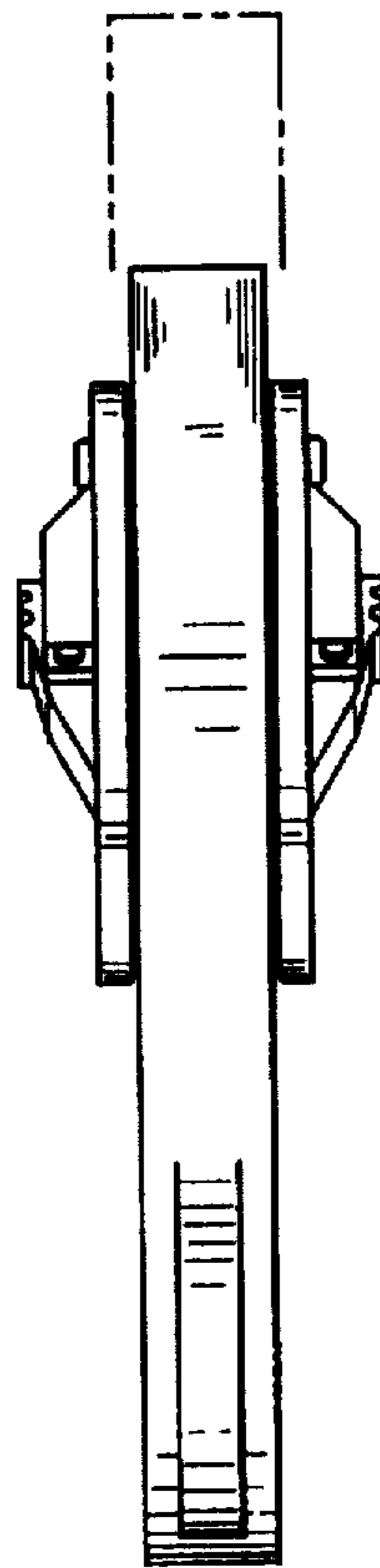


Fig. 5

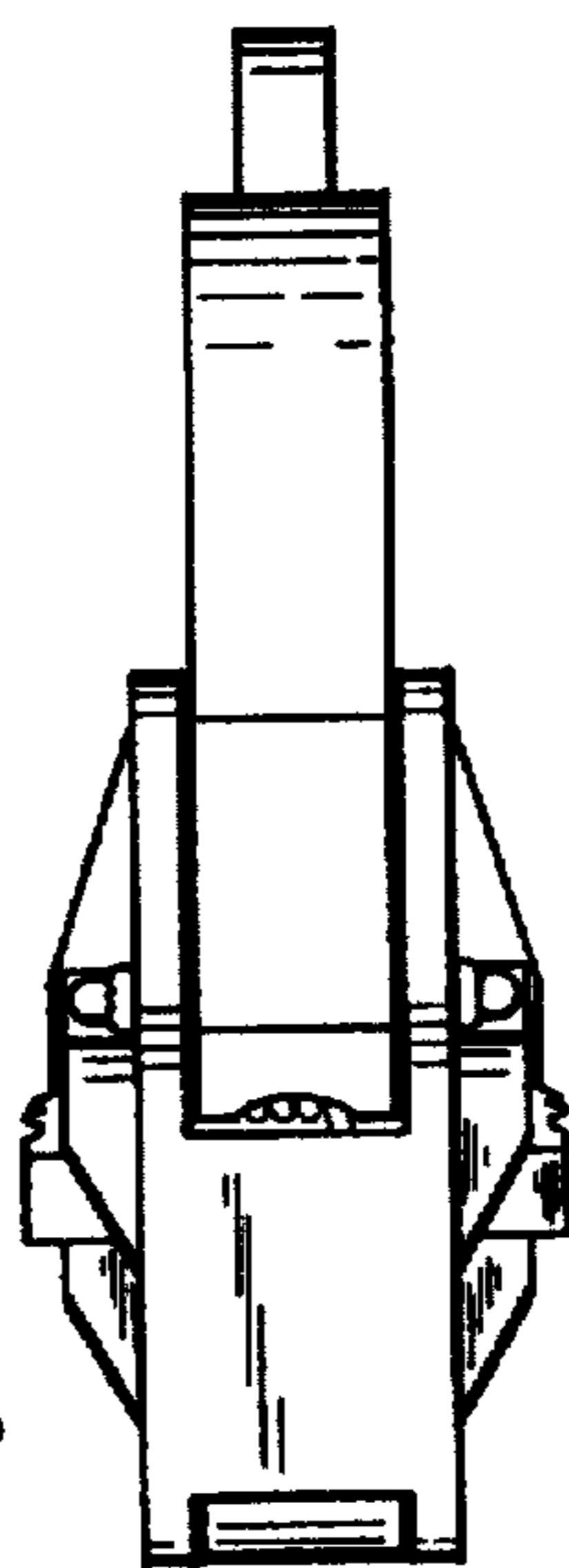


Fig. 6

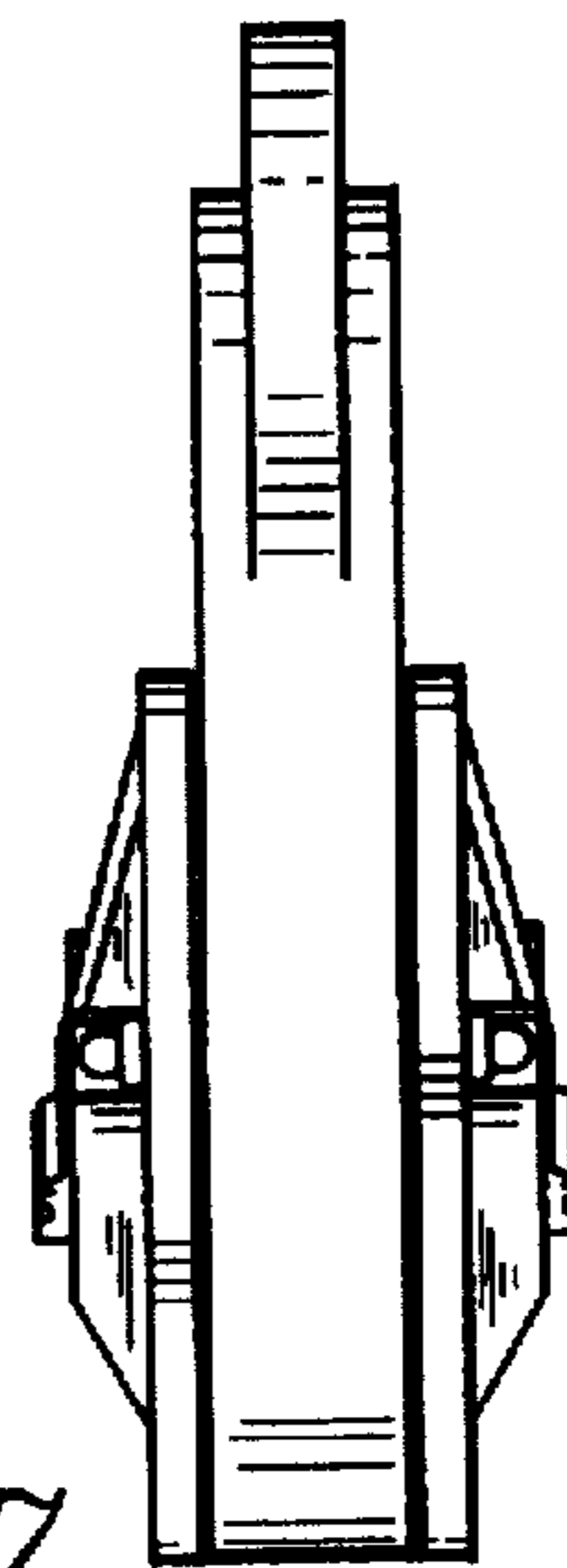


Fig. 7