



US00D389980S

**United States Patent** [19]  
**Friz**

[11] **Patent Number: Des. 389,980**  
[45] **Date of Patent: \*\*Jan. 27, 1998**

- [54] **SHEET ROCK HANDLING APPARATUS**
- [76] **Inventor: Ismael U. Friz, 4431 NW. 171 St., Carol City, Fla. 33055**
- [\*\*] **Term: 14 Years**
- [21] **Appl. No.: 55,153**
- [22] **Filed: May 30, 1996**
- [51] **LOC (6) Cl. .... 12-05**
- [52] **U.S. Cl. .... D34/34; D34/28; D34/31**
- [58] **Field of Search .... D34/31, 33, 28; 254/8 R, 88, 8 B**

[56] **References Cited**  
**U.S. PATENT DOCUMENTS**

D. 211,040	5/1968	Dobson	.....	D34/31
D. 274,571	7/1984	Vermette	.....	D34/34
4,482,130	11/1984	Pardes	.....	254/8 R
4,691,805	9/1987	Kishi	.....	D34/28 X
4,907,935	3/1990	Mankey	.....	D34/28 X

*Primary Examiner*—M. N. Pandozzi

[57] **CLAIM**

The ornamental design for a sheet rock handling apparatus, as shown.

**DESCRIPTION**

FIG. 1 is a front view of the sheet rock handling apparatus of the present invention;  
 FIG. 2 is a rear view of the sheet rock handling apparatus of FIG. 1;  
 FIG. 3 is a right side view of the sheet rock handling apparatus of FIG. 1;  
 FIG. 4 is a left side view of the sheet rock handling apparatus of FIG. 1;  
 FIG. 5 is a top view of the sheet rock handling apparatus of FIG. 1; and,  
 FIG. 6 is a bottom view of the sheet rock handling apparatus of FIG. 1.

**1 Claim, 3 Drawing Sheets**

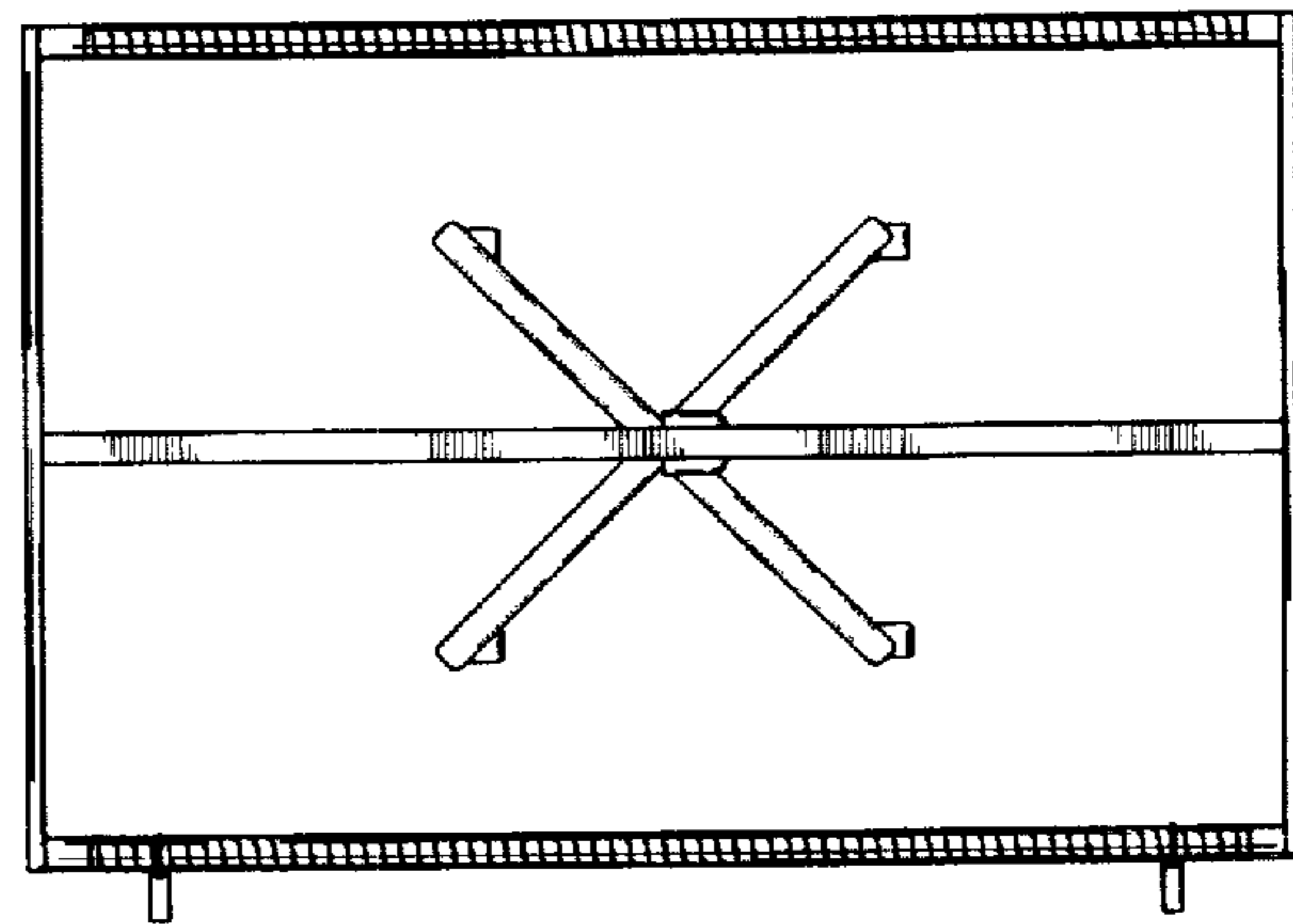
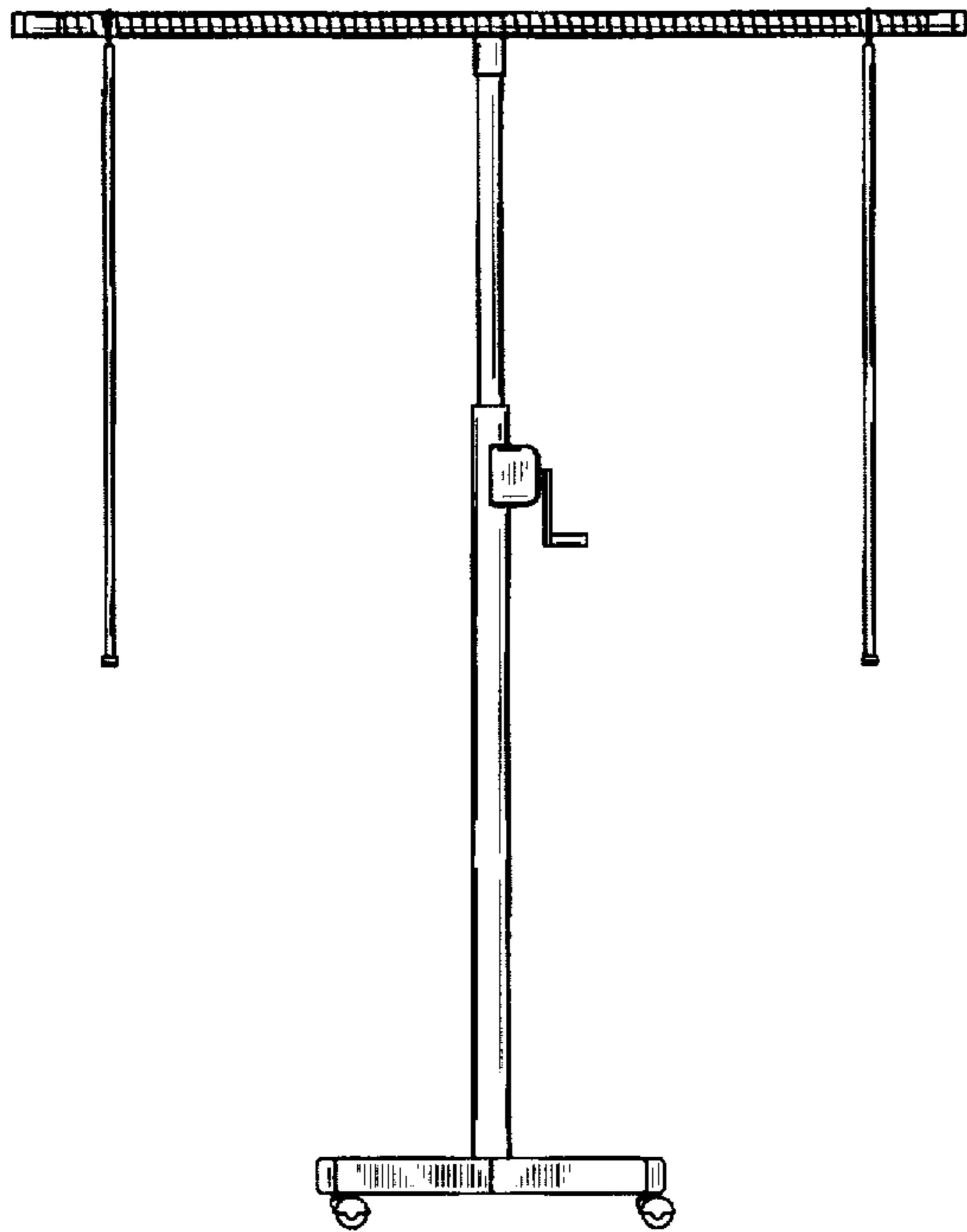


FIG. 1

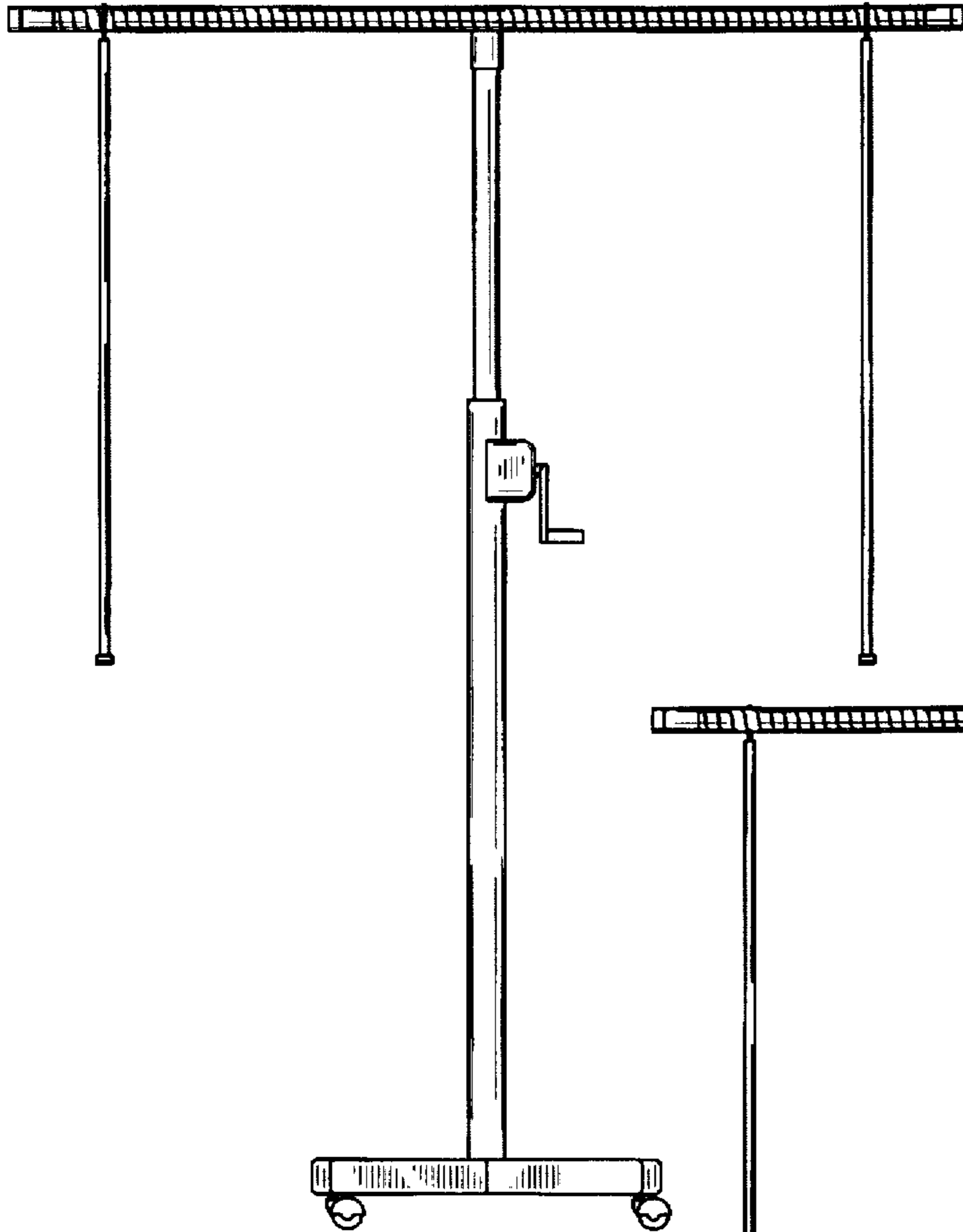


FIG. 2

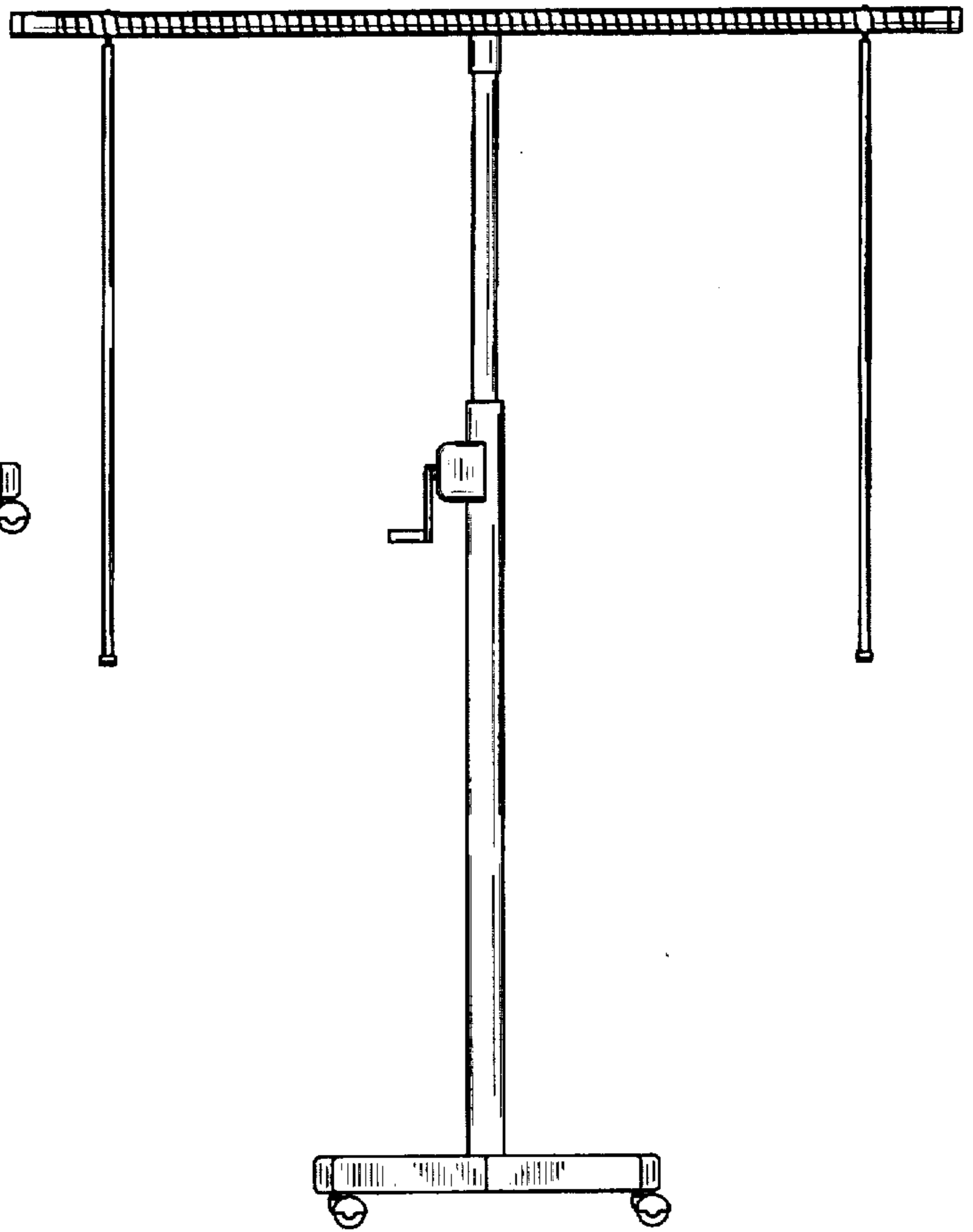


FIG. 3

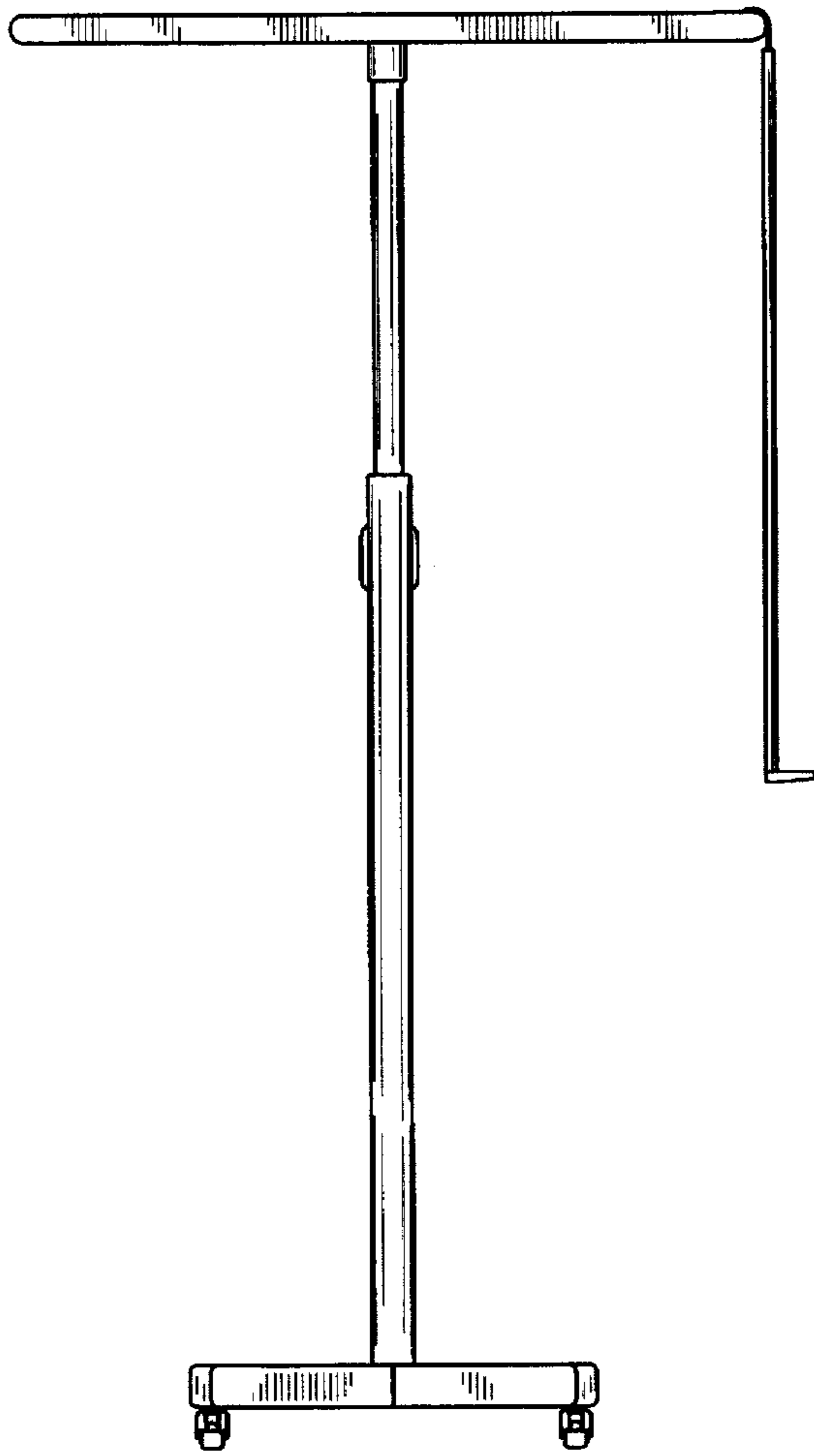


FIG. 4

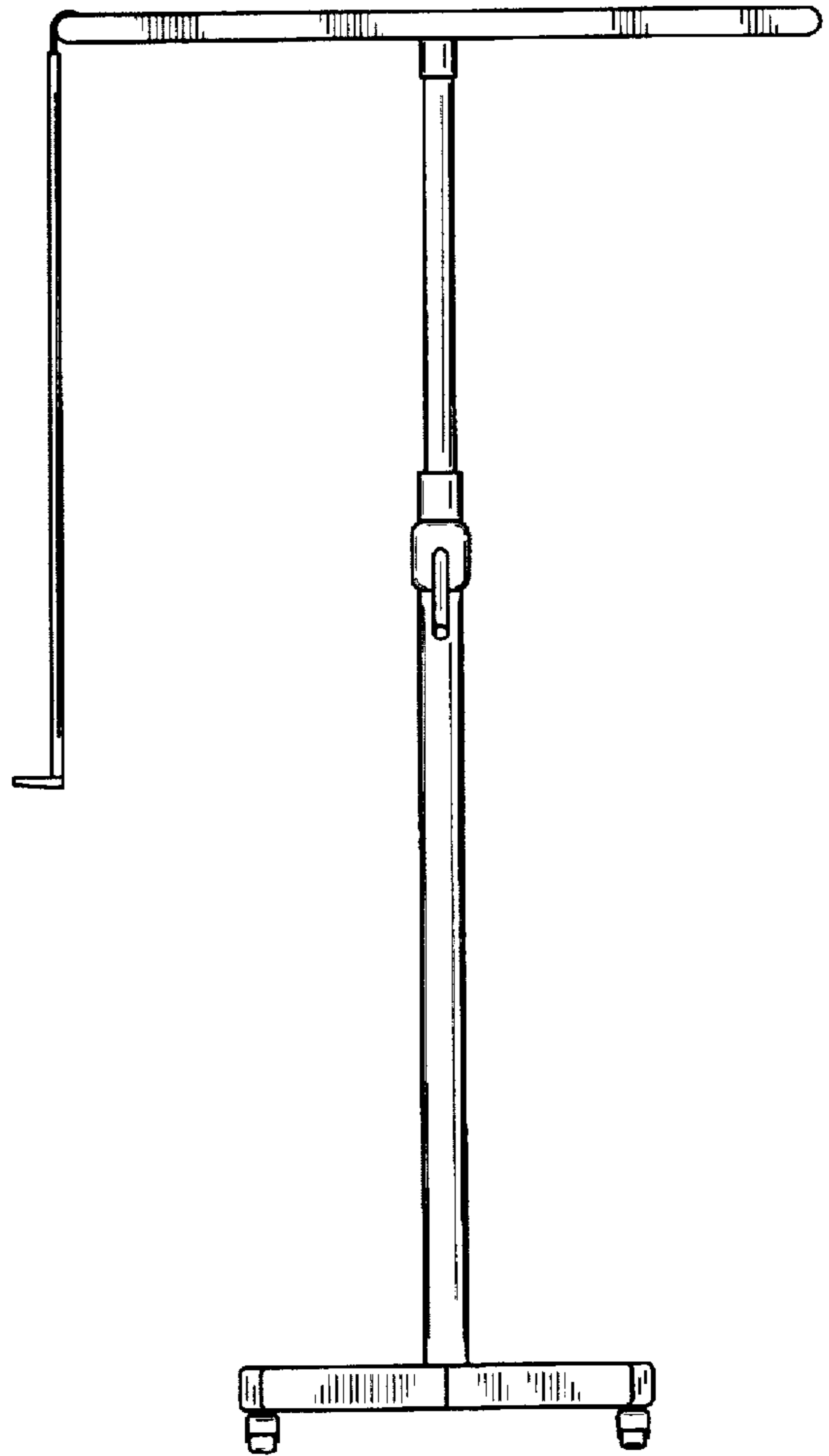


FIG. 5

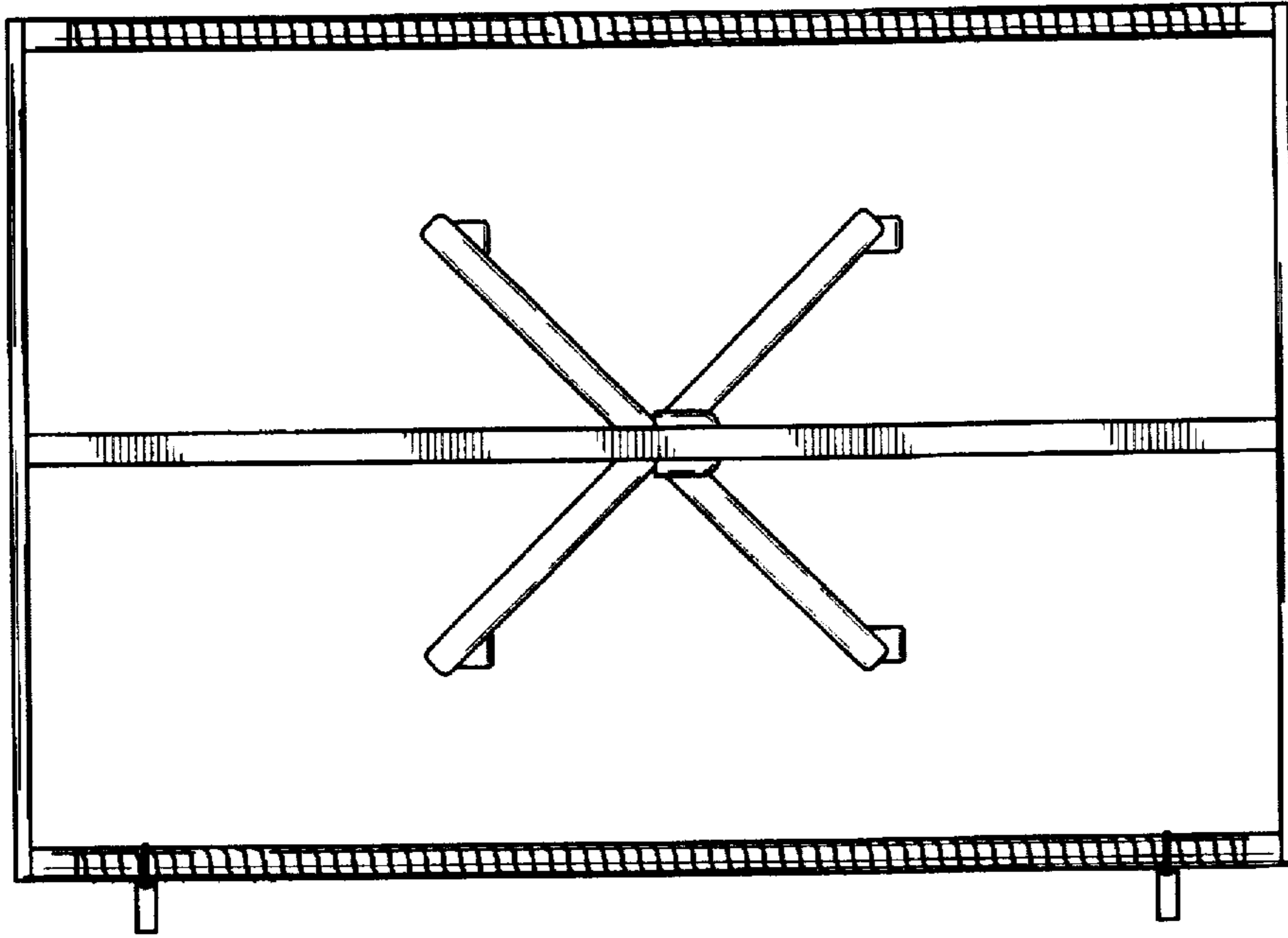


FIG. 6

