



US00D389978S

United States Patent [19]

Sondergeld, Jr.

[11] Patent Number: **Des. 389,978**

[45] Date of Patent: ****Jan. 27, 1998**

[54] CLOSED BLOCK

3,786,935 1/1974 Vlazny et al. 212/274

[76] Inventor: **George W. Sondergeld, Jr.**, 860 Brauer Rd., Oxford, Mich. 48371

Primary Examiner—Antoine Duval Davis
Attorney, Agent, or Firm—Brooks & Kushman, P.C.

[**] Term: **14 Years**

[57] CLAIM

[21] Appl. No.: **34,294**

The ornamental design for a closed block, as shown and described.

[22] Filed: **Jan. 31, 1995**

DESCRIPTION

[51] LOC (6) Cl. **12-05**

[52] U.S. Cl. **D34/33**

[58] Field of Search D10/46; D15/199;
D34/33, 35; 212/76-123, 100

FIG. 1 is a side elevational view of a closed block showing my new design;

FIG. 2 is a top plan view thereof;

FIG. 3 is a bottom plan view thereof;

FIG. 4 is a front elevational view thereof; and,

FIG. 5 is a rear elevational view thereof.

[56] References Cited

U.S. PATENT DOCUMENTS

D. 238,482 1/1976 Pitts D34/33

1 Claim, 2 Drawing Sheets

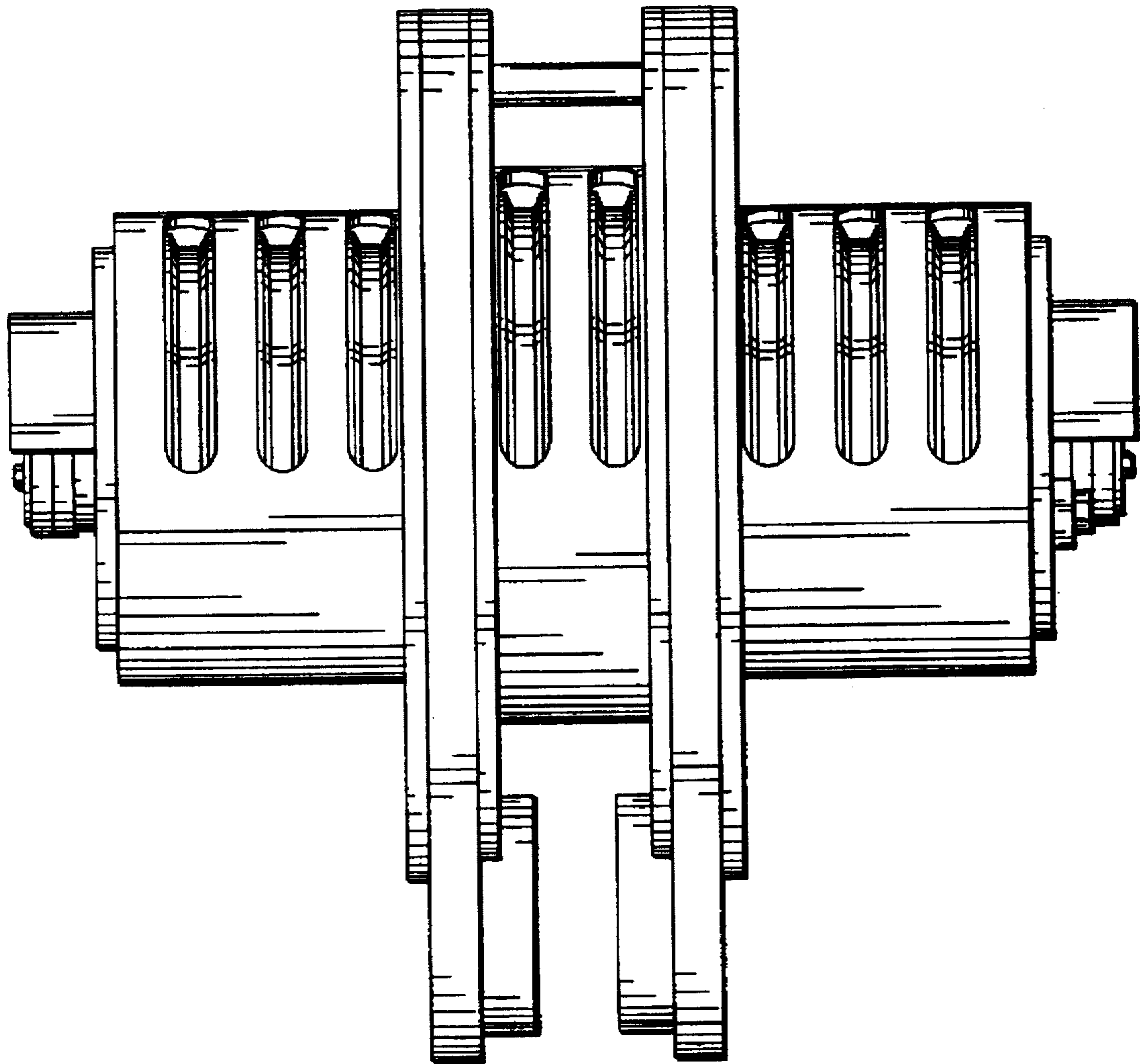


Fig. 1

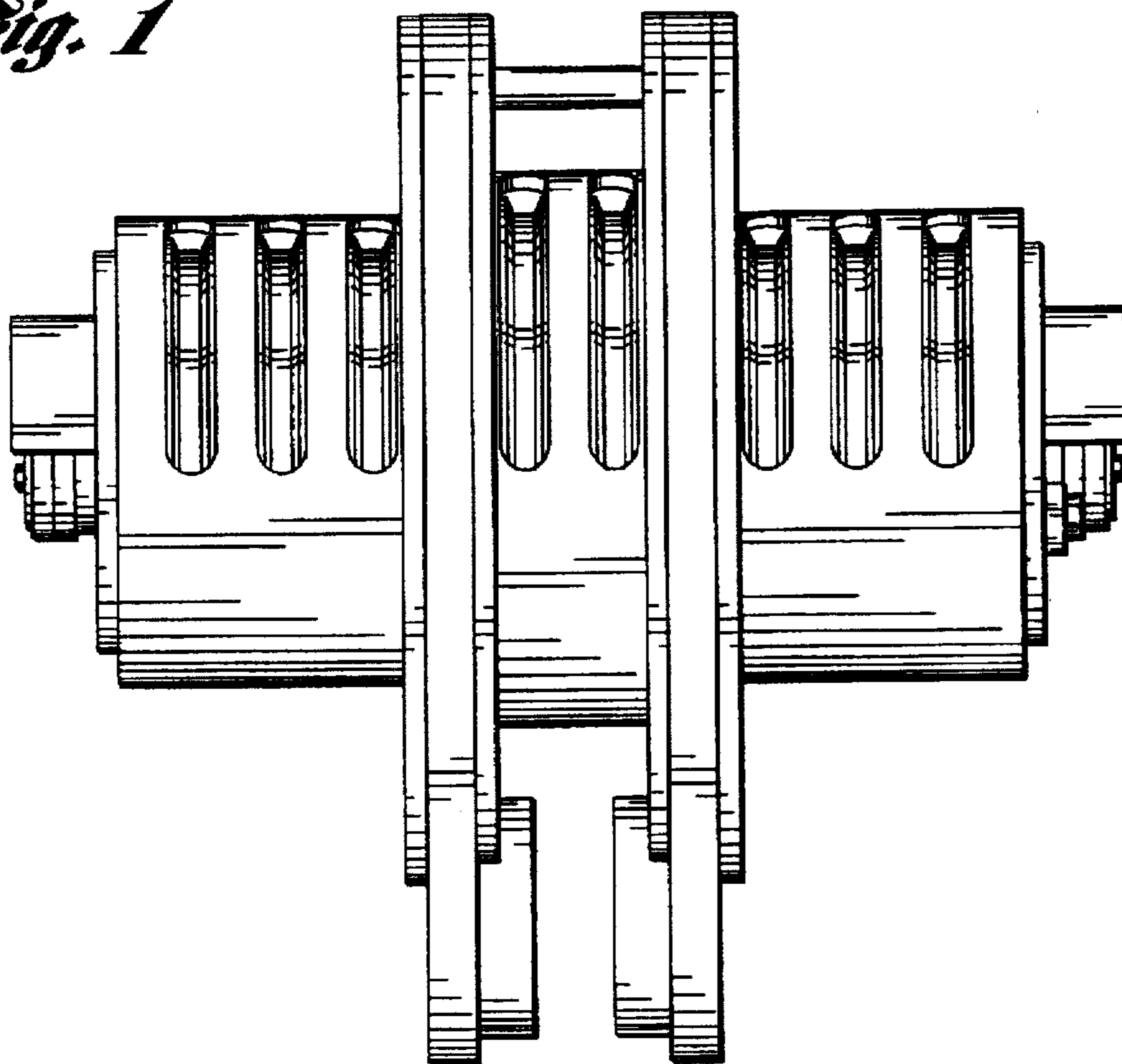
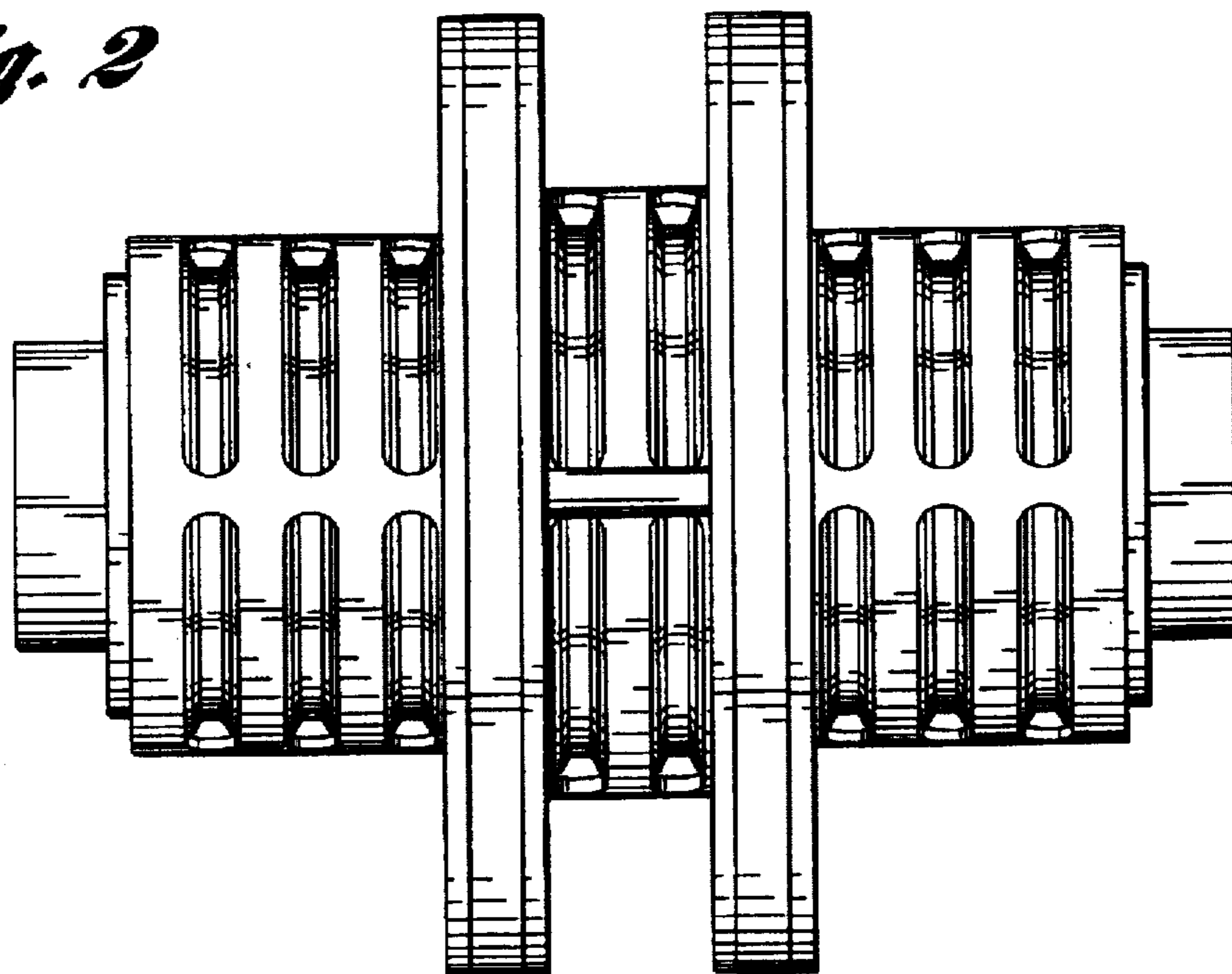


Fig. 2



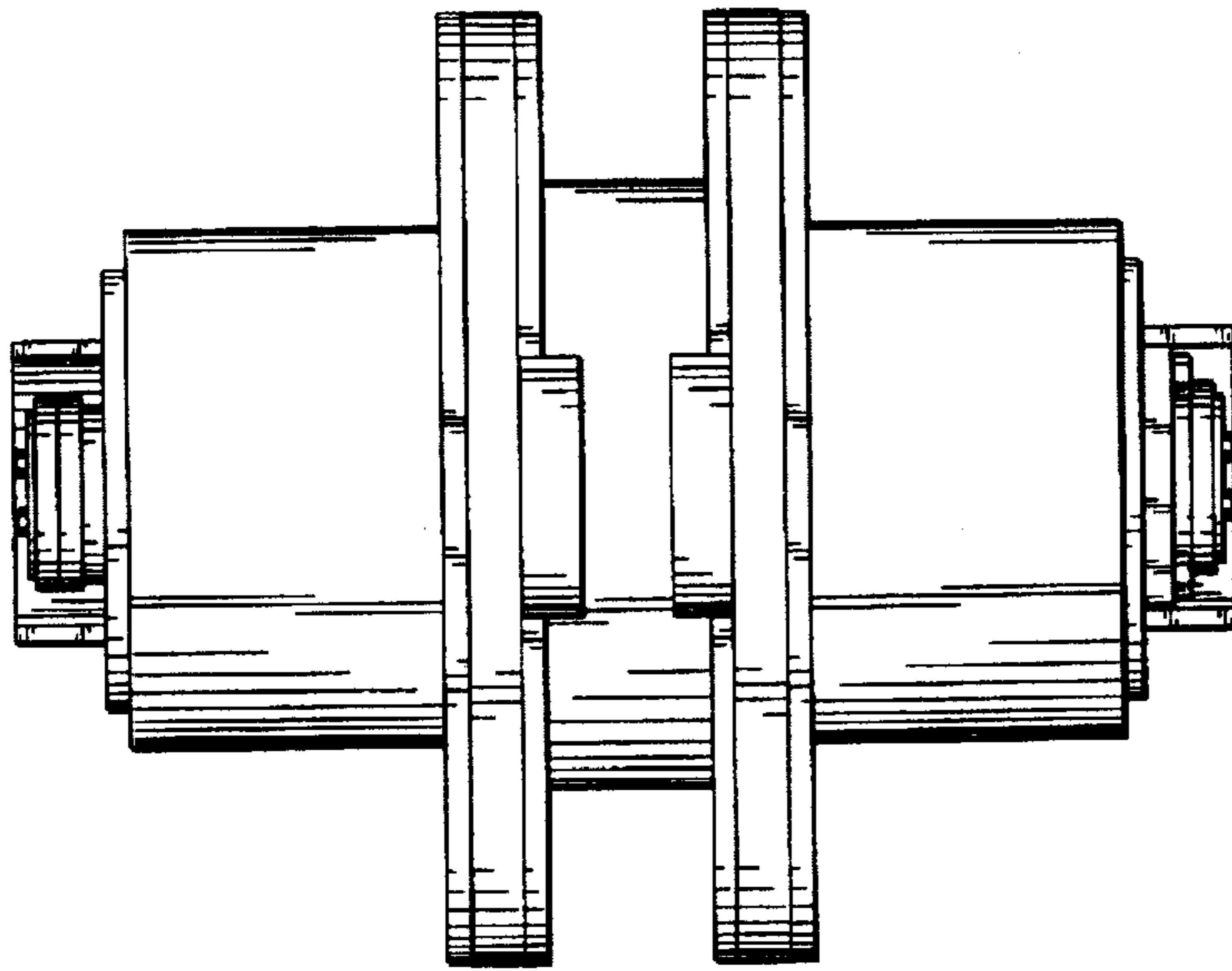


Fig. 3

Fig. 4

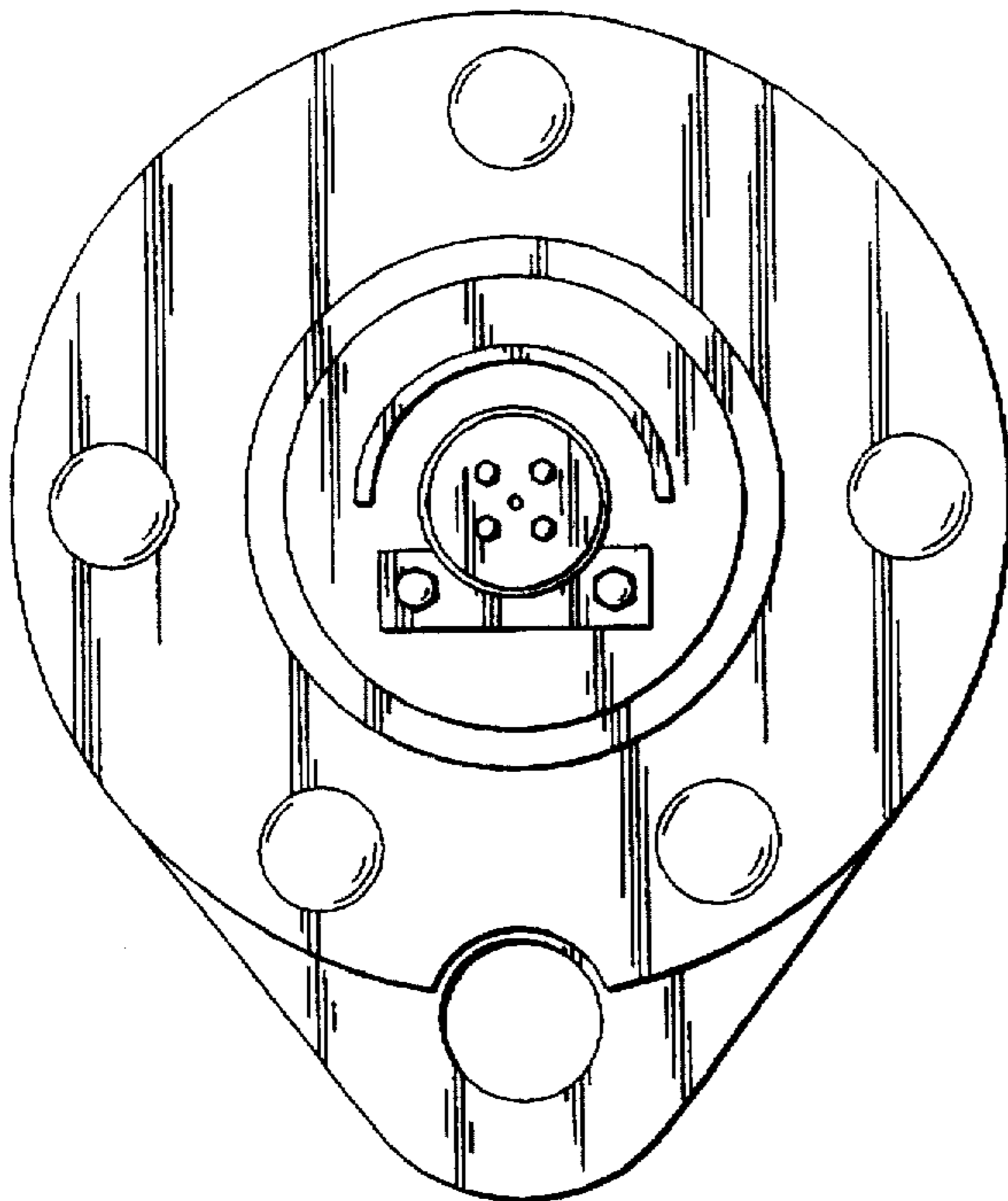
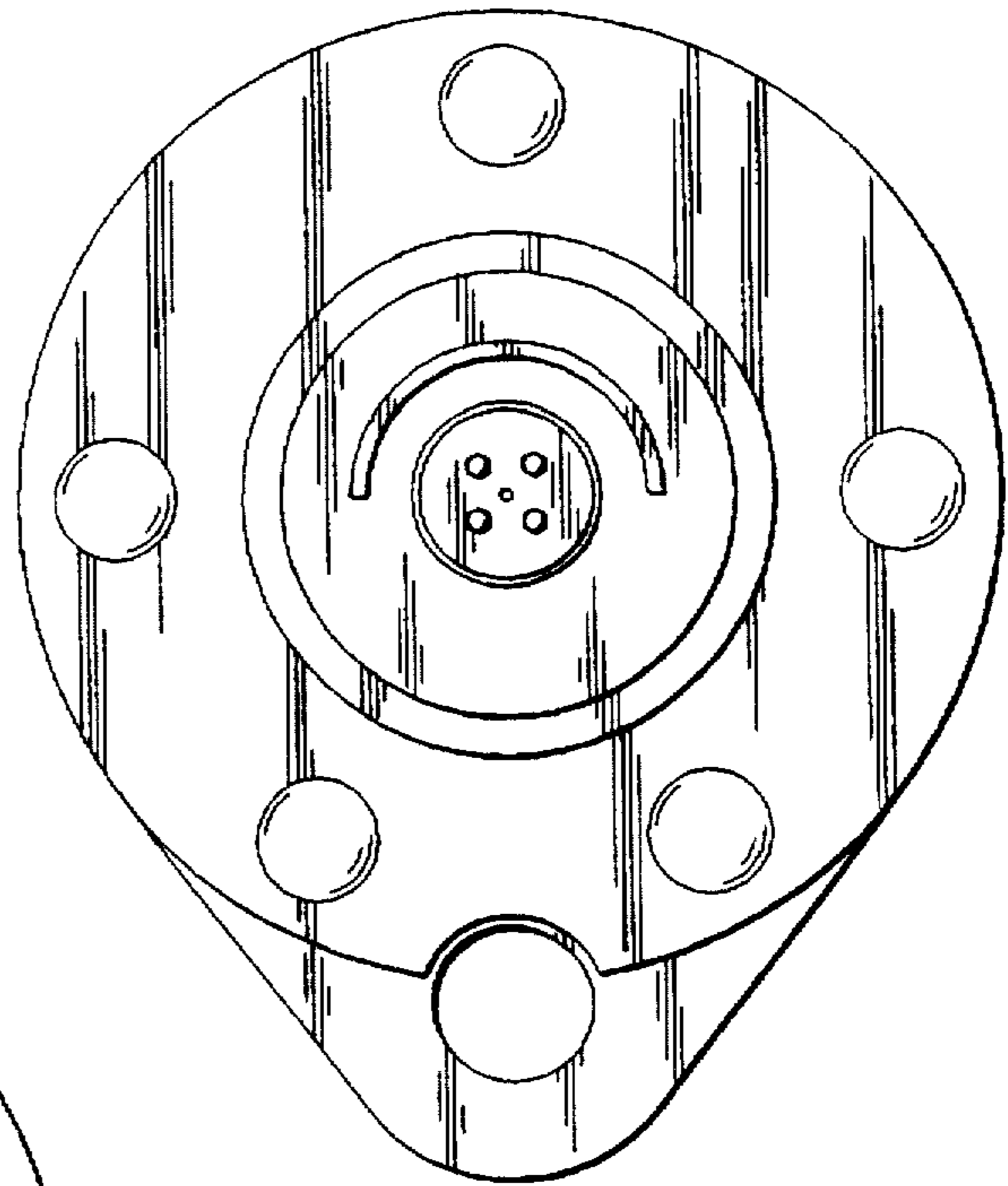


Fig. 5