



US00D389975S

United States Patent [19]

Andrews et al.

[11] Patent Number: **Des. 389,975**

[45] Date of Patent: ****Jan. 27, 1998**

[54] **DISK HANDLING WAND**

5,344,202 9/1994 Ramler et al. 294/64.1
5,374,090 12/1994 Goff 294/64.1

[76] Inventors: **Scott Miller Andrews**, 4580 Lake Country Highway, Calistoga, Calif. 94515; **Shyun Renn**, 119 Mosswell Ct., San Jose, Calif. 95138

Primary Examiner—M. N. Pandozzi

[**] Term: **14 Years**

[57] CLAIM

The ornamental design for a disk handling wand, as shown and described.

[21] Appl. No.: **52,853**

DESCRIPTION

[22] Filed: **Apr. 10, 1996**

[51] LOC (6) Cl. **12-05**

[52] U.S. Cl. **D34/28; D8/14**

[58] Field of Search **D34/28, 35; D8/14; 294/34, 64.1**

FIG. 1A and 1B are perspective views of a disk handling wand wherein those figures labelled "A" are a left handed embodiment while those figures labelled "B" are a right handed embodiment;

FIG. 2A and 2B are first side views of the new, original, and ornamental design of the disk handling wand;

FIG. 3A and 3B are second side views of the new, original, and ornamental design of the disk handling wand;

FIG. 4A and 4B are top views of the new, original, and ornamental design of the disk handling wand;

FIG. 5A and 5B are bottom views of the new, original, and ornamental design of the disk handling wand;

FIGS. 6A and 6B are frontal views of the new, original, and ornamental design of the disk handling wand; and,

FIGS. 7A and 7B are rear views of the new, original, and ornamental design of the disk handling wand.

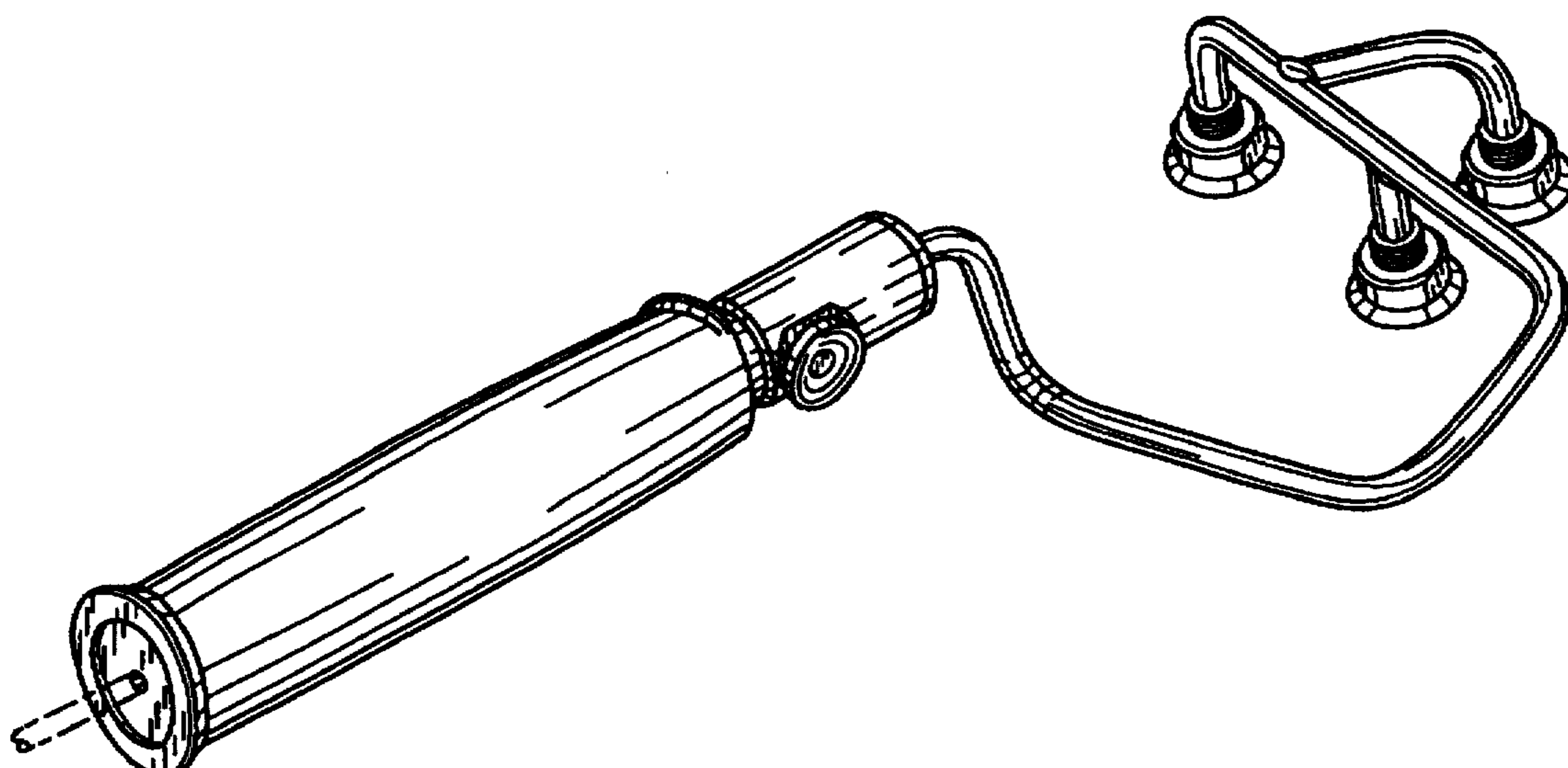
That portion of the figures shown by broken lines forms the environment in which the claimed ornamental design is applied, and forms no part of the claimed design.

[56] References Cited

U.S. PATENT DOCUMENTS

D. 199,333	10/1964	Finley	D8/14
D. 301,298	5/1989	Porrello	D8/14
D. 346,315	4/1994	Bentz	D8/14
D. 347,981	6/1994	Suggs, Sr.	D8/14
D. 348,133	6/1994	Solfjeld	D34/28
D. 351,708	10/1994	Andersson	D34/28
D. 354,662	1/1995	Brezany	D8/14
D. 372,781	8/1996	Reif	D8/14 X
D. 378,337	3/1997	Reynolds et al.	D8/14
5,050,918	9/1991	Kolze	294/64.1 X
5,141,387	8/1992	Smith	D34/28 X
5,314,222	5/1994	Oehinger	294/64.1

1 Claim, 7 Drawing Sheets



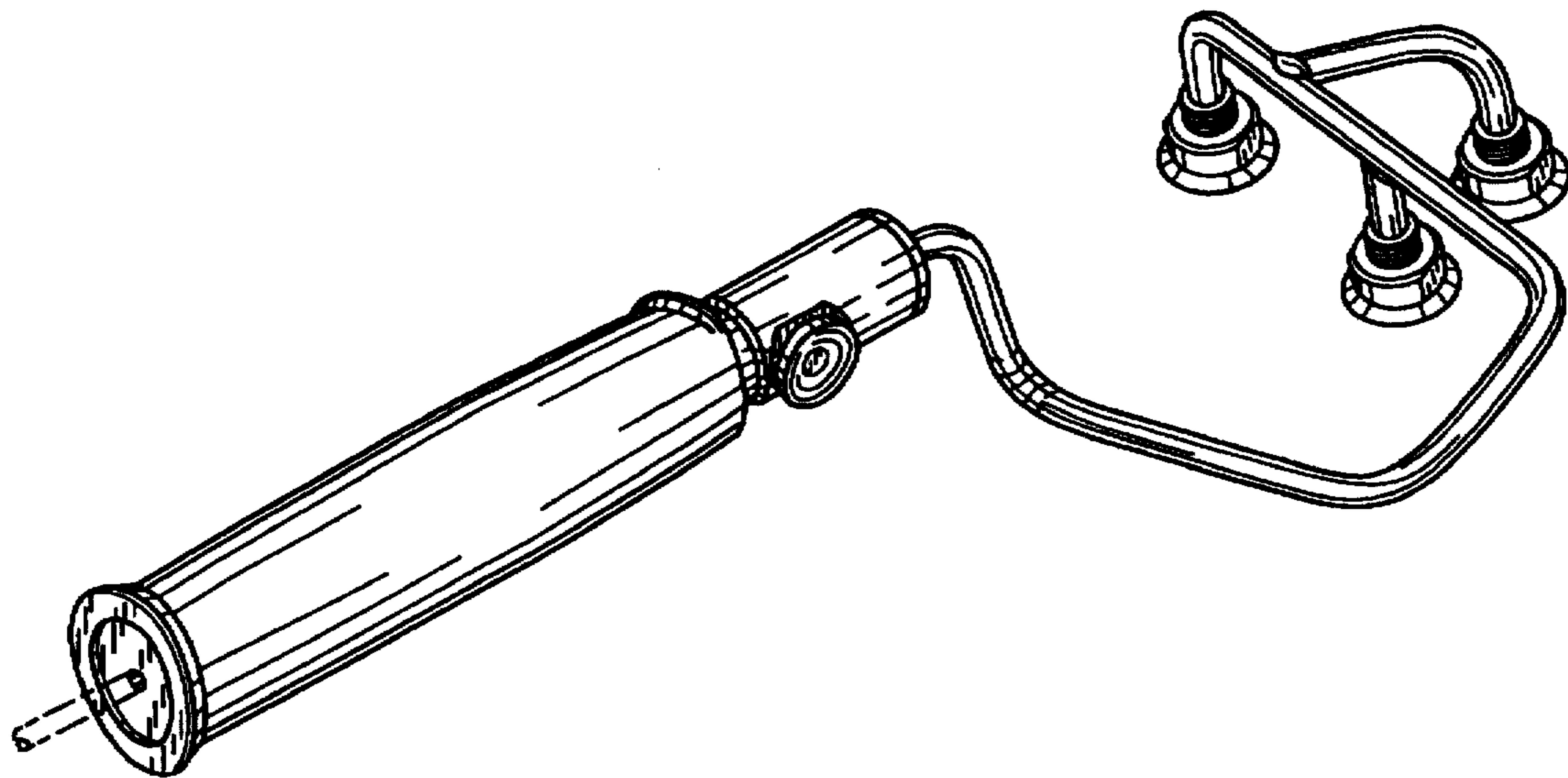


FIG. 1A

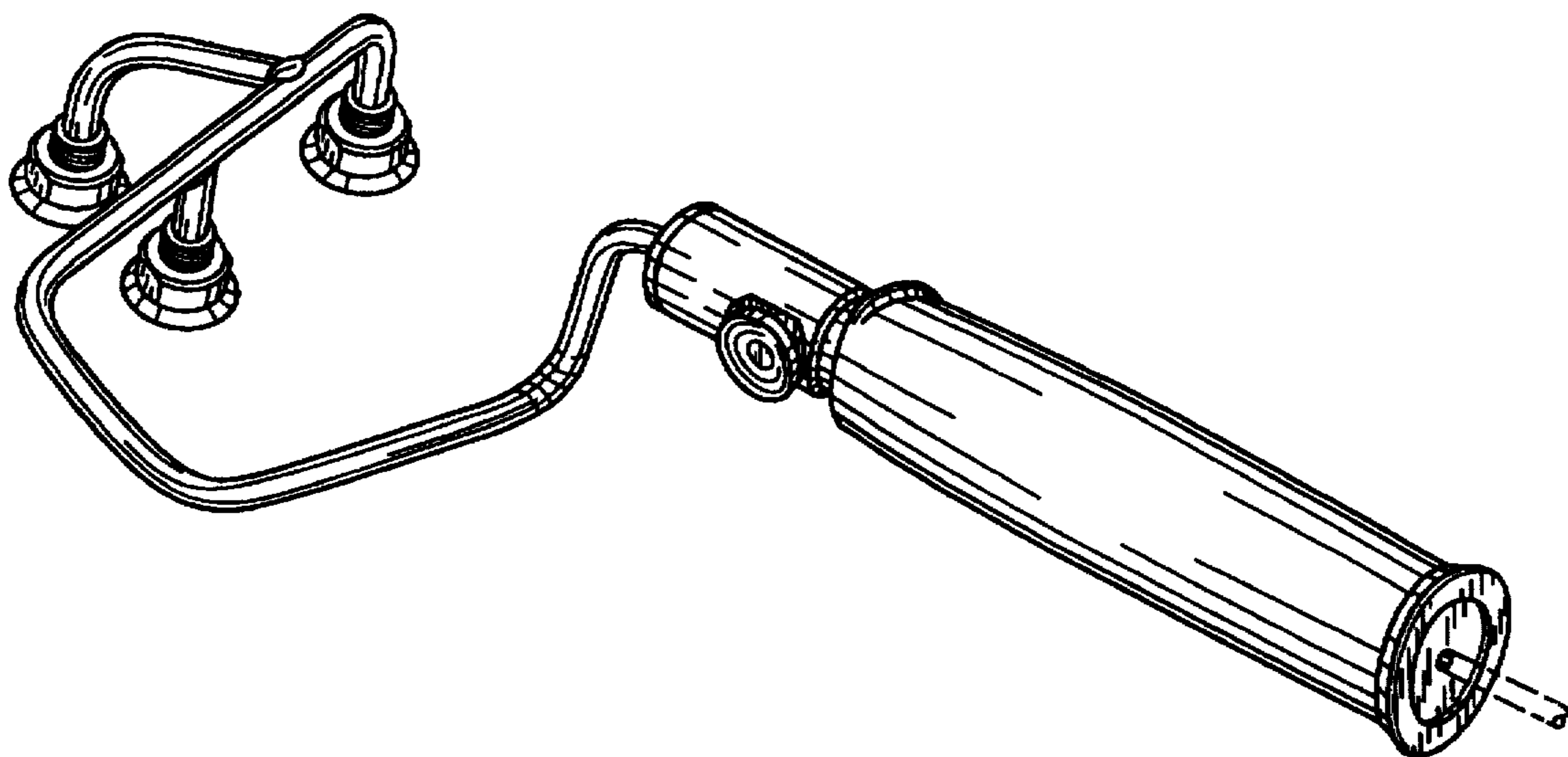


FIG. 1B

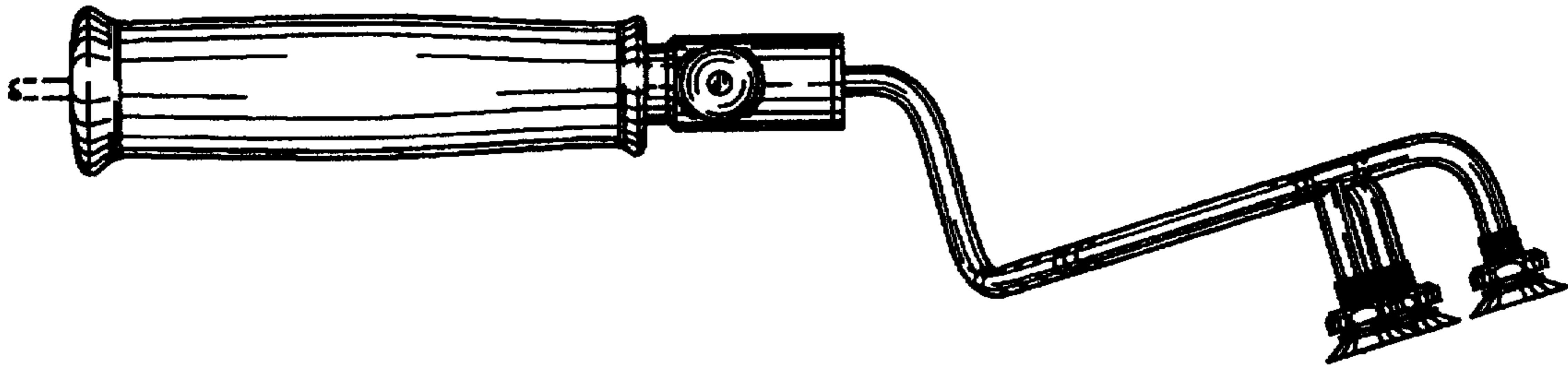


FIG. 2A

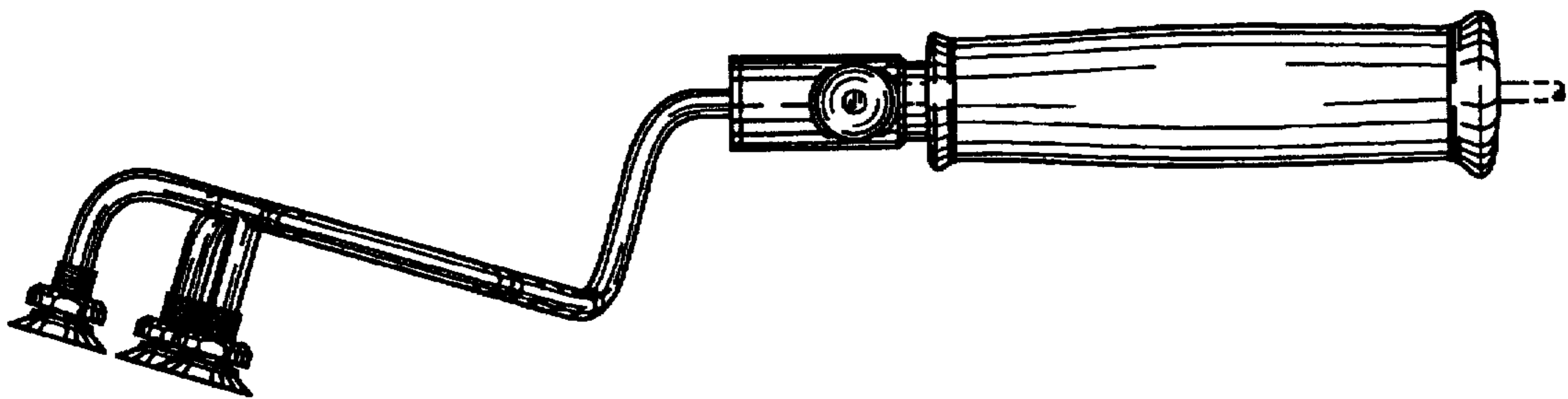


FIG. 2B

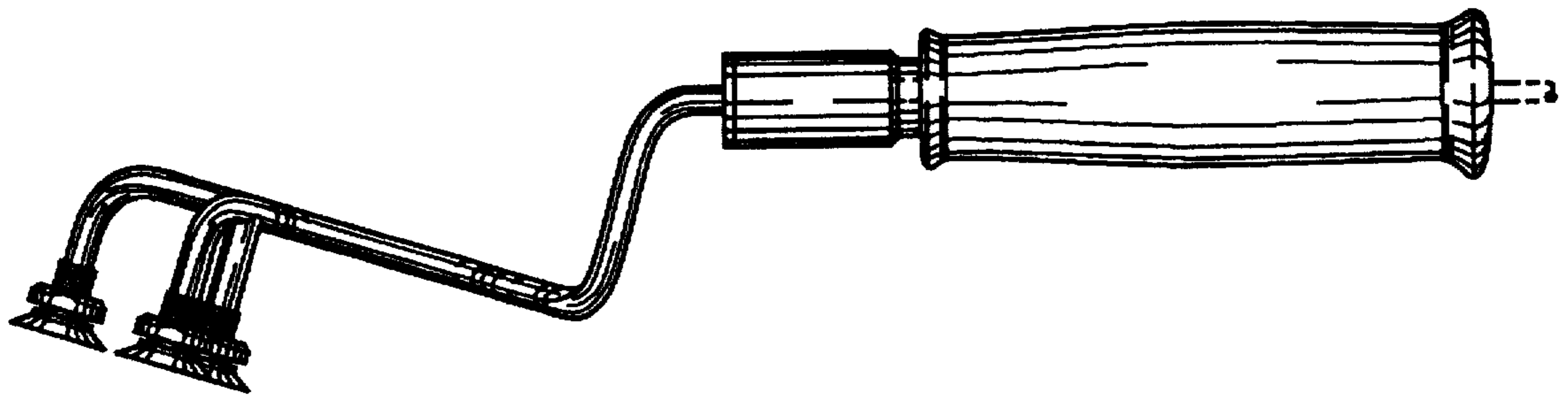


FIG. 3A

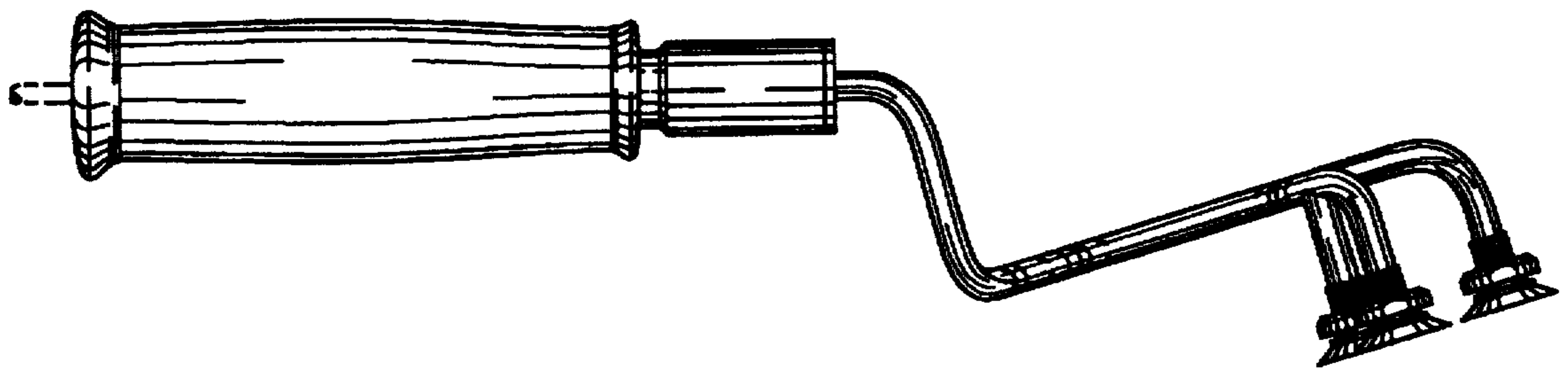


FIG. 3B

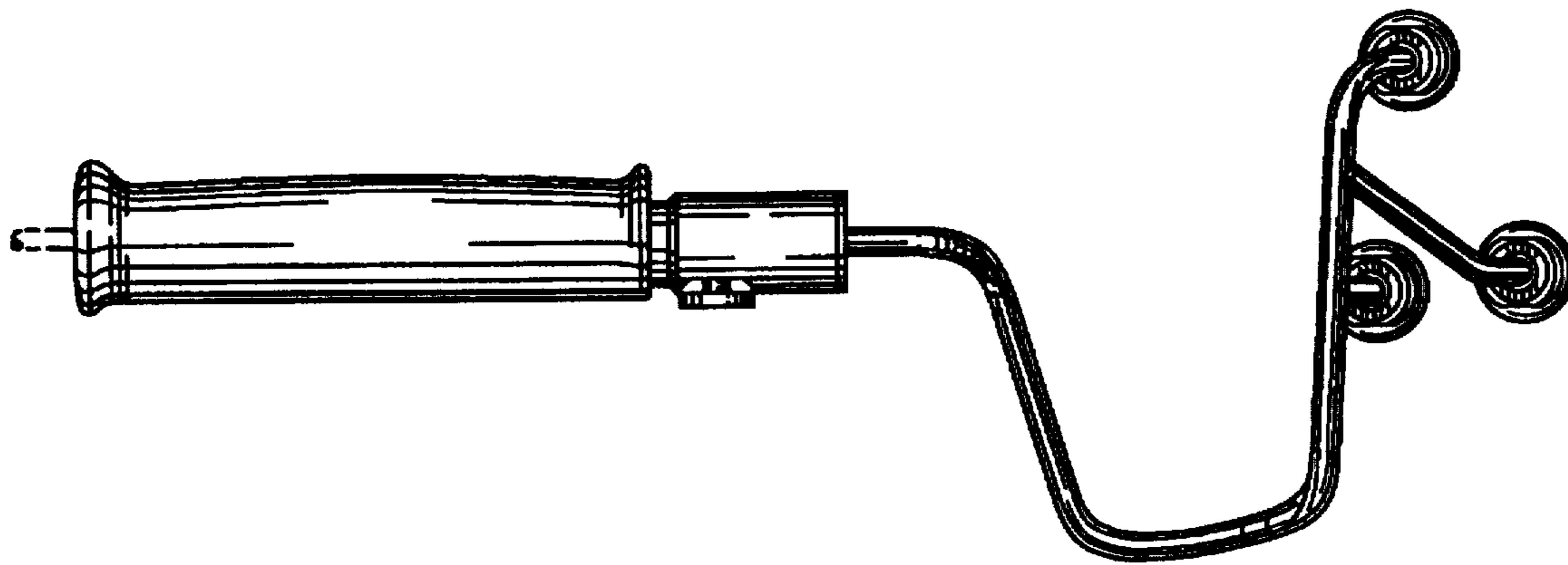


FIG 4A

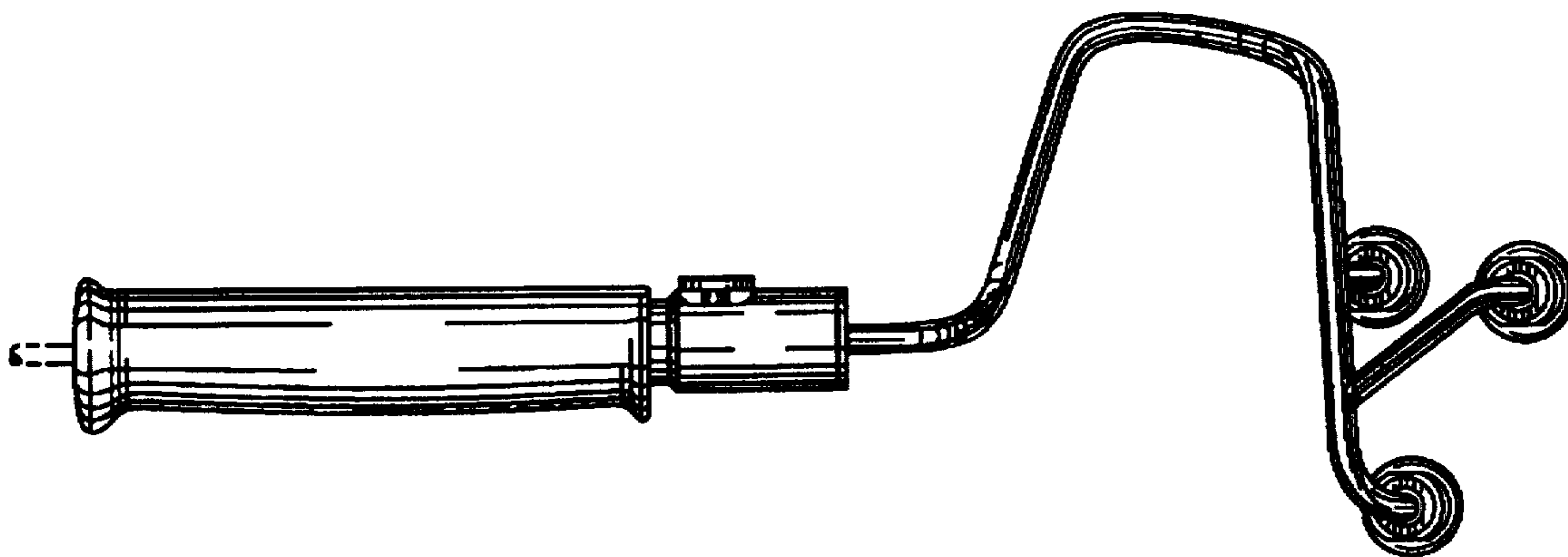


FIG 4B

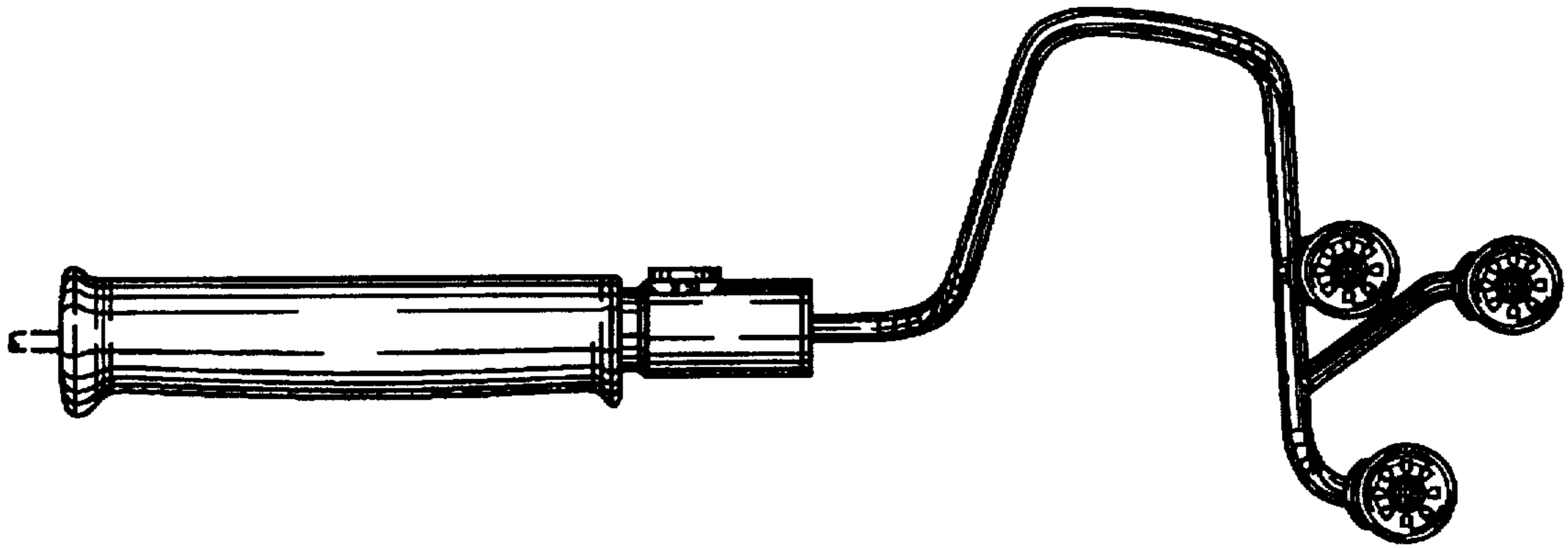


FIG 5A

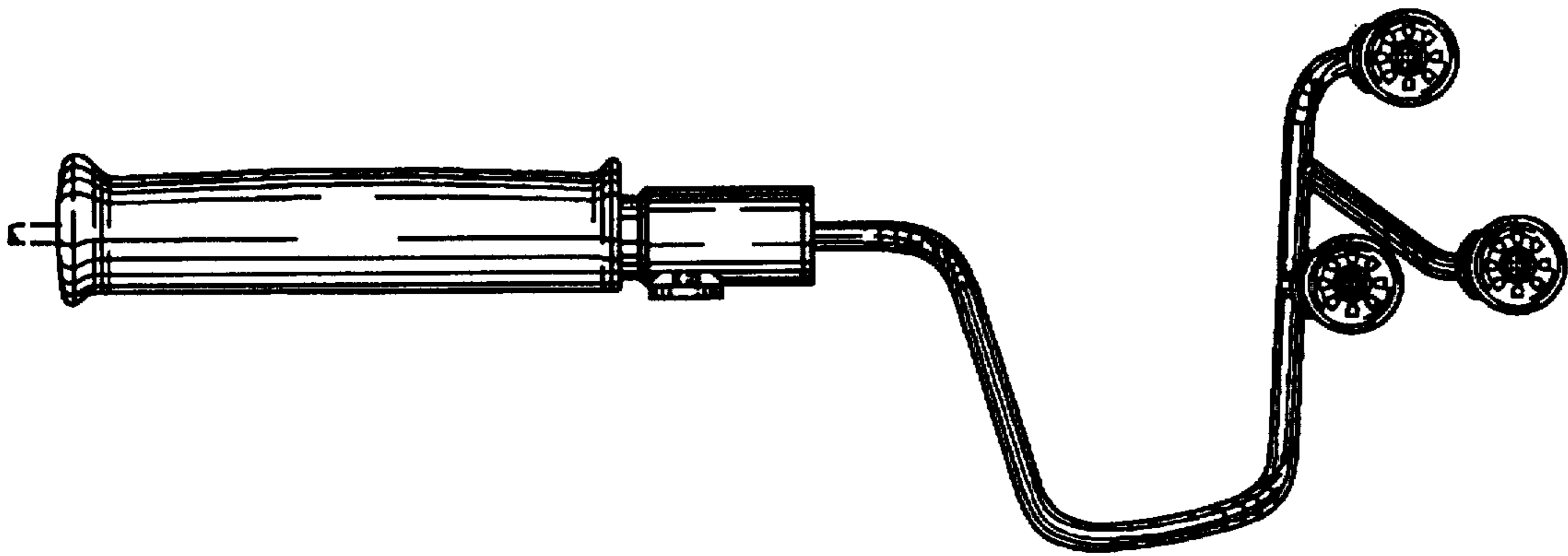


FIG 5B

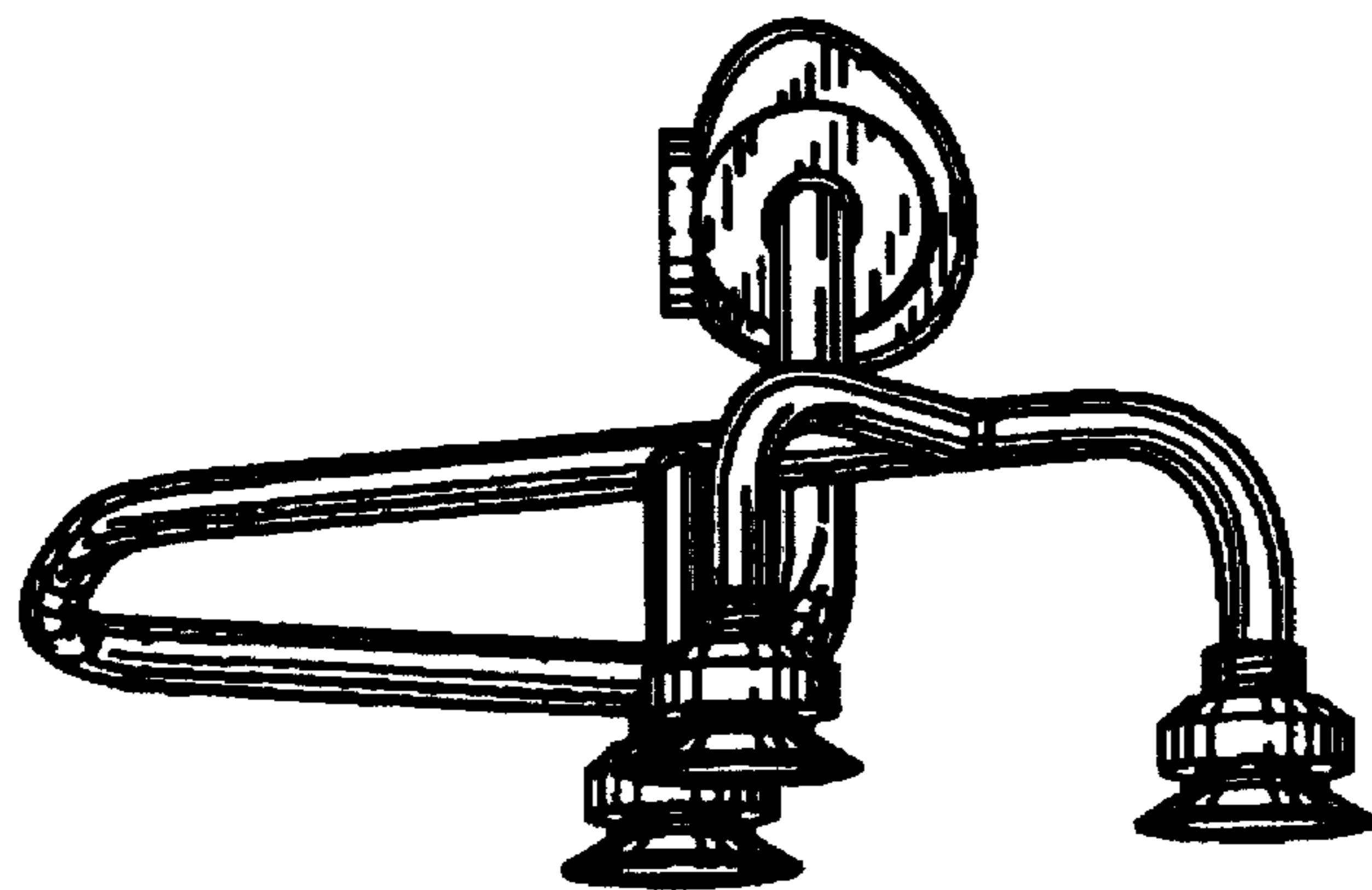


FIG. 6A

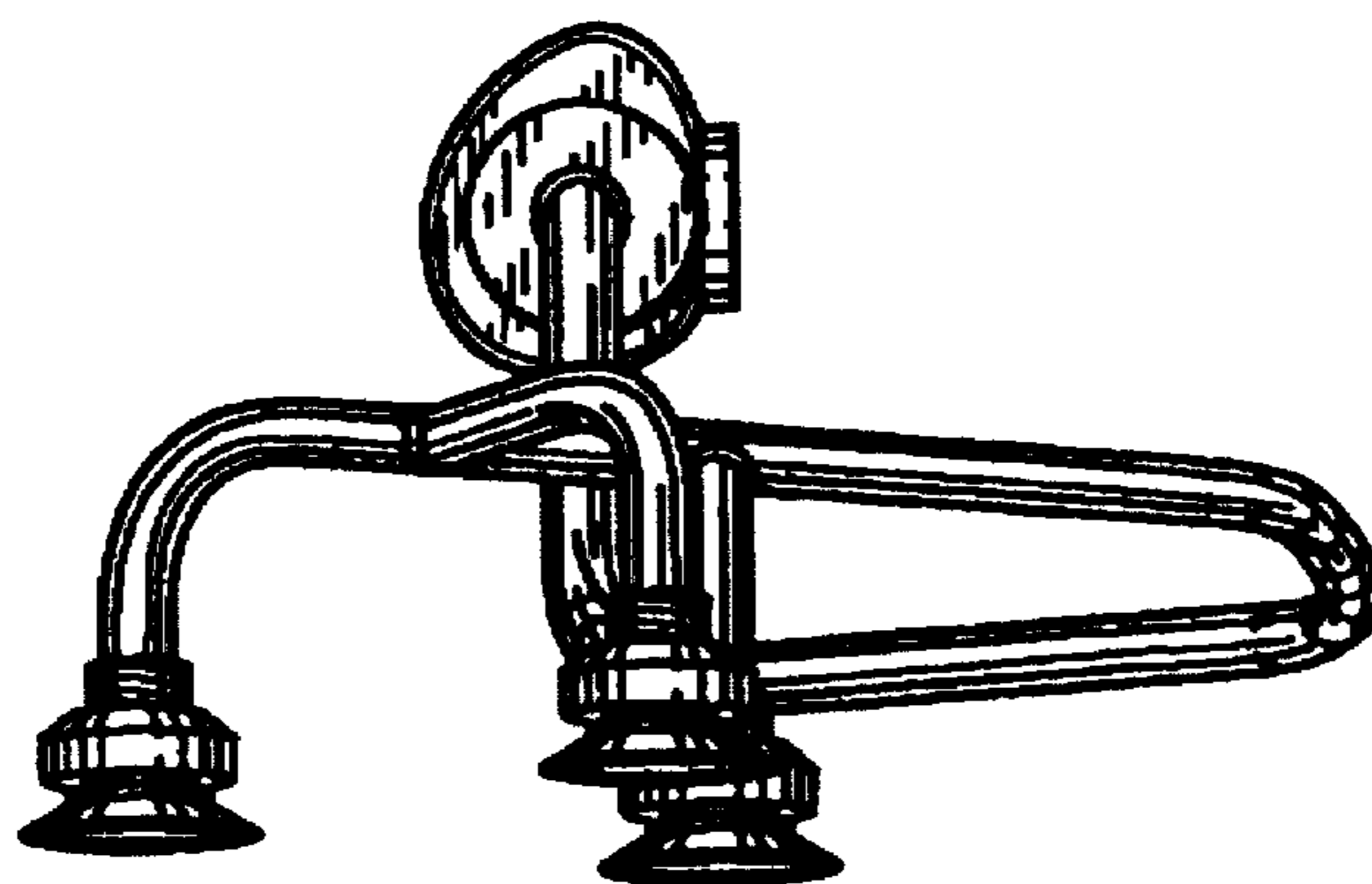


FIG. 6B

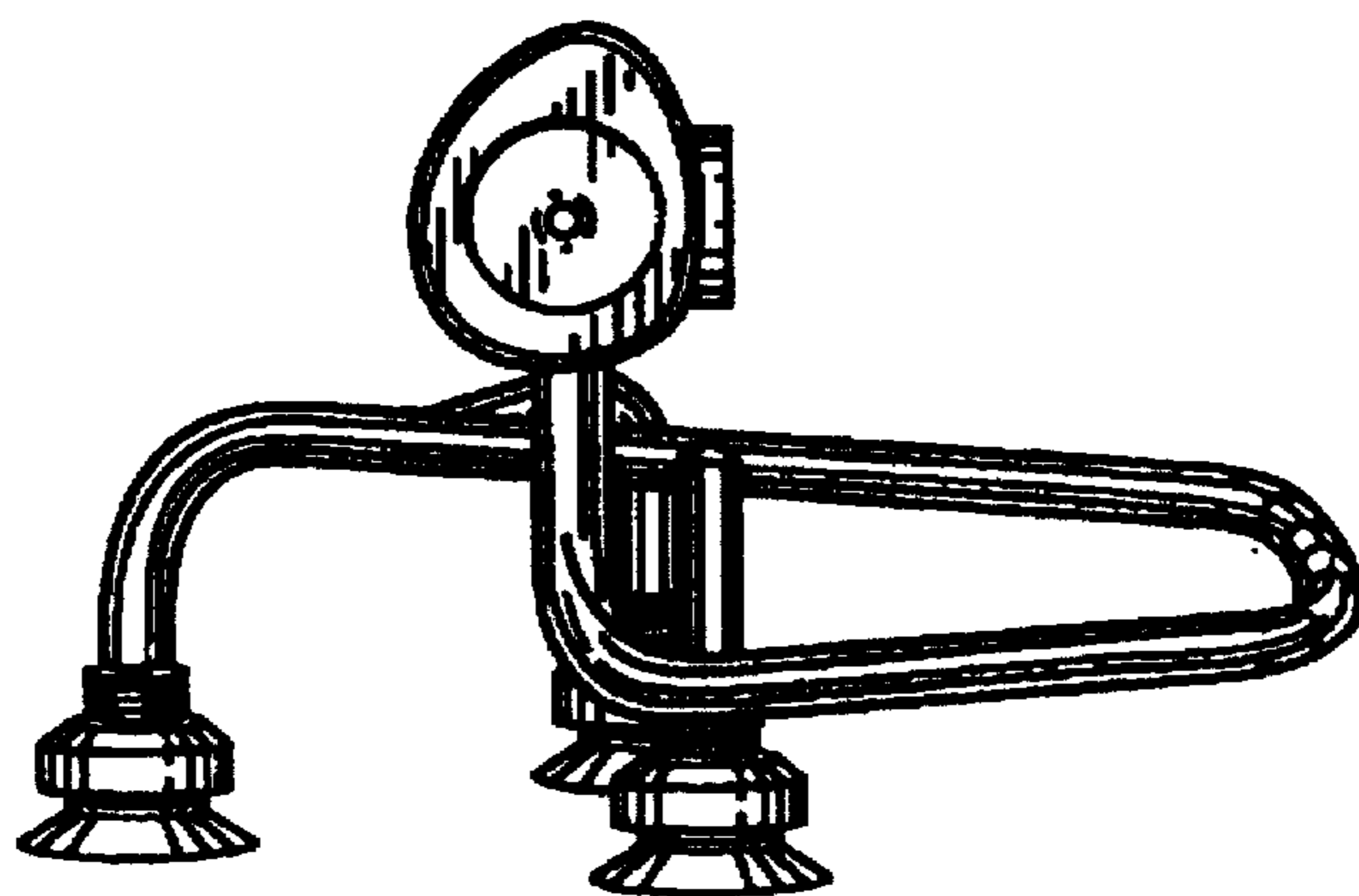


FIG. 7A

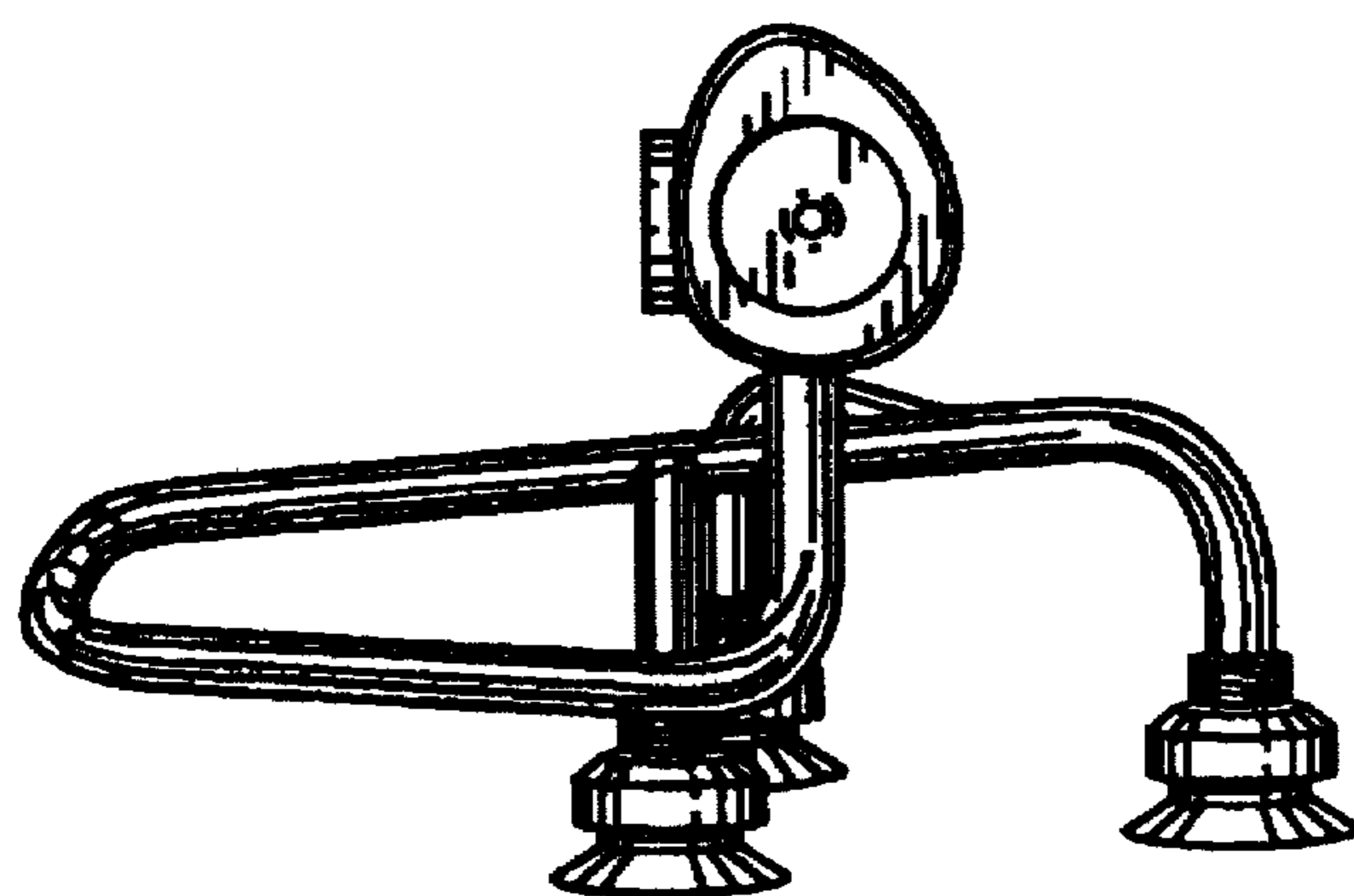


FIG. 7B