



US00D389971S

**United States Patent** [19]  
**Zickenberg**

[11] **Patent Number: Des. 389,971**  
[45] **Date of Patent: \*\*Jan. 27, 1998**

[54] **GARBAGE BAG FUNNEL**

[76] **Inventor: Craig Zickenberg, 5013 Wagon Wheel Way, Antioch, Calif. 94509**

[\*\*] **Term: 14 Years**

[21] **Appl. No.: 65,195**

[22] **Filed: Jan. 23, 1997**

[51] **LOC (6) Cl. .... 09-09**

[52] **U.S. Cl. .... D34/5**

[58] **Field of Search ..... D34/1, 5-7, 10; 383/33, 34, 36; 248/95, 97, 99; 220/908, 909, 403, 404**

[56] **References Cited**

**U.S. PATENT DOCUMENTS**

D. 236,938	9/1975	Bowen	.....	D34/10
D. 345,642	3/1994	Tucker et al.	.....	D34/5
D. 376,237	12/1996	Hayes et al.	.....	D34/5
4,749,011	6/1988	Rylander	.....	248/99
5,000,406	3/1991	Petersen	.....	248/99
5,090,756	2/1992	Pfisterer	.....	248/95

*Primary Examiner*—Holly Baynham  
*Assistant Examiner*—Robin V. Taylor

[57] **CLAIM**

The ornamental design for a garbage bag funnel, as shown.

**DESCRIPTION**

FIG. 1 is a front plan view of the garbage bag funnel of the present invention;

FIG. 2 is a back plan view of the garbage bag funnel of FIG. 1;

FIG. 3 is a left side plan view of the garbage bag funnel of FIG. 1;

FIG. 4 is a right side plan view of the garbage bag funnel of FIG. 1;

FIG. 5 is a top plan view of the garbage bag funnel of FIG. 1; and,

FIG. 6 is a bottom plan view of the garbage bag funnel of FIG. 1.

The broken line showing of a garbage bag in FIG. 3 is for illustrative purposes only and forms no part of the claimed design.

**1 Claim, 3 Drawing Sheets**

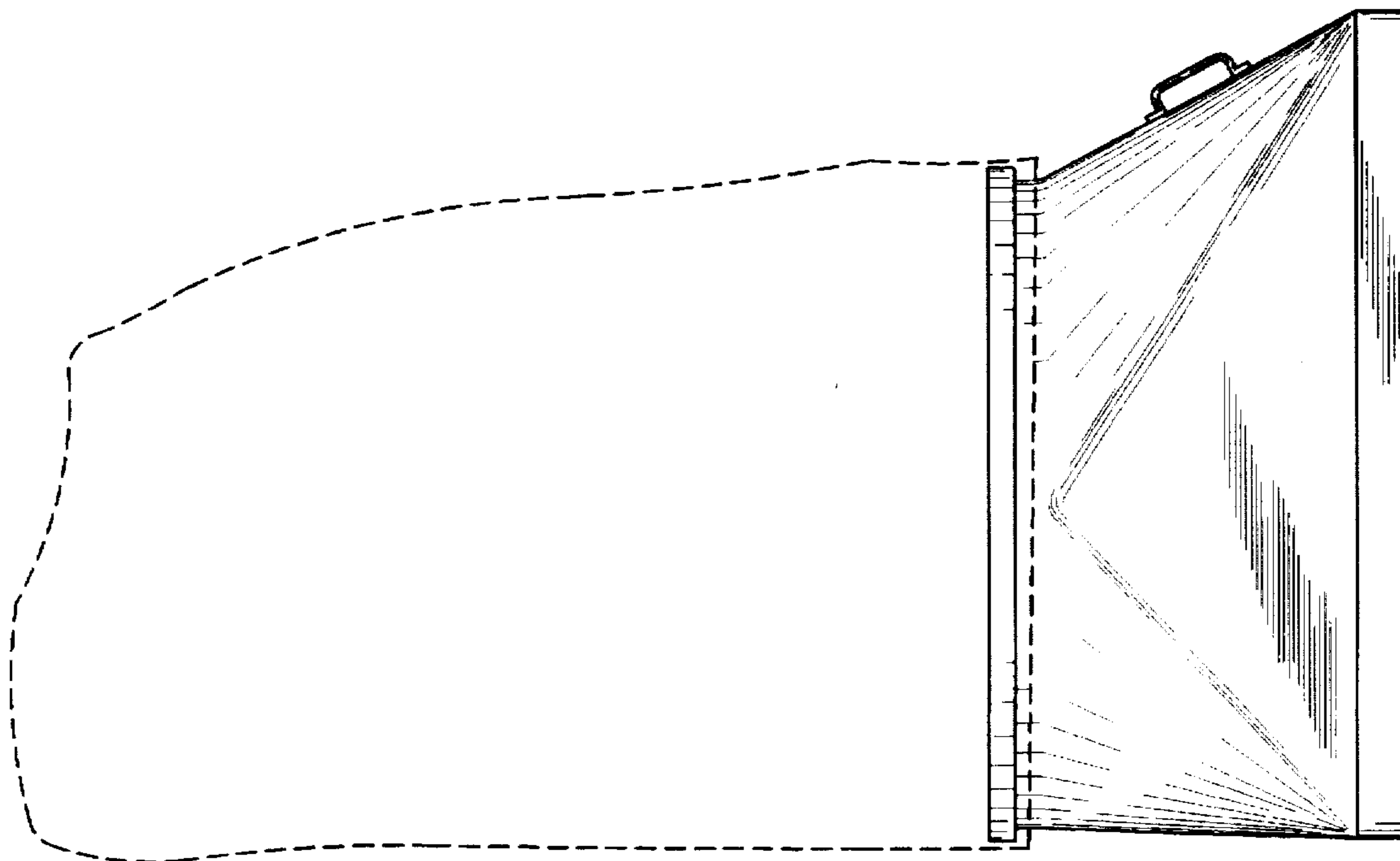


FIG. 1

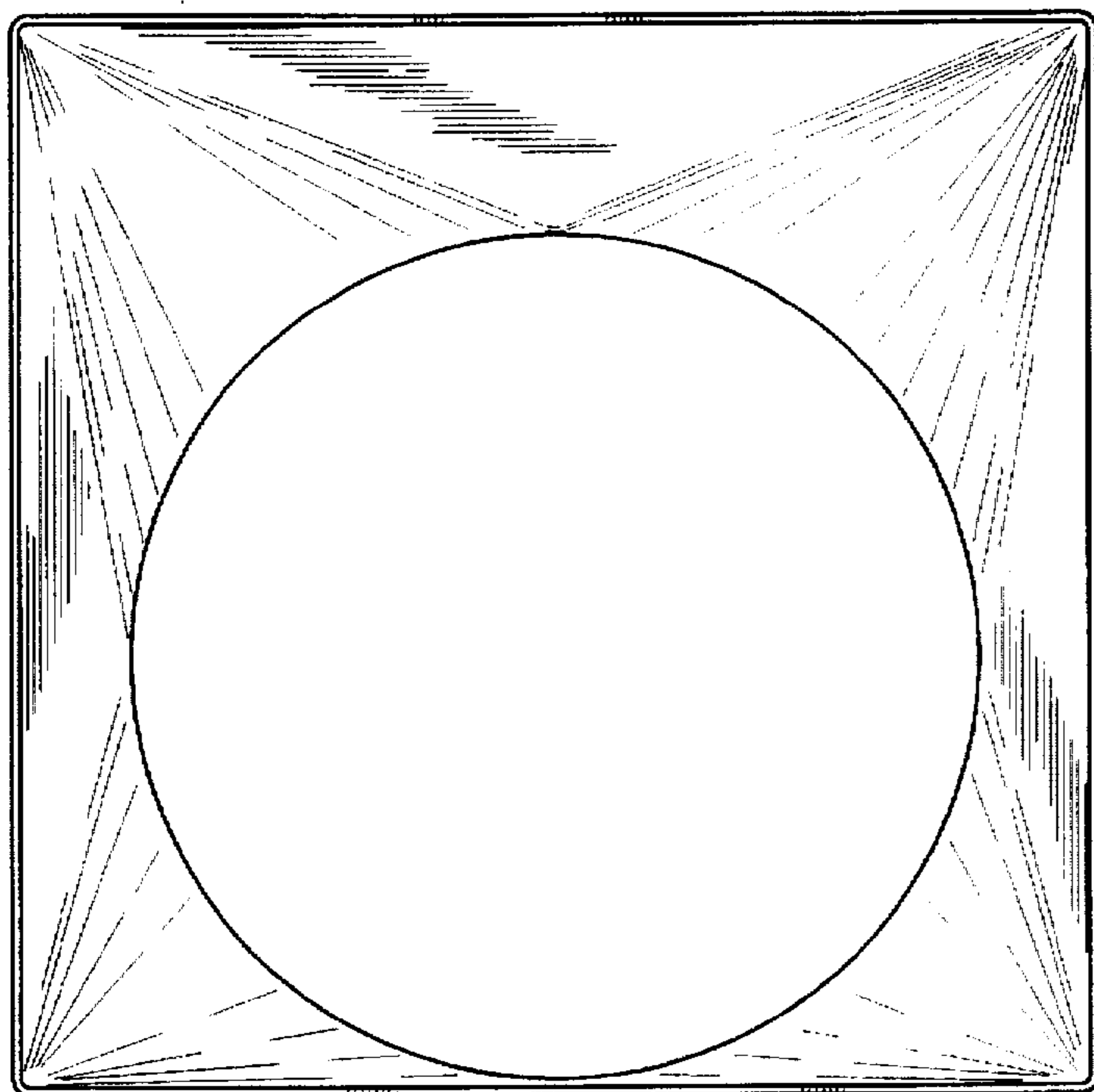


FIG. 2

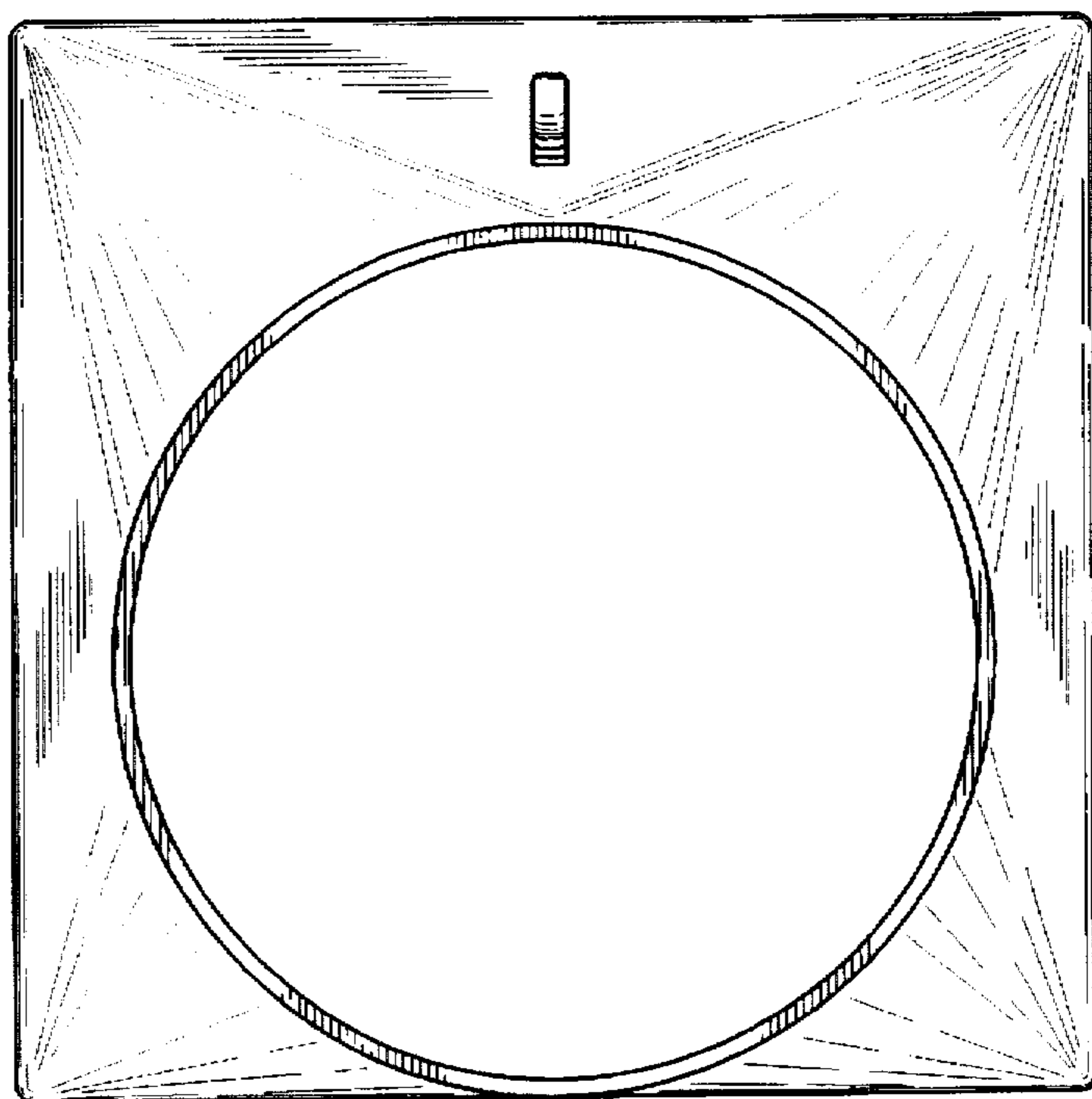


FIG. 3

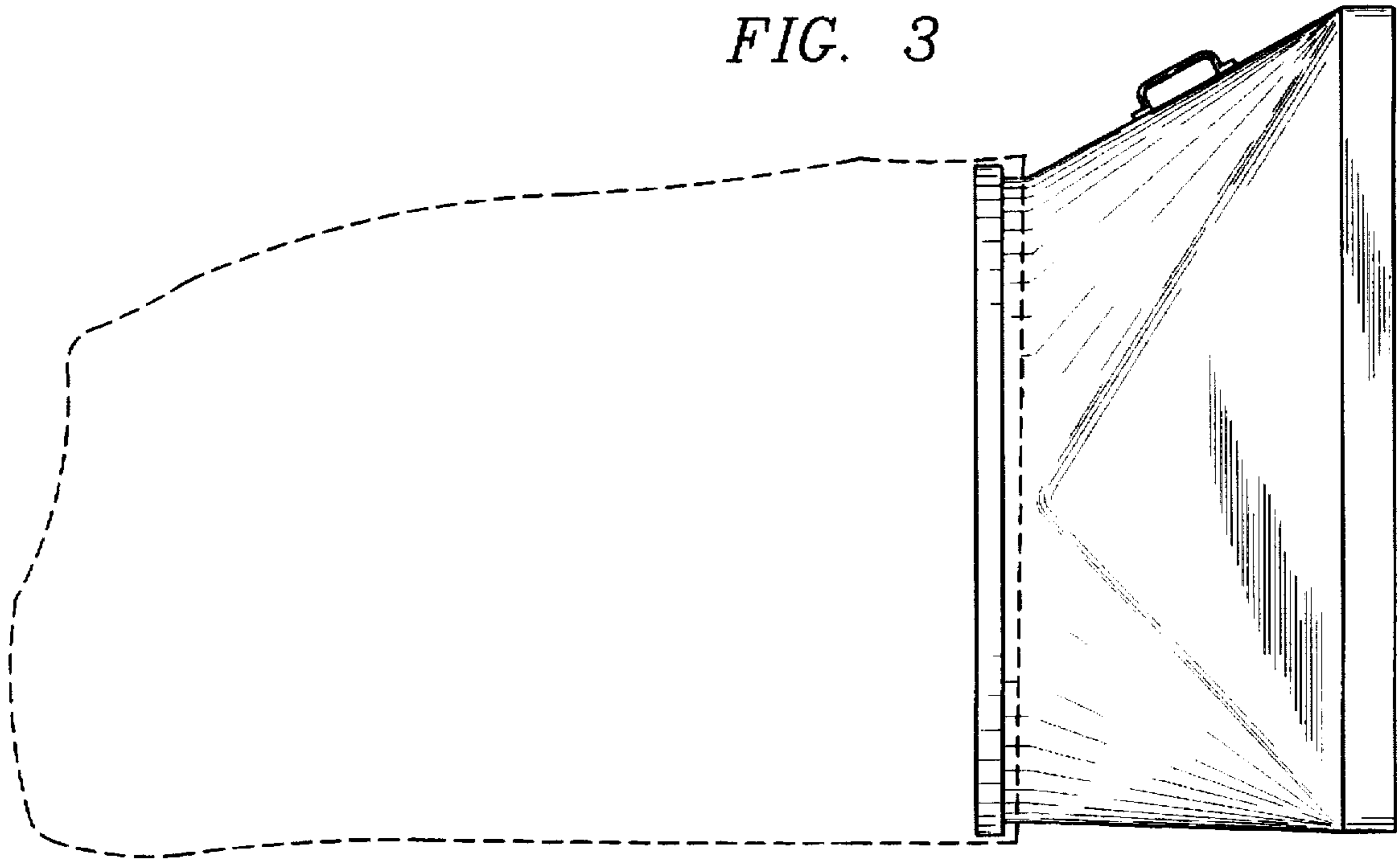


FIG. 4

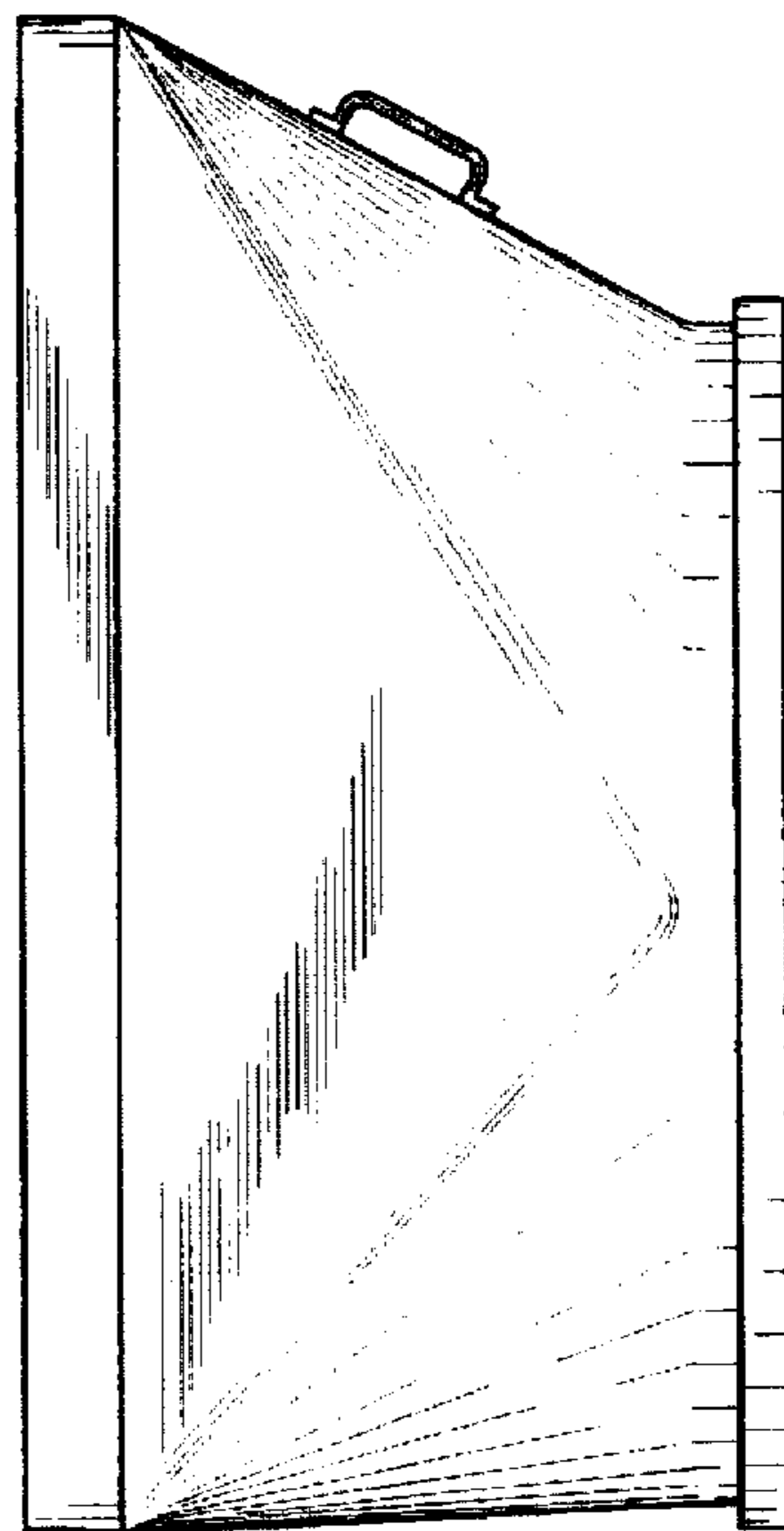


FIG. 5

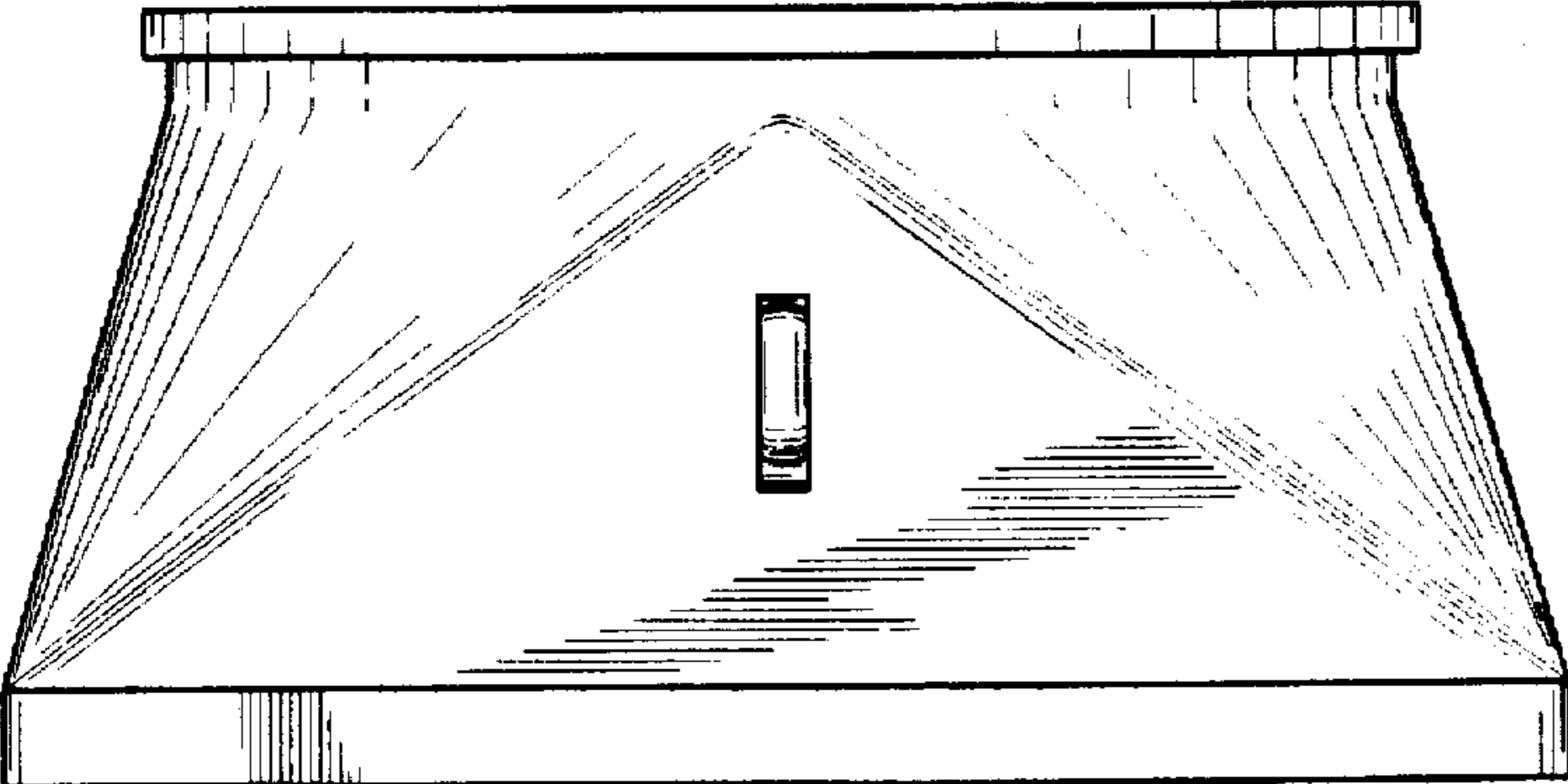


FIG. 6

