



US00D389970S

United States Patent [19]
Darnell

[11] **Patent Number:** **Des. 389,970**
[45] **Date of Patent:** ****Jan. 27, 1998**

[54] **REFUSE CONTAINER**

D. 318,164 7/1991 Marzocchi D34/1
D. 335,560 5/1993 Fennell D34/1

[75] **Inventor:** **G. Kevin Darnell, Lakeland, Fla.**

Primary Examiner—Kay H. Chin
Assistant Examiner—Robin V. Taylor
Attorney, Agent, or Firm—Allen, Dyer, Doppelt, Milbrath & Gilchrist, P.A.

[73] **Assignees:** **Anthony Martorana; Ross Allen Pedigo**, both of Lakeland, Fla.; a part interest to each

[**] **Term:** **14 Years**

[57] **CLAIM**

The ornamental design for a refuse container, as shown and described.

[21] **Appl. No.:** **63,559**

[22] **Filed:** **Dec. 10, 1996**

DESCRIPTION

[51] **LOC (6) Cl.** **09-09**

[52] **U.S. Cl.** **D34/1**

[58] **Field of Search** D34/1, 5-7, 10, D34/11; 220/908, 909, 403, 404, 407-409

FIG. 1 is a top, right, front perspective view showing my new design;
FIG. 2 is a top plan view thereof;
FIG. 3 is a front elevation view thereof;
FIG. 4 is a bottom plan view thereof;
FIG. 5 is a right elevation view thereof; and
FIG. 6 is a left elevation view thereof.

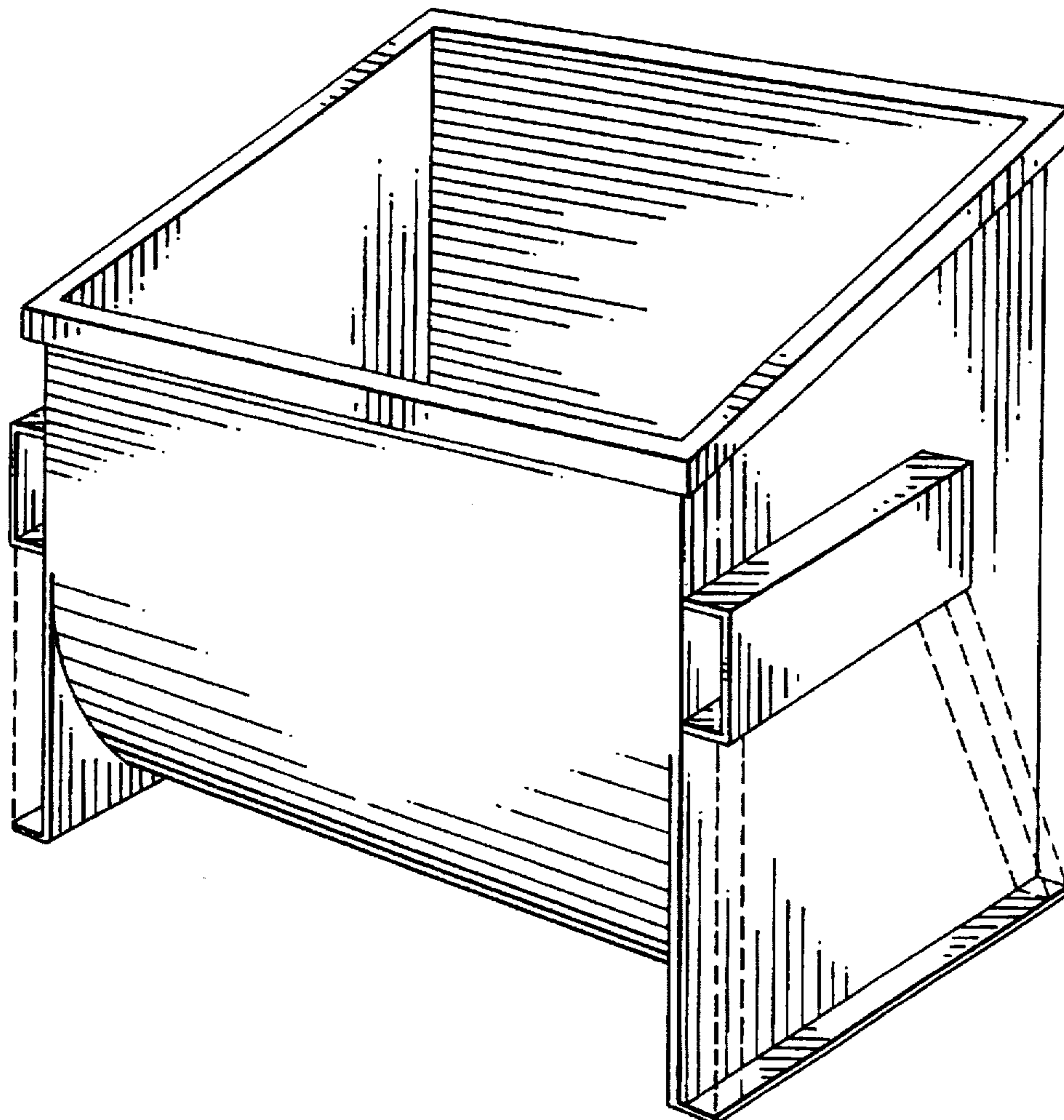
The broken line showing is for illustrative purposes only and forms no part of the claimed design.

[56] **References Cited**

U.S. PATENT DOCUMENTS

D. 62,959 8/1923 Olsen D34/1
D. 229,473 12/1973 Henry D34/1
D. 263,016 2/1982 Keller D34/1

1 Claim, 3 Drawing Sheets



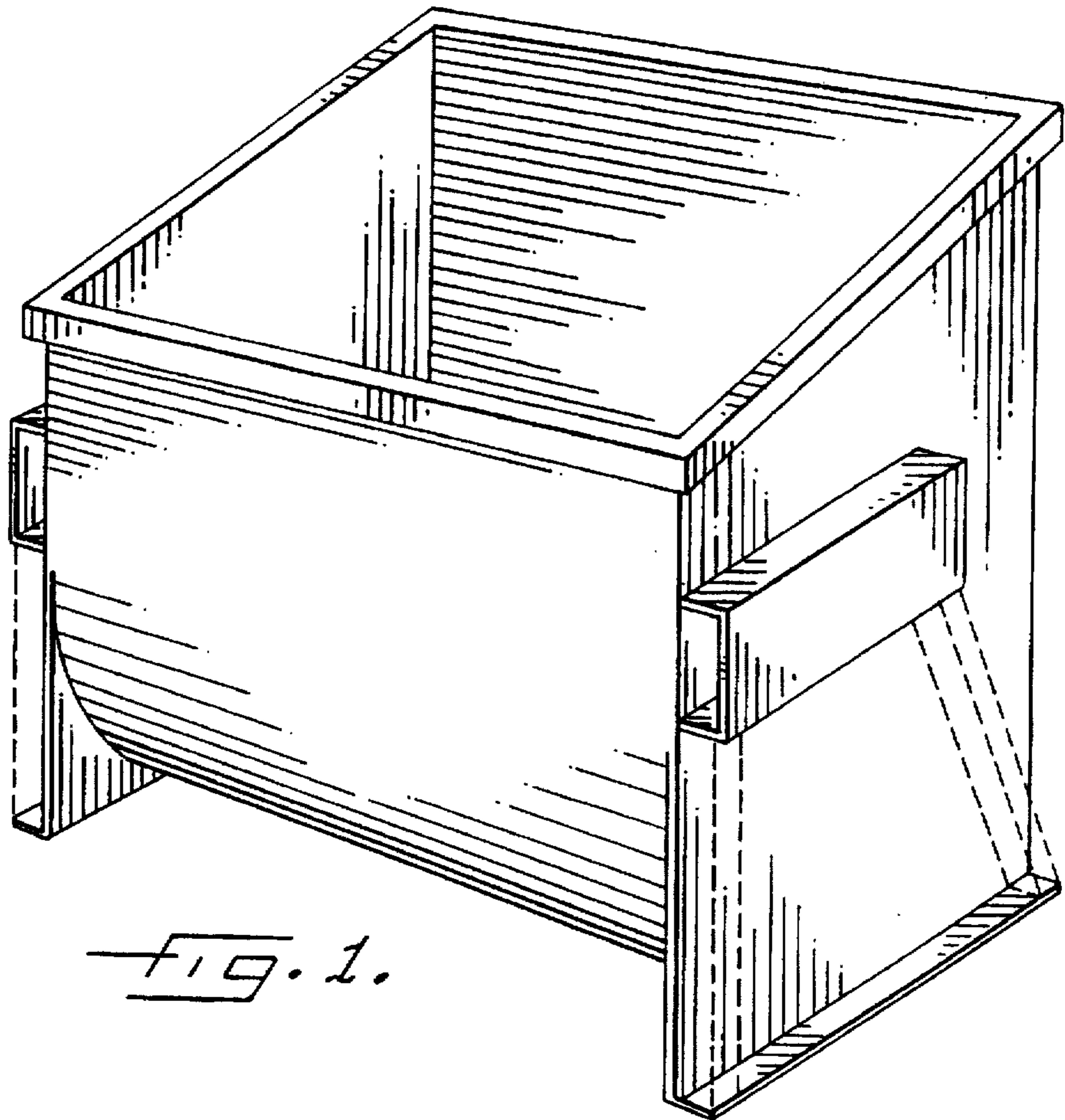


FIG. 1.

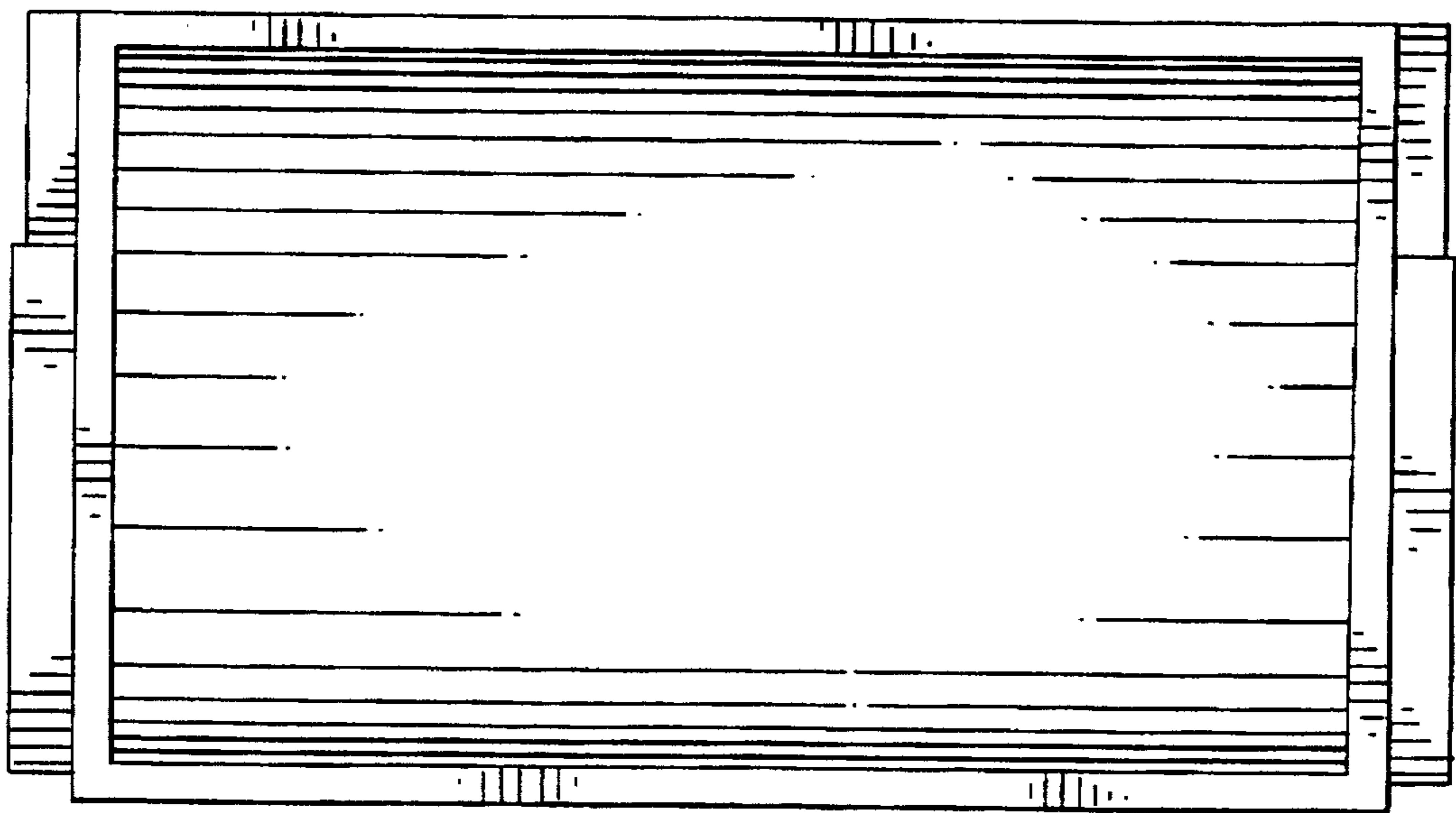


FIG. 2.

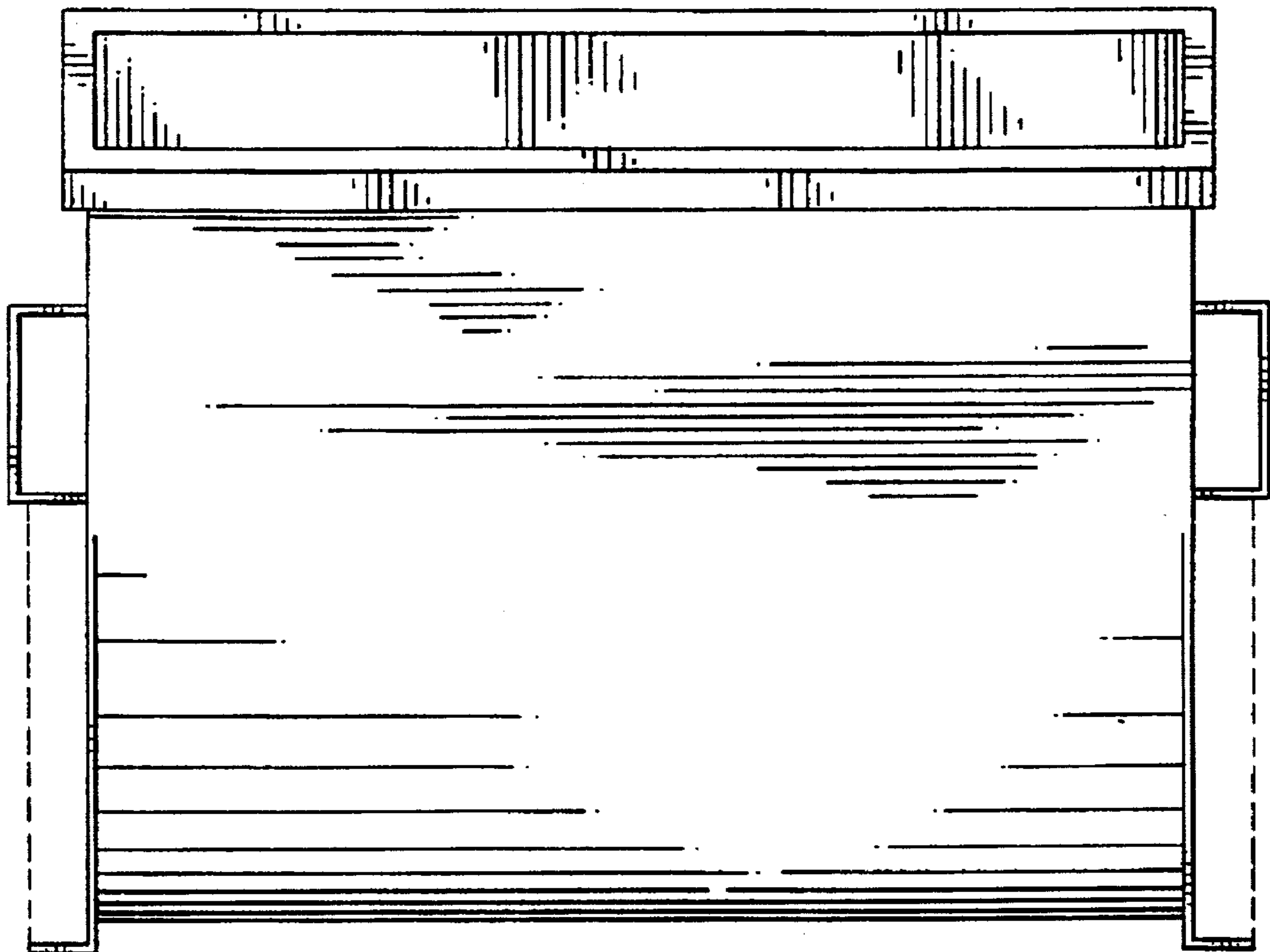


FIG. 3.



FIG. 4.

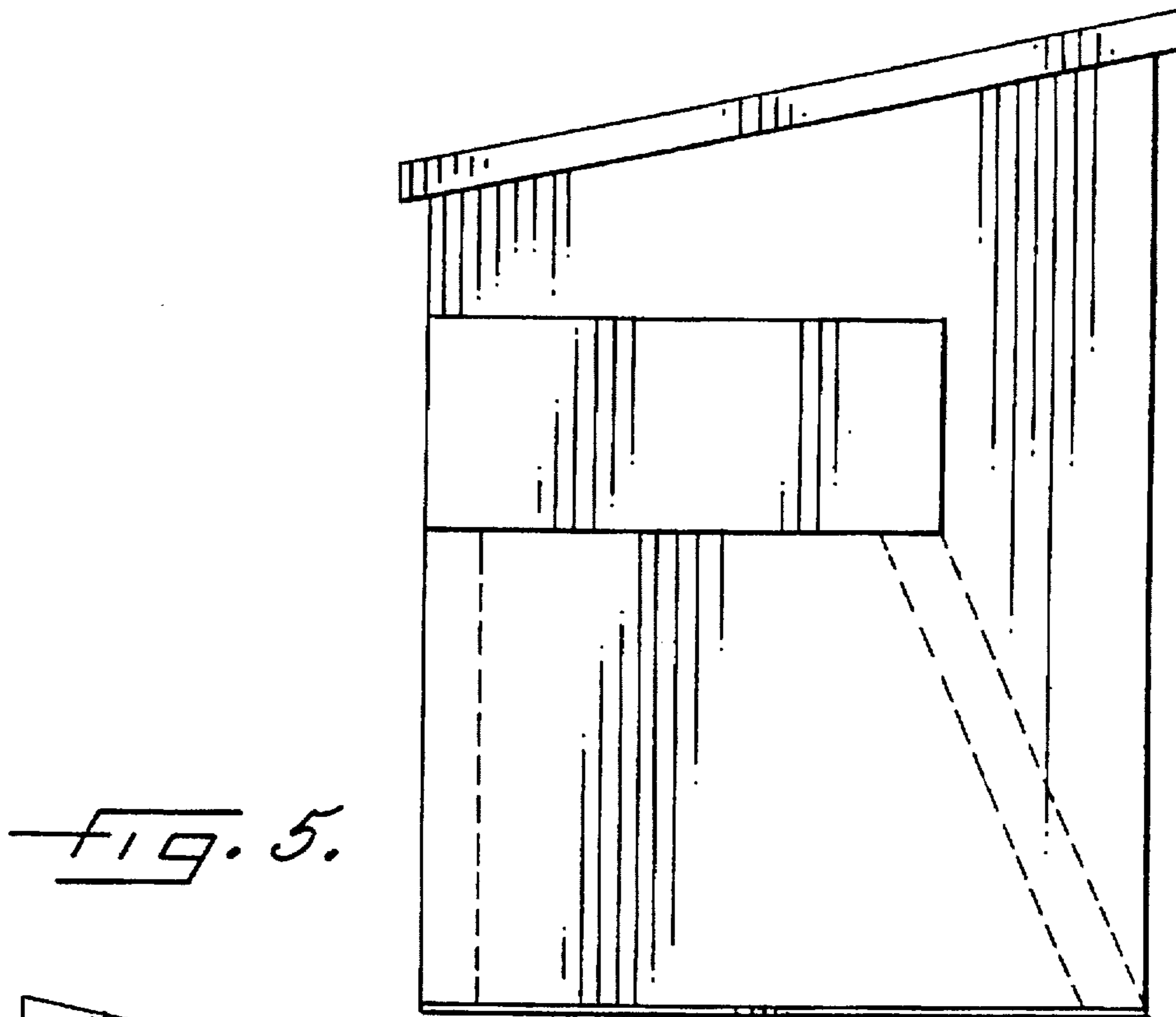


FIG. 5.

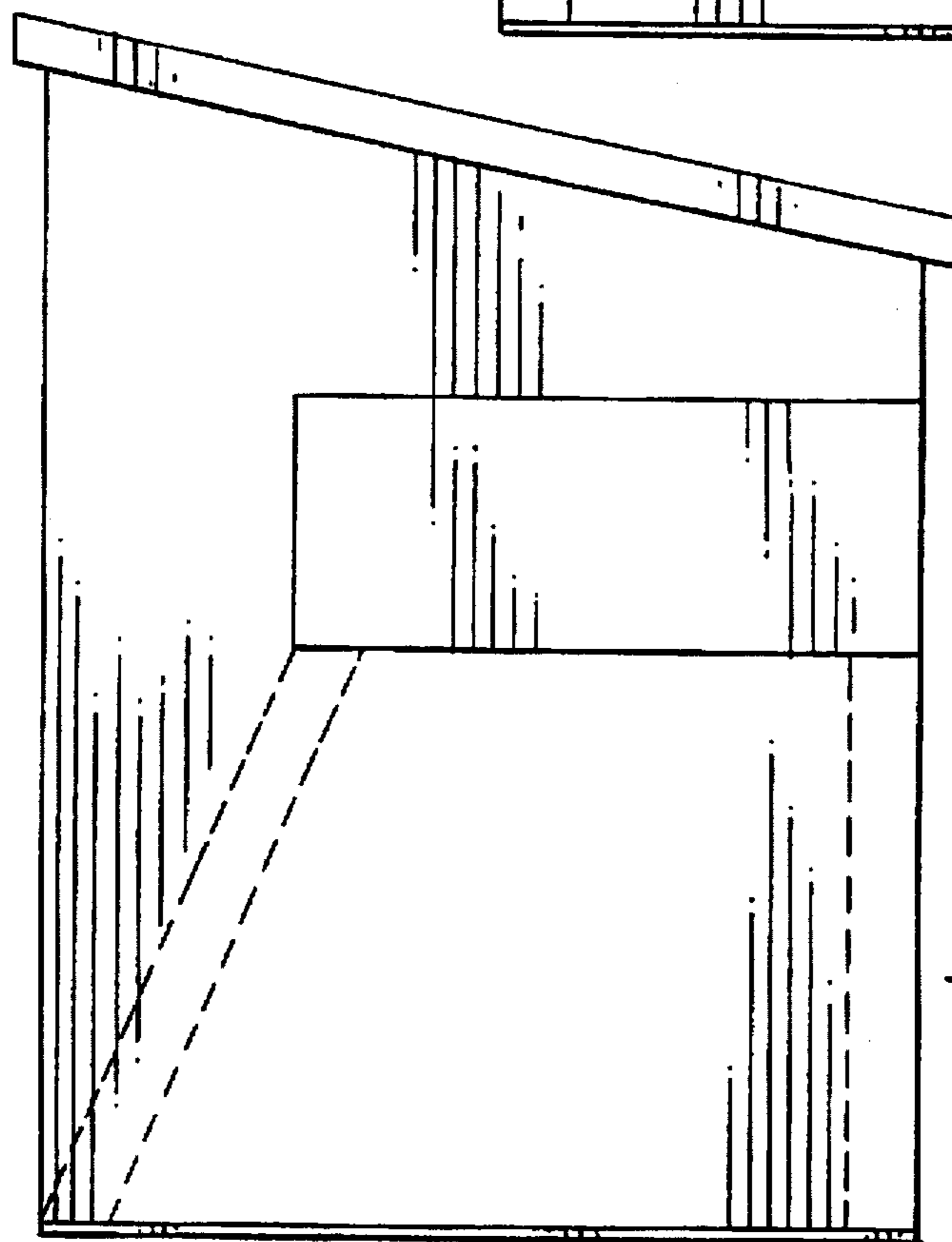


FIG. 6.