



US00D389964S

United States Patent [19]

Lewandowski et al.

[11] Patent Number: Des. 389,964

[45] Date of Patent: **Jan. 27, 1998

[54] **MEDICAL WASTE SPILL KIT INCLUDING A WASTE SOLIDIFIER, A SURFACE DISINFECTANT AND A SCOOP**

[75] Inventors: **Jan J. Lewandowski**, South Euclid; **Nick A. Deeter**, Fairview Park; **John A. Engelhardt**, Bainbridge, all of Ohio

[73] Assignee: **ViAatro, Corp.**, Cleveland, Ohio

[**] Term: **14 Years**

[21] Appl. No.: **64,024**

[22] Filed: **Dec. 20, 1996**

[51] **LOC (6) Cl.** **08-99**

[52] **U.S. Cl.** **D32/35; D9/300; D9/448; D24/46; 401/139; D32/45**

[58] **Field of Search** **D32/40, 41, 42, D32/35, 45, 46; 15/105, 257.1; D9/300, 448; D24/216, 127; 401/137, 138, 139, 140, 16-18, 34-27, 37-38**

[56] References Cited

U.S. PATENT DOCUMENTS

D. 337,264	7/1993	Nakagawa et al.	D9/300
D. 373,863	9/1996	Sheperd	D32/45 X
2,770,826	11/1956	Curfman	.	
4,719,660	1/1988	Hopkins	15/105
4,778,301	10/1988	Sicotte	401/139
5,095,573	3/1992	Henke et al.	15/105

Primary Examiner—Susan J. Lucas
Assistant Examiner—Cynthia E. Ramirez
Attorney, Agent, or Firm—James A. Hudak

[57] CLAIM

The ornamental design for a medical waste spill kit including a waste solidifier, a surface disinfectant and a scoop, as shown and described.

DESCRIPTION

FIG. 1 is an exploded perspective view of the medical waste

spill kit including a waste solidifier, a surface disinfectant and a scoop, showing our new design;

FIG. 2 is a perspective view of the spill kit in the assembled condition;

FIG. 3 is a bottom plan view of the spill kit in the assembled condition;

FIG. 4 is a top plan view of the spill kit in the assembled condition;

FIG. 5 is a front plan view of the spill kit in the assembled condition, the rear plan view being a mirror image of this Figure;

FIG. 6 is a right end elevational view of the spill kit;

FIG. 7 is a left end elevational view of the spill kit;

FIG. 8 is a top plan view of the cap affixed to the right end of the spill kit, and wherein the flaps on the cap are shown in the closed condition;

FIG. 9 is a front elevational view of the cap shown in FIG. 8, the rear elevational view being a mirror image of this Figure, and wherein the flaps on the cap are shown in closed condition;

FIG. 10 is a left side elevational view of the cap shown in FIG. 8, the right side elevational view being a mirror image of this Figure, and wherein the flaps on the cap are shown in the closed condition;

FIG. 11 is a top plan view of the cap shown in FIG. 8, and wherein the flaps on the cap are shown in the opened condition;

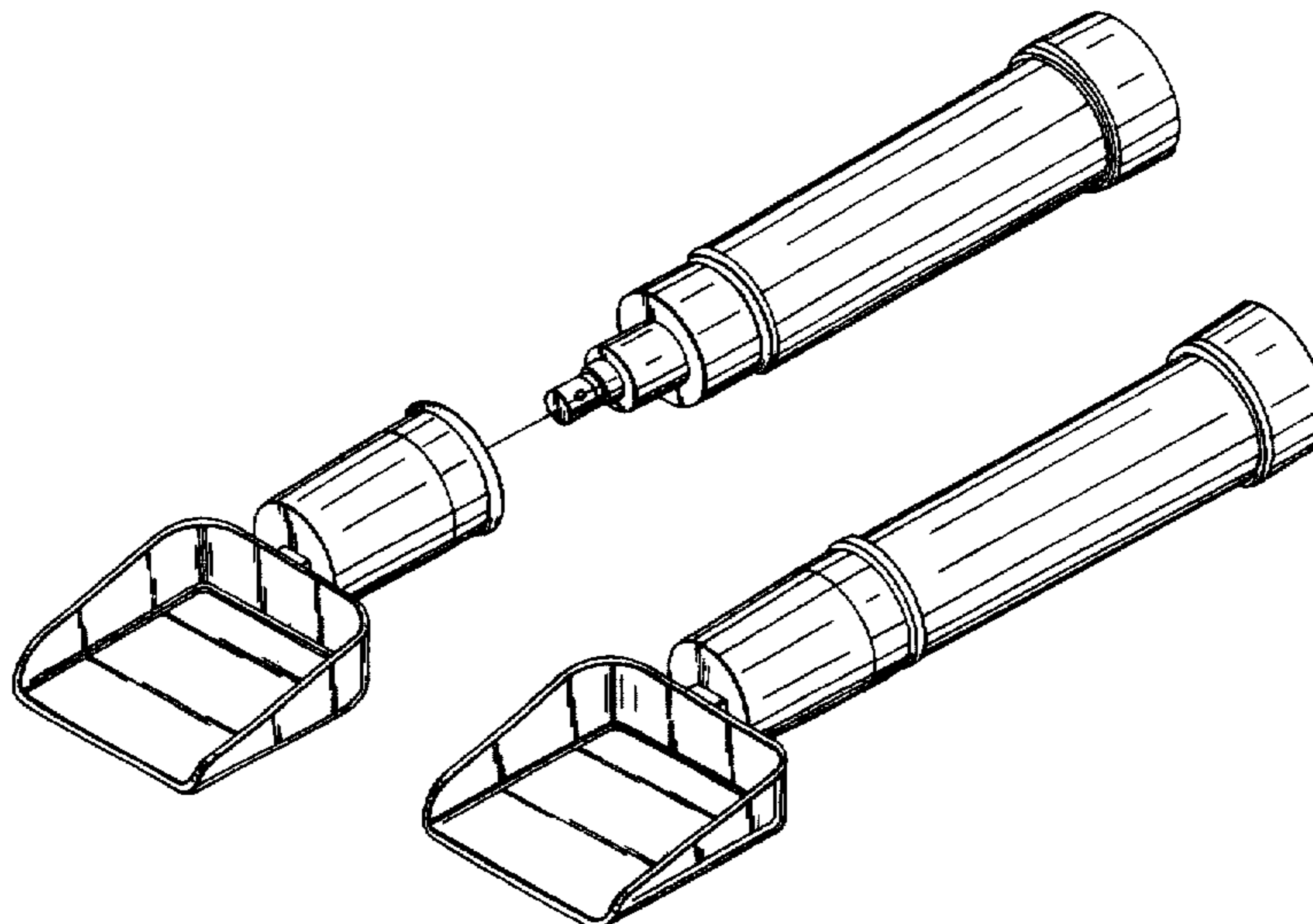
FIG. 12 is a right side elevational view of the cap shown in FIG. 11, the left side elevational view being a mirror image of this Figure, and wherein the flaps on the cap are shown in the opened condition;

FIG. 13 is a front elevational view of the cap shown in FIG. 11, and wherein the flaps are shown in the opened condition; and,

FIG. 14 is a rear elevational view of the cap shown in FIG. 11, and where on the flaps are shown in the opened condition.

The body of the spill kit has been omitted in FIGS. 8 through 14 for convenience of illustration.

1 Claim, 4 Drawing Sheets



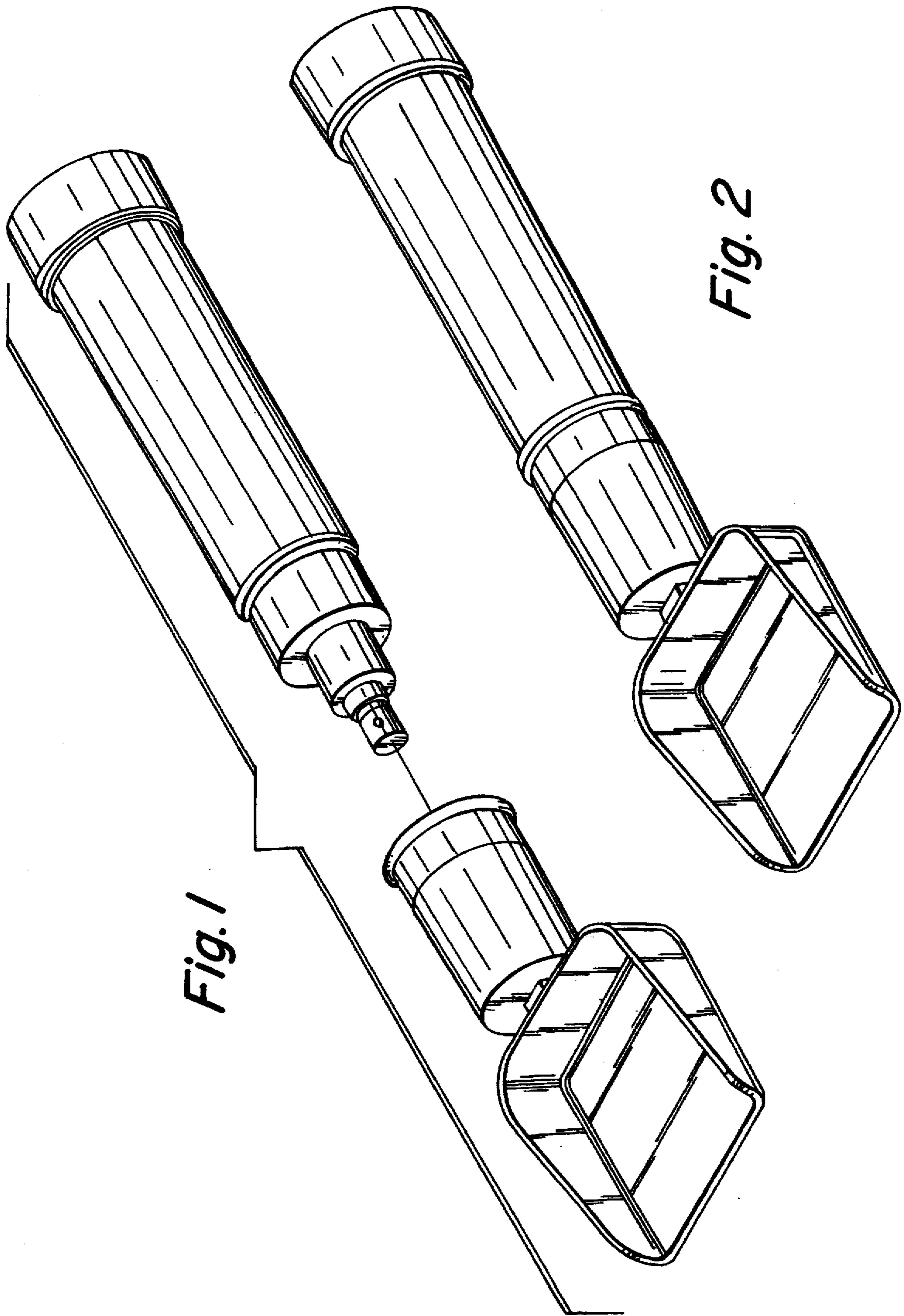


Fig. 1

Fig. 2

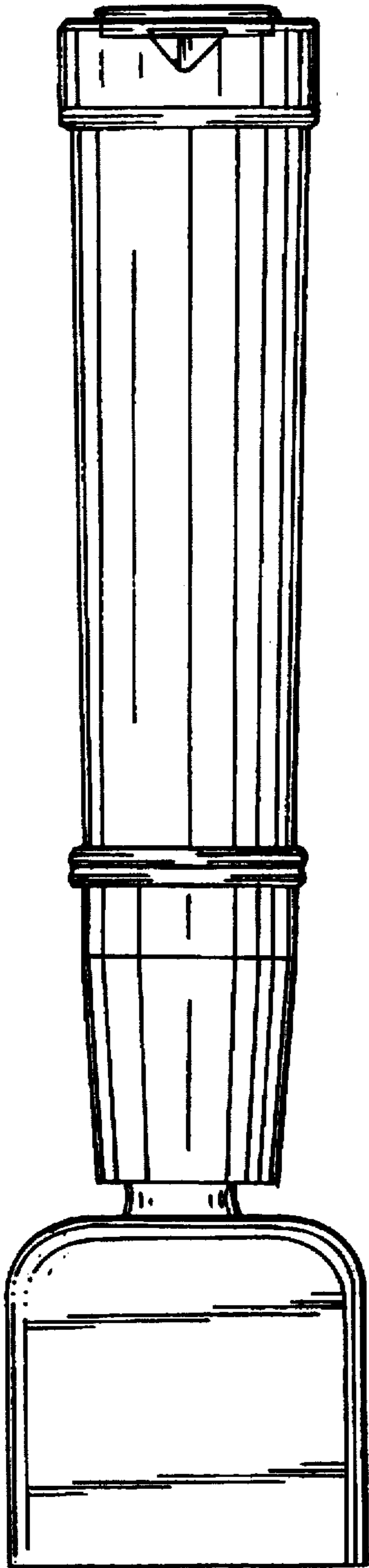


Fig. 3

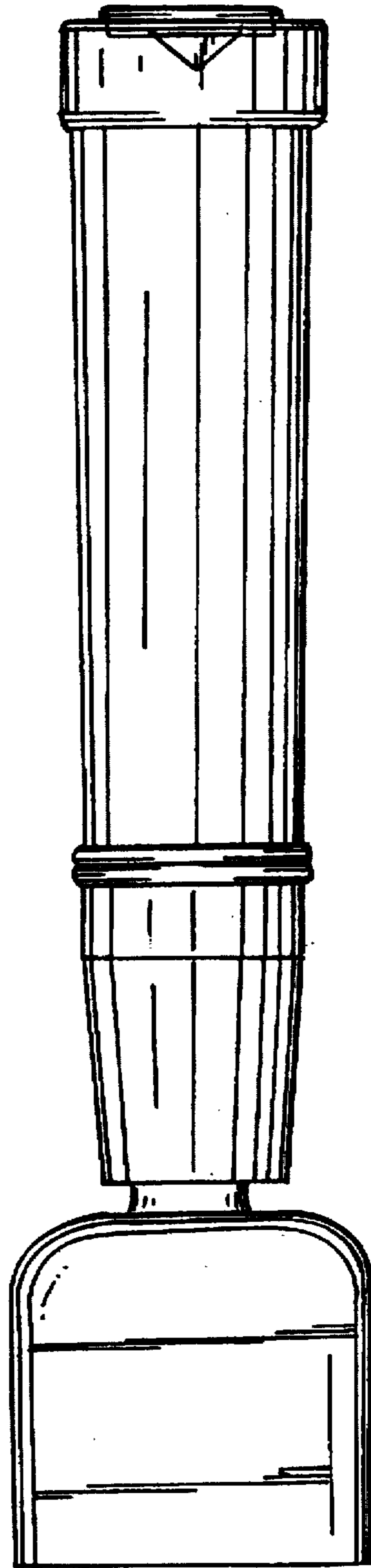


Fig. 4

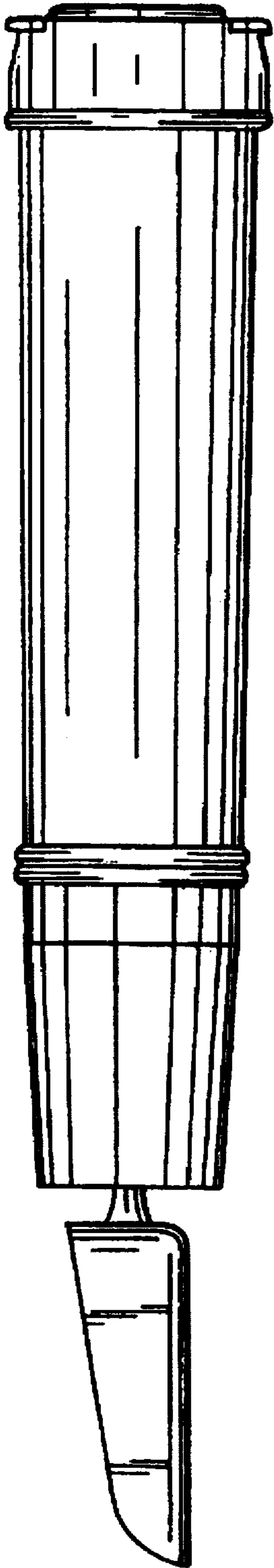


Fig. 5

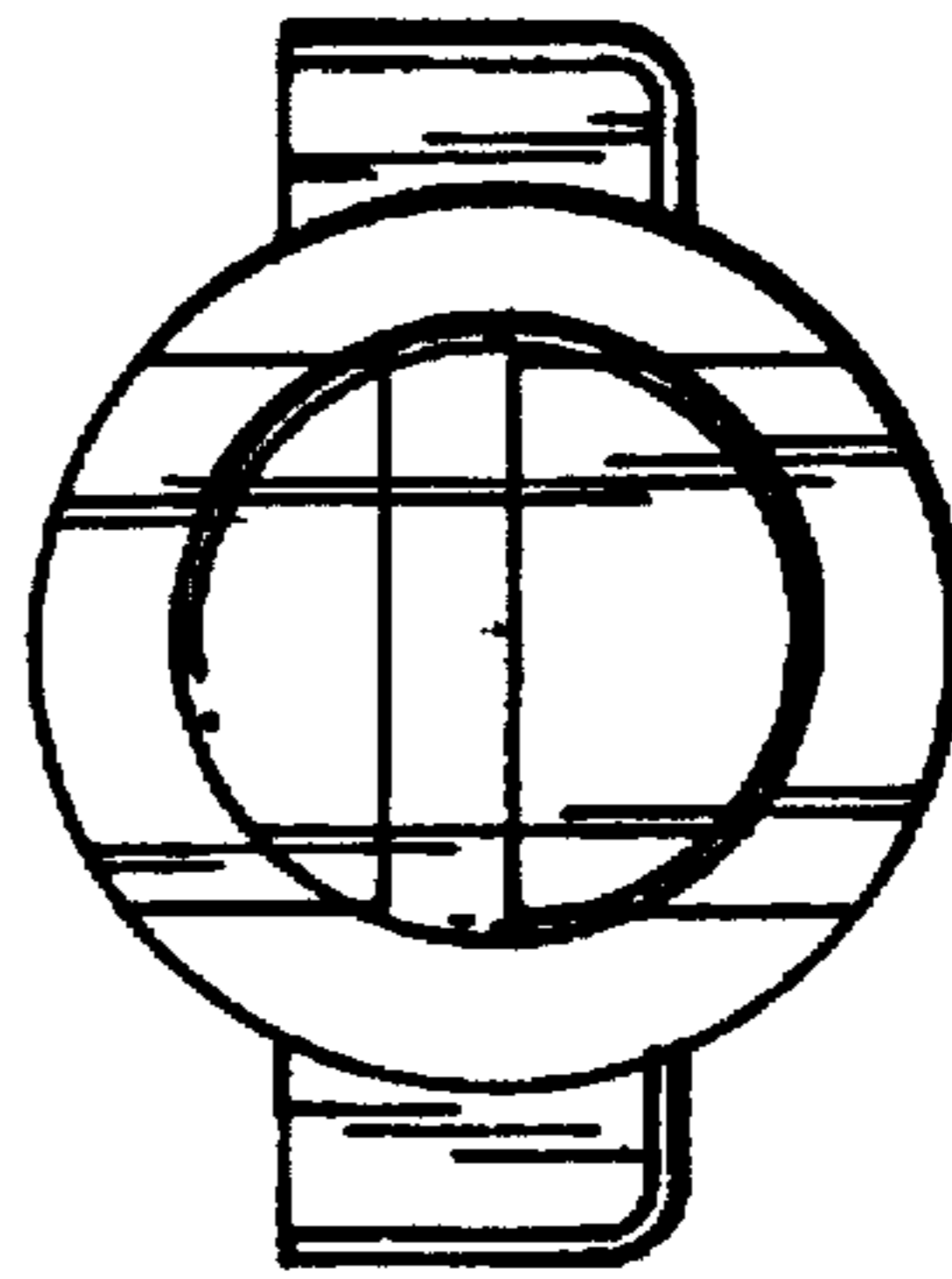


Fig. 6

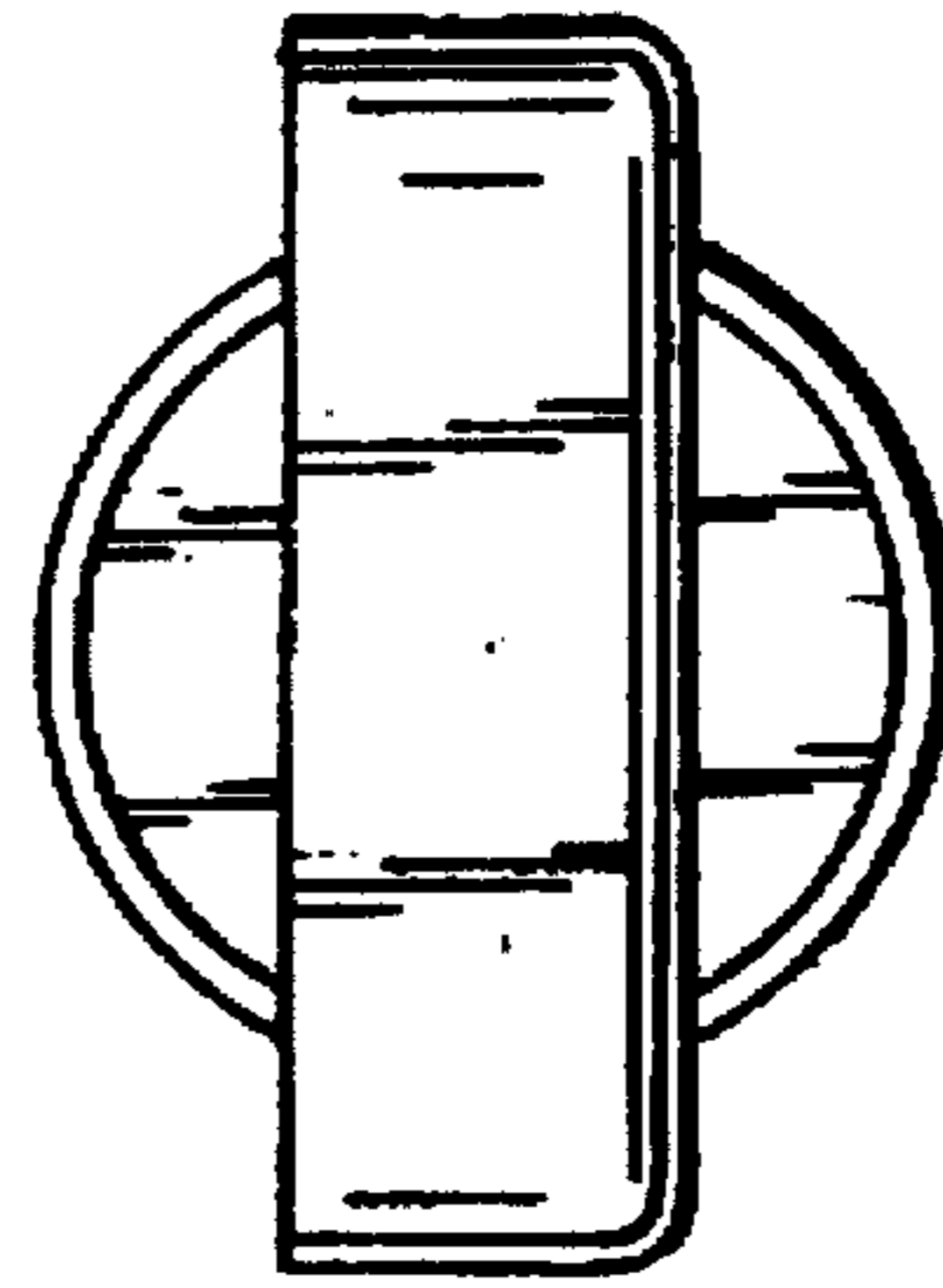


Fig. 7

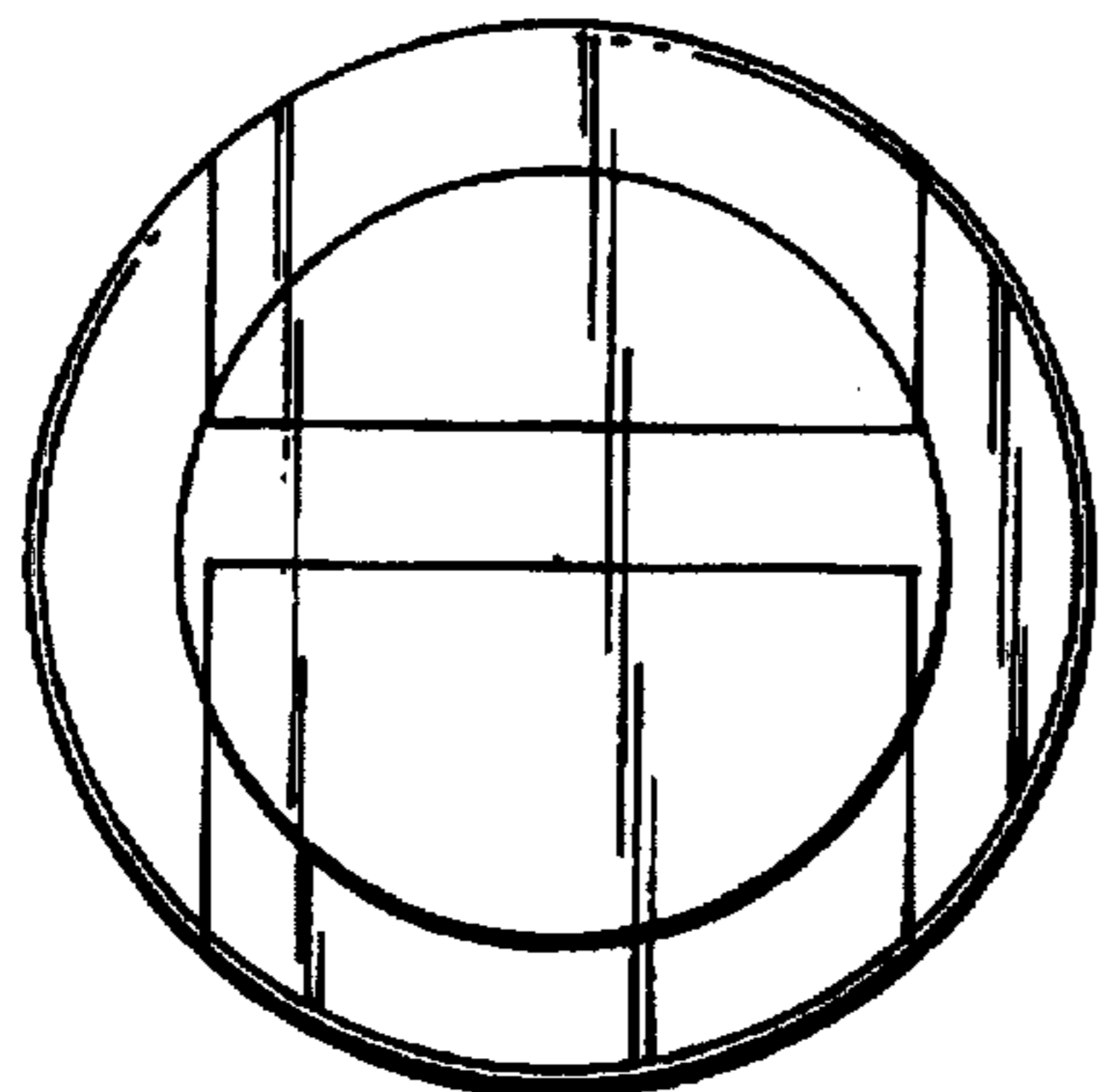


Fig. 8

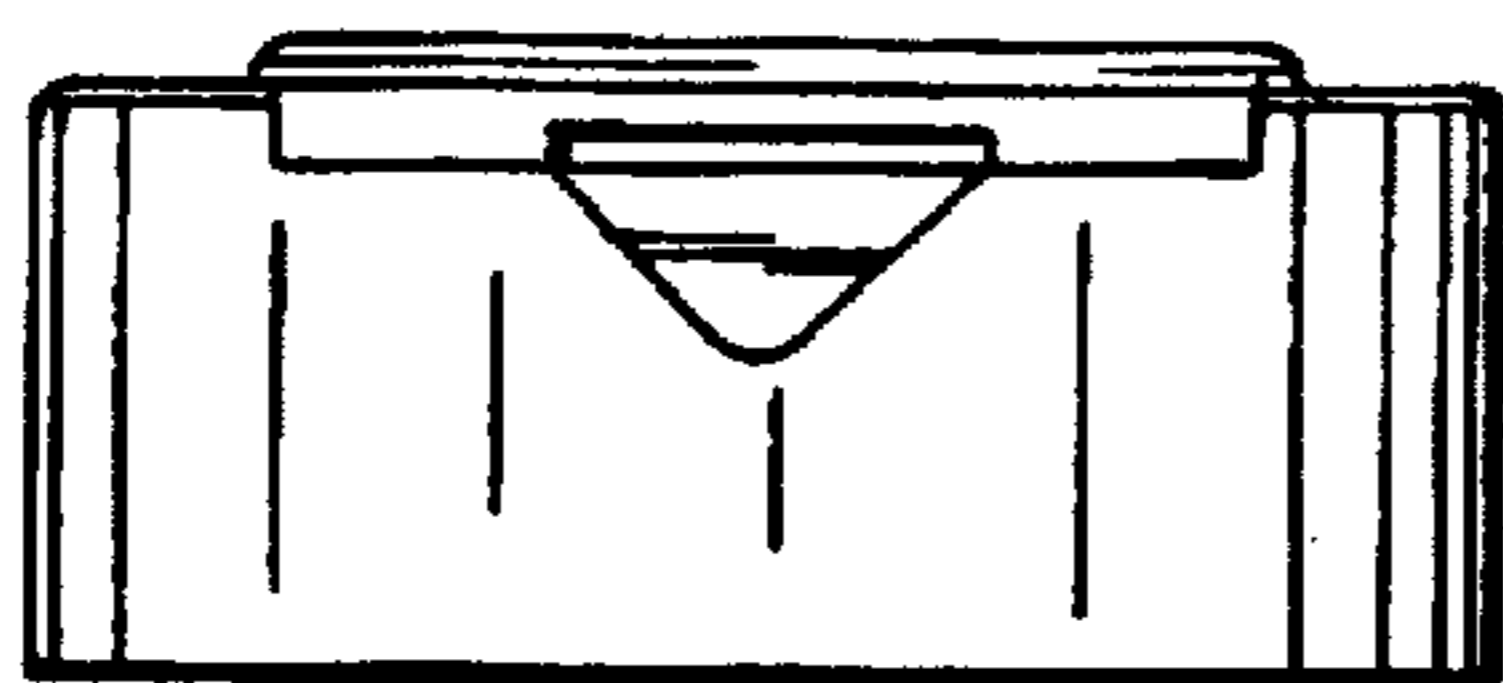


Fig. 9

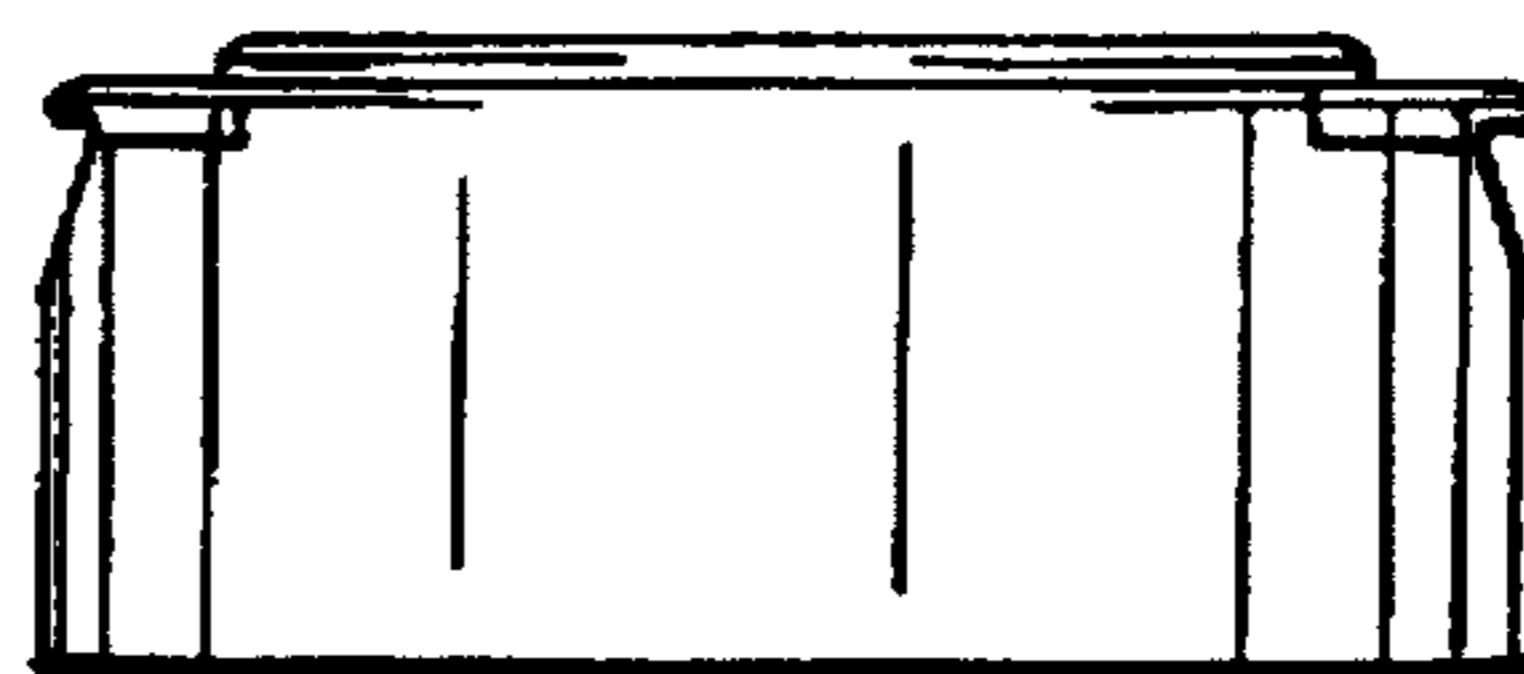


Fig. 10

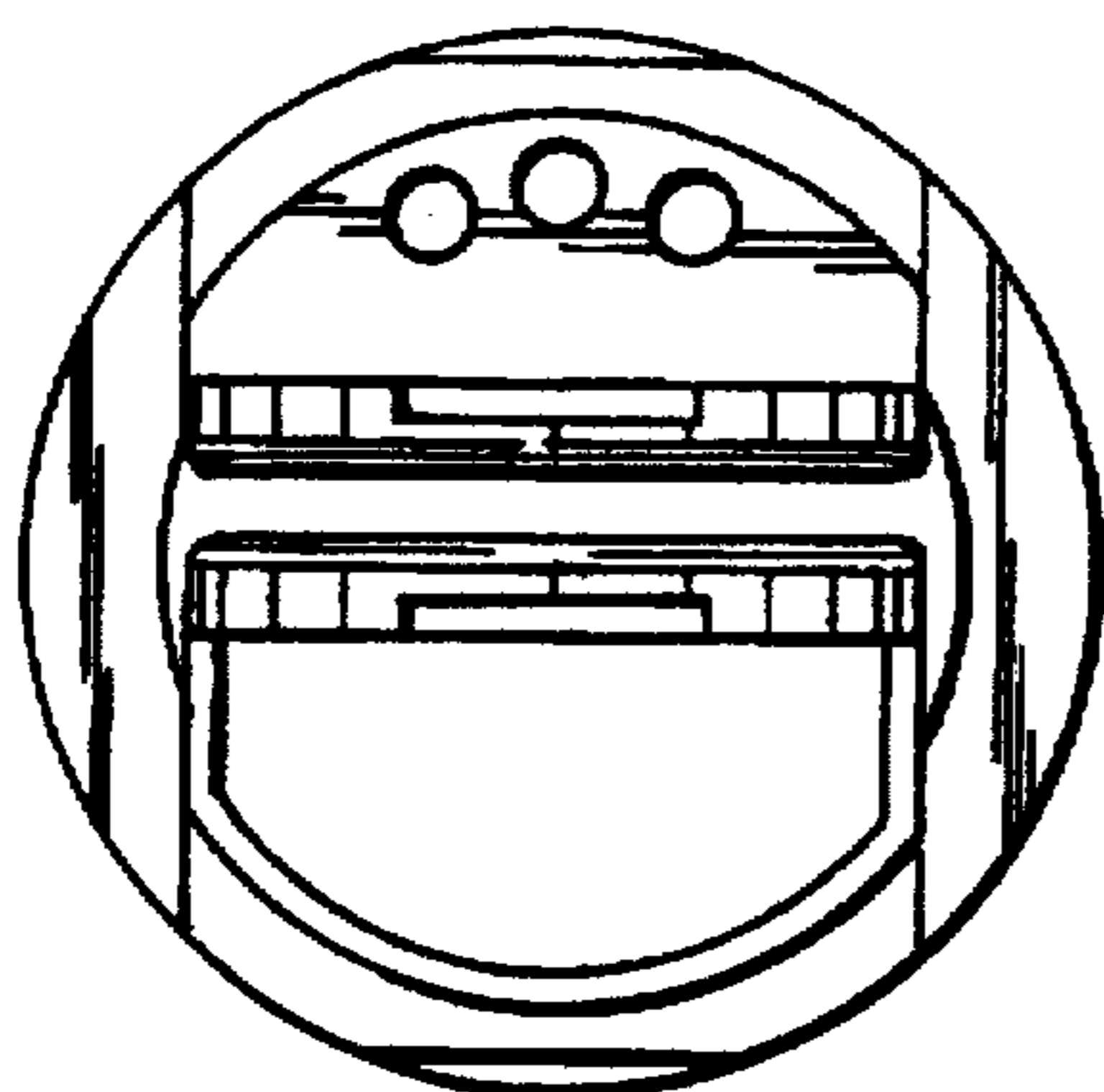


Fig. 11

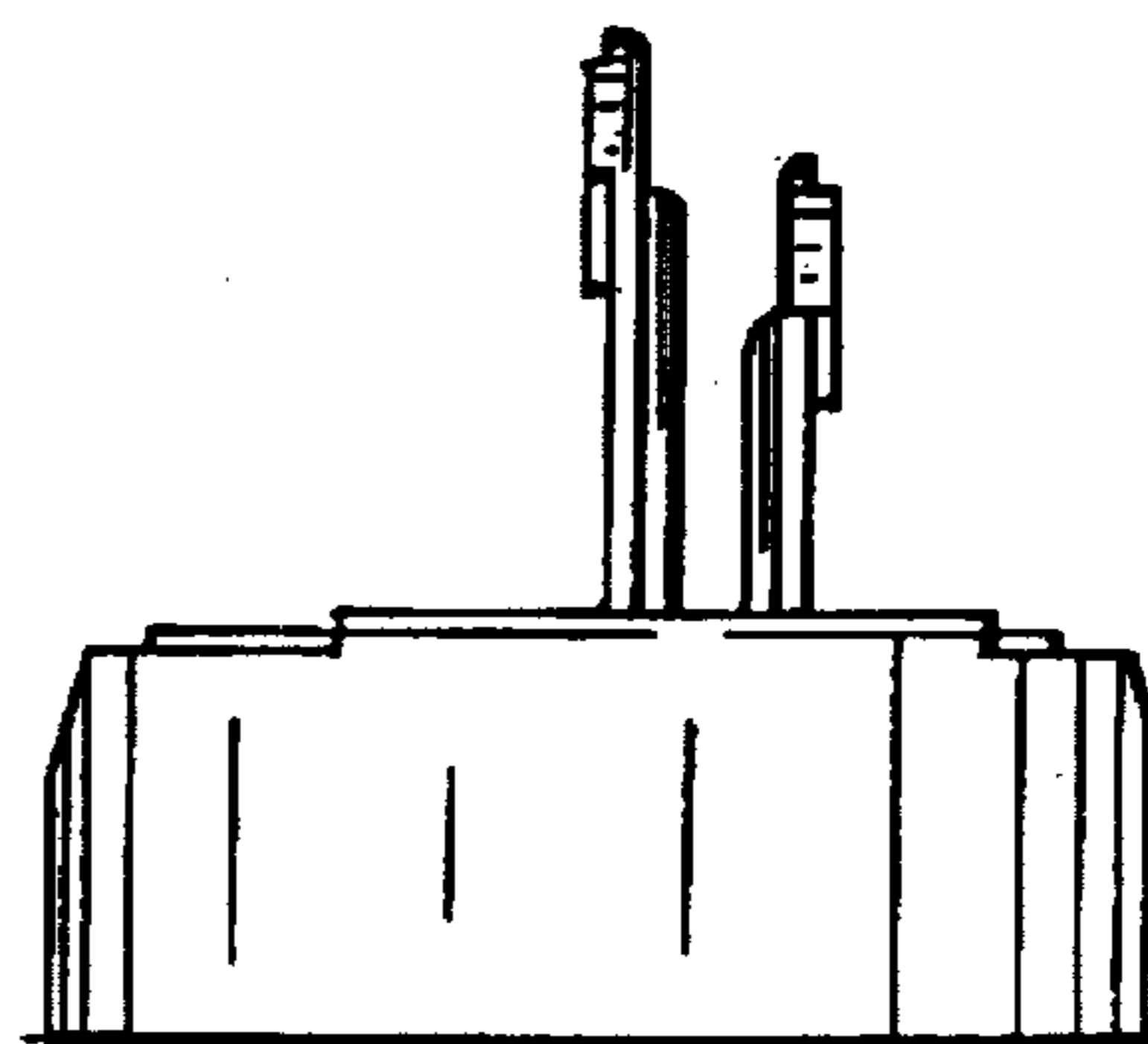


Fig. 12

