



US00D389962S

# United States Patent [19]

Berfield et al.

[11] Patent Number: **Des. 389,962**

[45] Date of Patent: **\*\*Jan. 27, 1998**

[54] **COMBINED WET AND DRY VACUUM CLEANER**

[75] Inventors: **Robert C. Berfield**, Jersey Shore, Pa.;  
**John Griffin**, Phoenix, Ariz.

[73] Assignee: **Shop Vac Corporation**, Williamsport, Pa.

[\*\*] Term: **14 Years**

[21] Appl. No.: **58,416**

[22] Filed: **Aug. 14, 1996**

[51] **LOC (6) Cl.** ..... **15-05**

[52] **U.S. Cl.** ..... **D32/23**

[58] **Field of Search** ..... **D32/21, 23, 24;**  
**15/327.1, 327.2, 327.4, 320-321, 323, 353,**  
**352, 347, 328**

[56] **References Cited**

**U.S. PATENT DOCUMENTS**

D. 287,171	12/1986	Berfield et al.	32/25
D. 324,930	3/1992	Pino	D32/23
D. 338,294	8/1993	Reath	D32/21
D. 357,336	4/1995	Moine et al.	D32/23
D. 357,773	4/1995	Warsham et al.	D32/23
D. 358,010	5/1995	Berfield et al.	32/23
D. 372,567	8/1996	Moine et al.	D32/23

**OTHER PUBLICATIONS**

SHOP-VAC® brochure, QSP Series—Quiet Super Power Wet/Dry Vacs, Model Nos. 900-80 thru 900-84, dated Aug. 1993.

SHOP-VAC® brochure, 707 Series Super Performance Wet/Dry Vacs, Model No. 707-10, dated Mar. 1991.

SHOP-VAC® brochure, QSP Series—Quiet Super Power Wet/Dry Vacs, Model Nos. 900-86 and 900-87, Aug. 1993.

SHOP-VAC® brochure, QSP Series—Quiet Super Power Wet/Dry Vacs, Model No. 900-29, dated Aug. 1993.

SHOP-VAC® brochure, 914 Series—Quiet Super Performance Wet/Dry Vacs, Model Nos. 914-15 and 914-27, dated Apr. 1991.

SHOP-VAC® brochure, FLOORMASTER®, Wet & Dry Cleaning System, Model No. 909-50, dated Jan. 1989.

*Primary Examiner*—Ruth McInroy

*Attorney, Agent, or Firm*—Marshall, O'Toole, Gerstein, Murray & Borun

[57] **CLAIM**

The ornamental design for a combined wet and dry vacuum cleaner, as shown and described.

**DESCRIPTION**

FIG. 1 is a front elevational view of a combined wet and dry vacuum cleaner showing our new design;

FIG. 2 is a rear elevational view thereof;

FIG. 3 is a right side elevational view thereof;

FIG. 4 is a left side elevational view thereof;

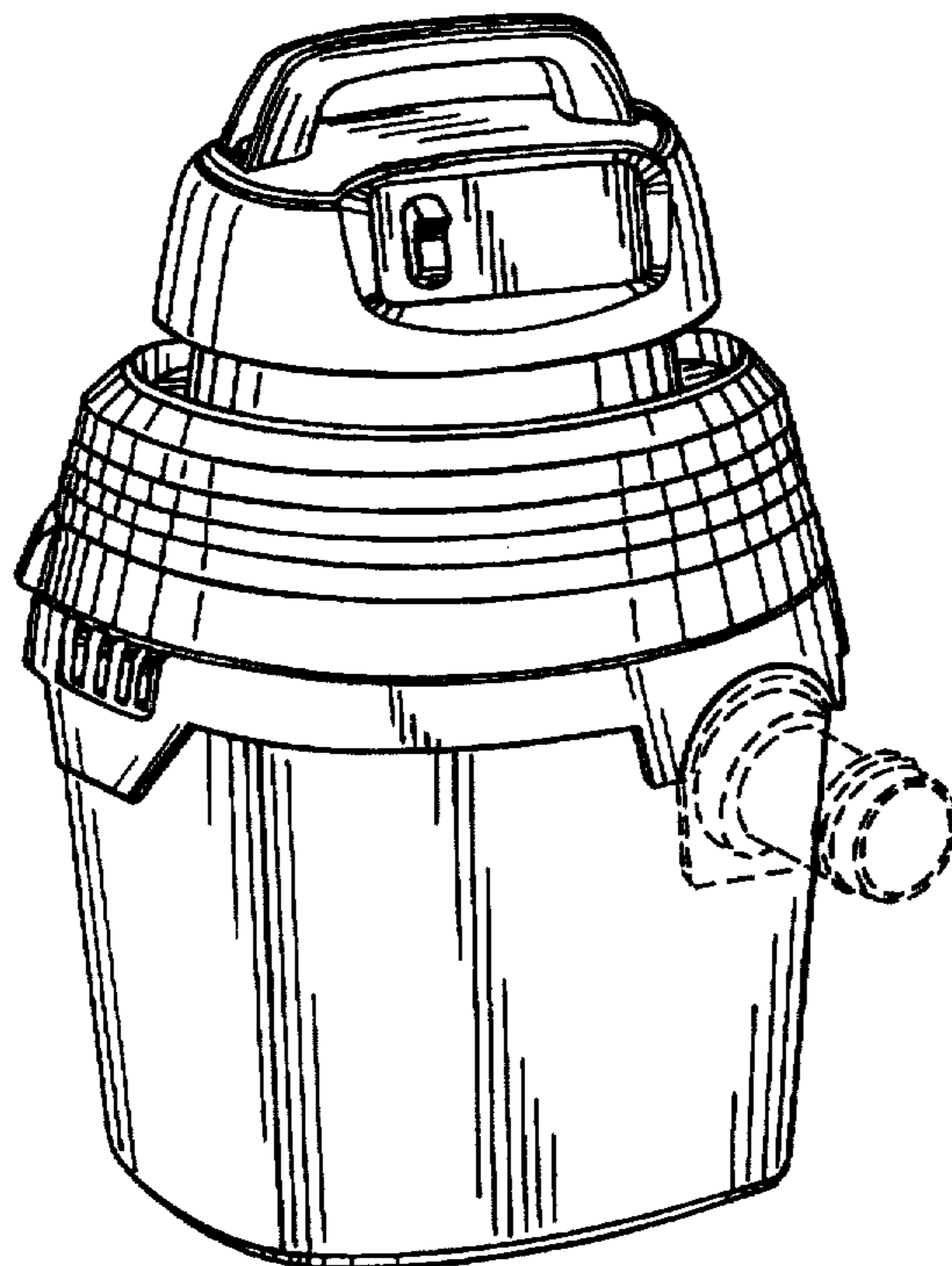
FIG. 5 is a top plan view thereof;

FIG. 6 is a bottom view thereof; and,

FIG. 7 is a front perspective view taken from the left side thereof.

The details shown in broken lines in FIGS. 1 and 3-7 are shown for illustrative purposes only and form no part of the claimed design.

**1 Claim, 6 Drawing Sheets**



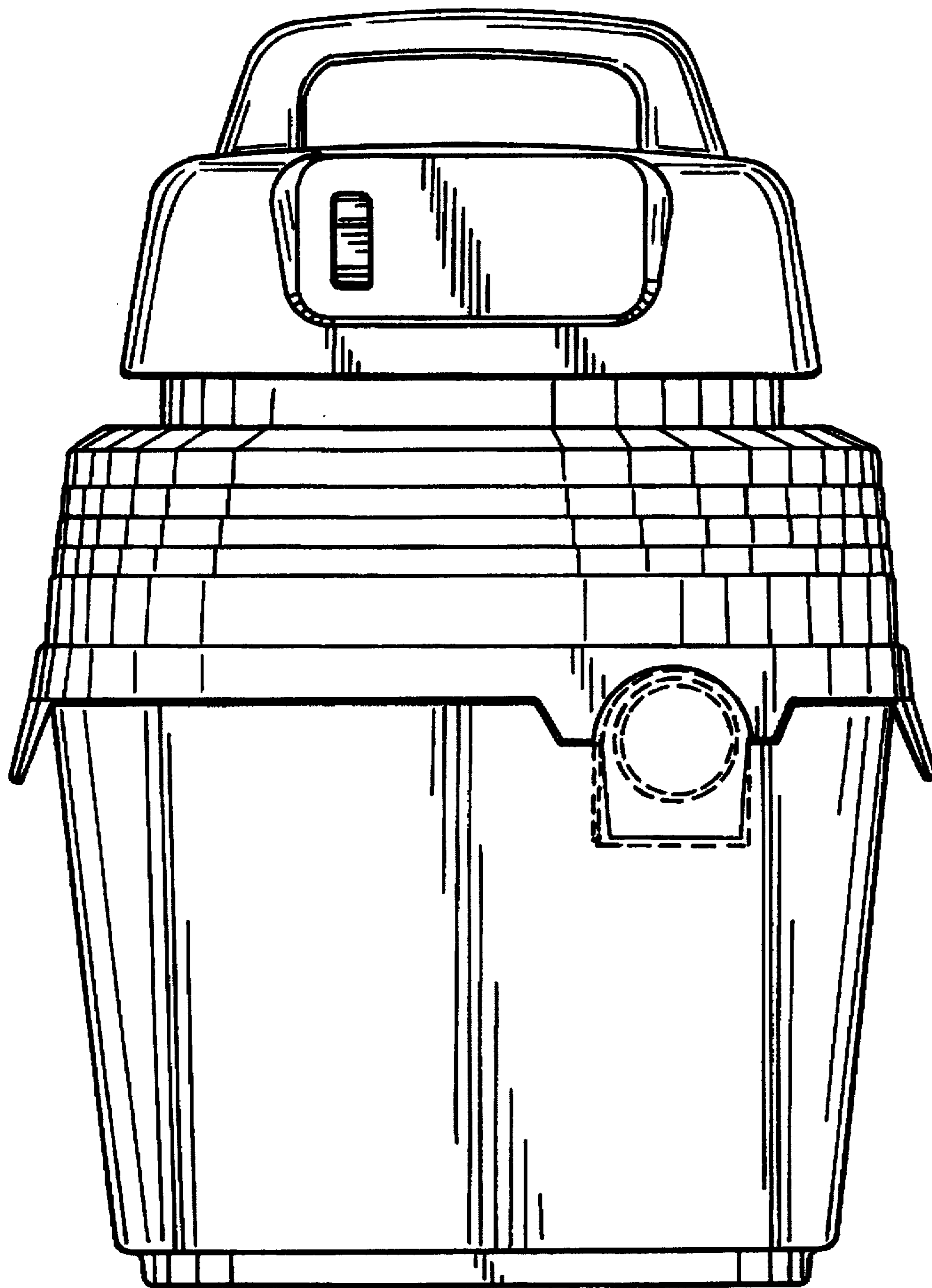


FIG. 1

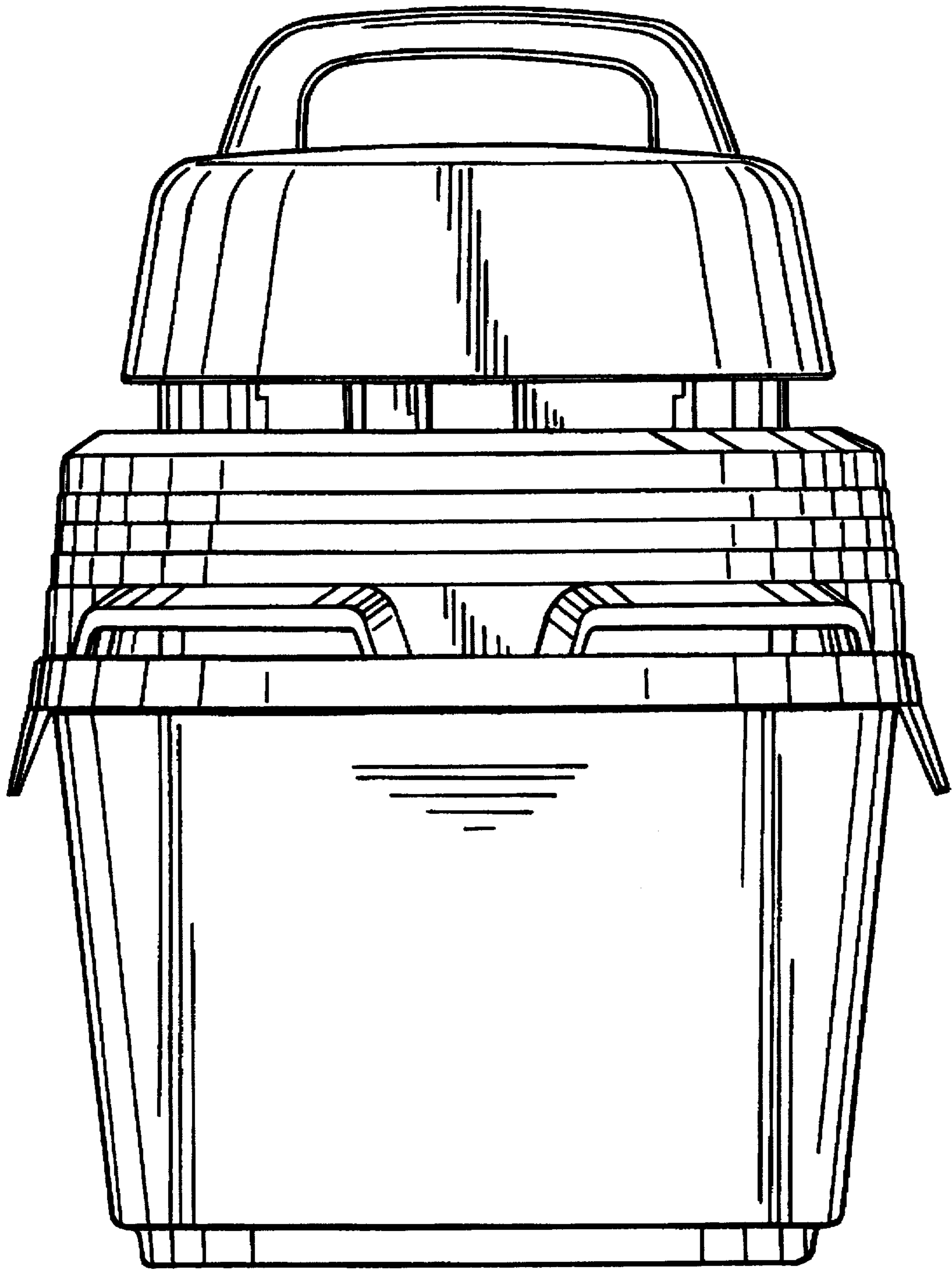


FIG. 2

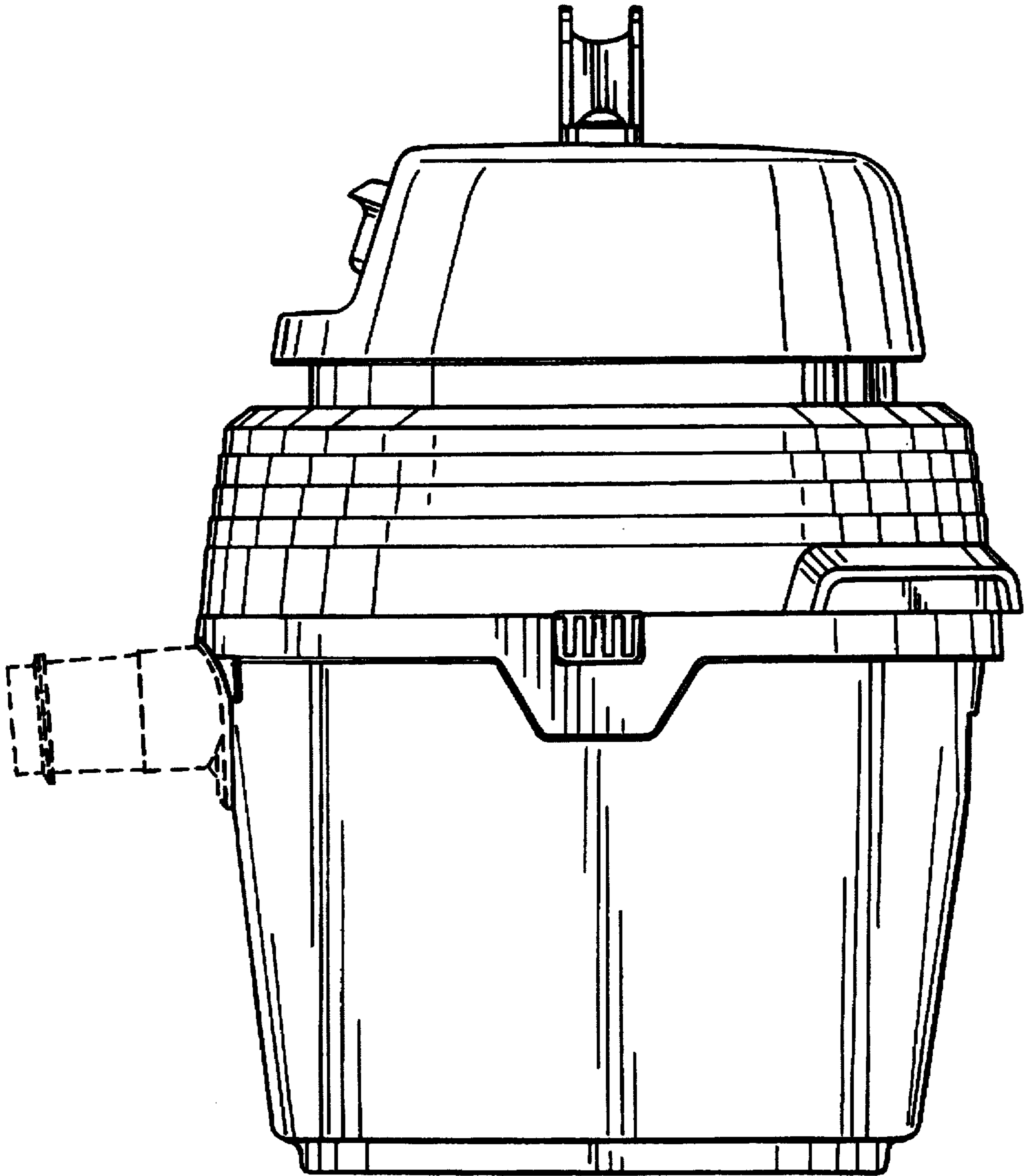


FIG. 3

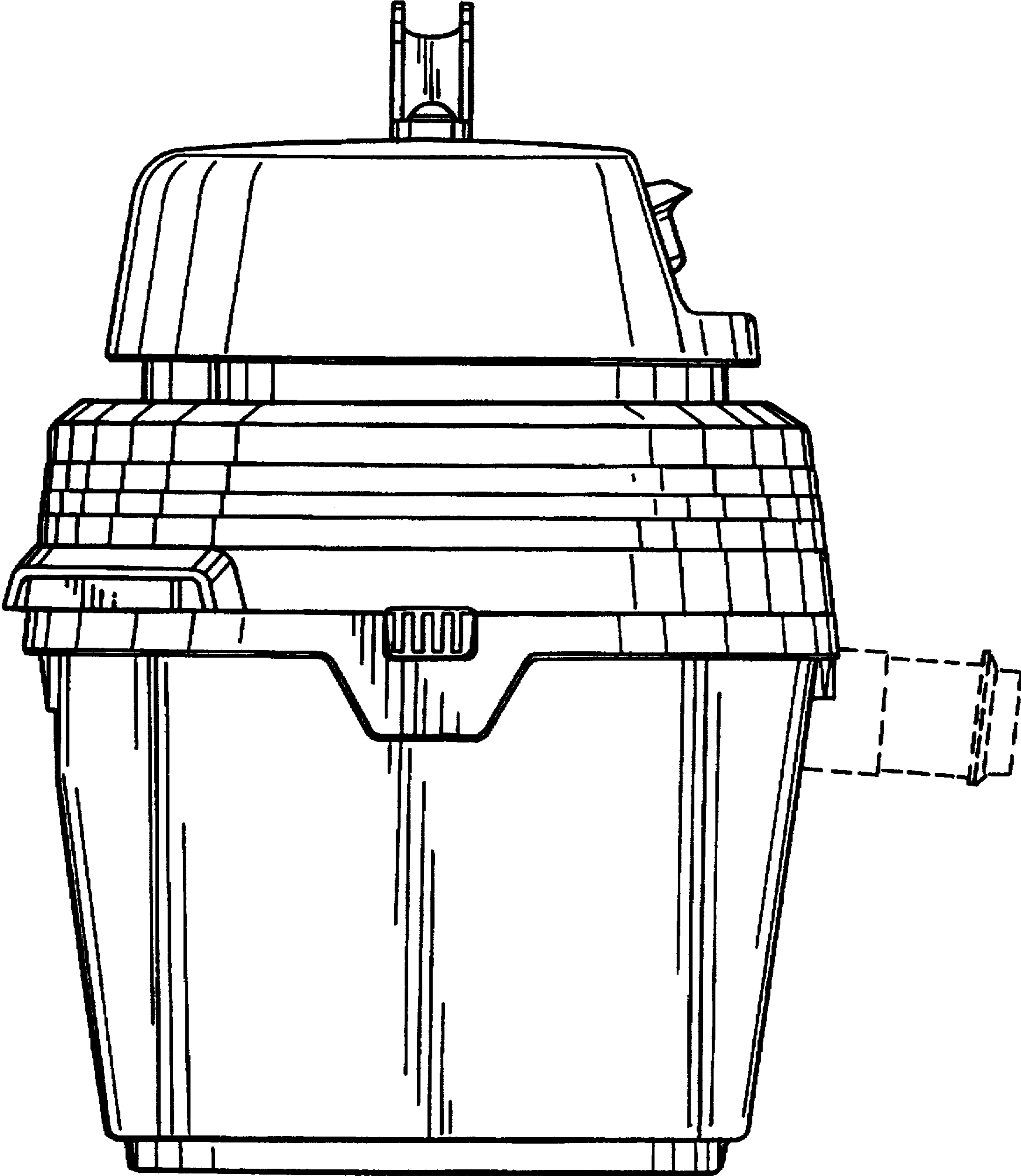


FIG. 4

FIG. 5

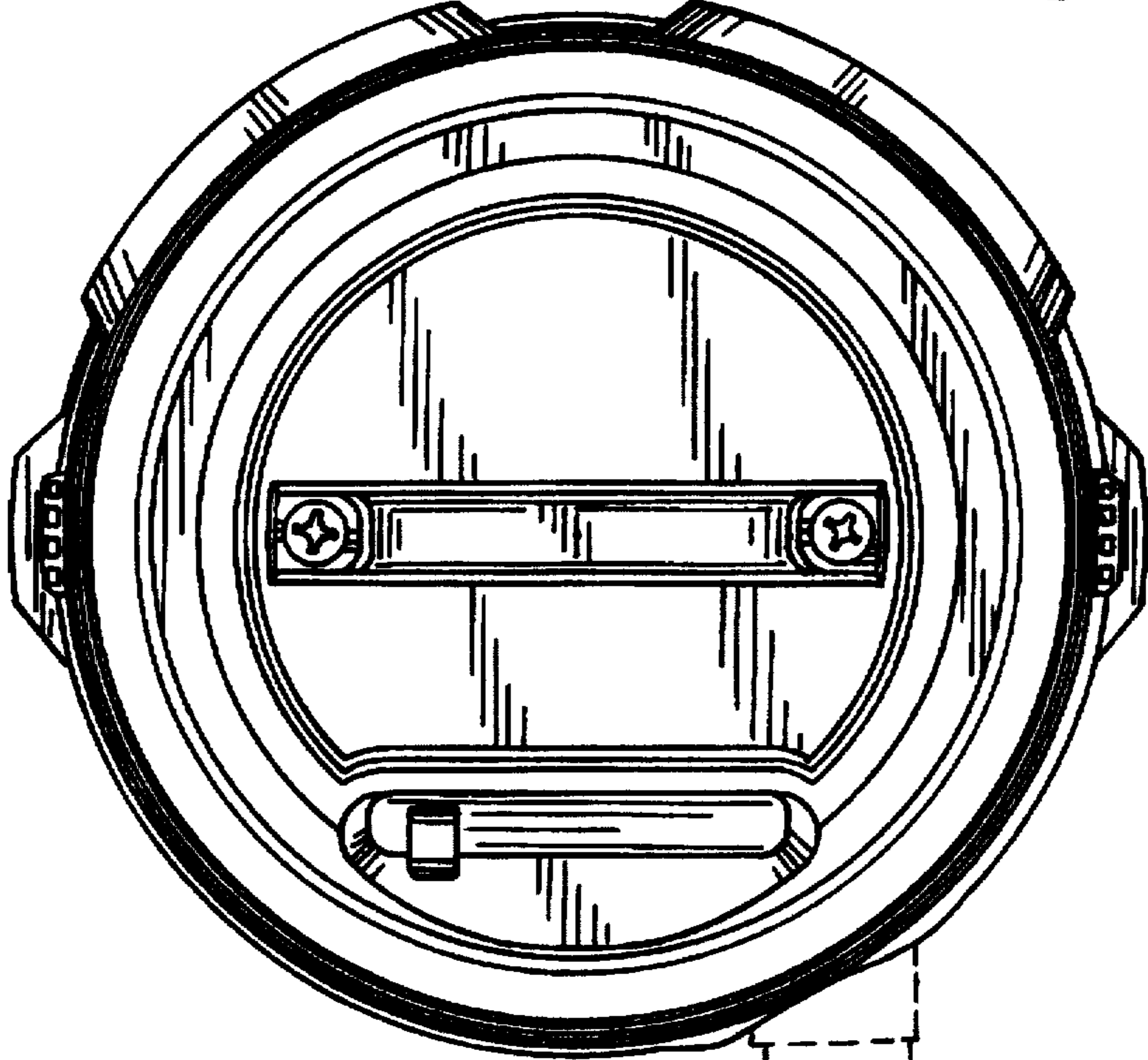
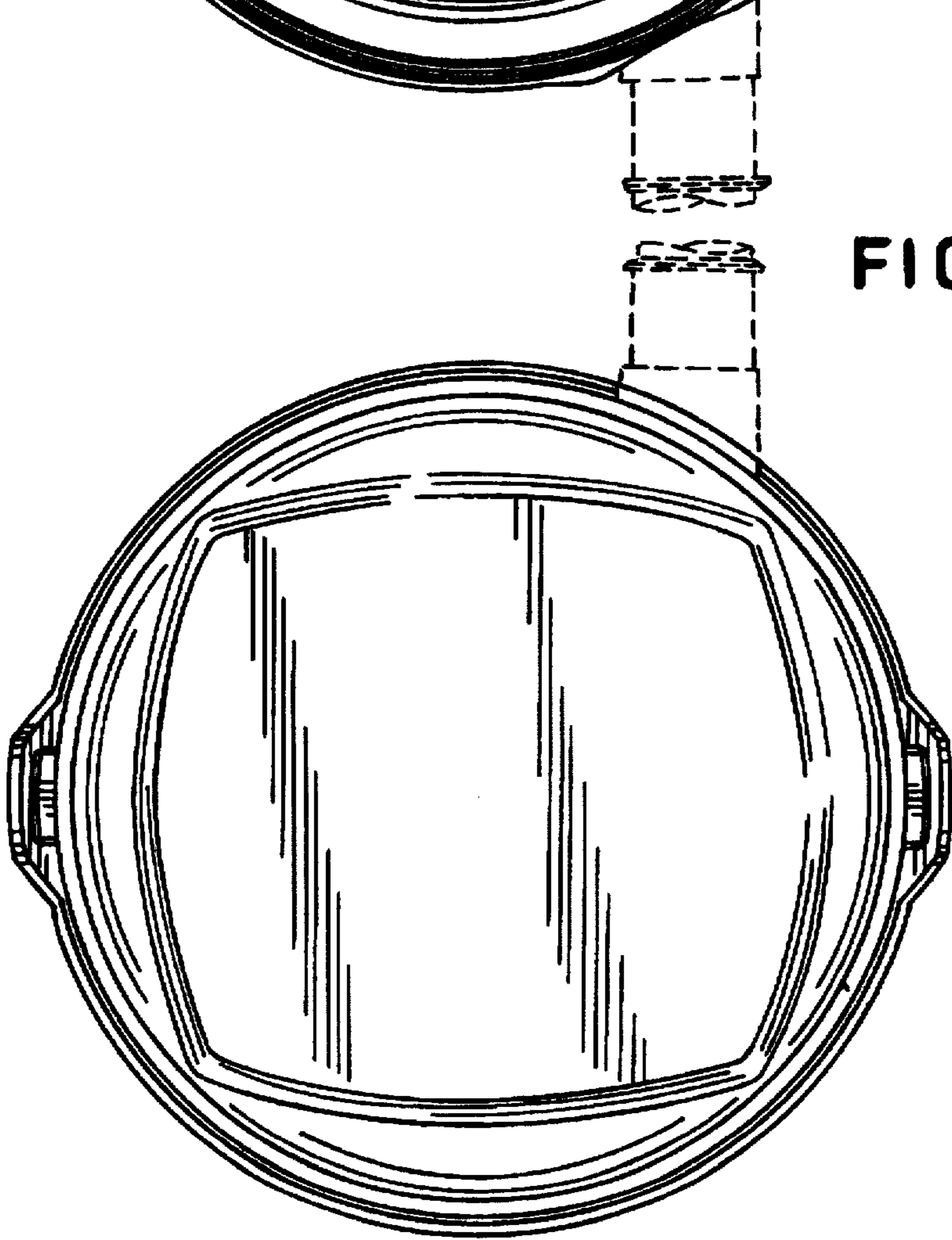


FIG. 6



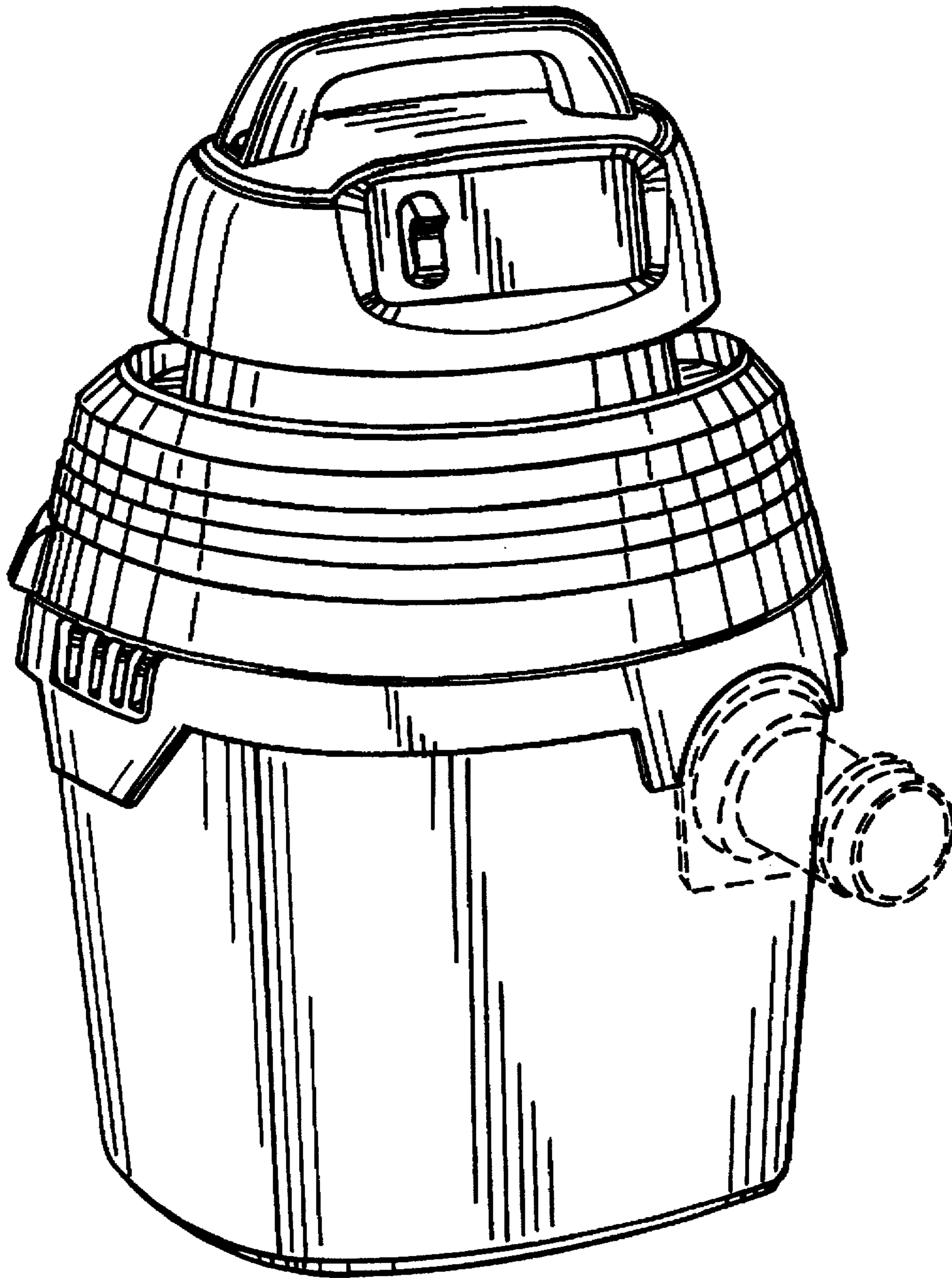


FIG. 7