



US00D389952S

United States Patent [19]
Bartolotta

[11] **Patent Number: Des. 389,952**
[45] **Date of Patent: **Jan. 27, 1998**

[54] **CIGAR HUMIDOR WITH BASE** 4,274,216 6/1981 Boyd 40/124 X
[76] **Inventor: Salvatore Bartolotta, 2607 Harway Ave., Brooklyn, N.Y. 11214**
[**] **Term: 14 Years**
[21] **Appl. No.: 64,929**
[22] **Filed: Jan. 15, 1997**
[51] **LOC (6) Cl. 27-06**
[52] **U.S. Cl. D27/188; D27/192**
[58] **Field of Search D9/325; D27/172, D27/178, 183, 186, 188, 189, 190, 191, 192; 131/329, 257; 206/242, 261, 262, 263**

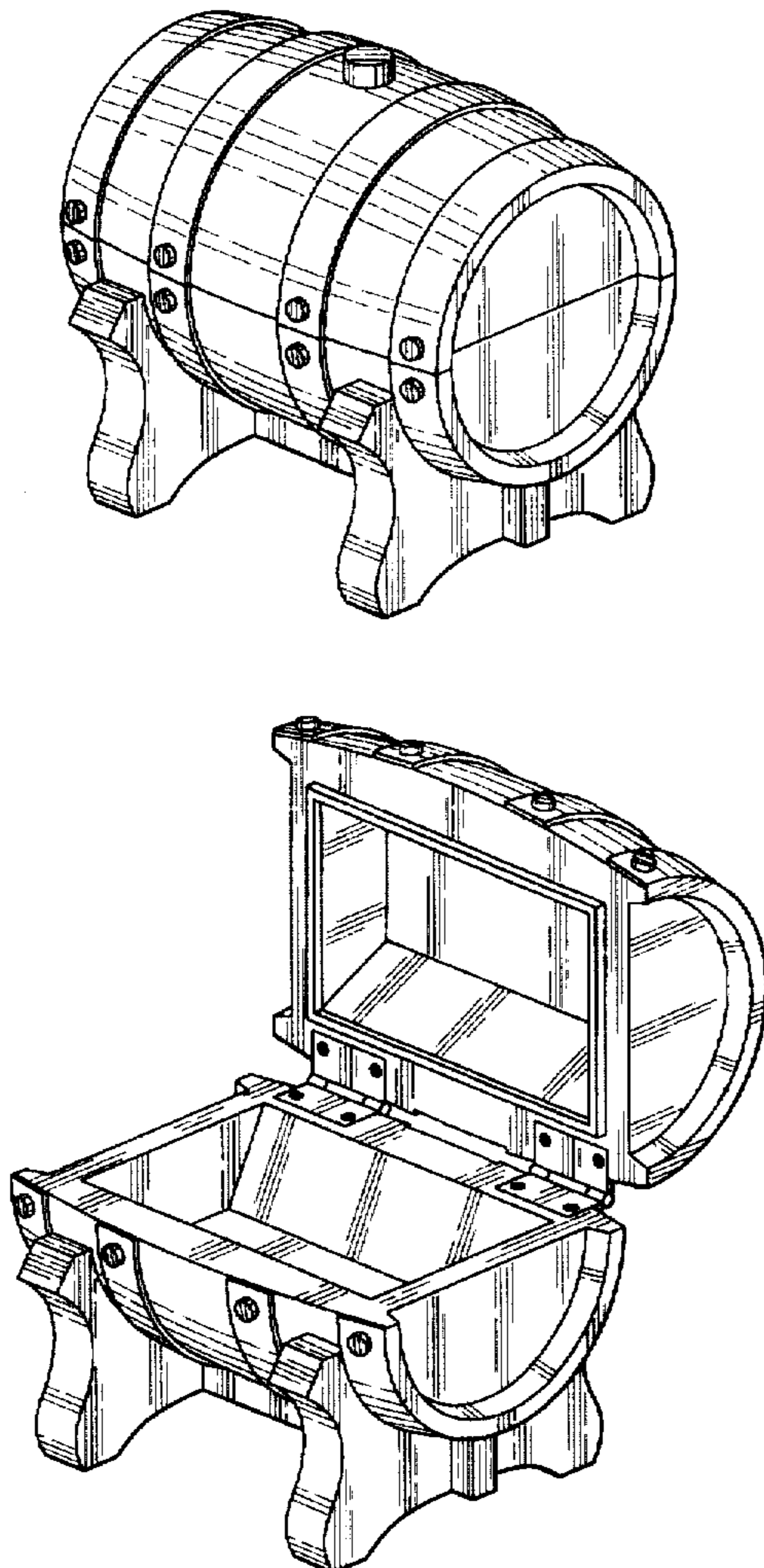
OTHER PUBLICATIONS
Barrel cigar cutter, p. 15, *Antique Cigar and Lighters*, Group 2900 Aug. 1, 1996.
Primary Examiner—Susan J. Lucas
Assistant Examiner—Jennifer Register
Attorney, Agent, or Firm—Goldstein & Associates

[57] **CLAIM**
The ornamental design for a cigar humididor with base, as shown and described.

DESCRIPTION
FIG. 1 is a perspective view of the cigar humididor with base; FIG. 2 is a perspective view of the cigar humididor with base showing the top half in the open position; FIG. 3 is a rear elevational view thereof; FIG. 4 is a front elevational view thereof; FIG. 5 is a right side elevational view thereof, the left side view being a mirror image of the right side view; FIG. 6 is a bottom plan view thereof; and, FIG. 7 is a top plan view of the cigar humididor with base.

[56] **References Cited**
U.S. PATENT DOCUMENTS
D. 117,491 11/1939 Buszkiewicz D27/184
D. 122,336 9/1940 James D9/325
D. 123,637 11/1940 Karoff D9/325
D. 293,608 1/1988 Fitzgerald et al. D27/190
D. 310,627 9/1990 Manuel D9/325
972,863 10/1910 James D9/325 X

1 Claim, 3 Drawing Sheets



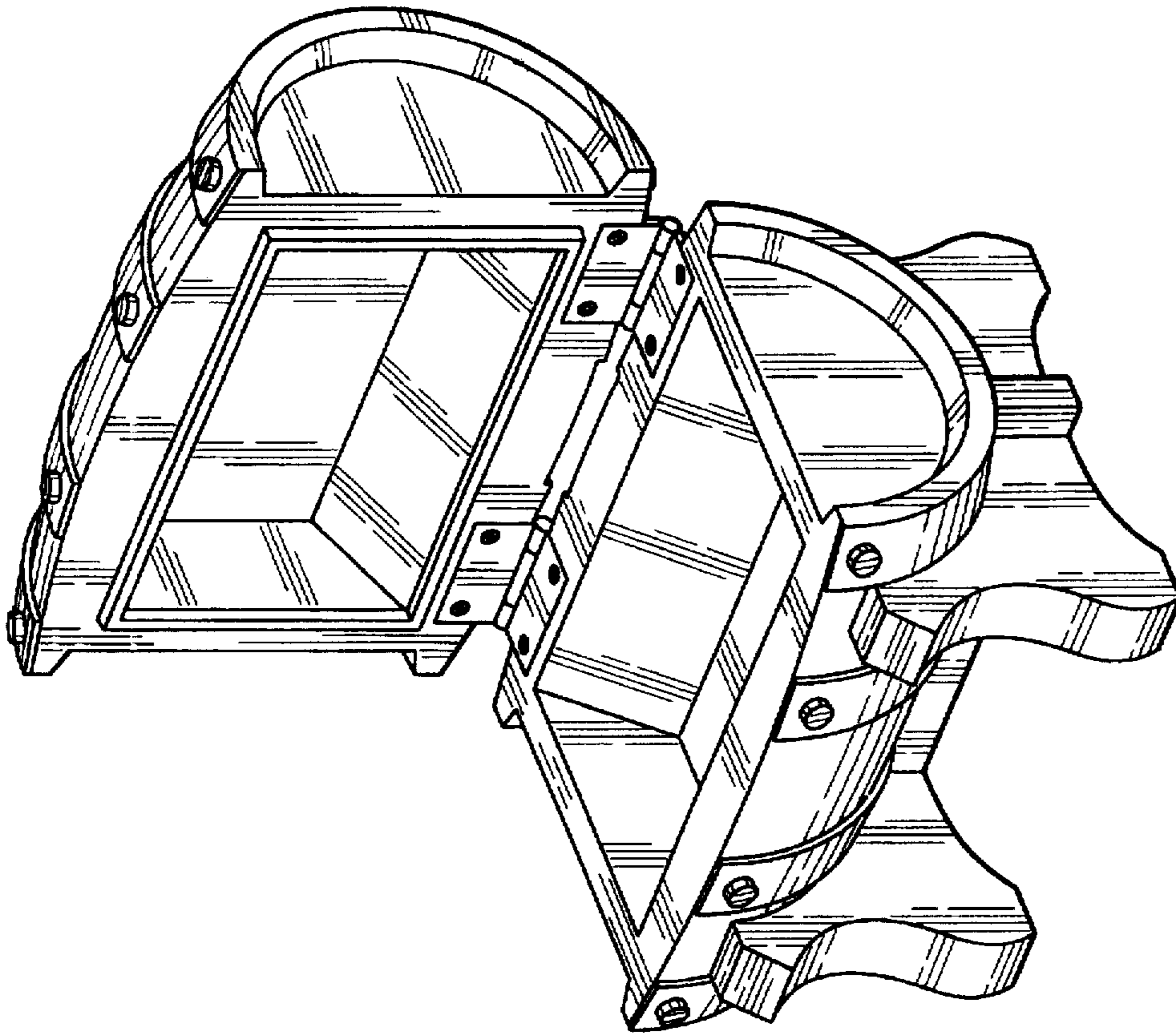


FIG. 2

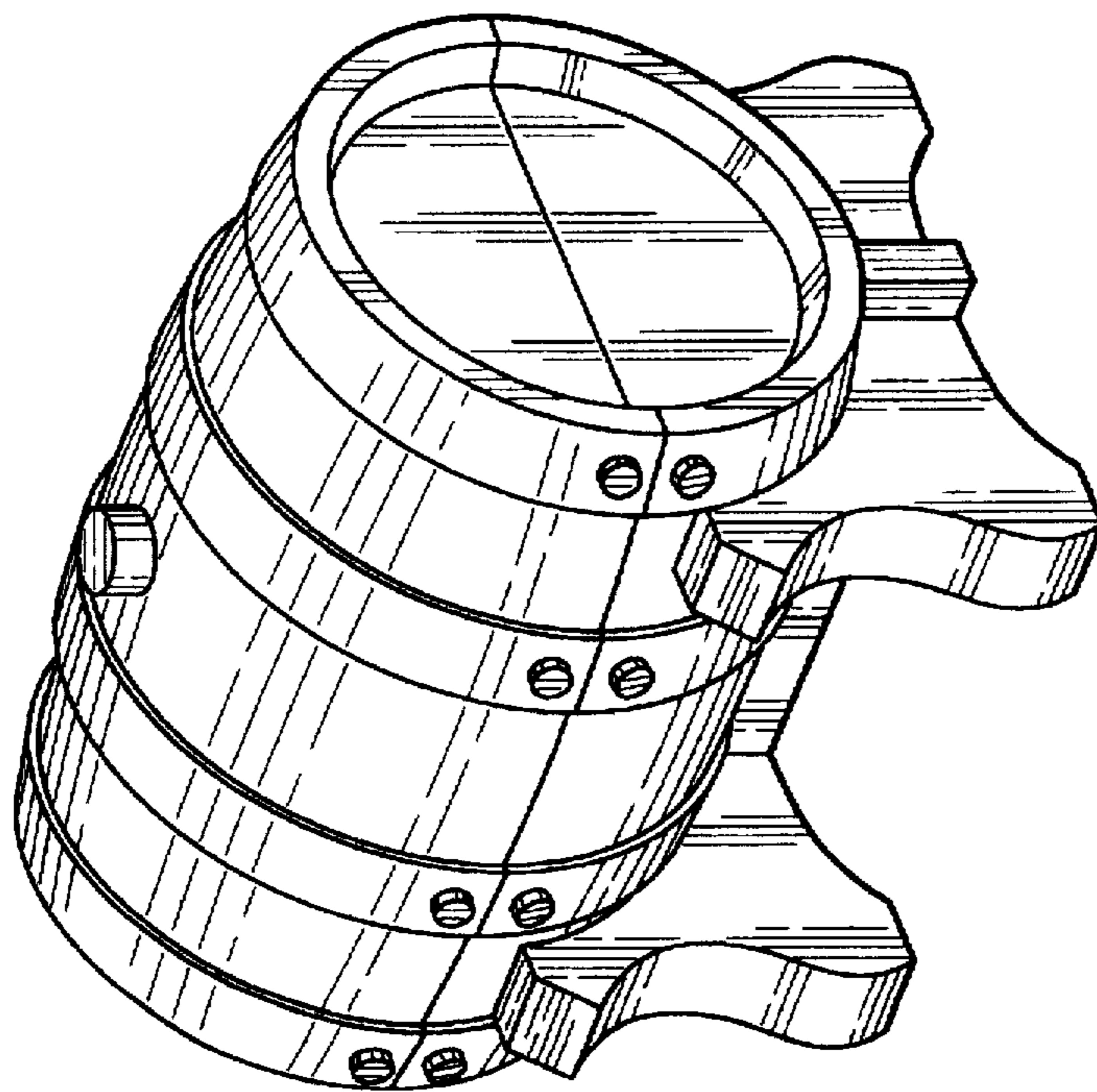


FIG. 1

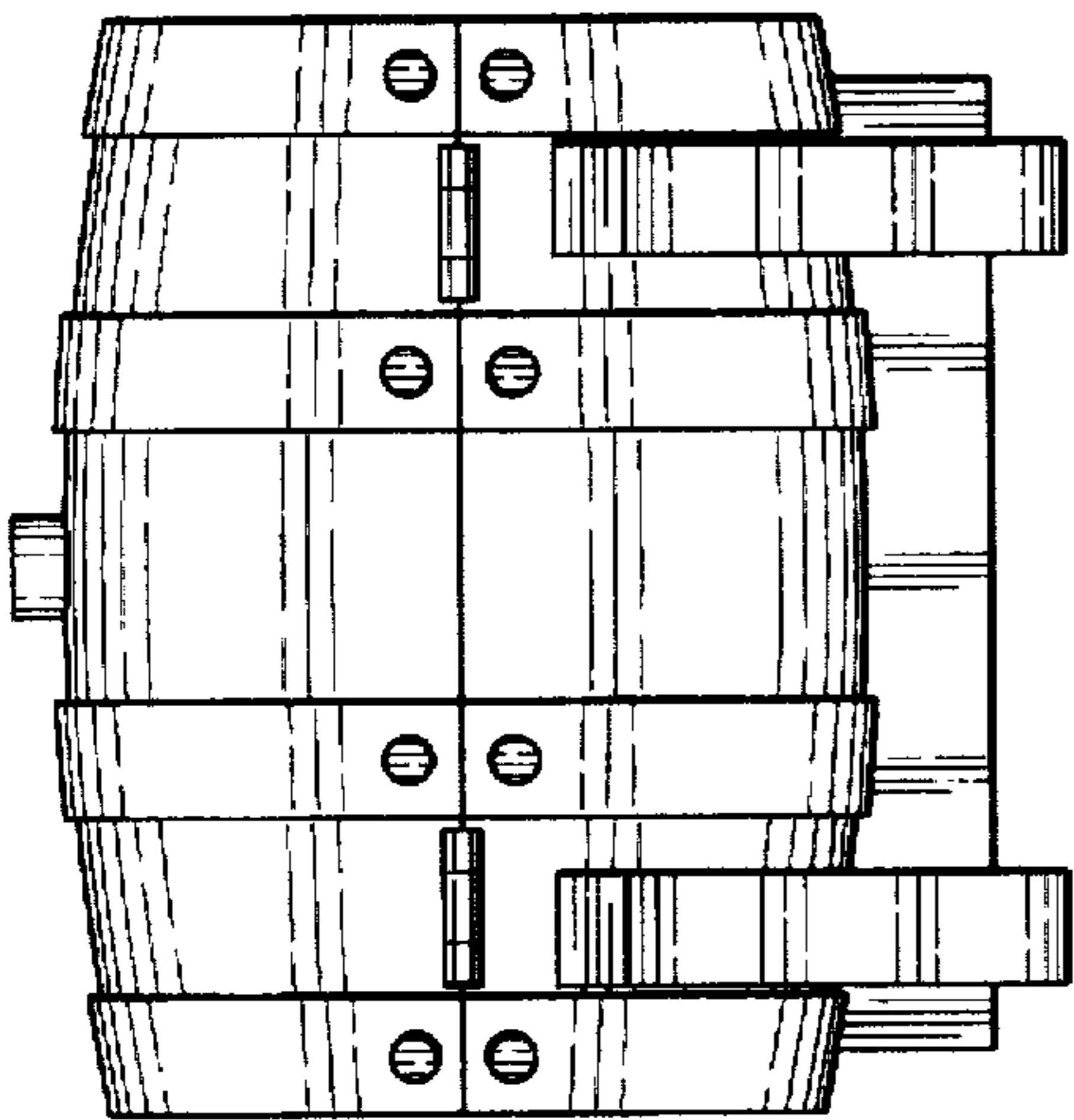


FIG. 3

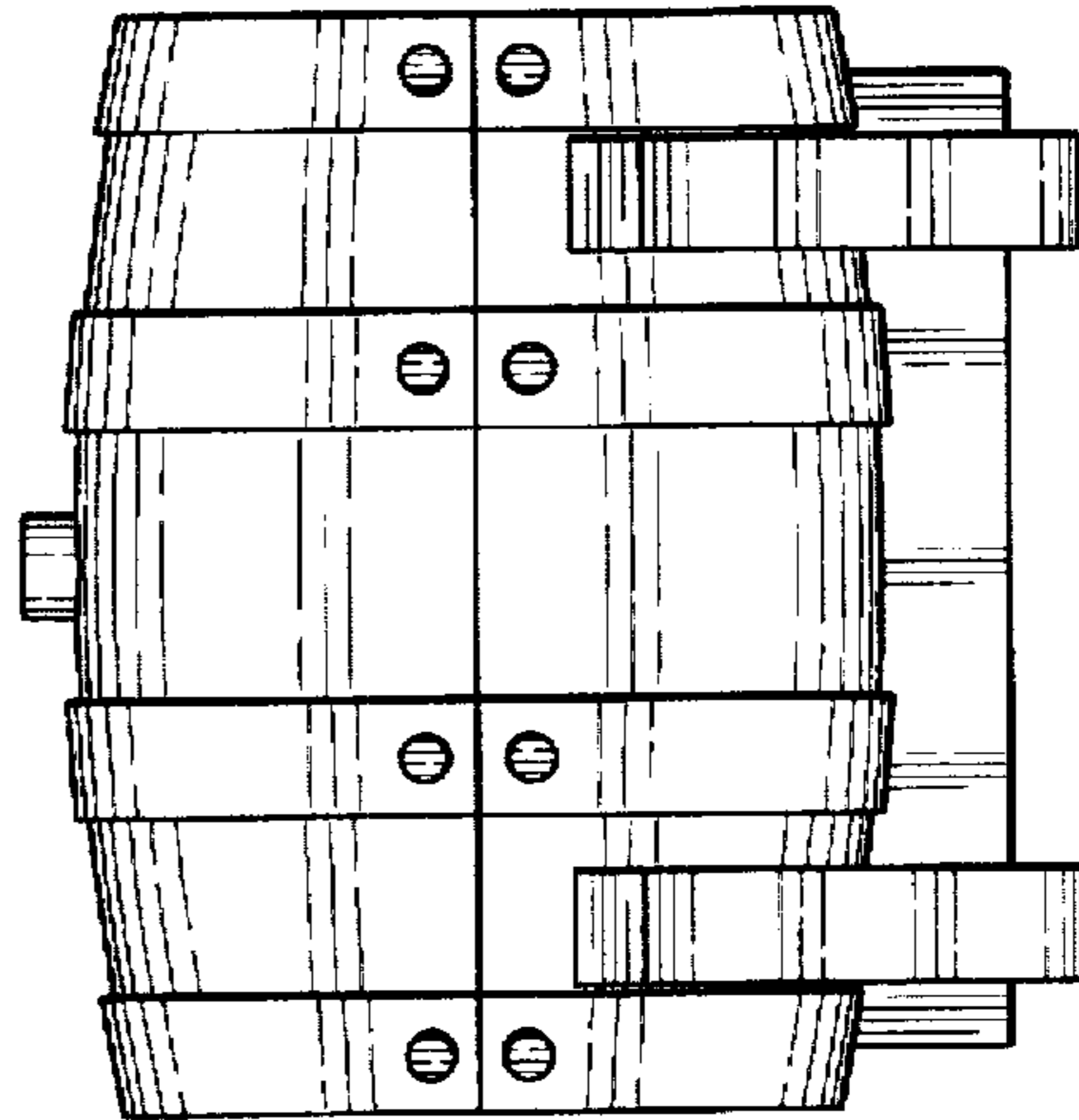


FIG. 4

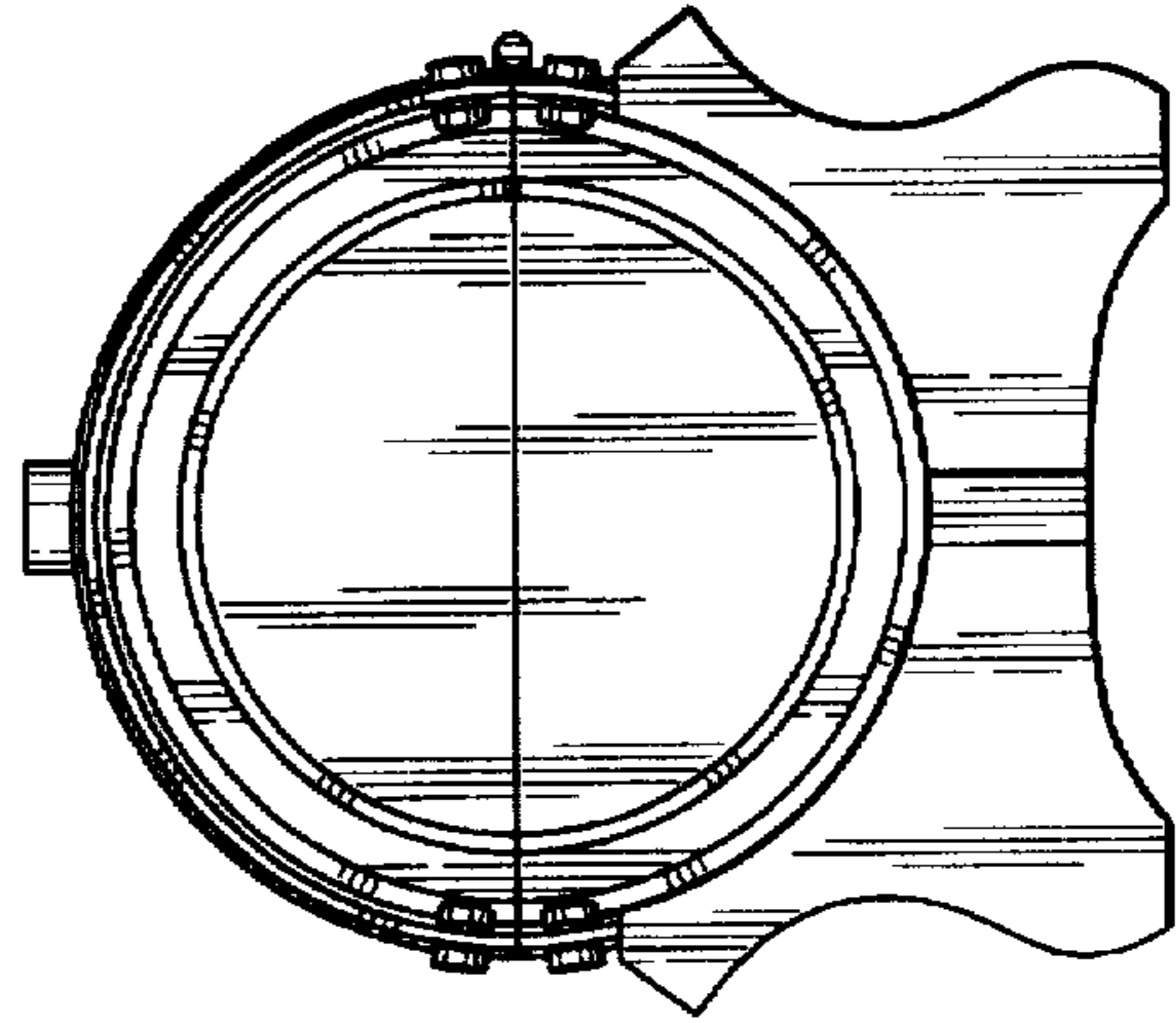


FIG. 5

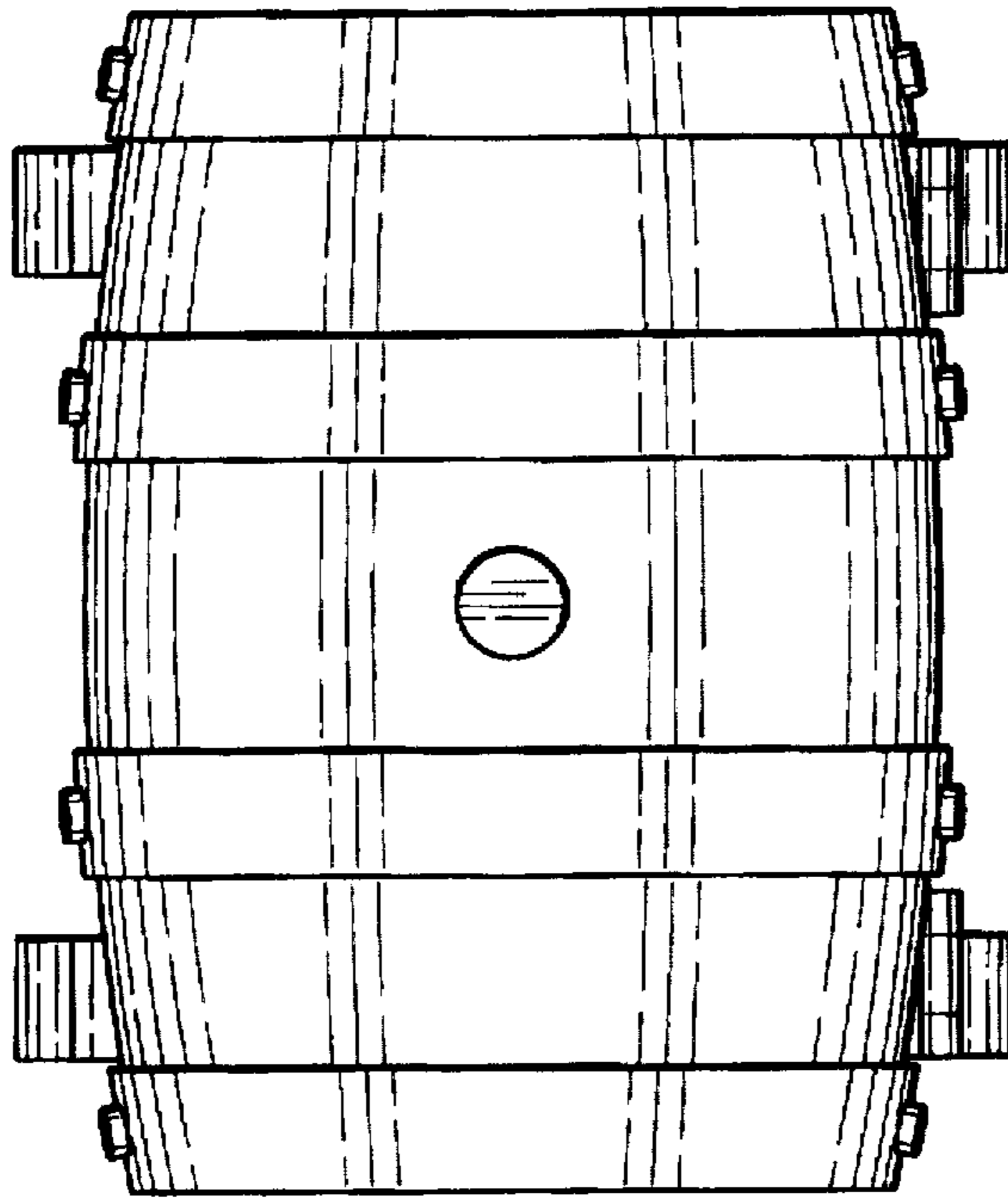


FIG. 7

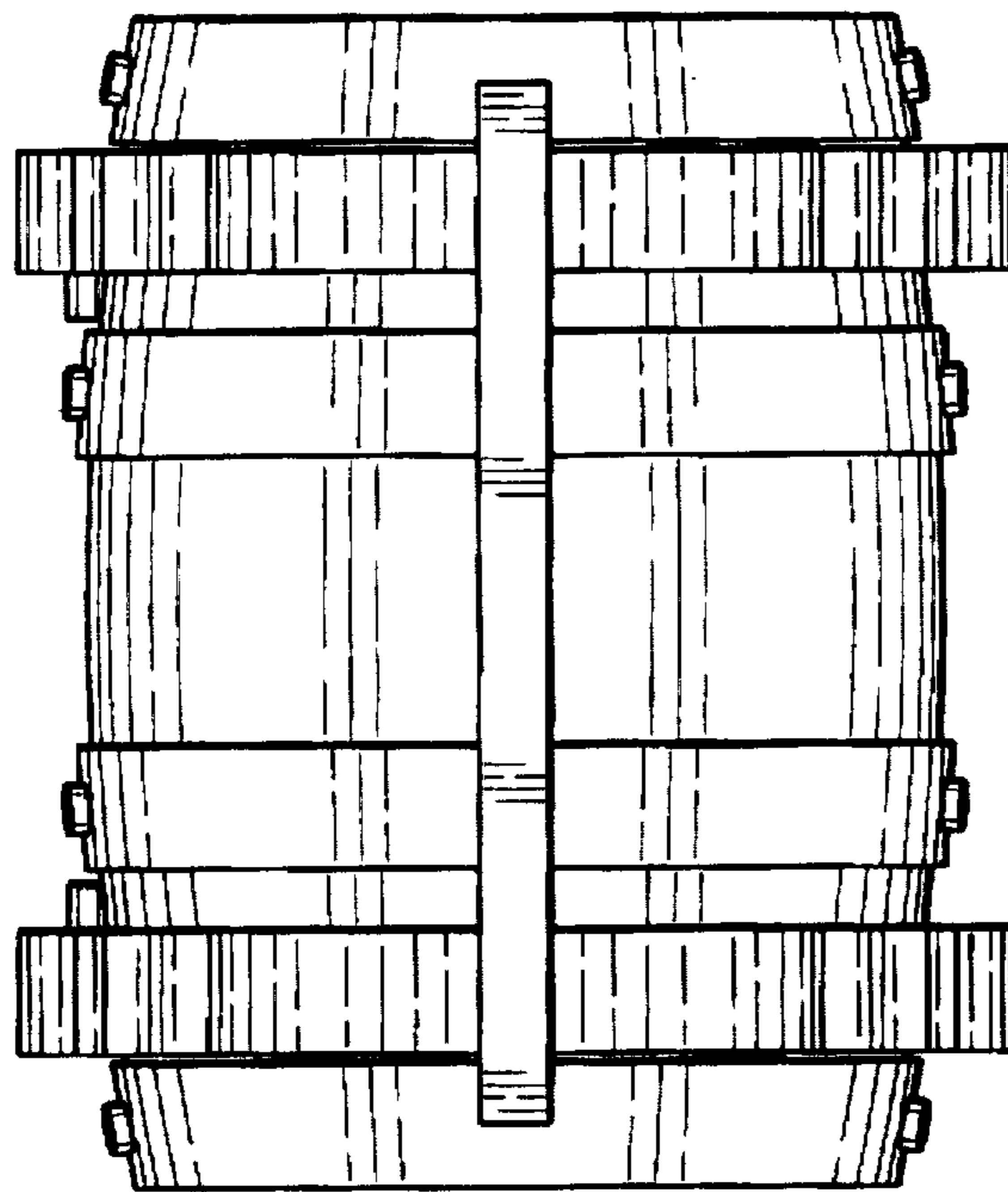


FIG. 6