



US00D389951S

**United States Patent** [19]  
**Yan**

[11] **Patent Number: Des. 389,951**  
[45] **Date of Patent: \*\*Jan. 27, 1998**

[54] **LAMP SHADE**

[76] **Inventor: San Jhy Yan, P.O. Box 196, Fung Yung., Taichung, Taiwan**

[\*\*] **Term: 14 Years**

[21] **Appl. No.: 64,394**

[22] **Filed: Dec. 30, 1996**

[51] **LOC (6) Cl. .... 26-05**

[52] **U.S. Cl. .... D26/134**

[58] **Field of Search ..... D26/118, 128-137;  
362/326, 334, 335, 337, 338, 340, 351,  
355**

[56] **References Cited**

**U.S. PATENT DOCUMENTS**

D. 378,944 4/1997 Yan ..... D26/137

**OTHER PUBLICATIONS**

Murray Feiss lighting fixture catalog, p. FX 85, shade, fixture P 1039 RT, Mar. 1995.

*Primary Examiner*—Susan J. Lucas

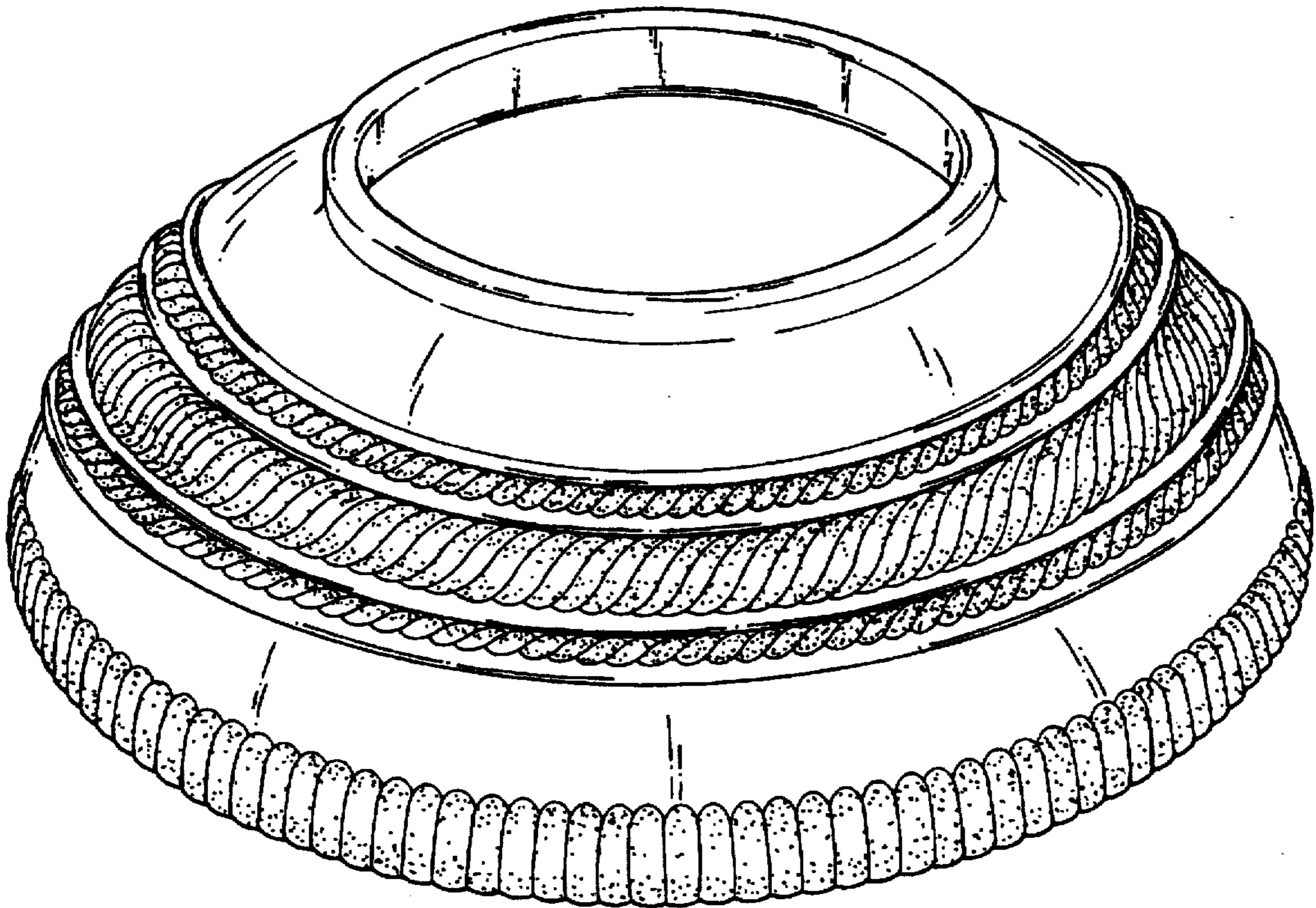
[57] **CLAIM**

The ornamental design for a lamp shade, as shown and described.

**DESCRIPTION**

FIG. 1 is a perspective view of lamp shade showing my new design;  
FIG. 2 is a front elevational view thereof, the opposite end, the left side elevational view and the right side elevational view thereof being identical in appearance;  
FIG. 3 is a top plan view thereof; and,  
FIG. 4 is a bottom plan view thereof.

**1 Claim, 4 Drawing Sheets**



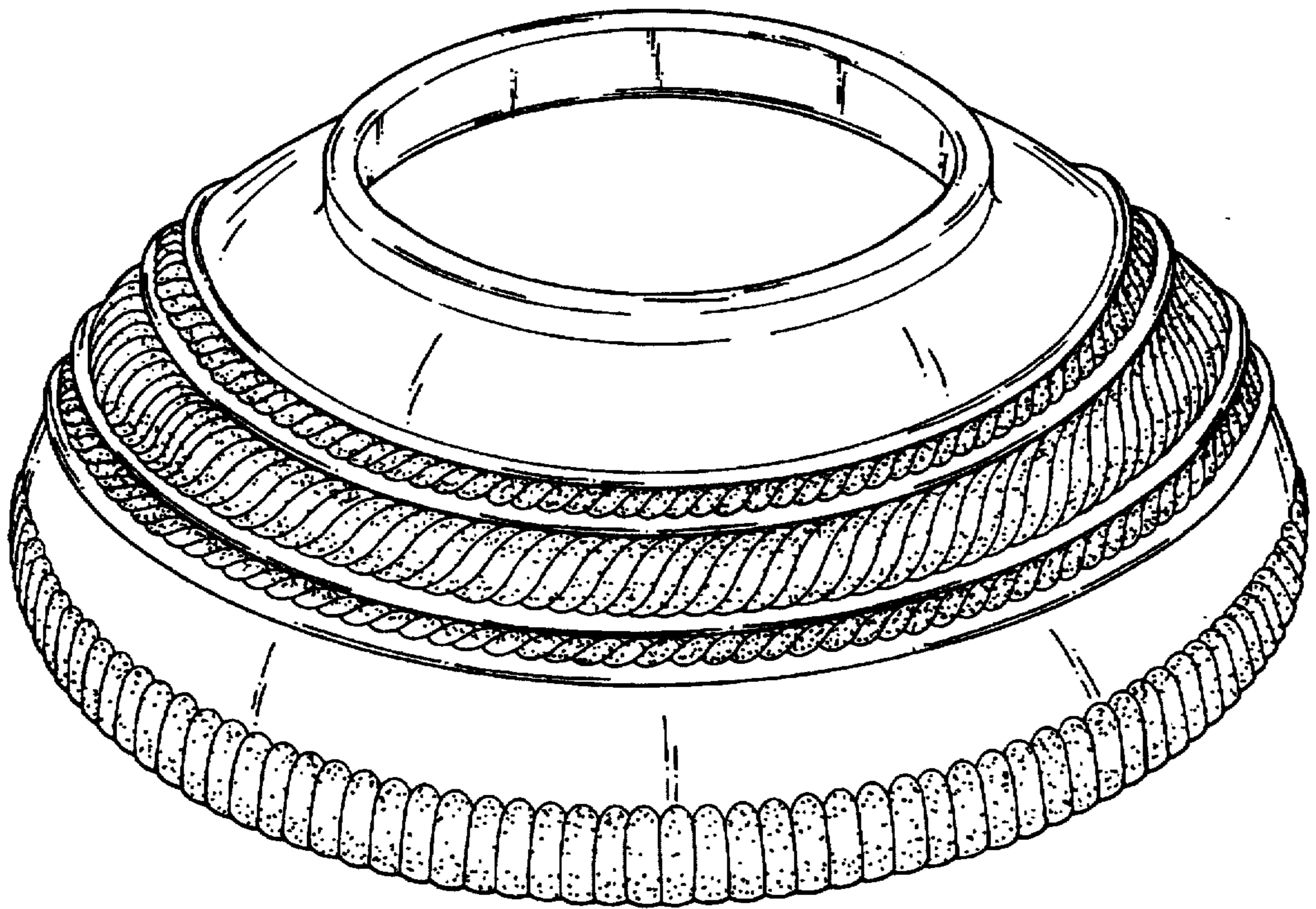


FIG. 1

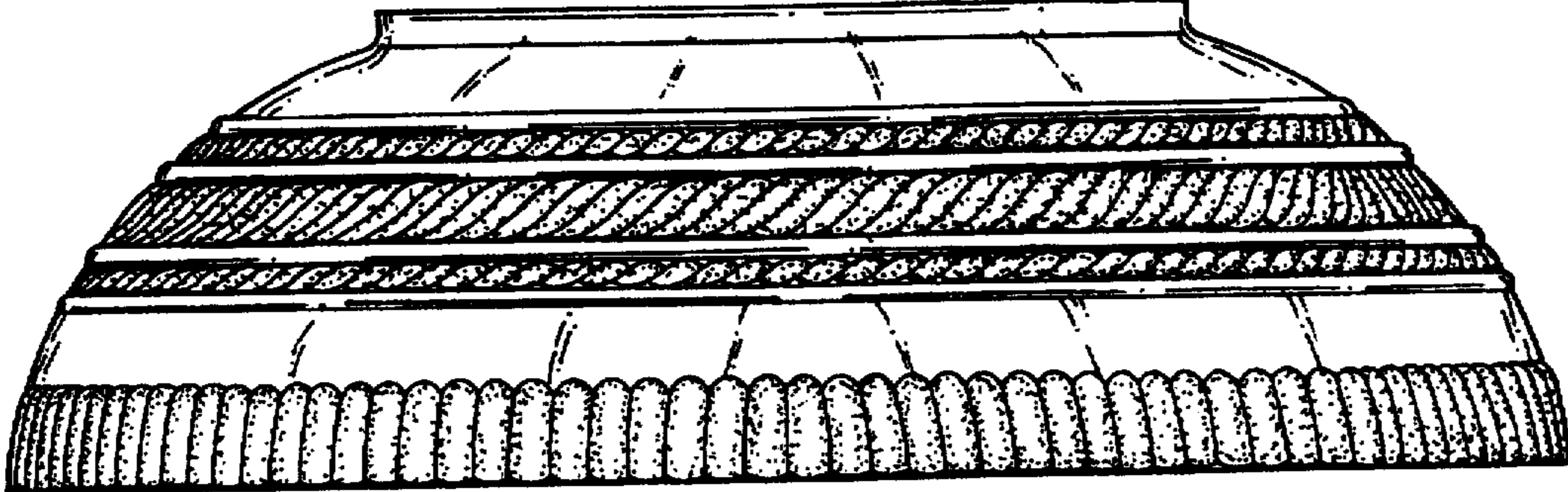


FIG. 2



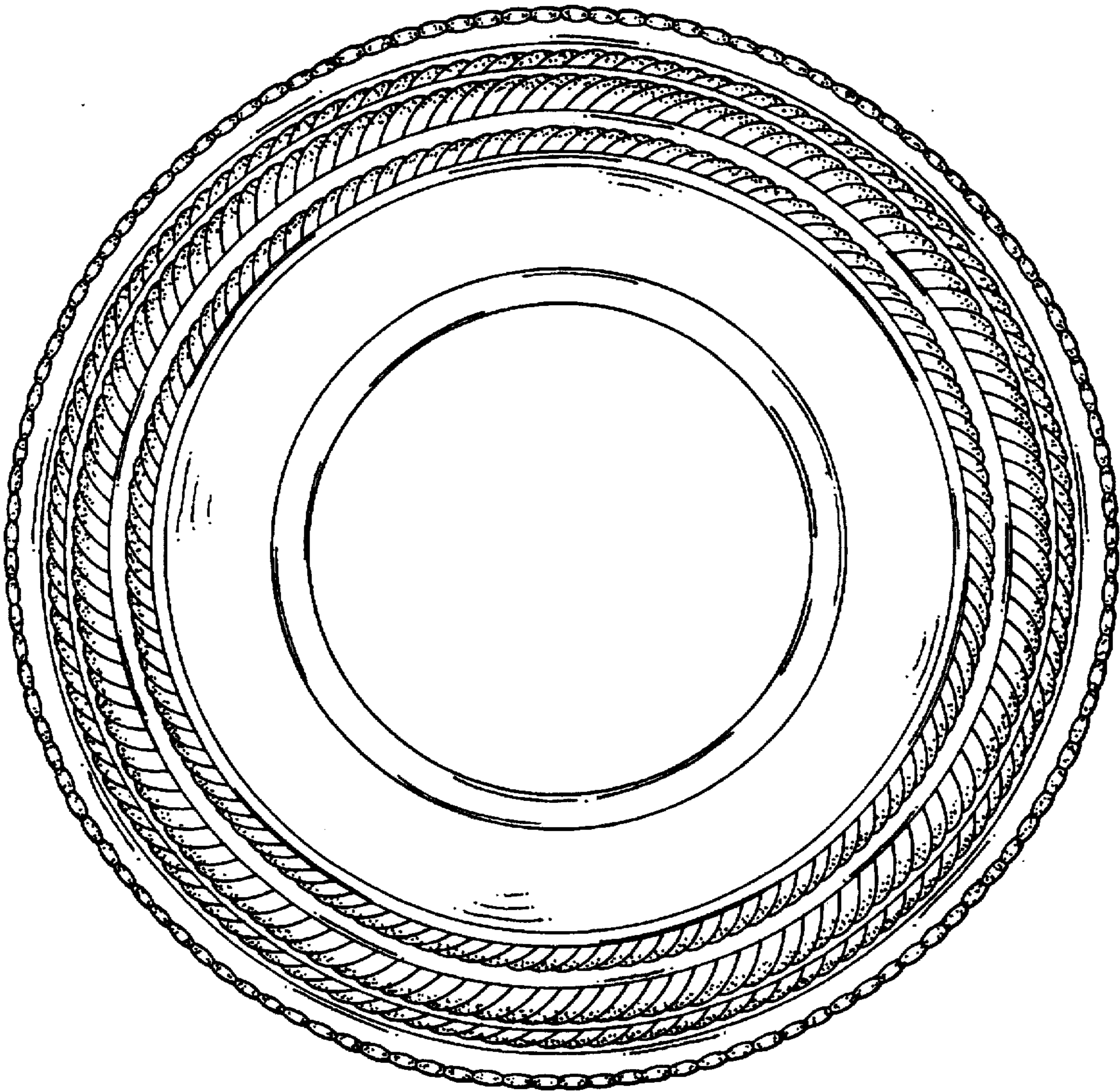


FIG. 3

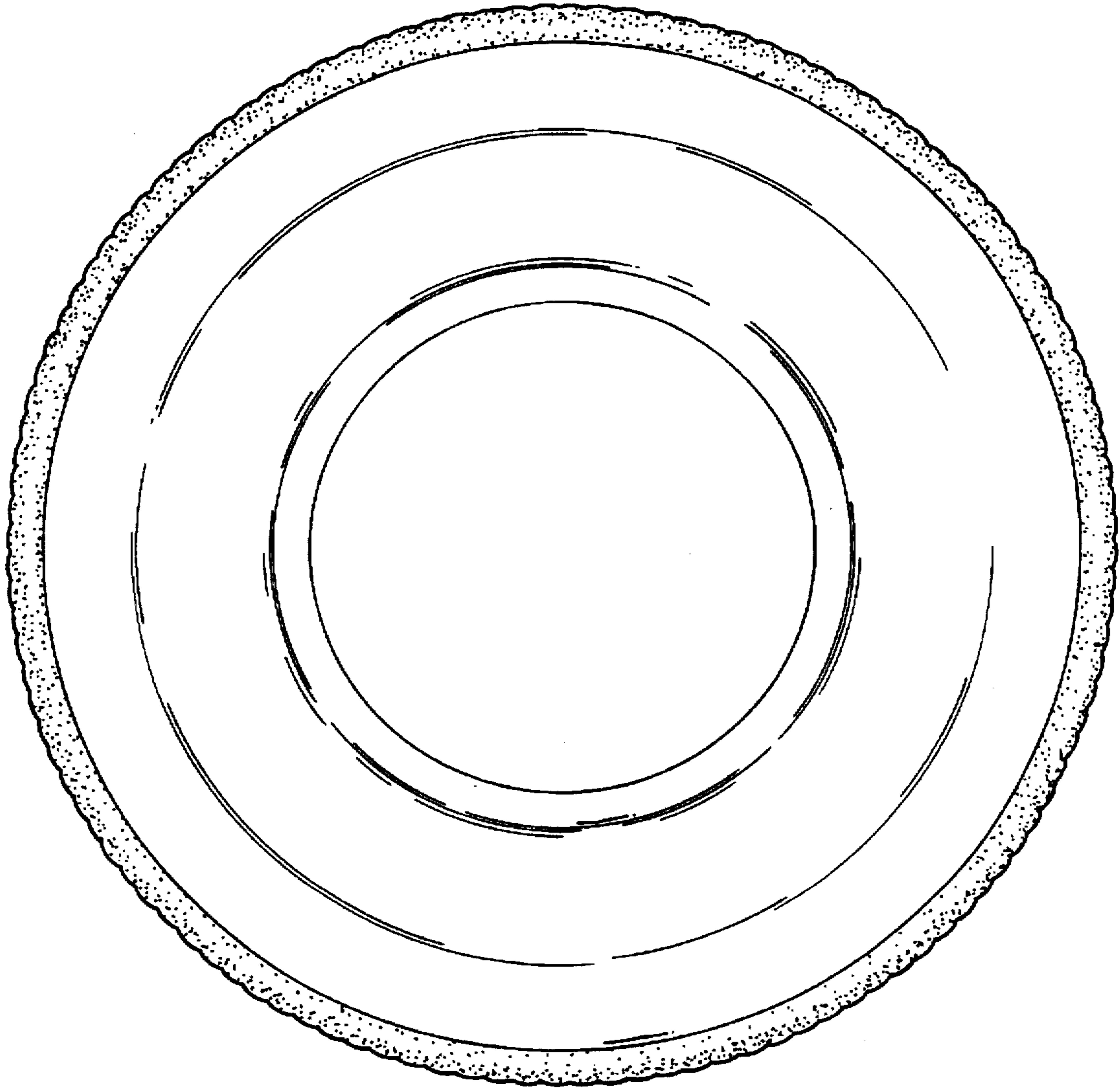


FIG. 4