



US00D389943S

United States Patent [19]

Miranda

[11] Patent Number: **Des. 389,943**

[45] Date of Patent: ****Jan. 27, 1998**

[54] SEMI-FLUSH LIGHTING FIXTURE

D. 58,106 6/1921 Poritz D26/81
D. 62,073 3/1923 Tomlison D26/88

[76] Inventor: **Pasquale Miranda**, 154 Sleepy Hollow Rd., Briarcliff Manor, N.Y. 10510

OTHER PUBLICATIONS

Home Lighting and Accessories, p. 36, Murray Feiss semi-flush lighting fixture, Feb. 1995.

[**] Term: **14 Years**

Primary Examiner—Susan J. Lucas

[21] Appl. No.: **65,341**

[57] CLAIM

[22] Filed: **Jan. 24, 1997**

The ornamental design for a semi-flush lighting fixture, as shown.

[51] LOC (6) Cl. **26-05**

[52] U.S. Cl. **D26/88**

[58] Field of Search D26/72, 80-92;
362/147, 404-408, 432

DESCRIPTION

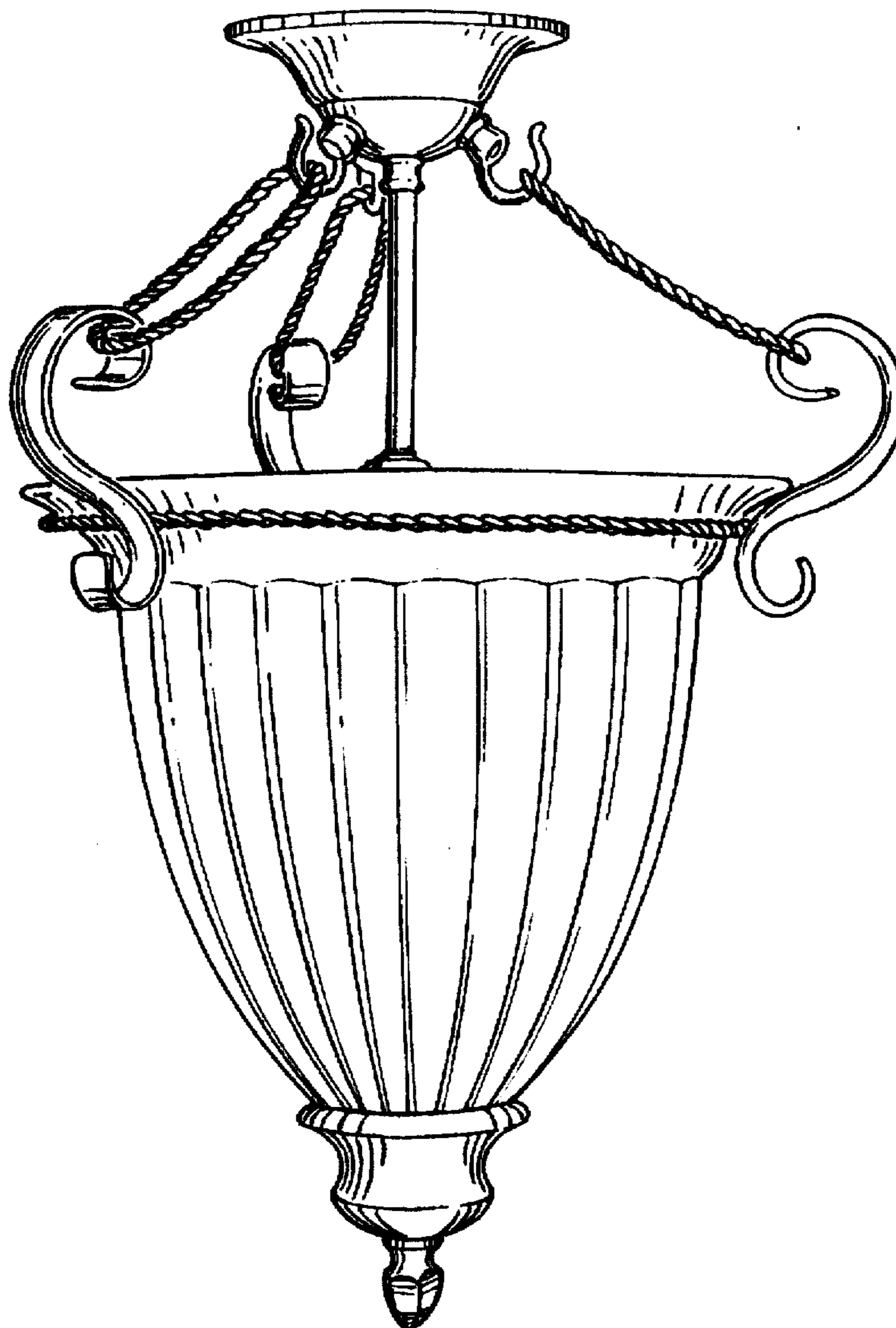
FIG. 1 is a side view;
FIG. 2 is a top view;
FIG. 3 is a bottom view; and
FIG. 4 is a perspective view.

[56] References Cited

U.S. PATENT DOCUMENTS

D. 56,162 8/1920 Holloway D26/88

1 Claim, 4 Drawing Sheets



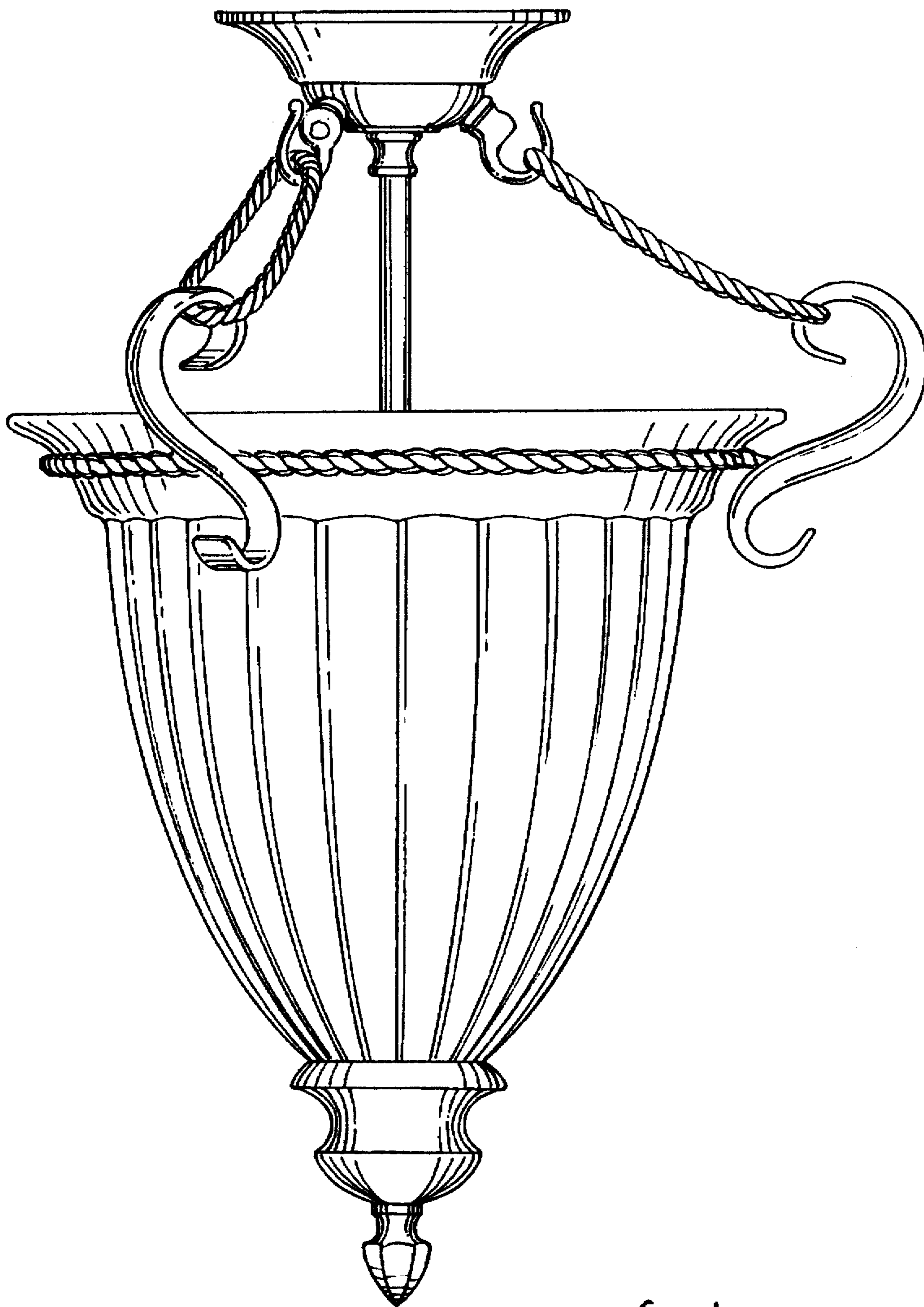


fig. 1

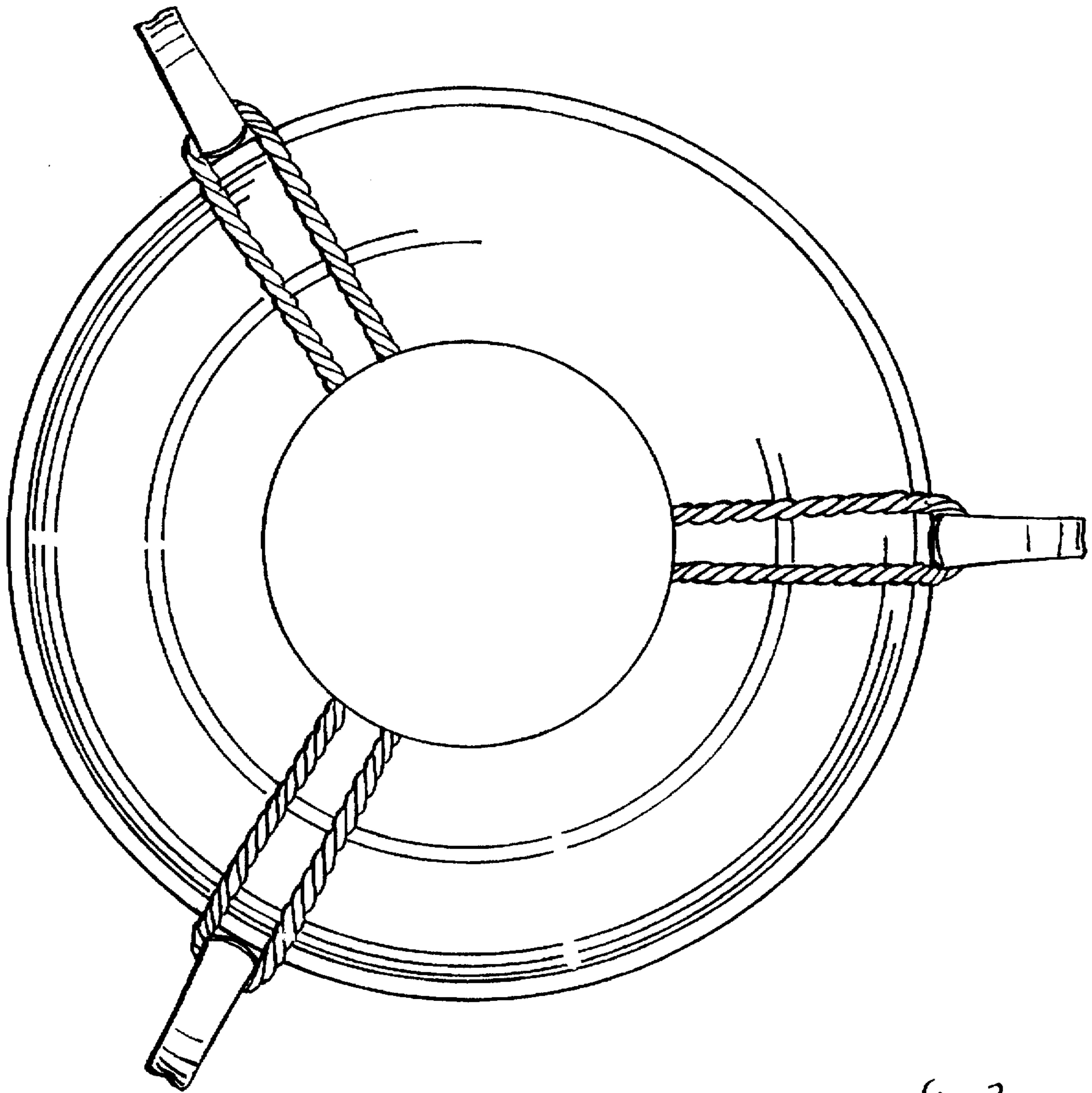


fig. 2

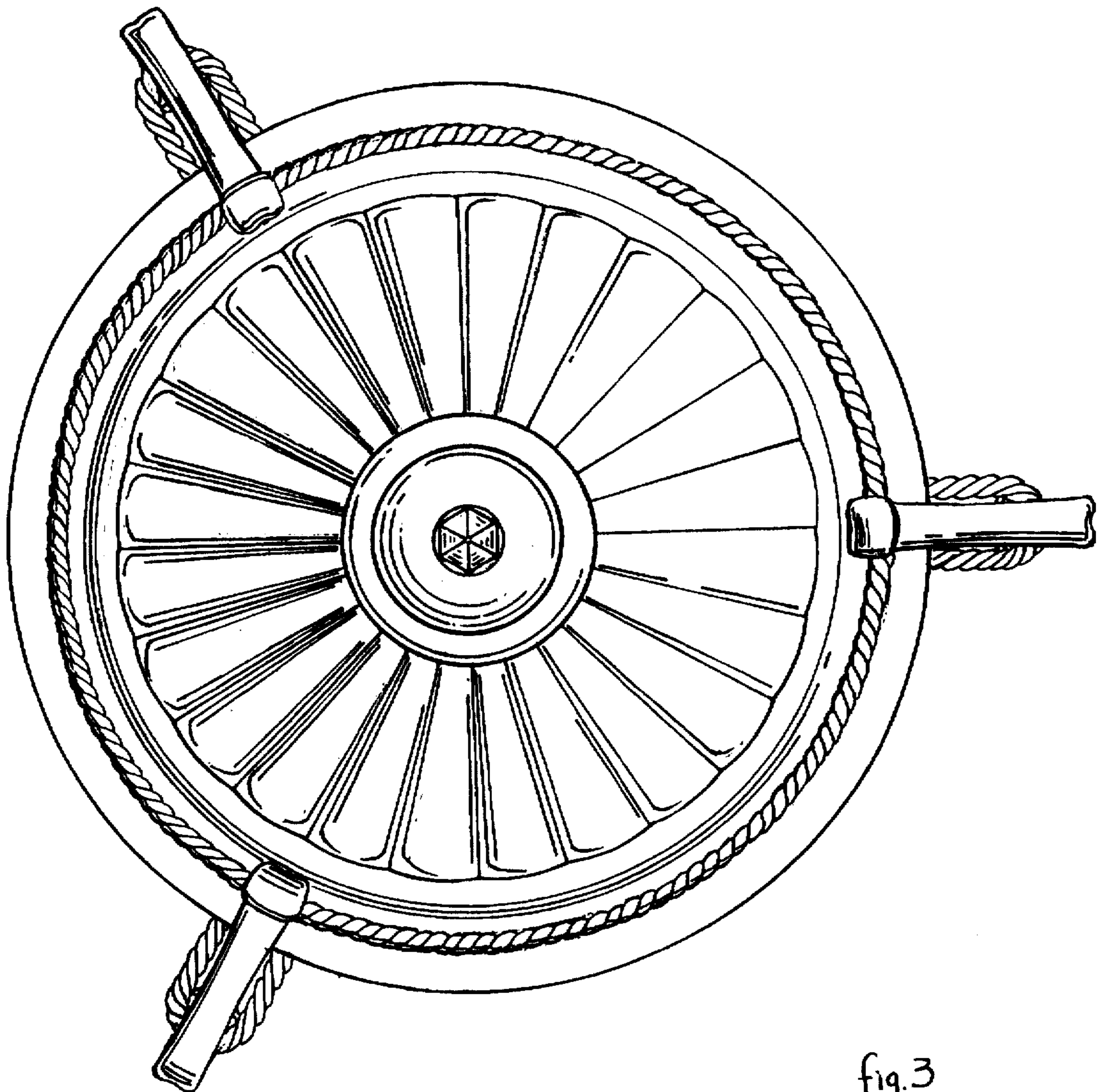


fig. 3

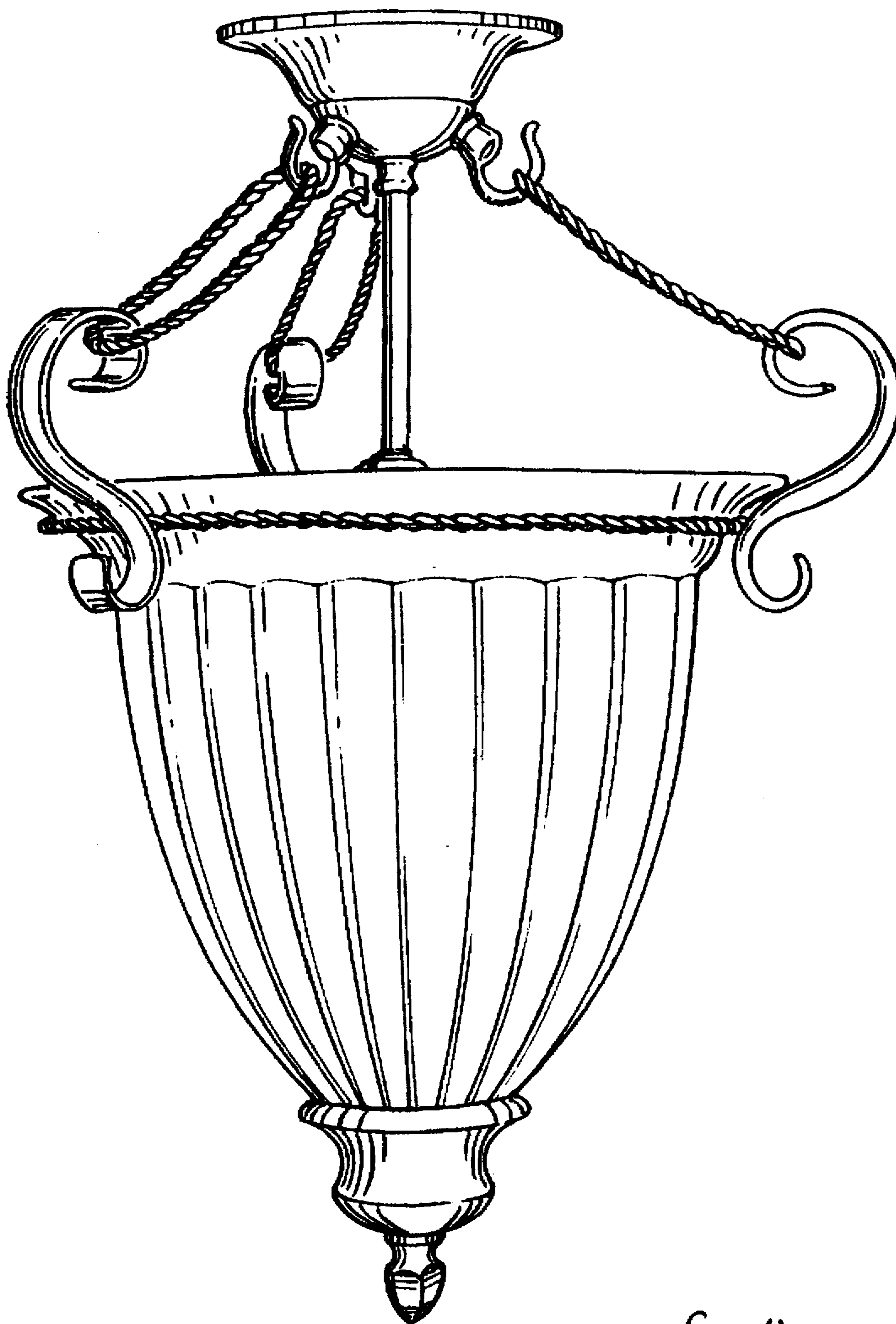


fig. 4