

US00D389940S

United States Patent [19]

Waldmann

[11] Patent Number: **Des. 389,940**

[45] Date of Patent: ****Jan. 27, 1998**

[54] **GRID LIGHT FIXTURE**

[75] Inventor: **Herbert Waldmann**, Bad Dür rheim, Germany

[73] Assignee: **Hertbert Waldmann GmbH & Co.**, Germany

[**] Term: **14 Years**

[21] Appl. No.: **29,858**

[22] Filed: **Oct. 18, 1994**

[30] **Foreign Application Priority Data**

Apr. 20, 1994 [WO] WIPO DM/029378

[51] LOC (6) Cl. **26-05**

[52] U.S. Cl. **D26/76**

[58] Field of Search D26/75, 76, 77, D26/78; 362/221, 222, 217, 363, 376, 377, 378

[56] **References Cited**

U.S. PATENT DOCUMENTS

- D. 138,162 6/1944 Maurette D26/77
- D. 140,504 3/1945 Gleason D26/76
- D. 280,025 8/1985 Waters D26/75 X

- D. 291,928 9/1987 Morten D26/76
- D. 333,190 2/1993 Waldmann D26/75
- 2,983,813 5/1961 Pfaff, Jr. D26/76 X

Primary Examiner—Susan J. Lucas
Attorney, Agent, or Firm—Eugene E. Renz, Jr.

[57] **CLAIM**

The ornamental design for a grid light fixture, as shown and described.

DESCRIPTION

FIG. 1 is a top plan view of my design for a grid light fixture; FIG. 2 is a front elevational view of my design for a grid light fixture; FIG. 3 is a bottom plan view of my design for a grid light fixture; FIG. 4 is a side, elevational view of my design for a grid light fixture as evidenced from the left; FIG. 5 is a side elevational view of my design for a grid light fixture as viewed from the right; and, FIG. 6 is a partial cross sectional view of my design for a grid light fixture, the end cap being fragmentarily shown for purposes of disclosure. The transparent tube is fragmentarily shown in FIGS. 1 and 2 for clarity of disclosure.

1 Claim, 2 Drawing Sheets

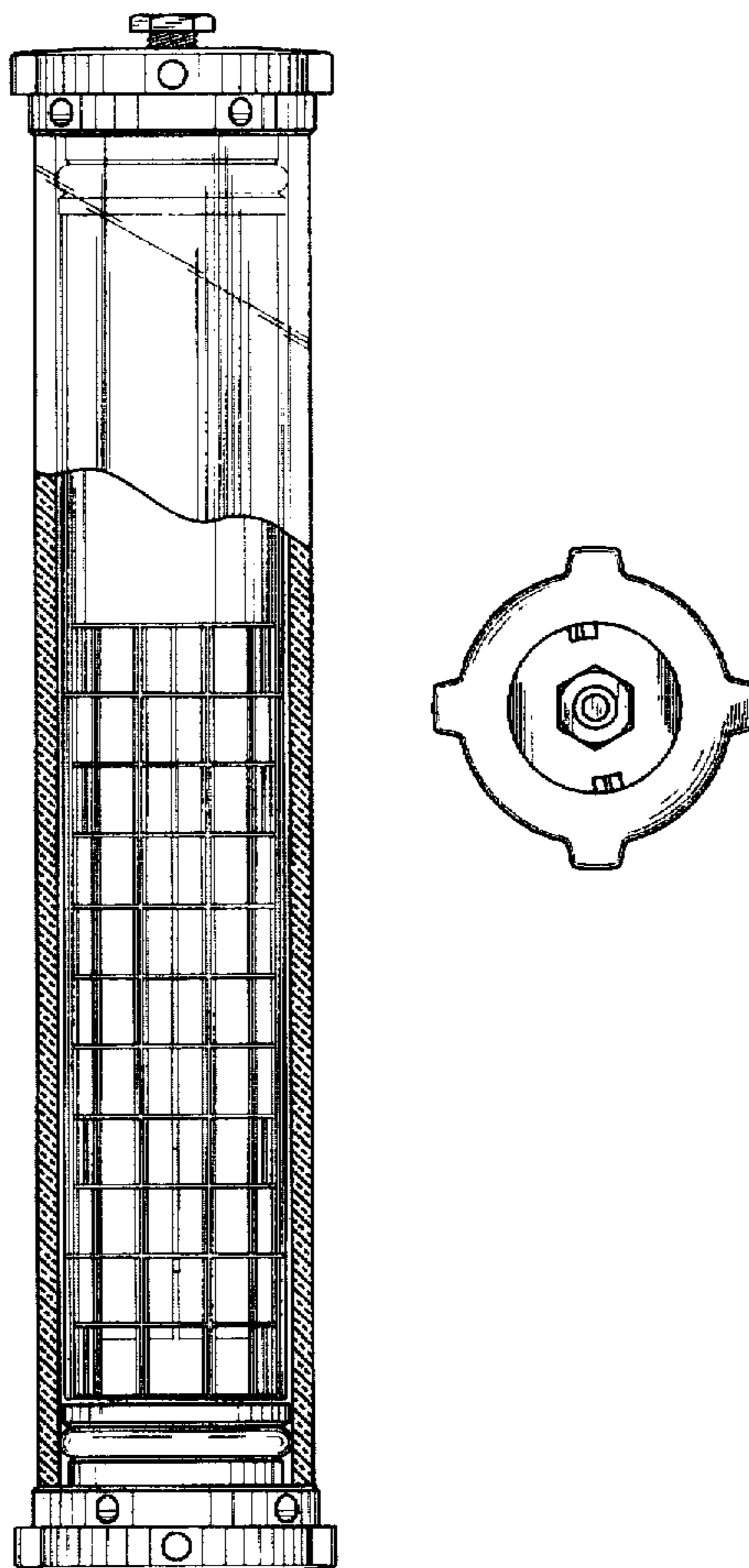


FIG. 1

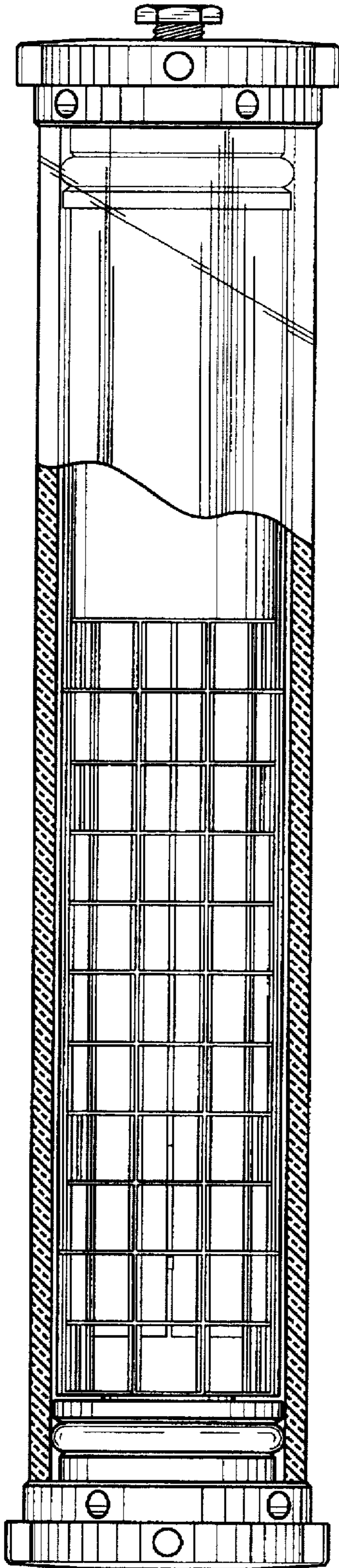


FIG. 2

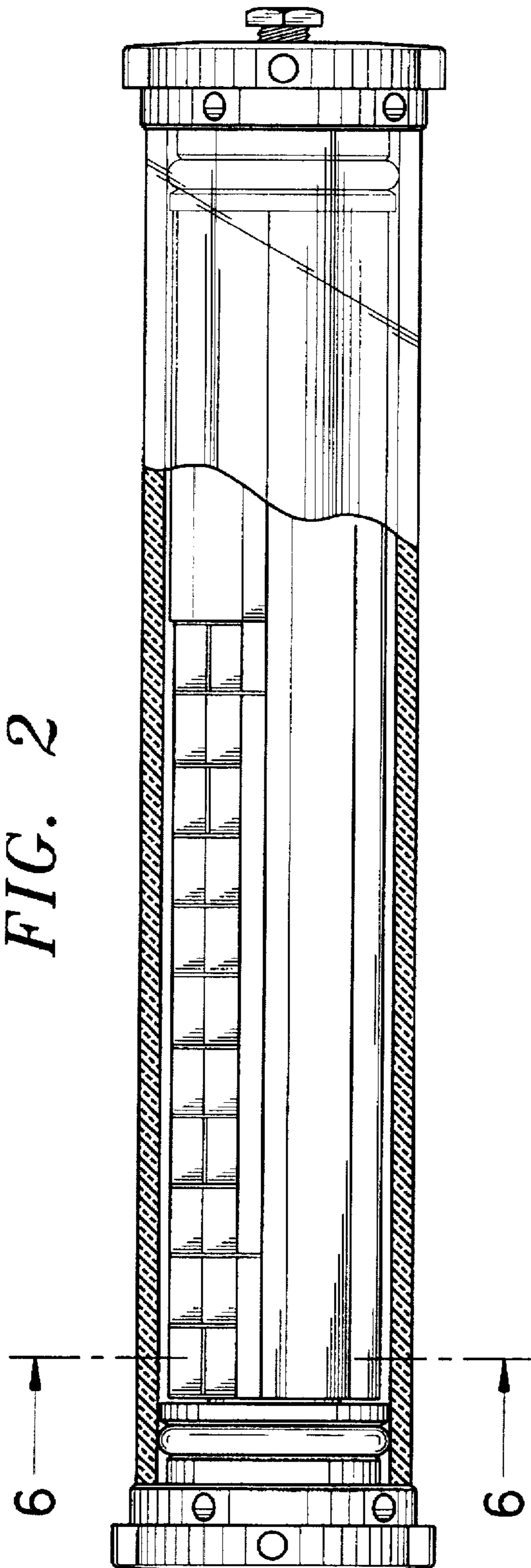


FIG. 3

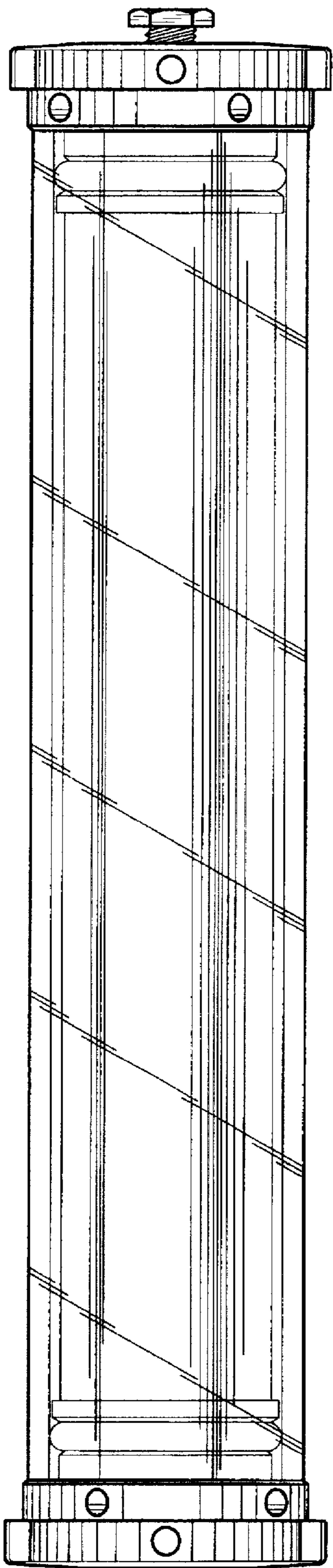


FIG. 4

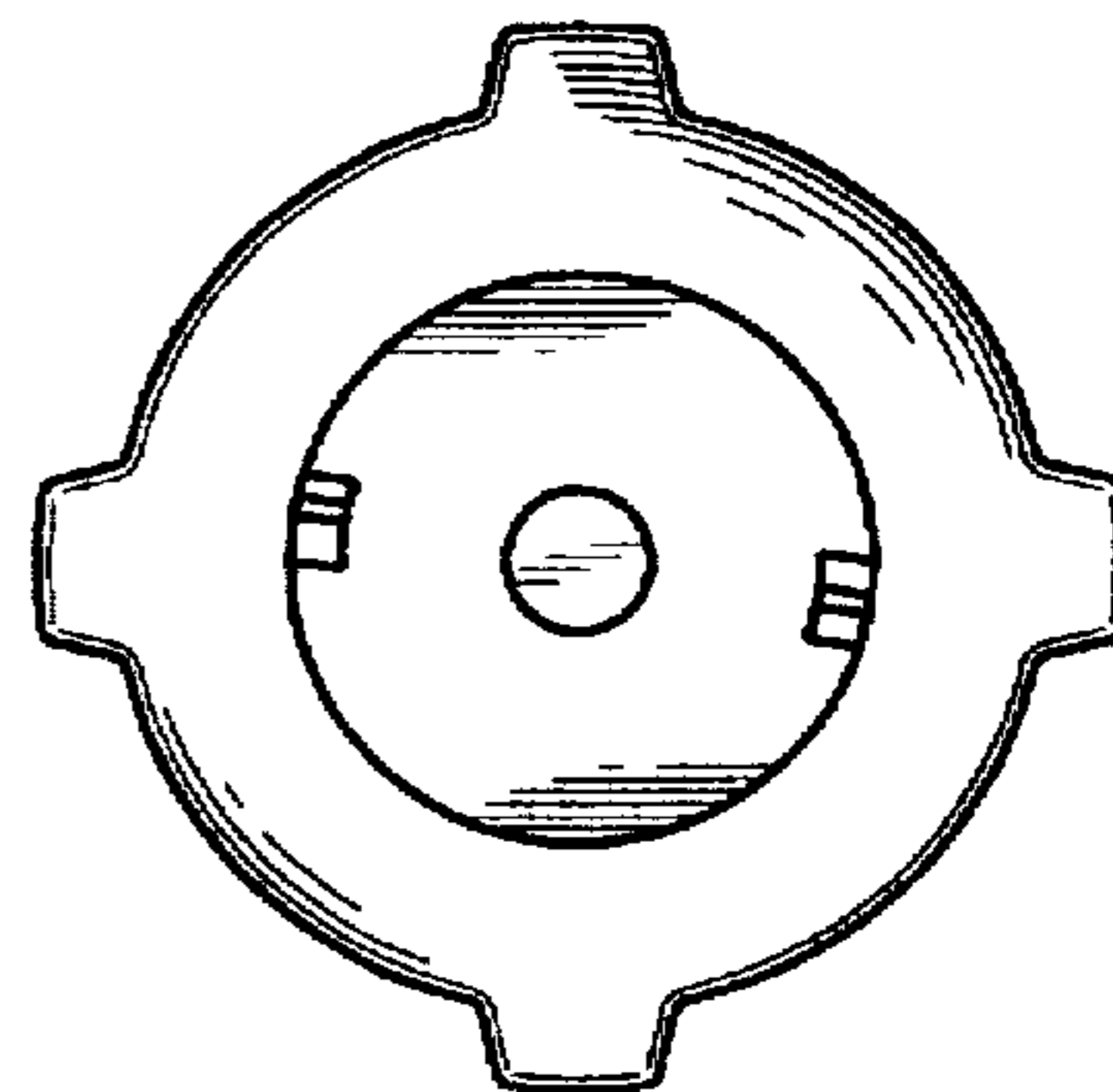


FIG. 5

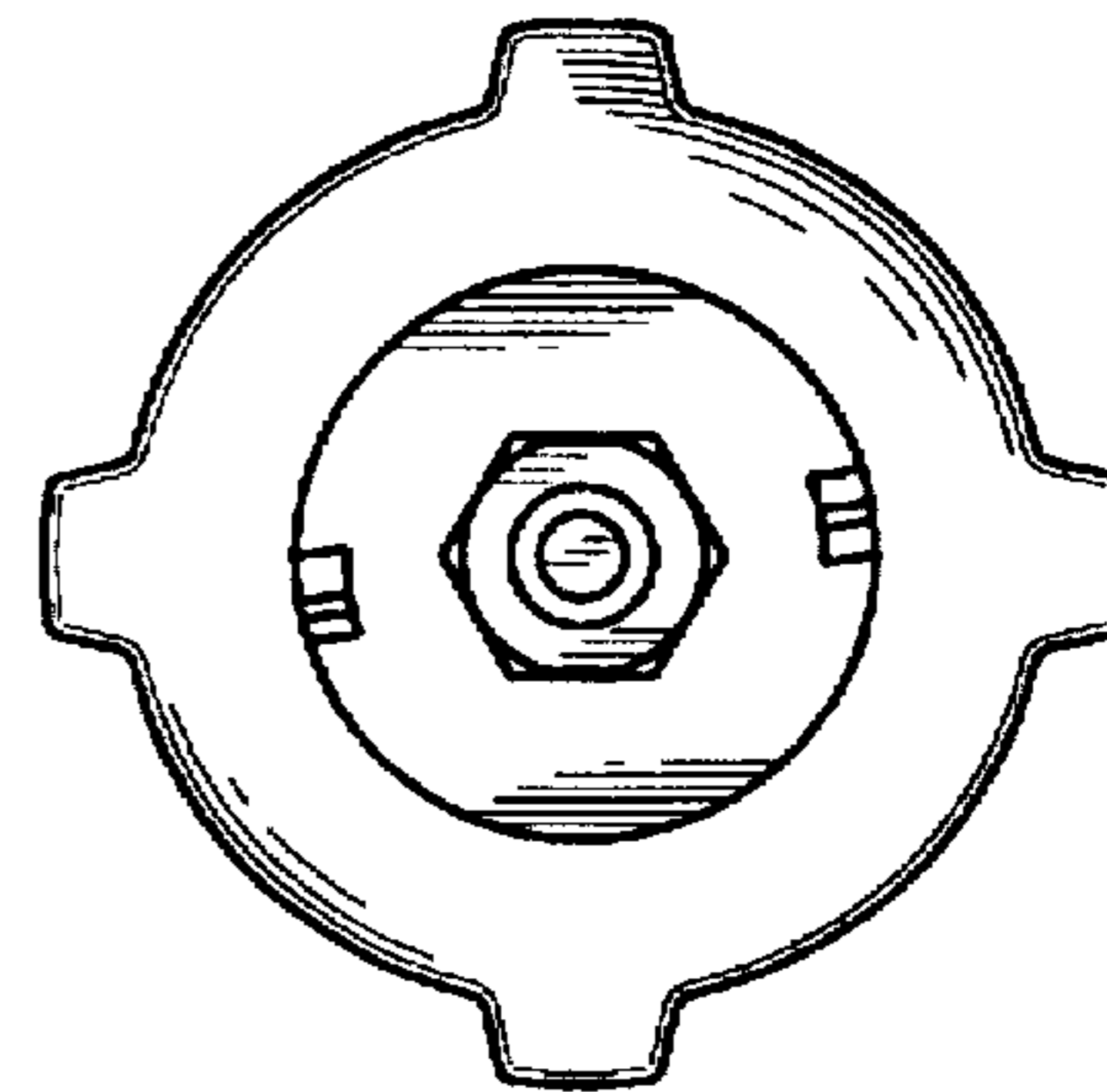


FIG. 6

