

US00D389939S

United States Patent [19]

[11] Patent Number: **Des. 389,939**

Leen

[45] Date of Patent: ****Jan. 27, 1998**

[54] **MERCURY VAPOR LIGHT BASE FOR EXTERIOR LIGHTING FIXTURE**

4,595,971 6/1986 Dean 362/431 X
4,905,132 2/1990 Singaray et al. 362/431 X

[76] Inventor: **Monte A. Leen**, 1804 W. Lake Sammamish Parkway NE., Bellevue, Wash. 98008

Primary Examiner—Susan J. Lucas
Attorney, Agent, or Firm—Christensen, O'Connor, Johnson & Kindness PLLC

[**] Term: **14 Years**

[57] CLAIM

[21] Appl. No.: **67,738**

The ornamental design for a mercury vapor light base for exterior lighting fixture, as shown and described.

[22] Filed: **Mar. 11, 1997**

DESCRIPTION

[51] LOC (6) Cl. **26-03**

[52] U.S. Cl. **D26/71; D26/113**

[58] Field of Search D26/24, 67-70, D26/72, 87, 92, 142, 113, 118; 362/147, 153, 362, 431, 432

FIG. 1 is a top isometric view of a mercury vapor light base for exterior lighting fixture showing my new design; FIG. 2 is a bottom isometric view thereof; FIG. 3 is a top plan view thereof; FIG. 4 is a bottom plan view thereof; FIG. 5 is a back elevational view thereof; FIG. 6 is a front elevational view thereof; and, FIG. 7 is a side elevational view thereof with other elements of a mercury vapor light shown in phantom for illustrative purposes only & forming no part of the claimed design.

[56] References Cited

U.S. PATENT DOCUMENTS

D. 184,007	12/1958	Corwin	D26/71
D. 313,483	1/1991	Blake	D26/71
D. 329,714	9/1992	McIngvale, Jr.	D26/71
D. 358,226	5/1995	Osteen et al.	D26/71

1 Claim, 4 Drawing Sheets

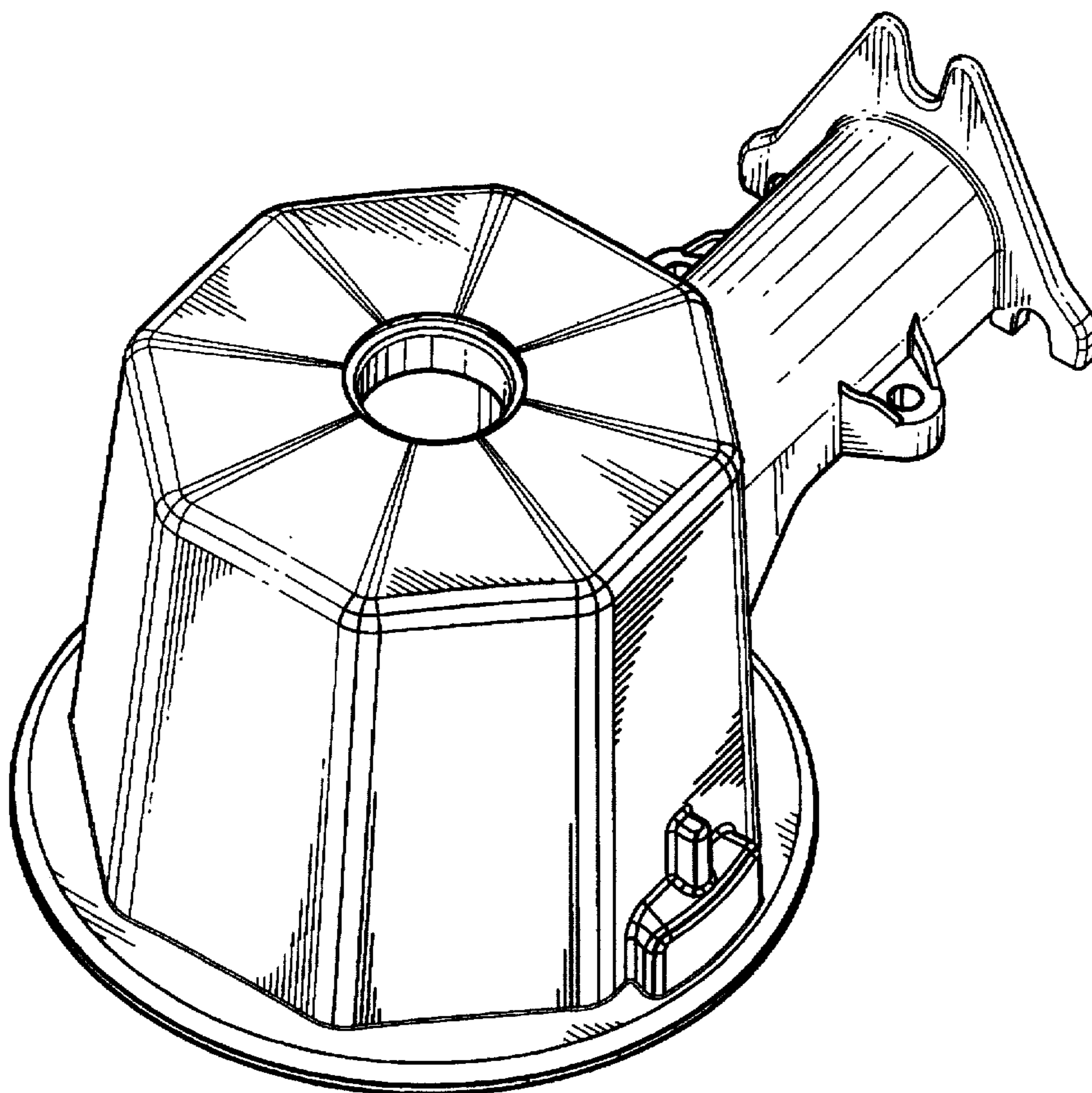


Fig. 1

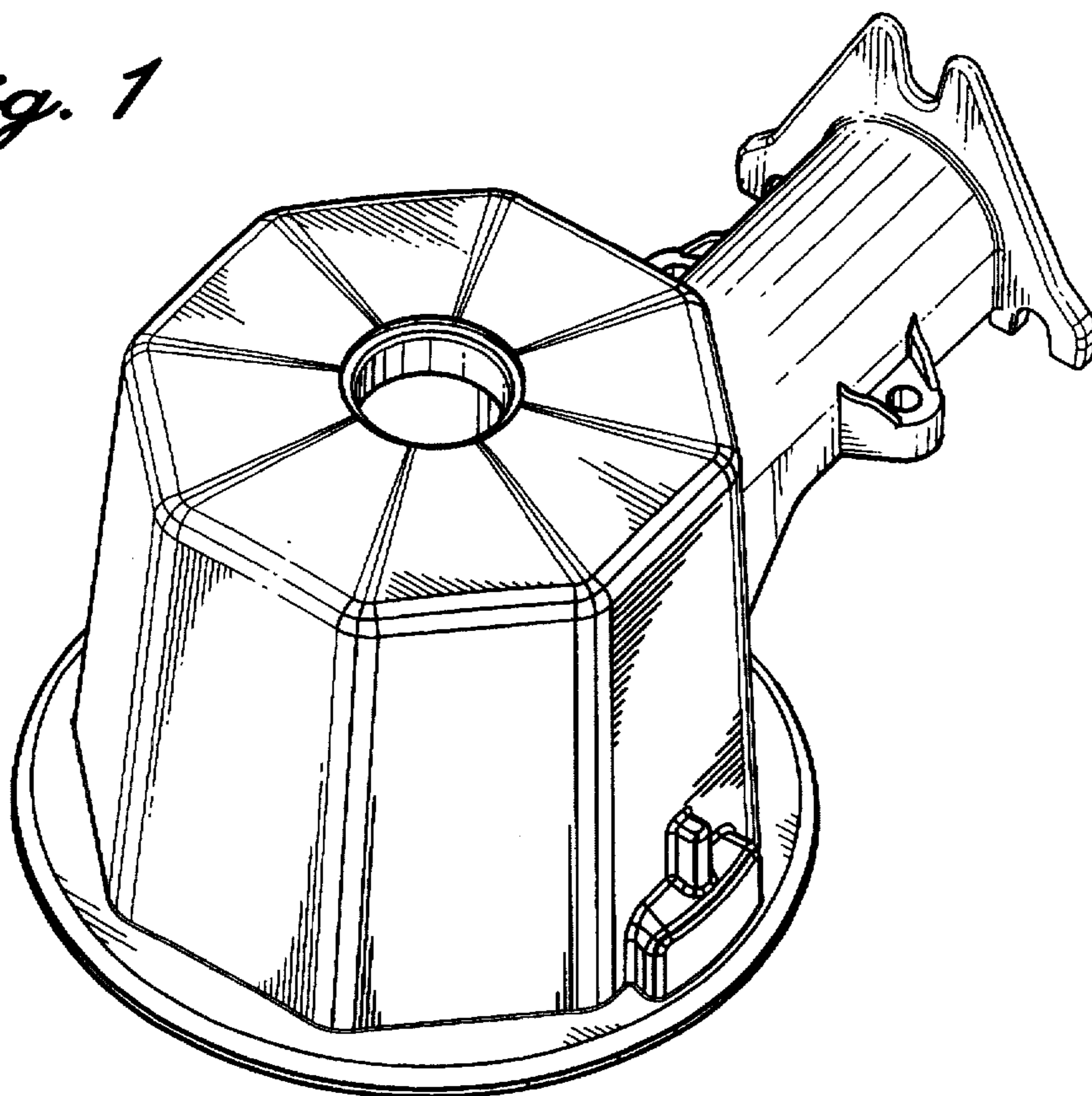
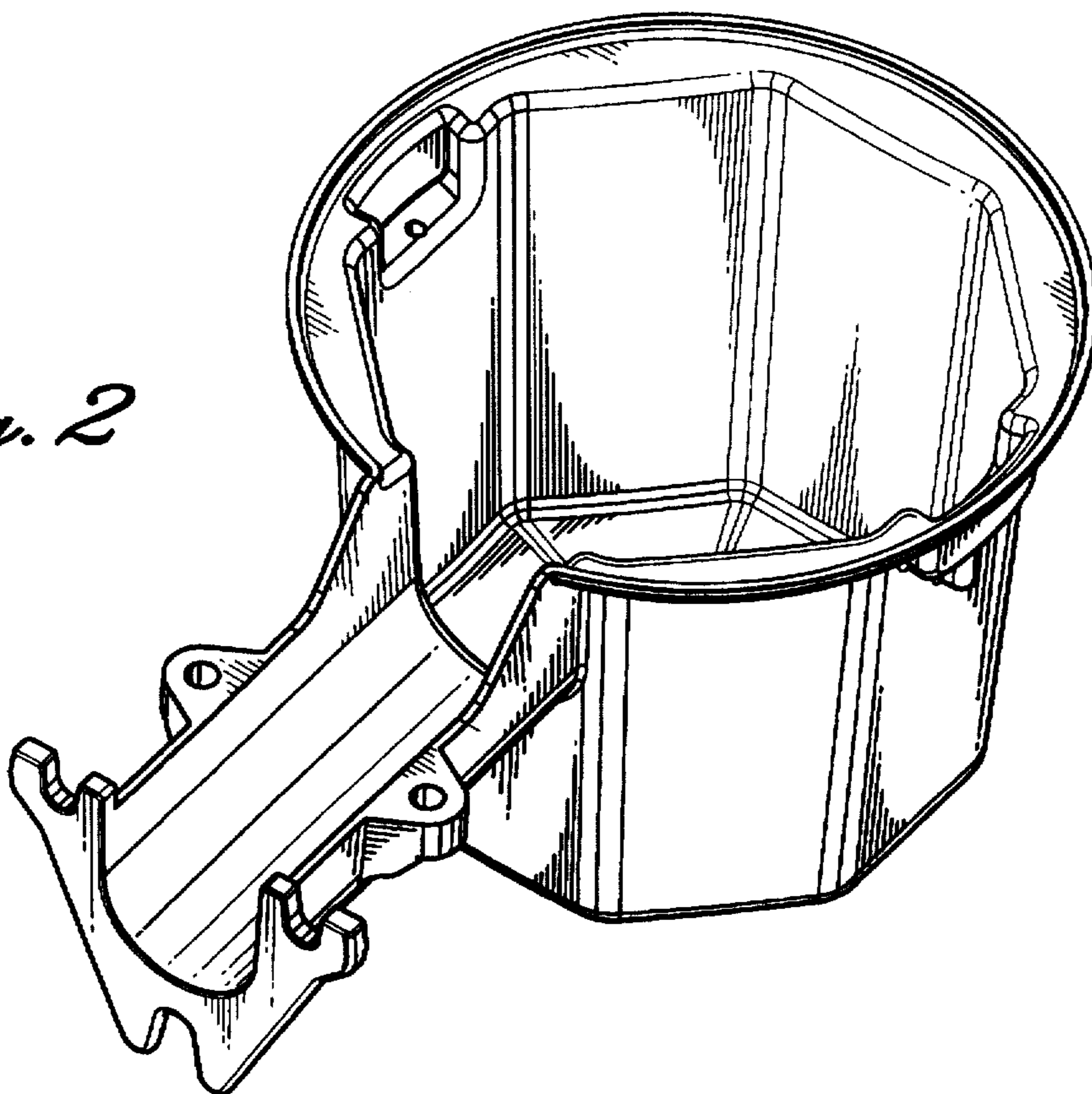


Fig. 2



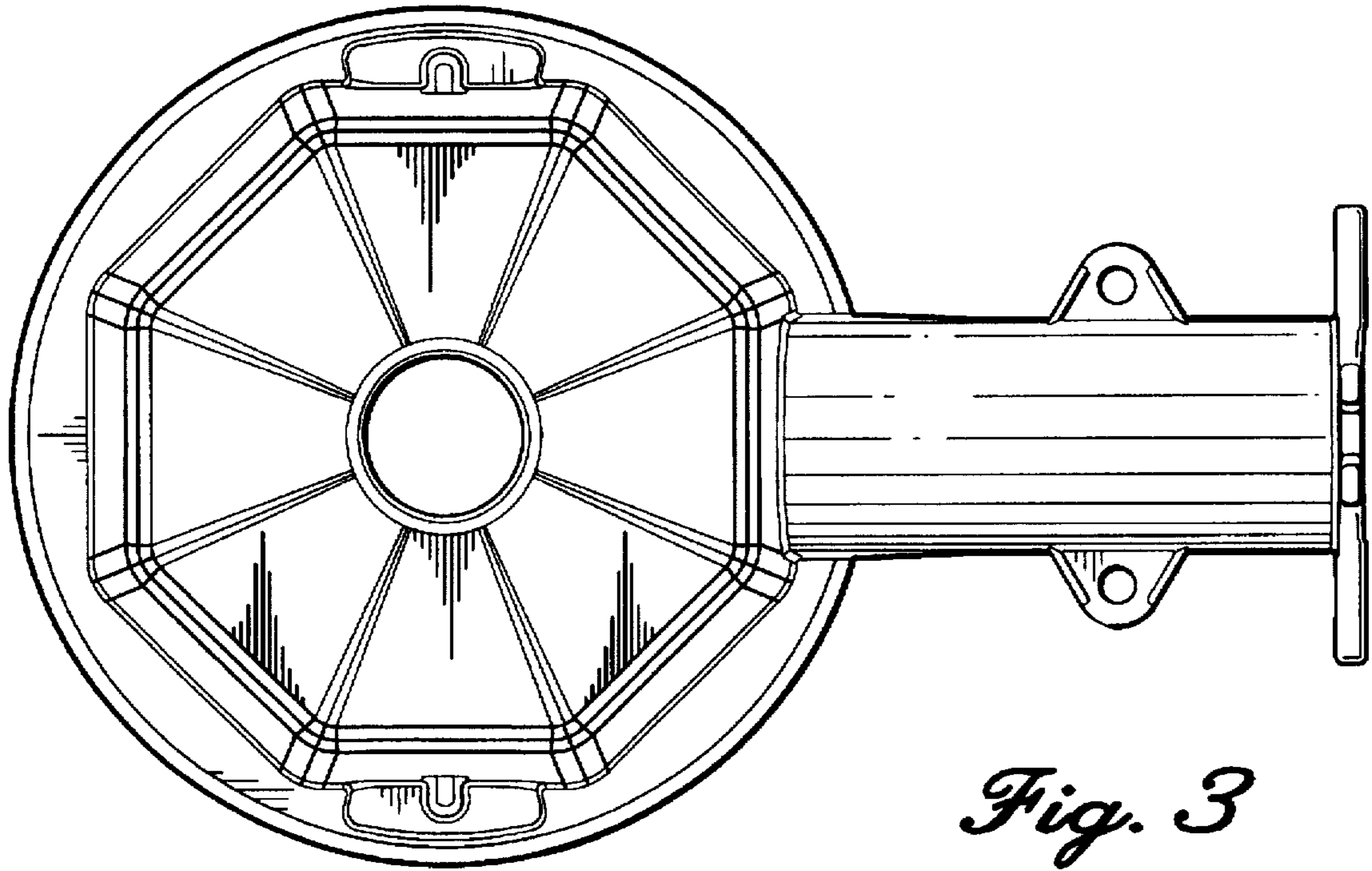


Fig. 3

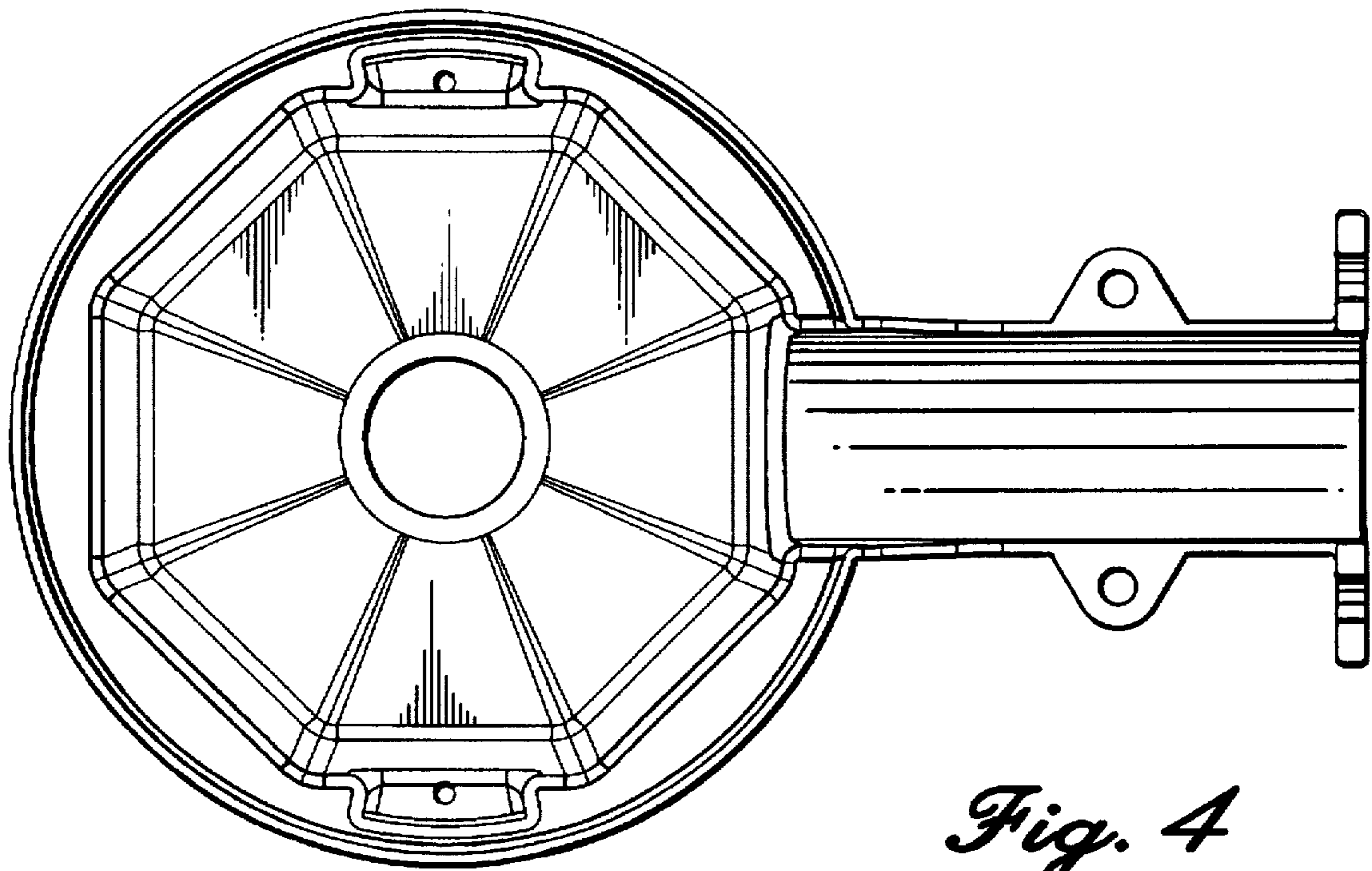


Fig. 4

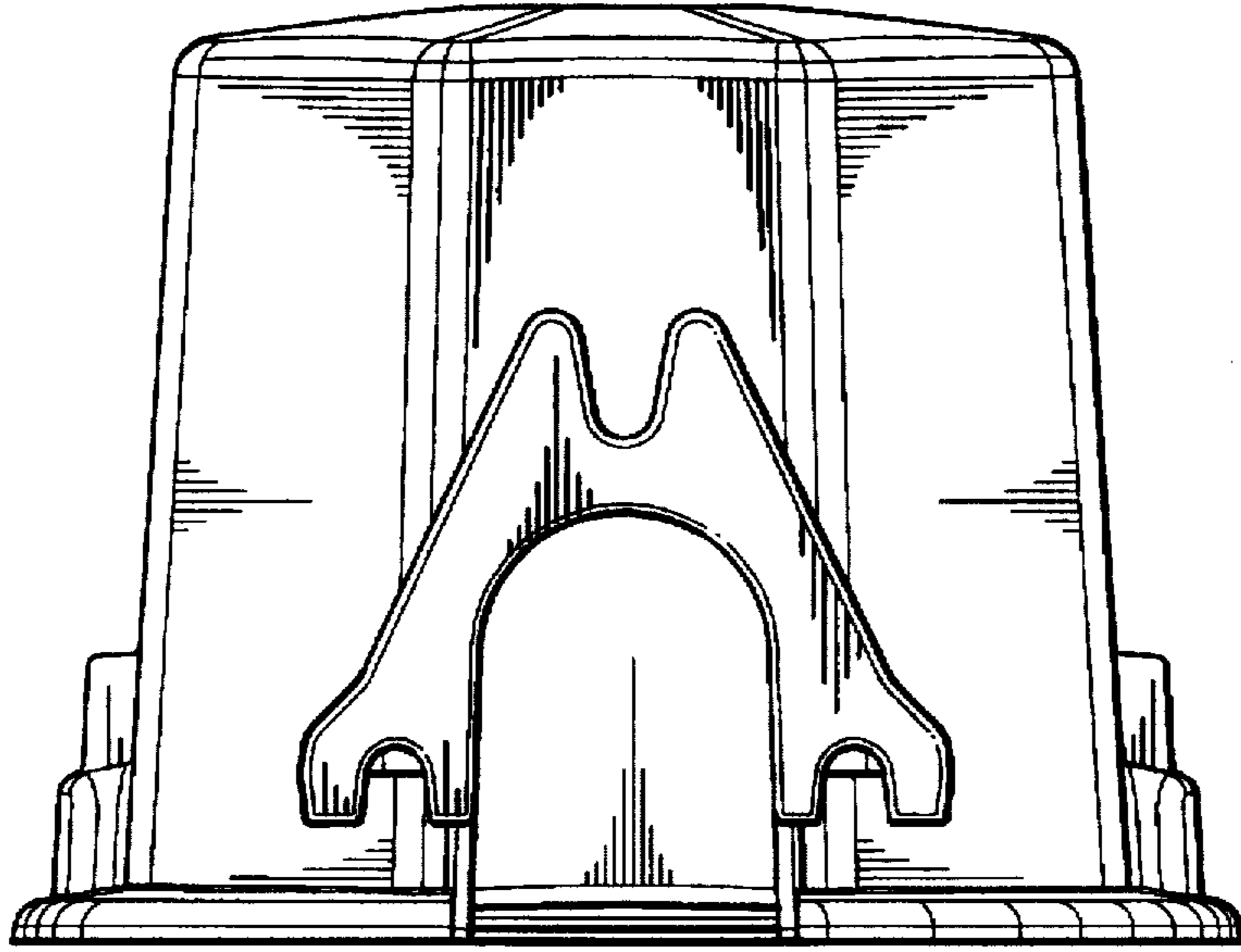


Fig. 5

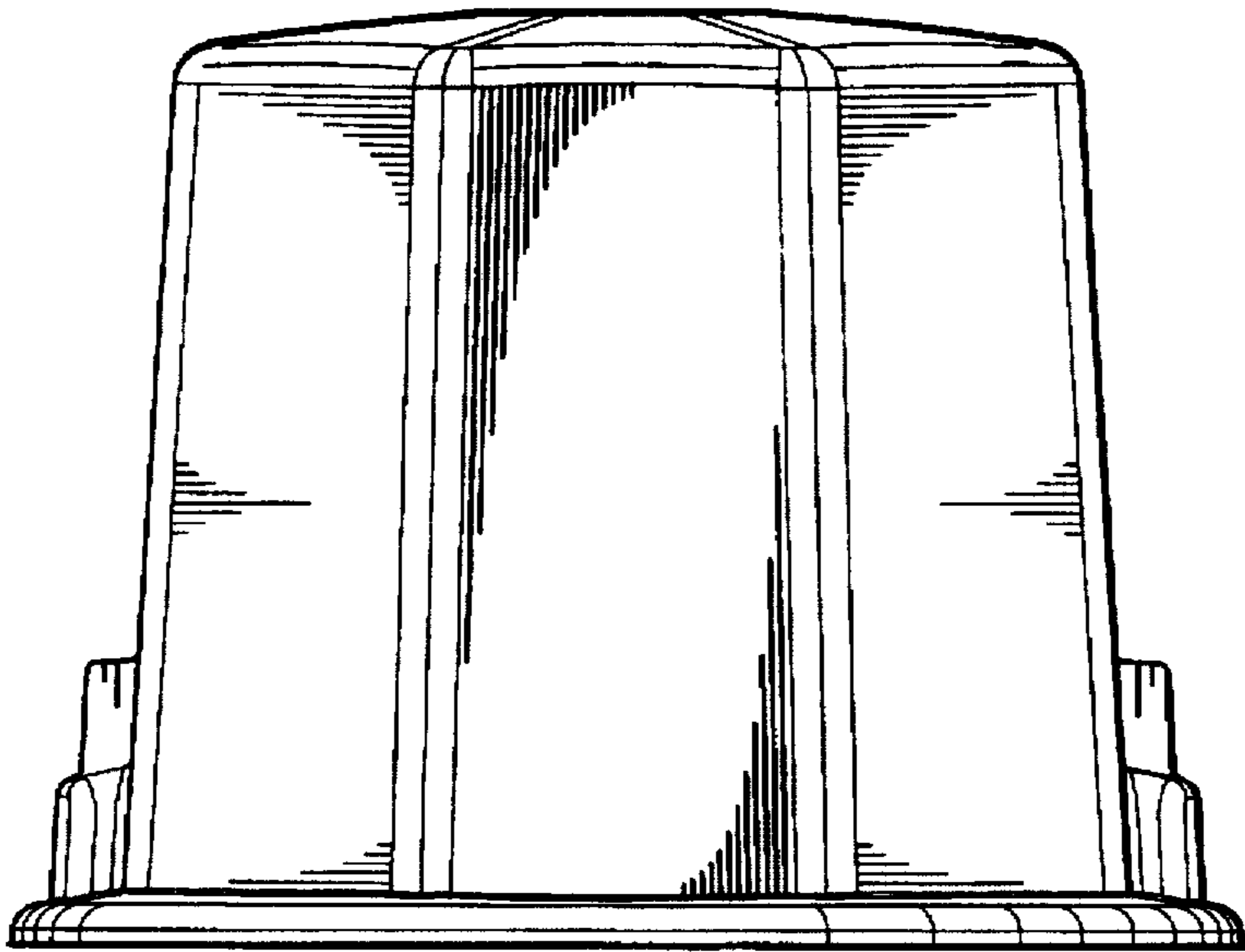


Fig. 6

