

US00D389937S

# United States Patent [19]

O'Brien et al.

[11] Patent Number: **Des. 389,937**

[45] Date of Patent: **\*\*Jan. 27, 1998**

[54] **OUTDOOR LIGHT FIXTURE**

[75] Inventors: **Steven T. O'Brien**, Brooklyn Park;  
**Anthony N. Pink**, Shorewood, both of  
Minn.

[73] Assignee: **The Toro Company**, Bloomington,  
Minn.

[\*\*] Term: **14 Years**

[21] Appl. No.: **69,397**

[22] Filed: **Apr. 11, 1997**

[51] LOC (6) CL ..... **26-05**

[52] U.S. Cl. .... **D26/68**

[58] Field of Search ..... **D26/67-70; 362/147,**  
**362/153, 153.1, 431, 362**

[56] **References Cited**

**U.S. PATENT DOCUMENTS**

D. 197,438	2/1964	Harling et al. ....	D48/31
5,384,694	1/1995	Yang .....	362/427 X
5,398,180	3/1995	Lee .....	362/431

**OTHER PUBLICATIONS**

Hanover Lantern catalog, p. 10, post lantern #6374, 1989.  
Intermatic Malibu Low Voltage Outdoor Lighting catalog,  
front cover, post lantern, lower, left 1993.

Brochure entitled "Toro Outdoor Lighting", #490-5474-C,  
copyright 1993.

*Primary Examiner*—Susan J. Lucas  
*Attorney, Agent, or Firm*—Donald S. Trevarthen

[57] **CLAIM**

The ornamental design for a outdoor light fixture, as shown  
and described.

**DESCRIPTION**

FIG. 1 is a perspective view of an outdoor light fixture  
showing our new design;

FIG. 2 is a right side elevational view thereof, the left side  
being a mirror image;

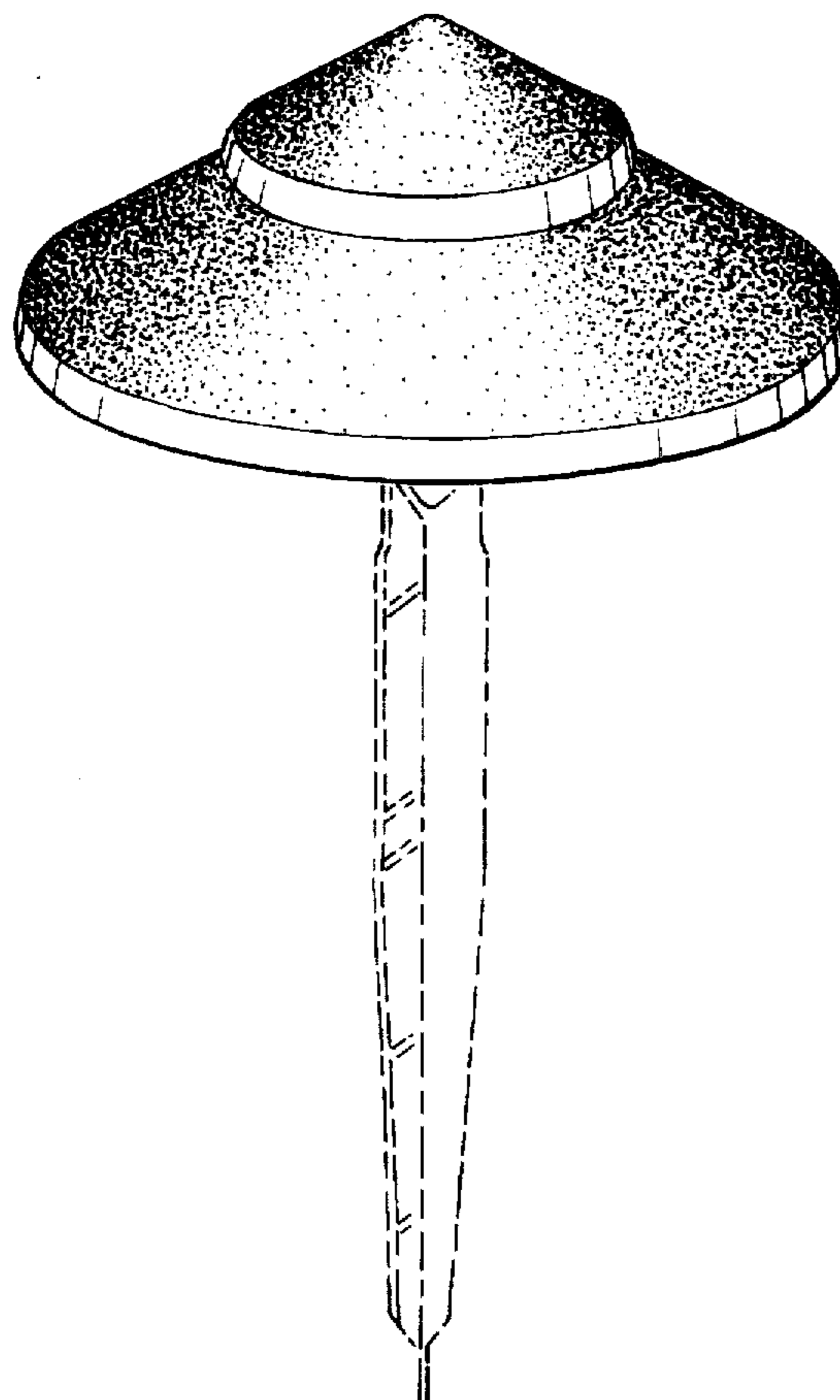
FIG. 3 is a top plan view thereof;

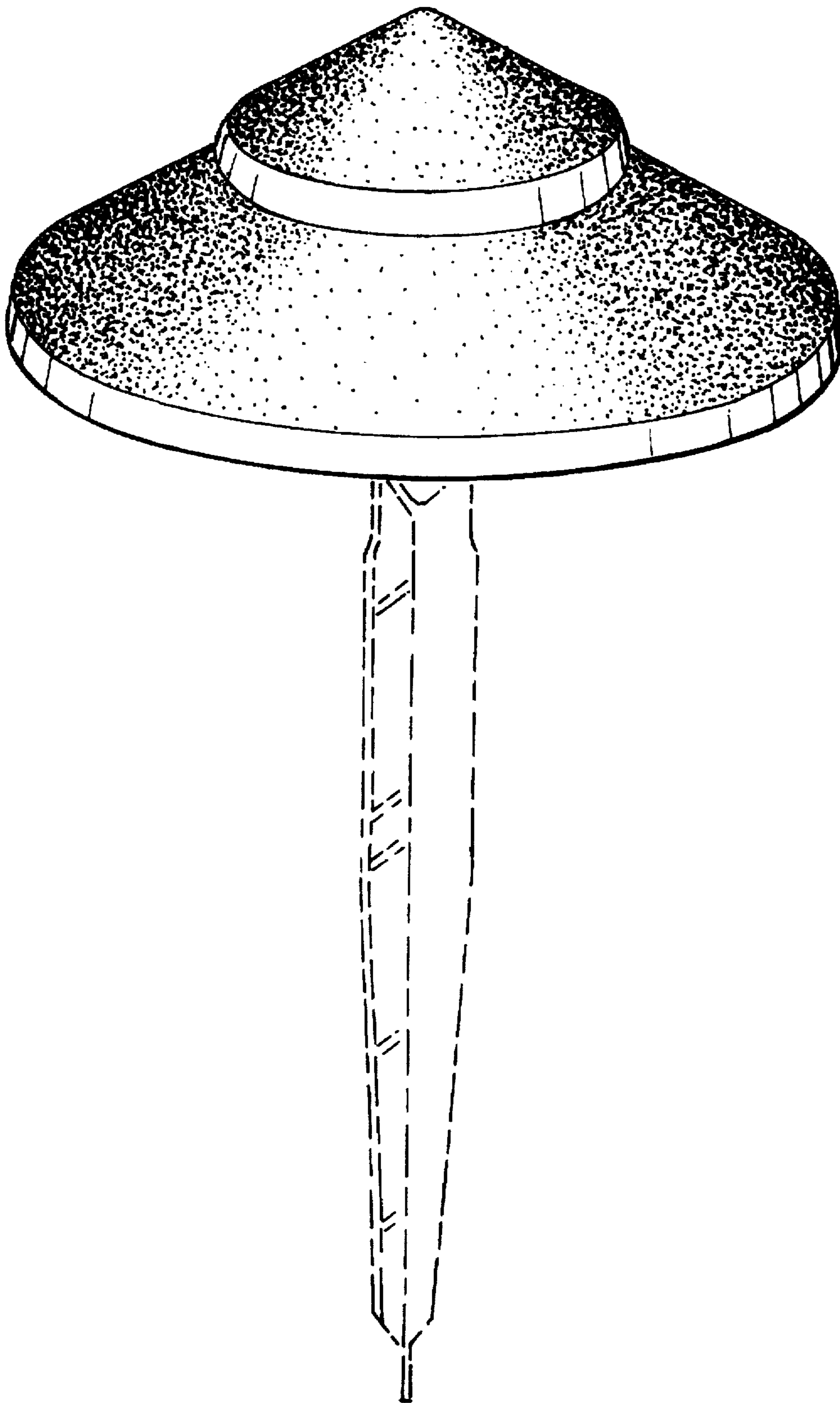
FIG. 4 is a front elevational view thereof, the rear being a  
mirror image; and,

FIG. 5 is a bottom plan view thereof.

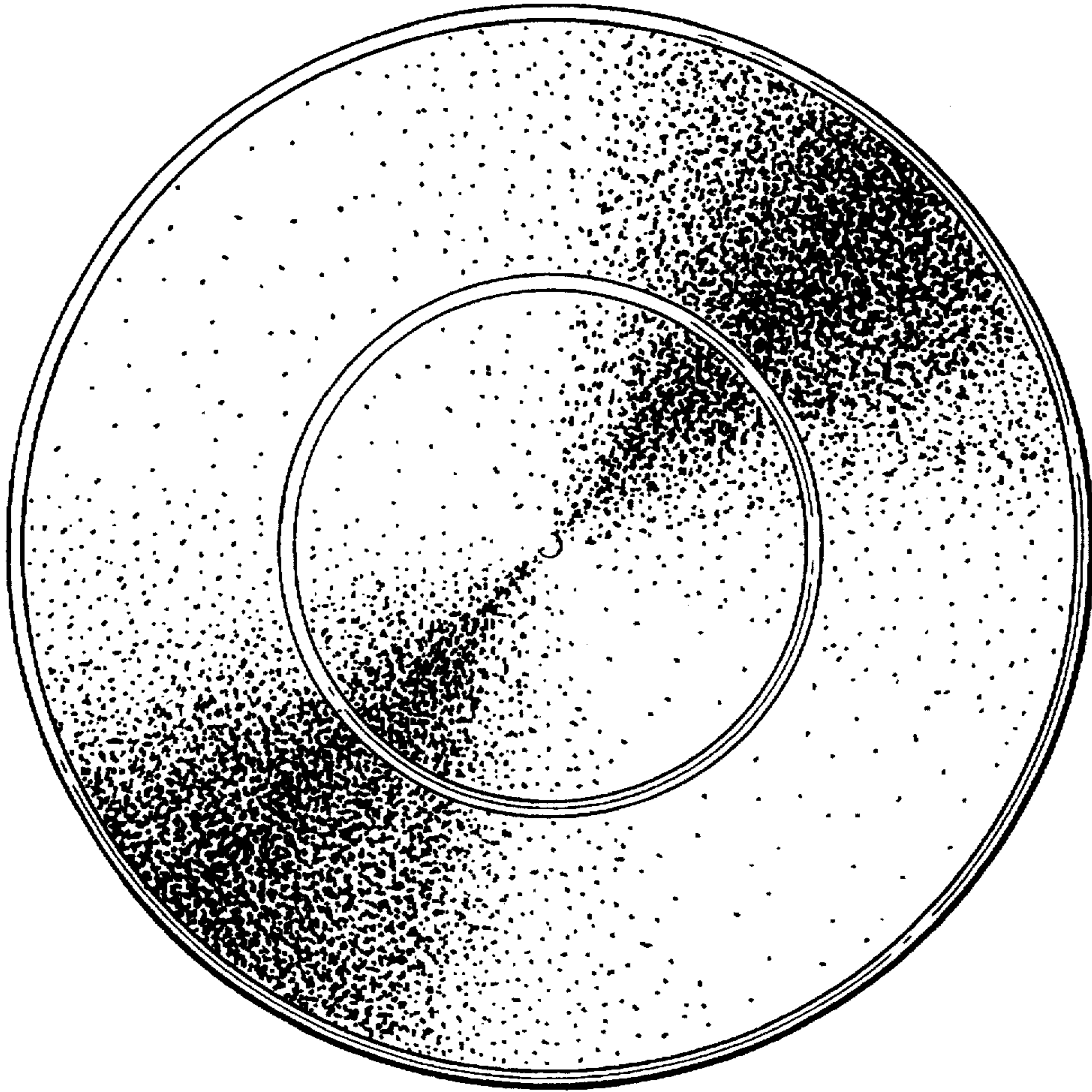
The broken lines are shown for illustrative purposes only  
and form no part of the claimed design.

**1 Claim, 3 Drawing Sheets**

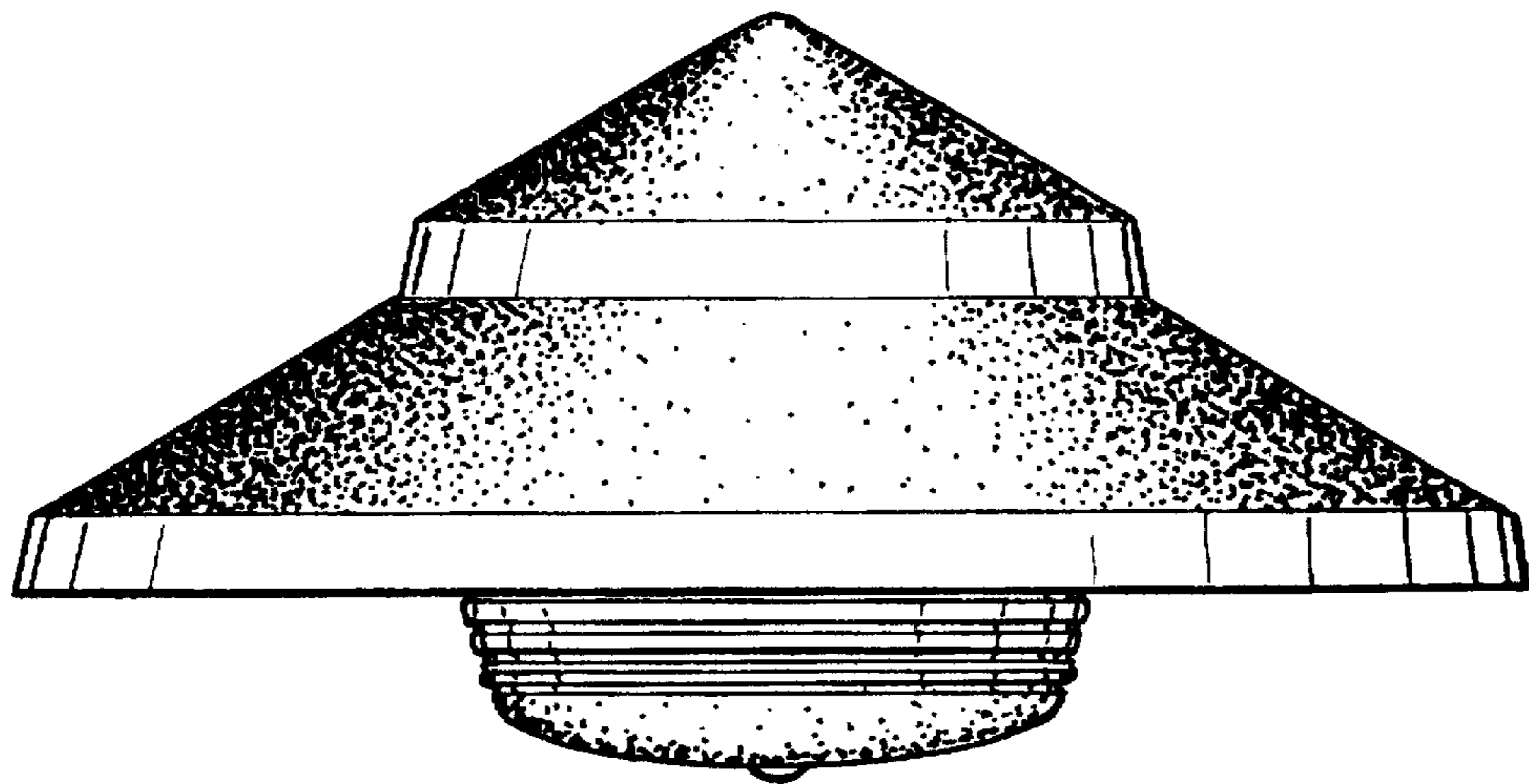




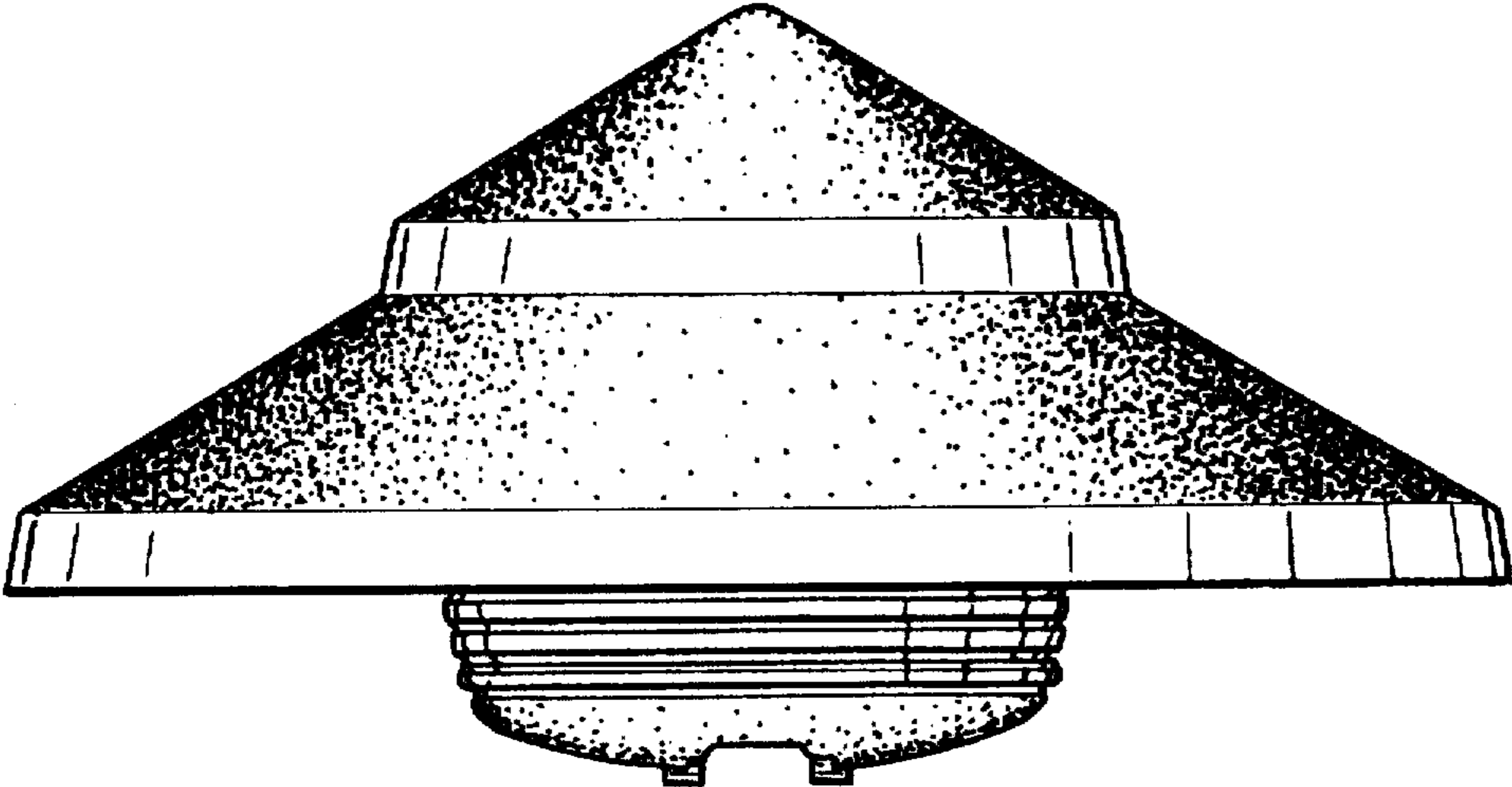
*FIG. 1*



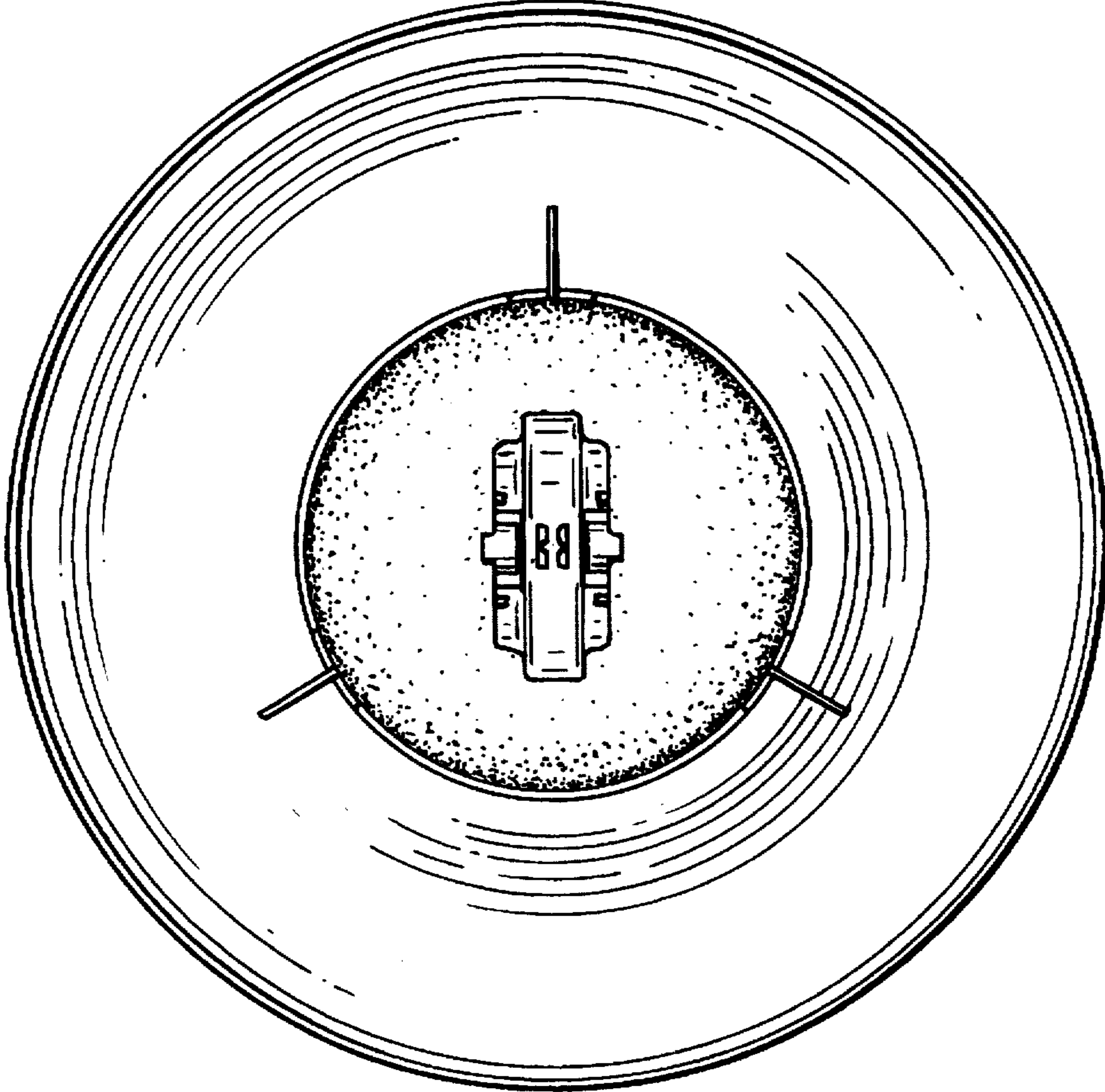
*FIG. 3*



*FIG. 2*



*FIG. 4*



*FIG. 5*