



US00D389931S

# United States Patent [19]

Kovacik et al.

[11] Patent Number: **Des. 389,931**

[45] Date of Patent: **\*\*Jan. 27, 1998**

[54] **UTILITY LIGHT**

[75] Inventors: **James D. Kovacik**, Brecksville; **Paul S. Blanch**, Broadview Heights; **Stanley E. Grzywna**, Elyria, all of Ohio

[73] Assignee: **Alert Safety Lite Products Co., Inc.**, Bedford Heights, Ohio

[\*\*] Term: **14 Years**

[21] Appl. No.: **67,136**

[22] Filed: **Feb. 26, 1997**

[51] LOC (6) CL ..... **26-02**

[52] U.S. Cl. .... **D26/37**

[58] Field of Search ..... D26/37-50; D10/114; 362/157, 158, 183-208, 404, 407, 376, 377, 378

[56] **References Cited**

**U.S. PATENT DOCUMENTS**

D. 235,573	6/1975	Brych .....	D26/37
D. 271,057	10/1983	Tirpik .....	D26/37
D. 312,316	11/1990	Molony et al. ....	D26/37
D. 320,463	10/1991	Petterson et al. ....	D26/37
D. 331,634	12/1992	Browne .....	D26/37

D. 344,150	2/1994	Umhauser .....	D26/37
D. 367,542	2/1996	Kovacik et al. .	
4,019,047	4/1977	Frey .	
4,262,327	4/1981	Kovacik et al. .	
4,774,647	9/1988	Kovacik et al. .	
4,958,267	9/1990	Baake .	
5,243,505	9/1993	Carr .	
5,245,518	9/1993	Aspenwall .	
5,528,477	6/1996	Carmo .	

*Primary Examiner*—Marcus A. Jackson  
*Attorney, Agent, or Firm*—MacMillan, Sobanski & Todd

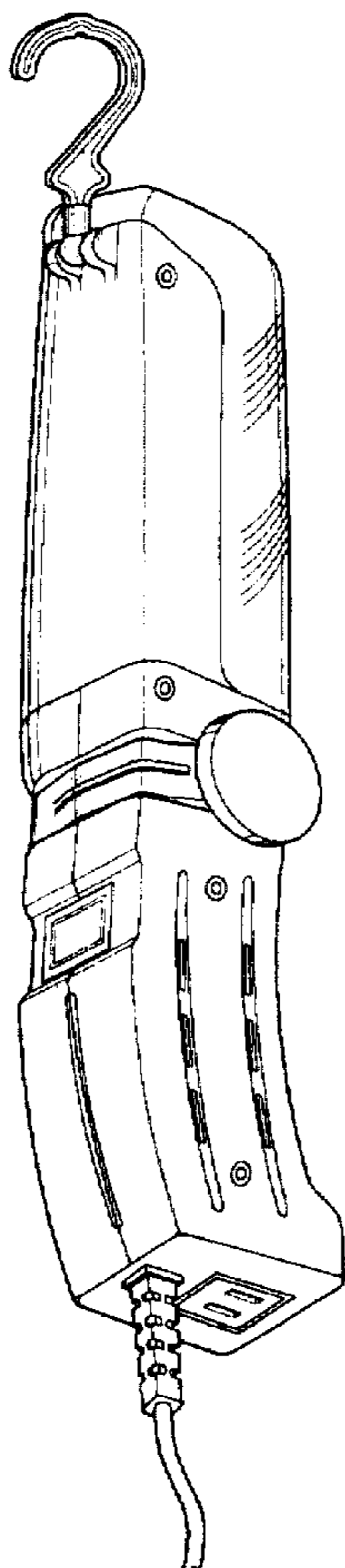
[57] **CLAIM**

The ornamental design for a utility light, as shown and described.

**DESCRIPTION**

FIG. 1 is a perspective view of the utility light of the present invention;  
FIG. 2 is a front elevational view thereof;  
FIG. 3 is a rear elevational view thereof;  
FIG. 4 is a top plan view thereof;  
FIG. 5 is a bottom plan view thereof;  
FIG. 6 is a right side elevational view thereof; and,  
FIG. 7 is a left side elevational view thereof.

**1 Claim, 3 Drawing Sheets**



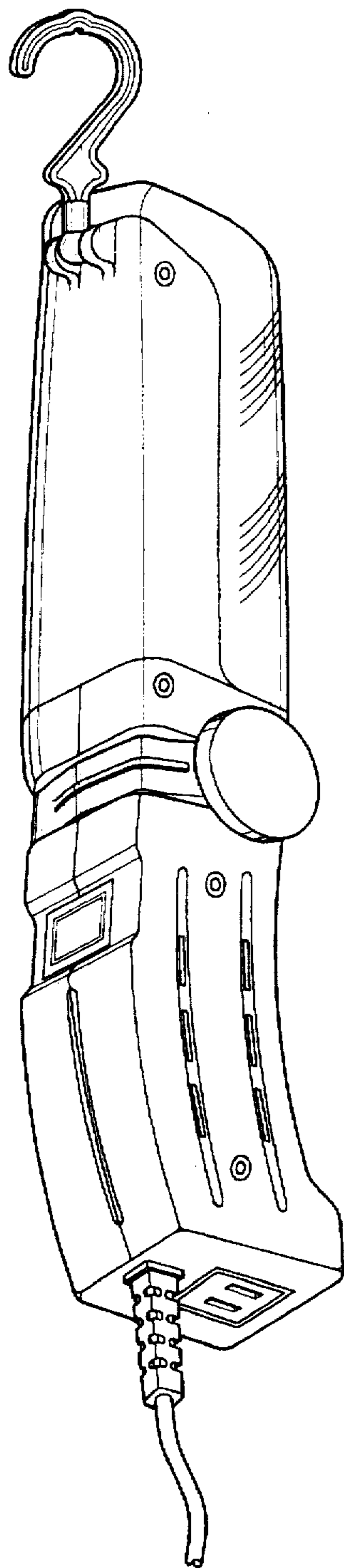


Fig-1

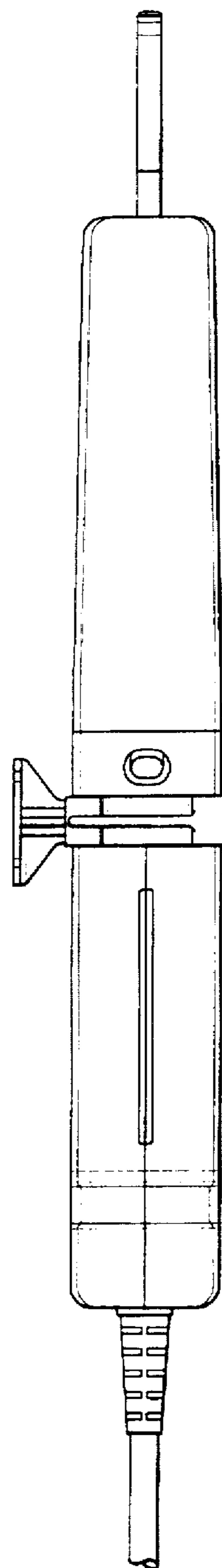


Fig-2

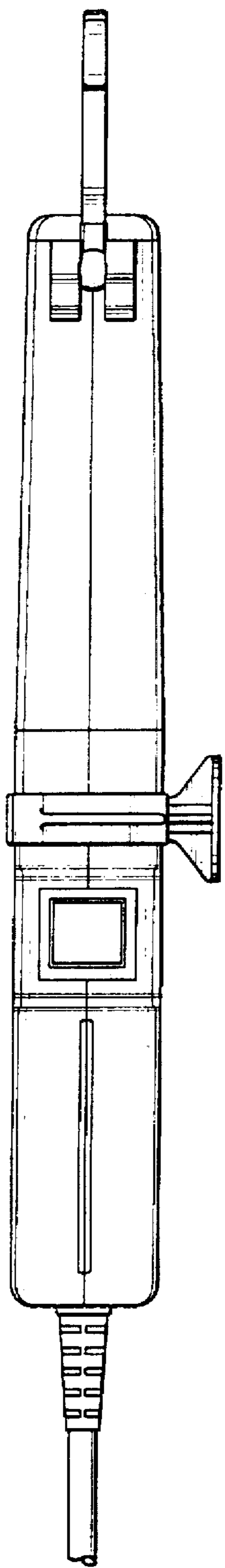


Fig-3

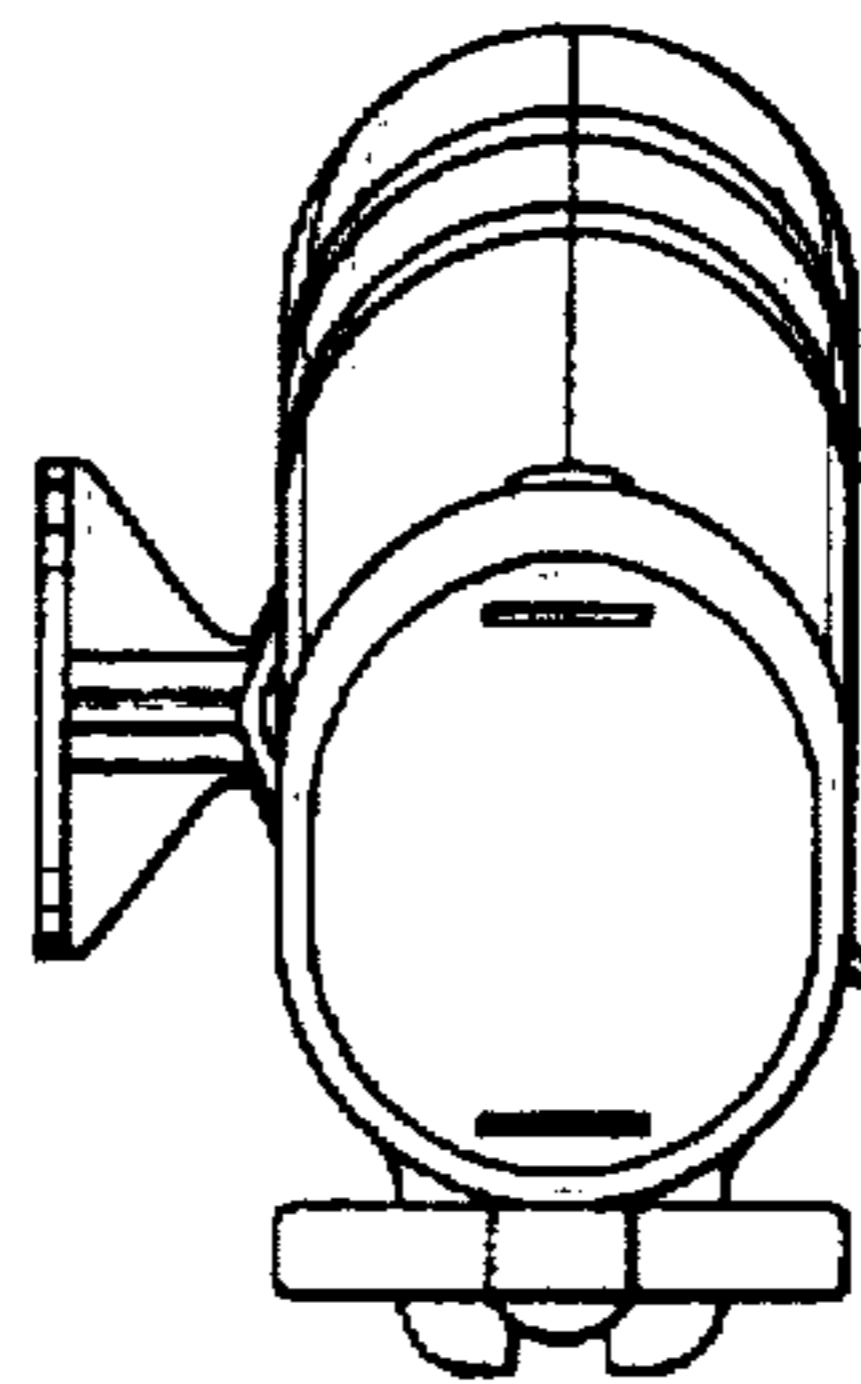


Fig-4

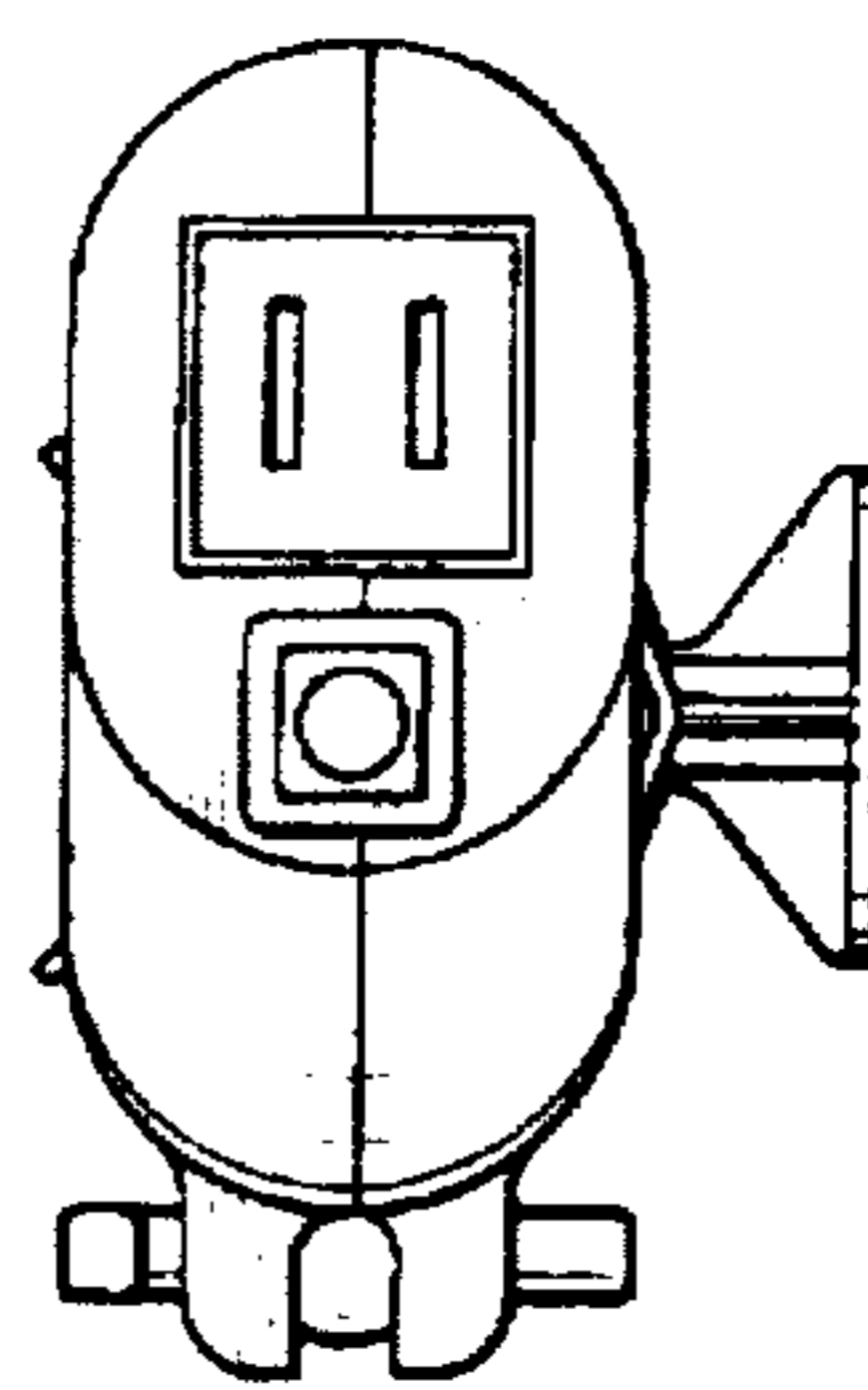


Fig-5

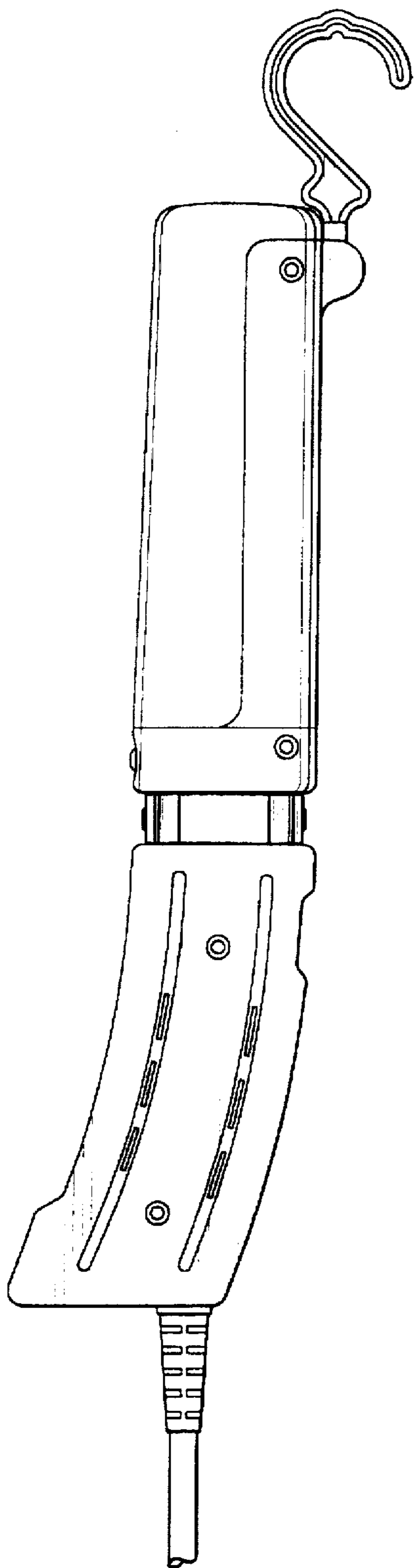


Fig-6

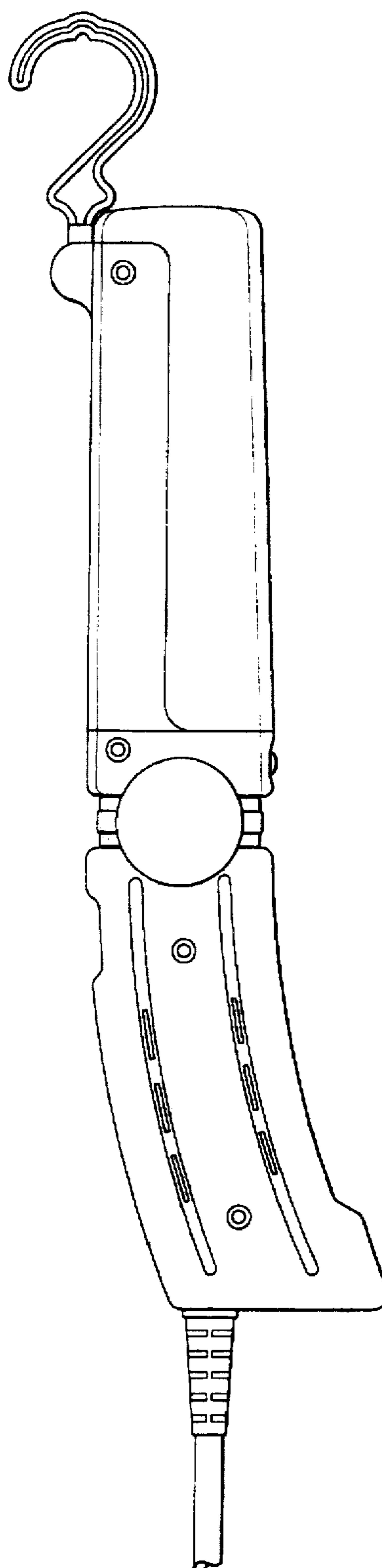


Fig-7