



US00D389930S

United States Patent [19]
Lo

[11] **Patent Number: Des. 389,930**

[45] **Date of Patent: **Jan. 27, 1998**

[54] **LANTERN**

D. 234,311 2/1975 Oakley D26/41
D. 282,211 1/1986 Tang D26/41
D. 344,348 2/1994 Lo D26/41

[75] **Inventor: Ying-Hoi Lo, Tsuen Wan, Hong Kong**

[73] **Assignee: Lomak Industrial Co., Ltd., Hong Kong, Hong Kong**

Primary Examiner—Marcus A. Jackson
Attorney, Agent, or Firm—Burns, Doane, Swecker & Mathis

[**] **Term: 14 Years**

[57] **CLAIM**

[21] **Appl. No.: 59,562**

The ornamental design for a lantern, as shown and described.

[22] **Filed: Sep. 13, 1996**

DESCRIPTION

[51] **LOC (6) Cl. 26-02**

[52] **U.S. Cl. D26/37**

[58] **Field of Search D26/37-50; 362/157, 362/158, 183-202**

FIG. 1 is a front view of a "lantern" showing my design; the rear view corresponds;
FIG. 2 is a left side view thereof, and right side view corresponds;
FIG. 3 is a top plan view thereof, with the handle removed for clarity of illustration; and,
FIG. 4 is a bottom plan view thereof.

[56] **References Cited**

U.S. PATENT DOCUMENTS

D. 132,777 6/1942 Freemark D26/41
D. 190,674 6/1961 Hoenisch D26/41

1 Claim, 4 Drawing Sheets

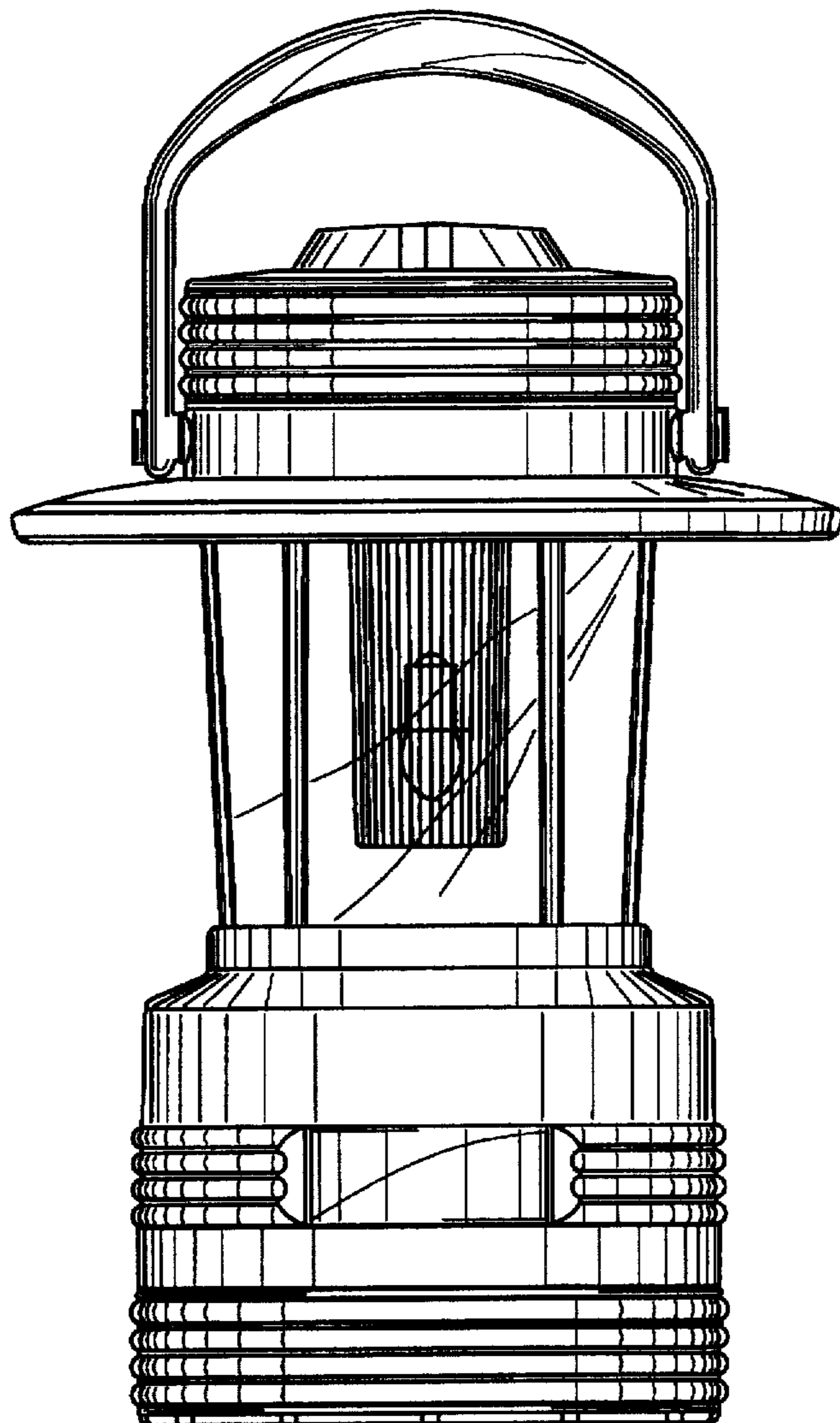


FIG. 1

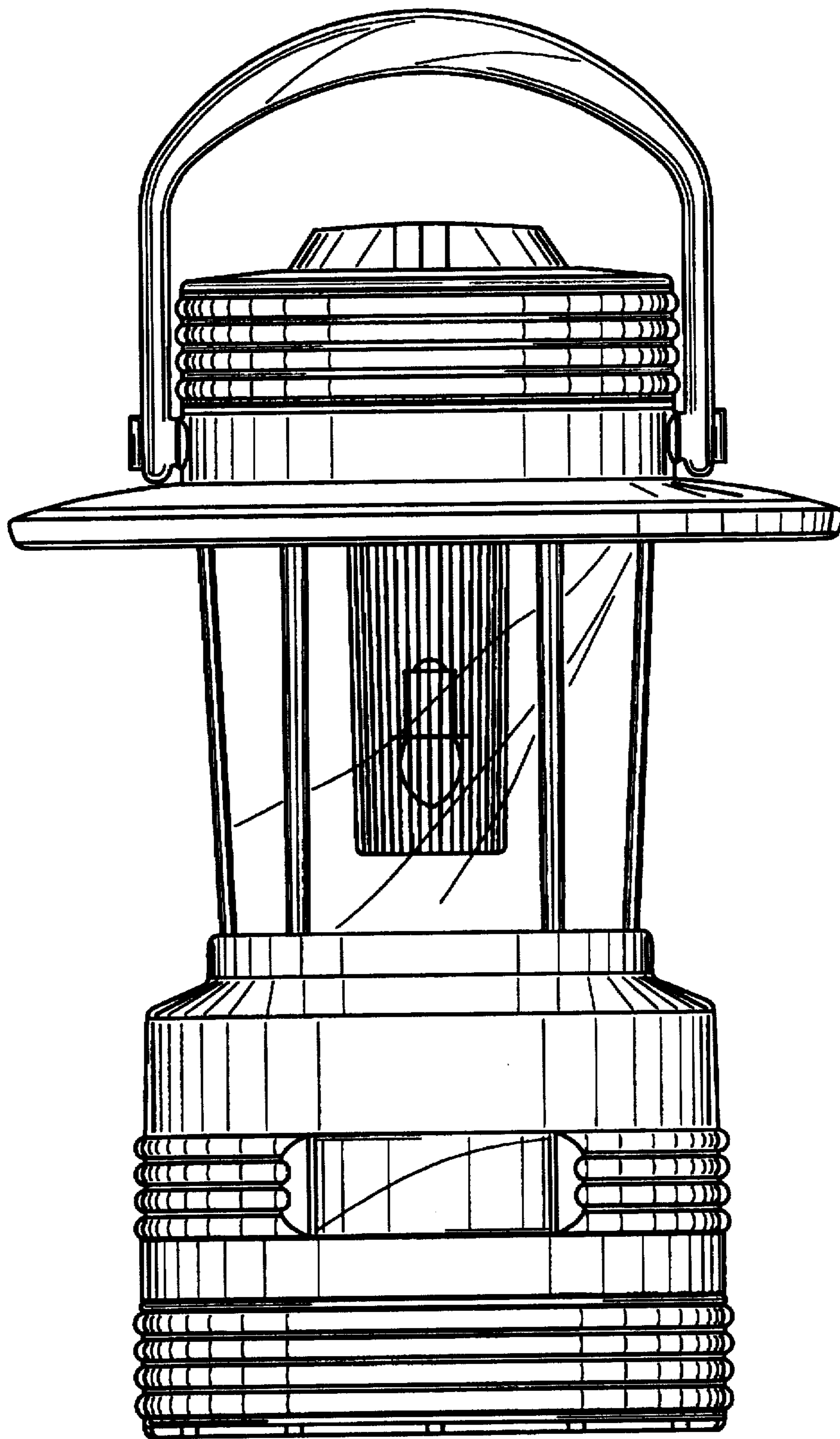


FIG. 2

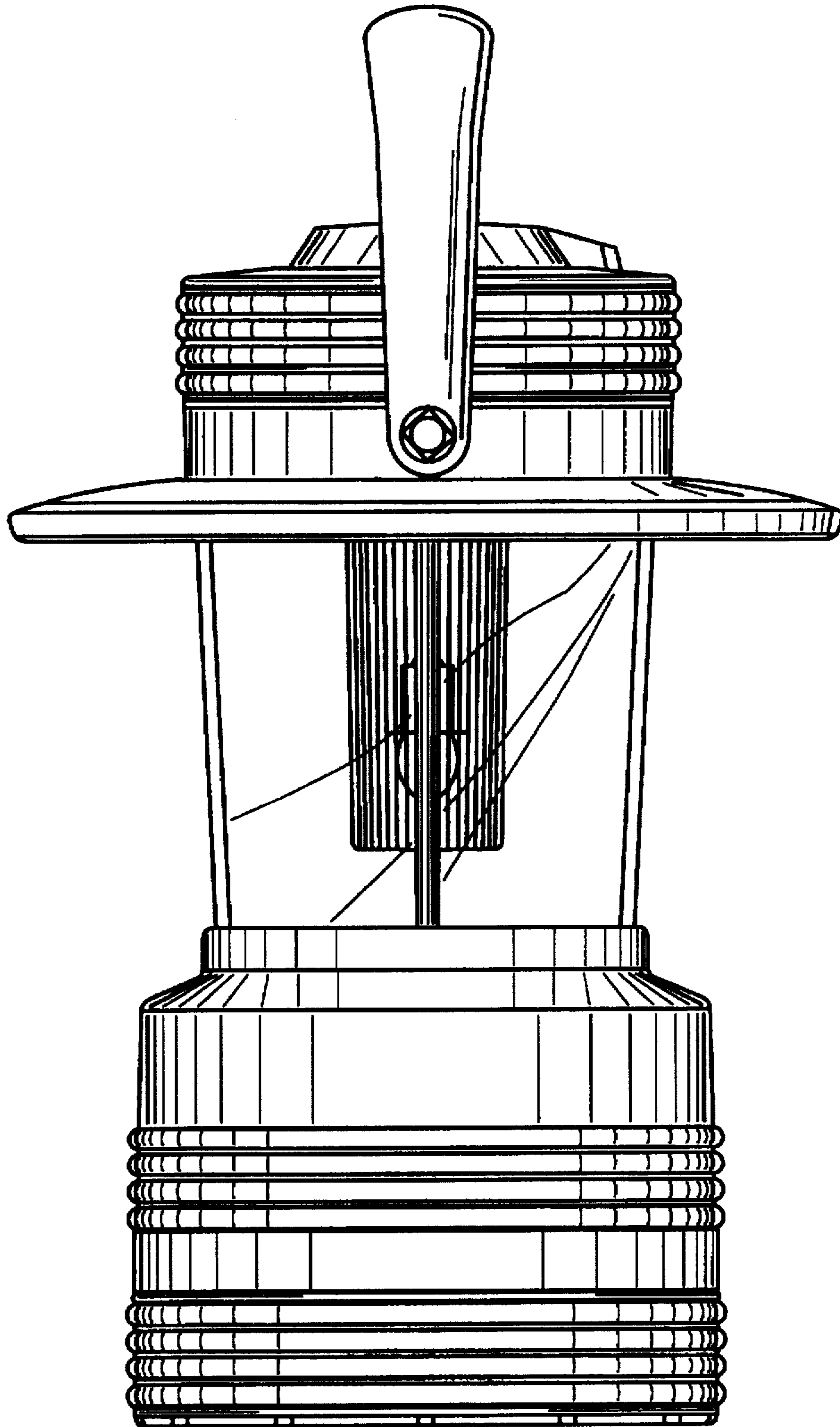


FIG. 3

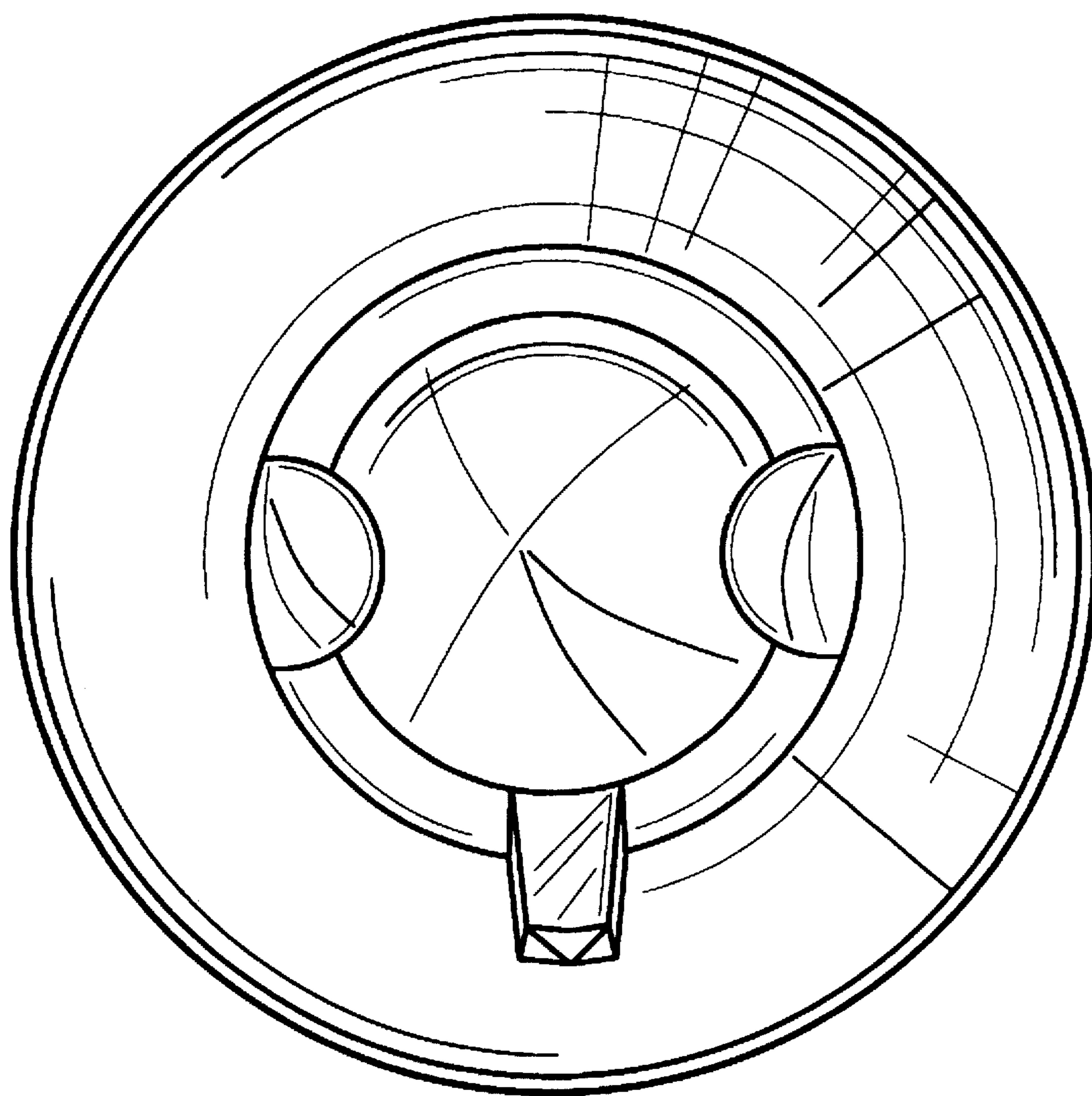


FIG. 4

