

US00D389929S

**United States Patent** [19]  
**Liu**

[11] **Patent Number: Des. 389,929**

[45] **Date of Patent: \*\*Jan. 27, 1998**

[54] **AUXILIARY AUTOMOBILE BRAKE LIGHT**

D. 316,230 4/1991 Munog ..... D10/114  
D. 336,263 6/1993 Basil ..... D10/114

[76] **Inventor: Jung-Kun Liu, 5th Floor, 13 Lane 36,  
Industrial Zone 1st Road, Hsitun,  
Taichung City, Taiwan**

*Primary Examiner*—Marcus A. Jackson  
*Attorney, Agent, or Firm*—Bucknam and Archer

[\*\*] **Term: 14 Years**

[57] **CLAIM**

[21] **Appl. No.: 64,950**

The ornamental design for an auxiliary automobile brake light, as shown and described.

[22] **Filed: Jan. 15, 1997**

**DESCRIPTION**

[51] **LOC (6) Cl. .... 26-06**

[52] **U.S. Cl. .... D26/28; D10/114**

[58] **Field of Search ..... D10/114; D26/28-36;  
362/61, 80, 80.1, 82, 83, 83.3, 362, 269;  
340/468, 479, 470-475**

FIG. 1 is a front view of an auxiliary automobile brake light showing my new design;  
FIG. 2 is a rear view thereof;  
FIG. 3 is a left side view thereof;  
FIG. 4 is a right side view thereof;  
FIG. 5 is a top view thereof;  
FIG. 6 is a bottom view thereof; and,  
FIG. 7 is a perspective view thereof.

[56] **References Cited**

**U.S. PATENT DOCUMENTS**

D. 313,661 1/1991 Kang ..... D10/114

**1 Claim, 7 Drawing Sheets**

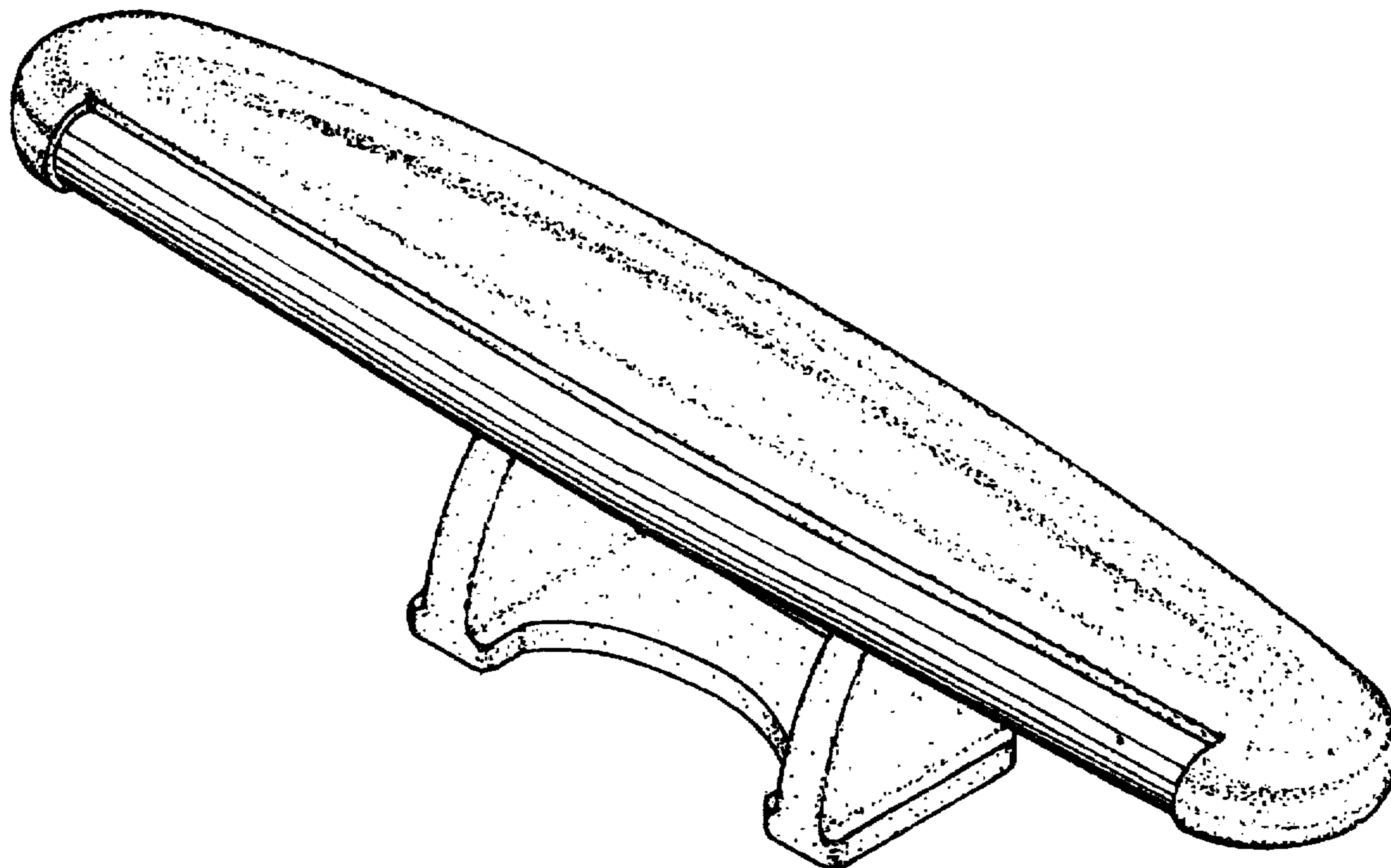




FIG. 1

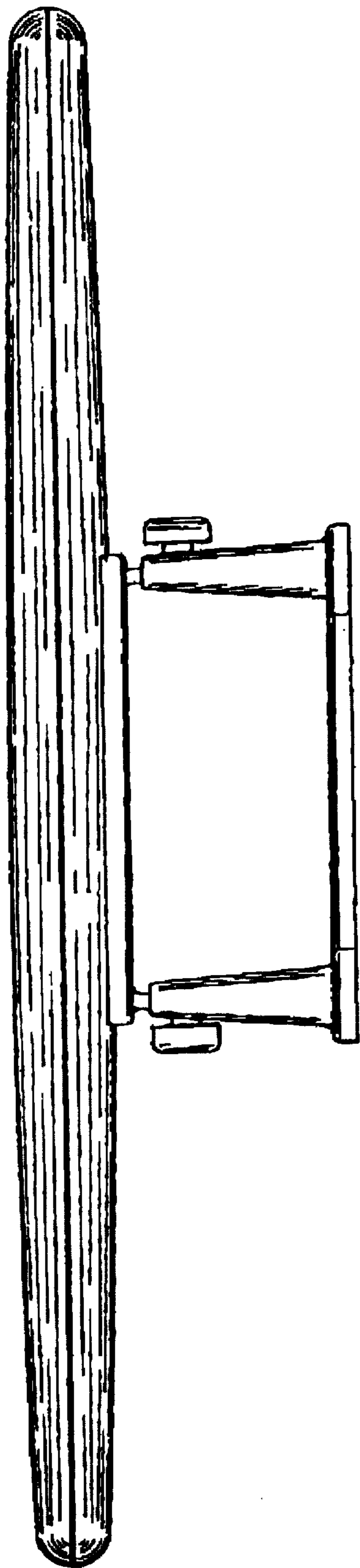


FIG.2

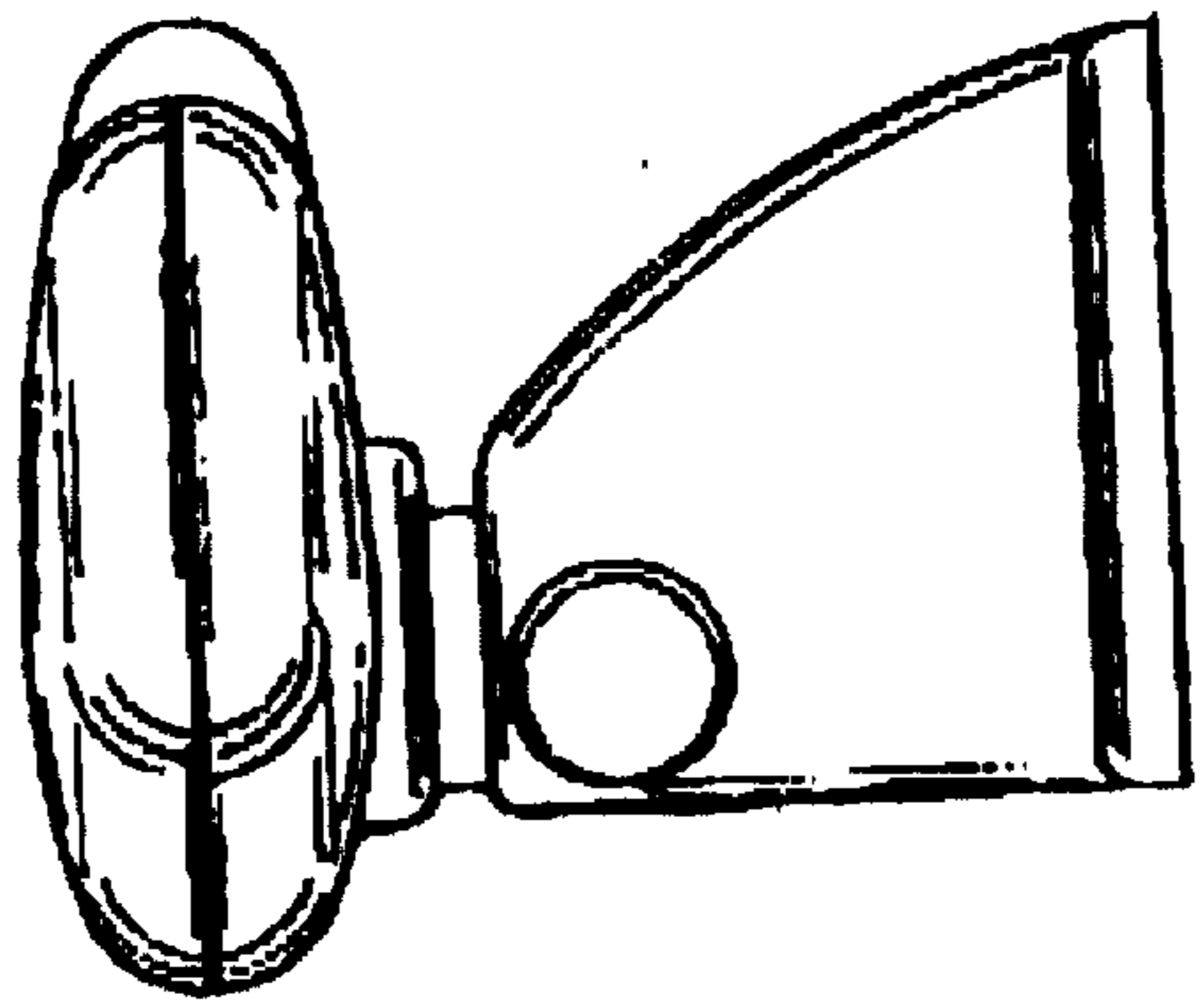


FIG.3

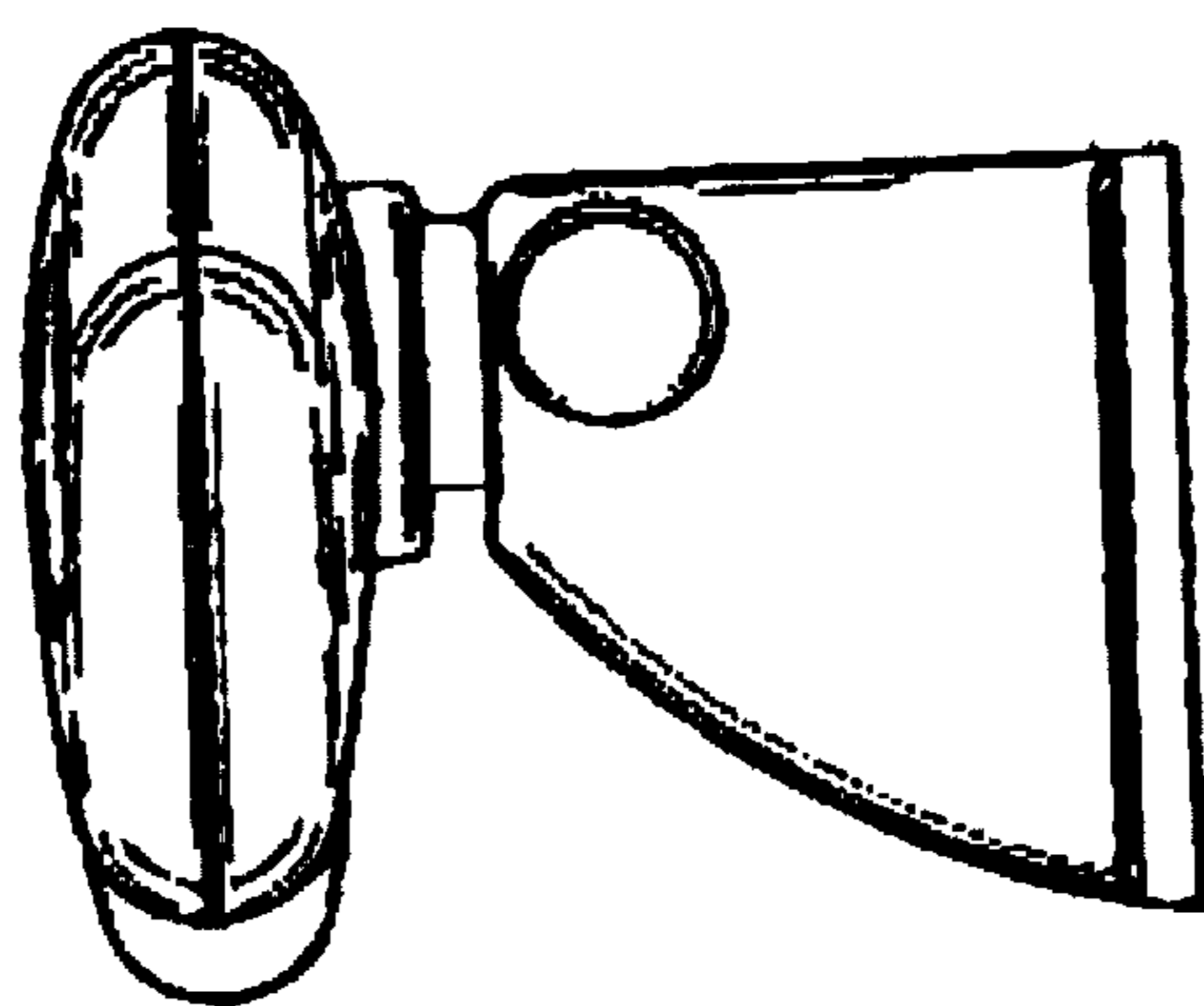


FIG. 4

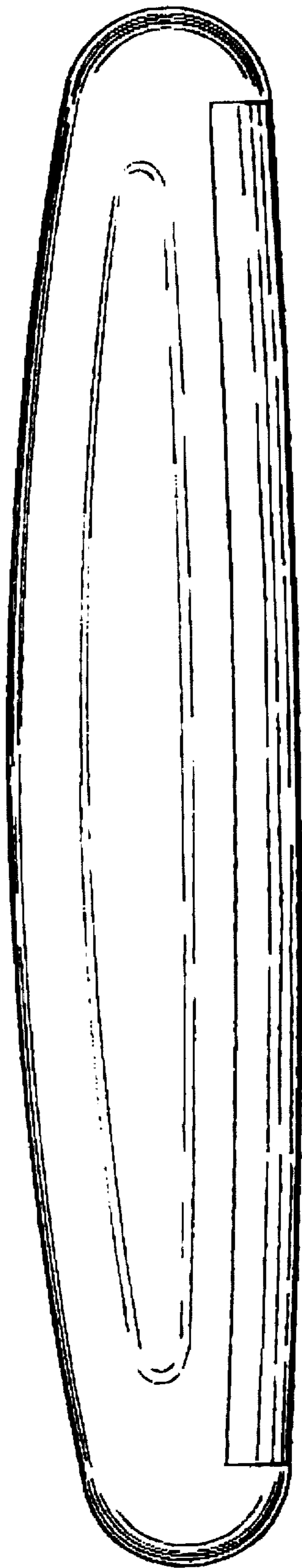


FIG. 5

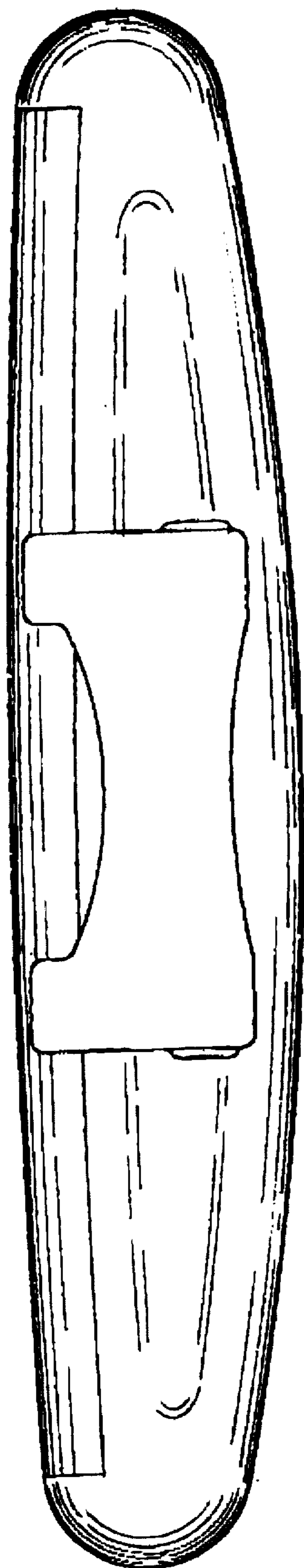


FIG.6

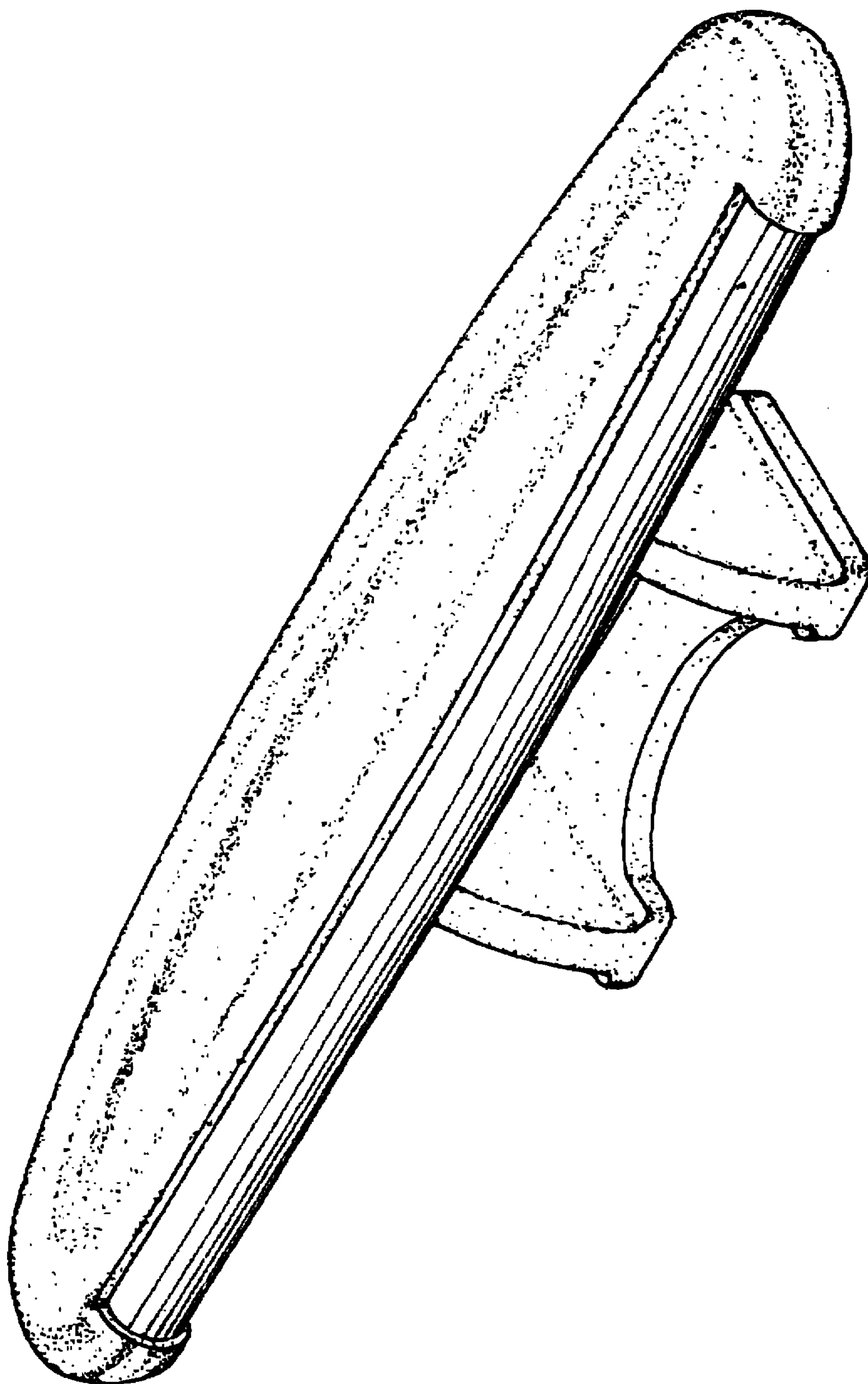


FIG. 7