

US00D389927S

**United States Patent** [19]  
**Daoust**

[11] **Patent Number: Des. 389,927**

[45] **Date of Patent: \*\*Jan. 27, 1998**

[54] **WINDOW FRAME MEMBER**

D. 375,175 10/1996 DiGiorgio ..... D25/124

[75] **Inventor: Marcel Daoust, Orangeville, Canada**

*Primary Examiner—Doris Clark*

[73] **Assignee: Performance Fabrication Systems  
International Inc., Woodbridge,  
Canada**

[57] **CLAIM**

[\*\*] **Term: 14 Years**

The ornamental design for a window frame member, as shown and described.

[21] **Appl. No.: 64,635**

**DESCRIPTION**

[22] **Filed: Jan. 7, 1997**

[51] **LOC (6) Cl. .... 25-01**

[52] **U.S. Cl. .... D25/124**

[58] **Field of Search ..... D25/52, 119-125;  
49/501, 504, DIG. 2; 52/474, 475, 476,  
204.5, 204.56, 204.51, 204.1, 730.3**

FIG. 1 is a perspective view of the window frame member; and,

FIG. 2 is an end view of the window frame member.

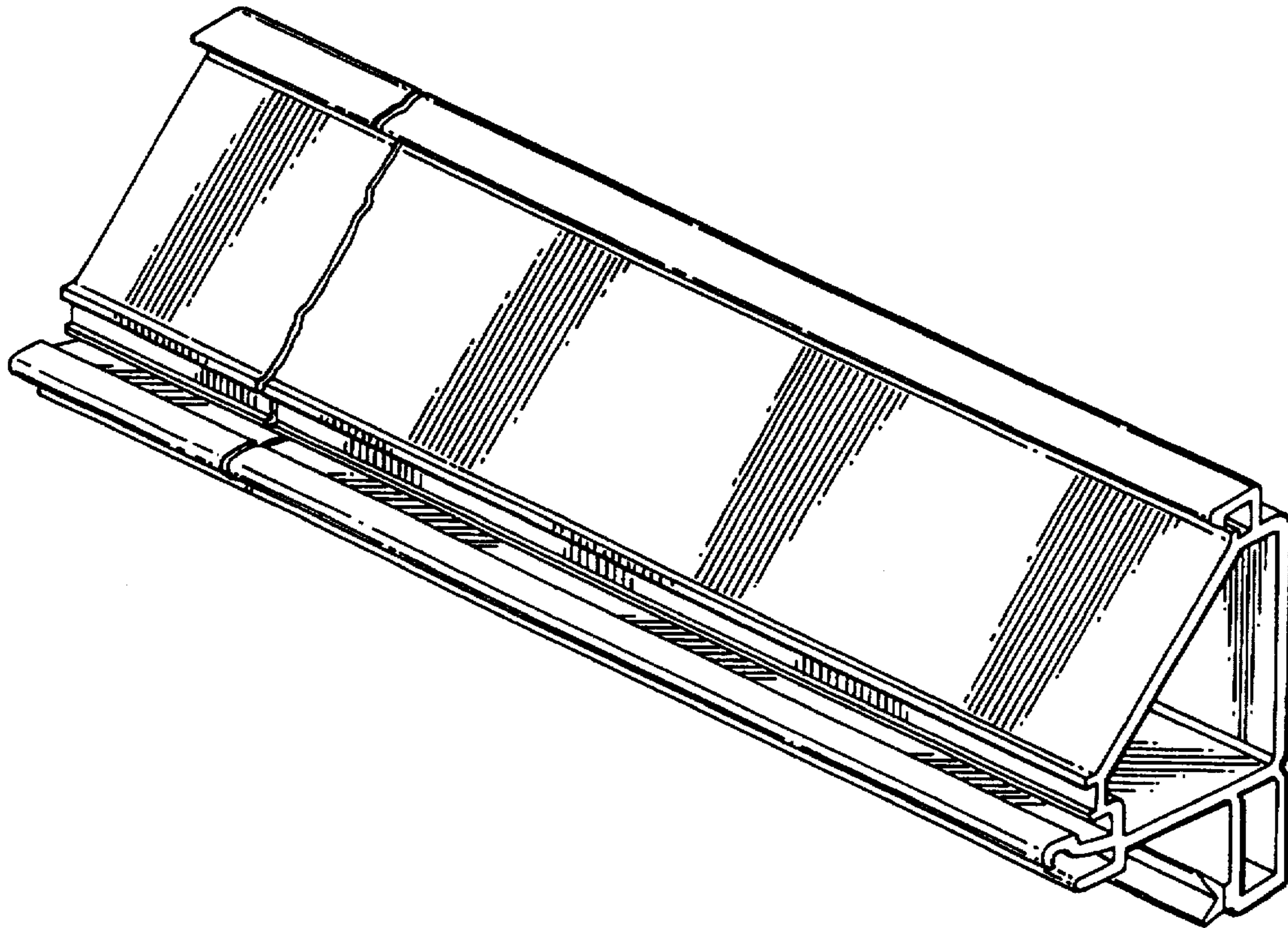
The window frame member is broken away near the end to indicate indeterminate length.

[56] **References Cited**

**U.S. PATENT DOCUMENTS**

D. 374,939 10/1996 DiGiorgio ..... D25/124

**1 Claim, 1 Drawing Sheet**



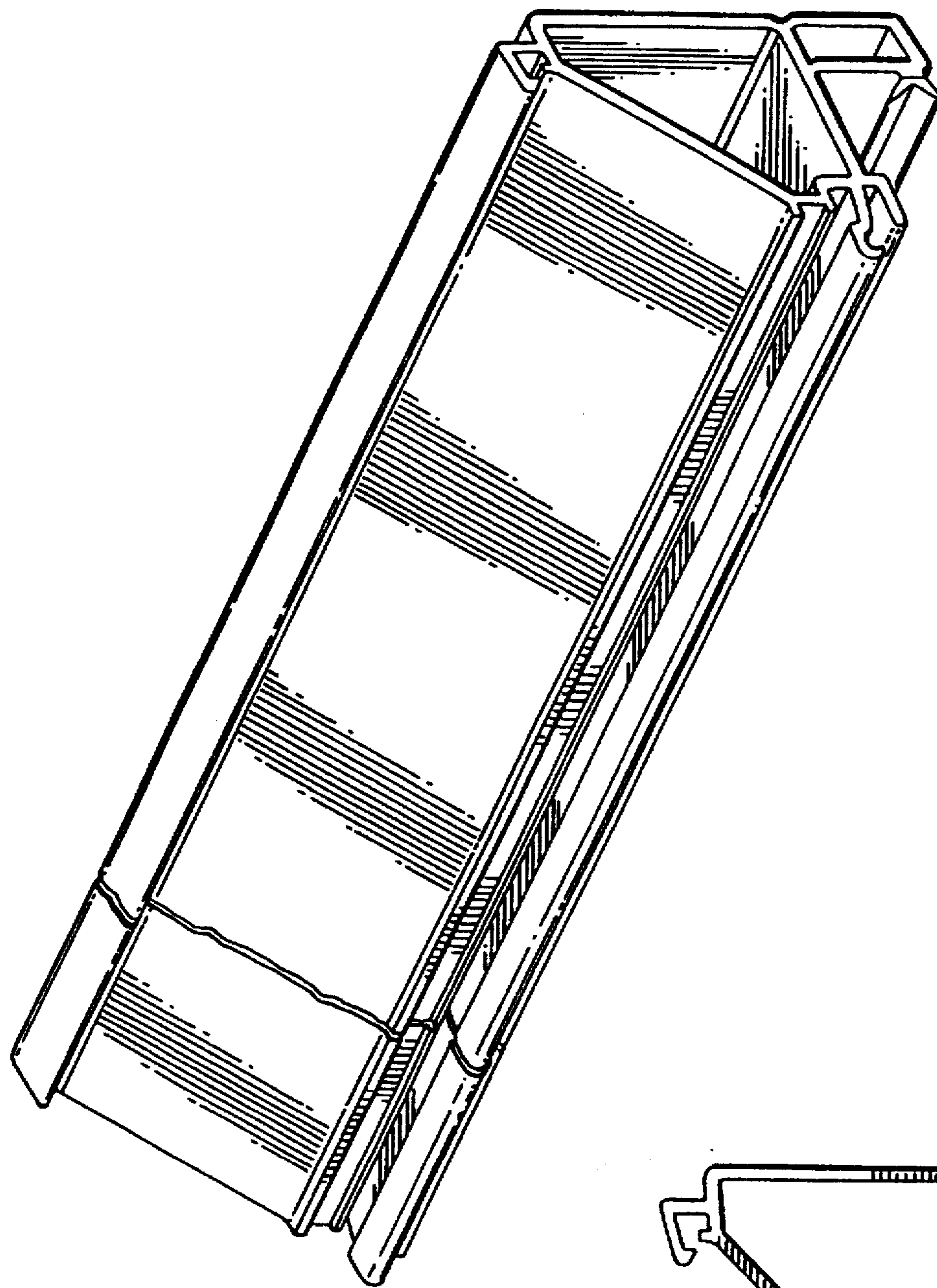


FIG. 1.

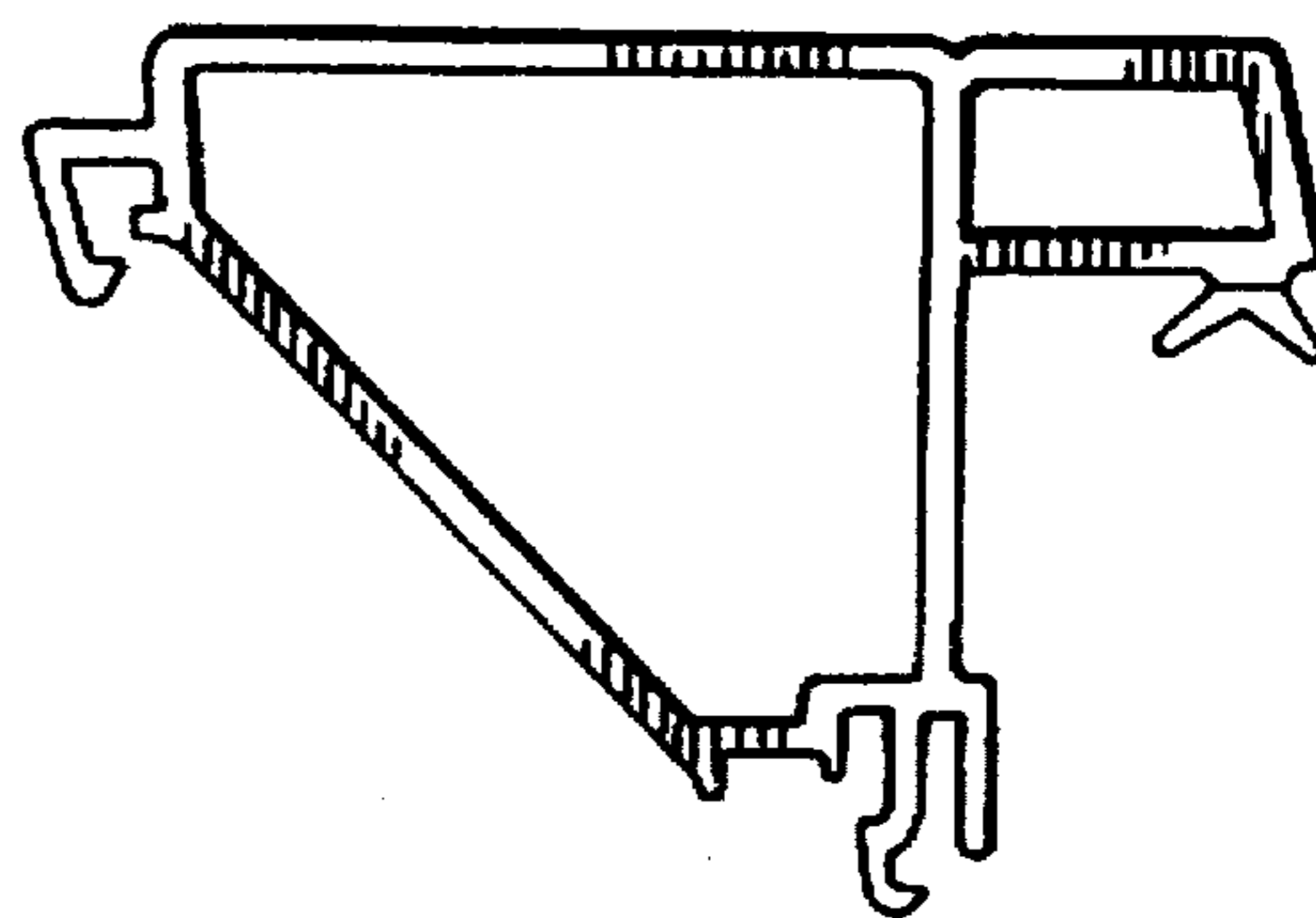


FIG. 2.