

US00D389917S

# United States Patent [19]

Hornback et al.

[11] Patent Number: Des. 389,917

[45] Date of Patent: \*\*Jan. 27, 1998

- [54] HOUSING FOR A SURGICAL TABLE SURFACE CONTROLLER
- [75] Inventors: David W. Hornback, Brookville; Michael E. Poehner; Michael W. Hamilton, both of West Harrison, all of Ind.
- [73] Assignee: Hill-Rom, Inc., Batesville, Ind.
- [\*\*] Term: 14 Years
- [21] Appl. No.: 57,870
- [22] Filed: Aug. 2, 1996
- [51] LOC (6) Cl. .... 24-01
- [52] U.S. Cl. .... D24/186; D24/185
- [58] Field of Search ..... D24/185, 186; 5/702, 713, 600, 689, 421, 423; 137/625.64, 625.22

Primary Examiner—Stella Reid  
Attorney, Agent, or Firm—Barnes & Thornburg

### [57] CLAIM

The ornamental design for a housing for a surgical table surface controller, as shown and described.

### DESCRIPTION

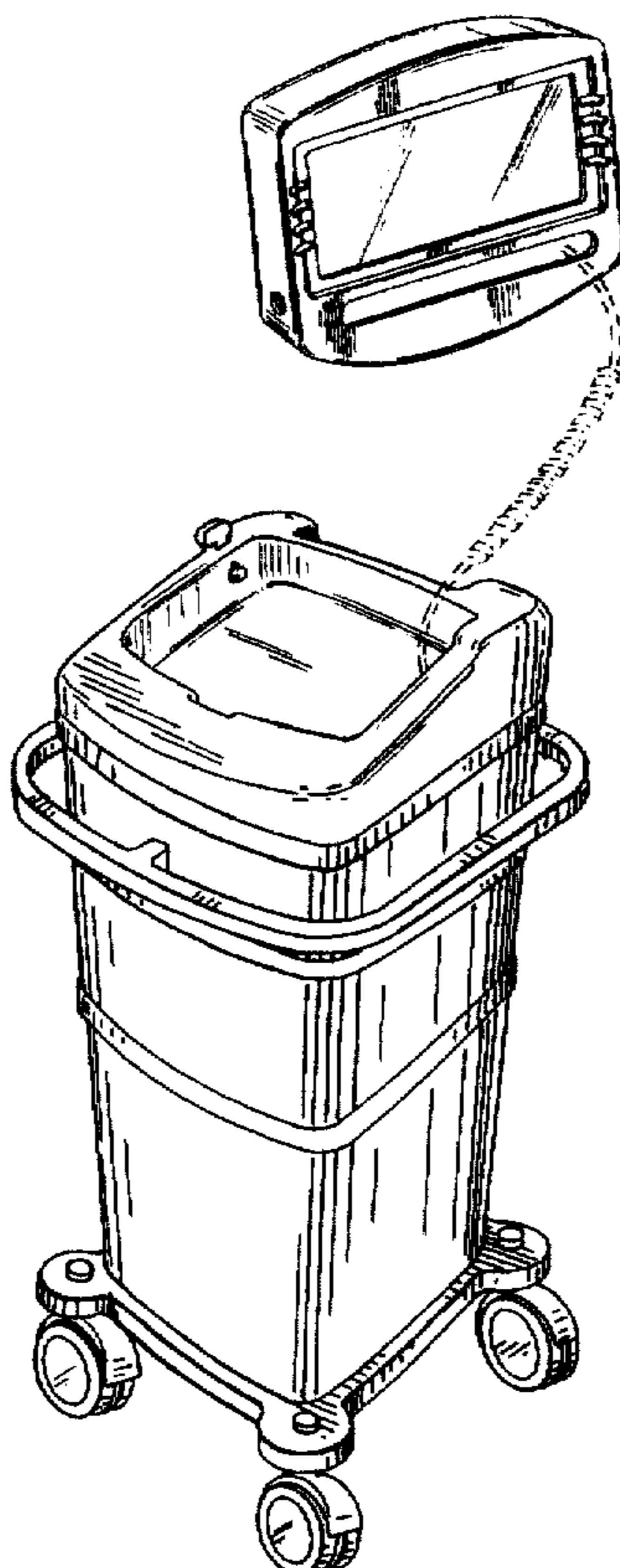
FIG. 1 is a perspective view of a housing for a surgical table surface controller showing our new design including a monitor screen in a downward closed position;  
 FIG. 2 is a front elevation view thereof;  
 FIG. 3 is a left side elevation view thereof, the right side elevation view being identical thereto;  
 FIG. 4 is a rear elevation view thereof;  
 FIG. 5 is a top plan view thereof;  
 FIG. 6 is a front elevation view thereof showing the monitor screen in an upward open position;  
 FIG. 7 is a left side elevation view thereof showing the monitor screen in the open position, the right side elevation view being identical thereto;  
 FIG. 8 is a rear elevation view thereof showing the monitor screen in the open position; and,  
 FIG. 9 is a perspective view thereof showing the monitor screen detached from a base of the housing.  
 The broken line showing of the cord in FIG. 9 is for illustrative purposes only and forms no part of the claimed design.

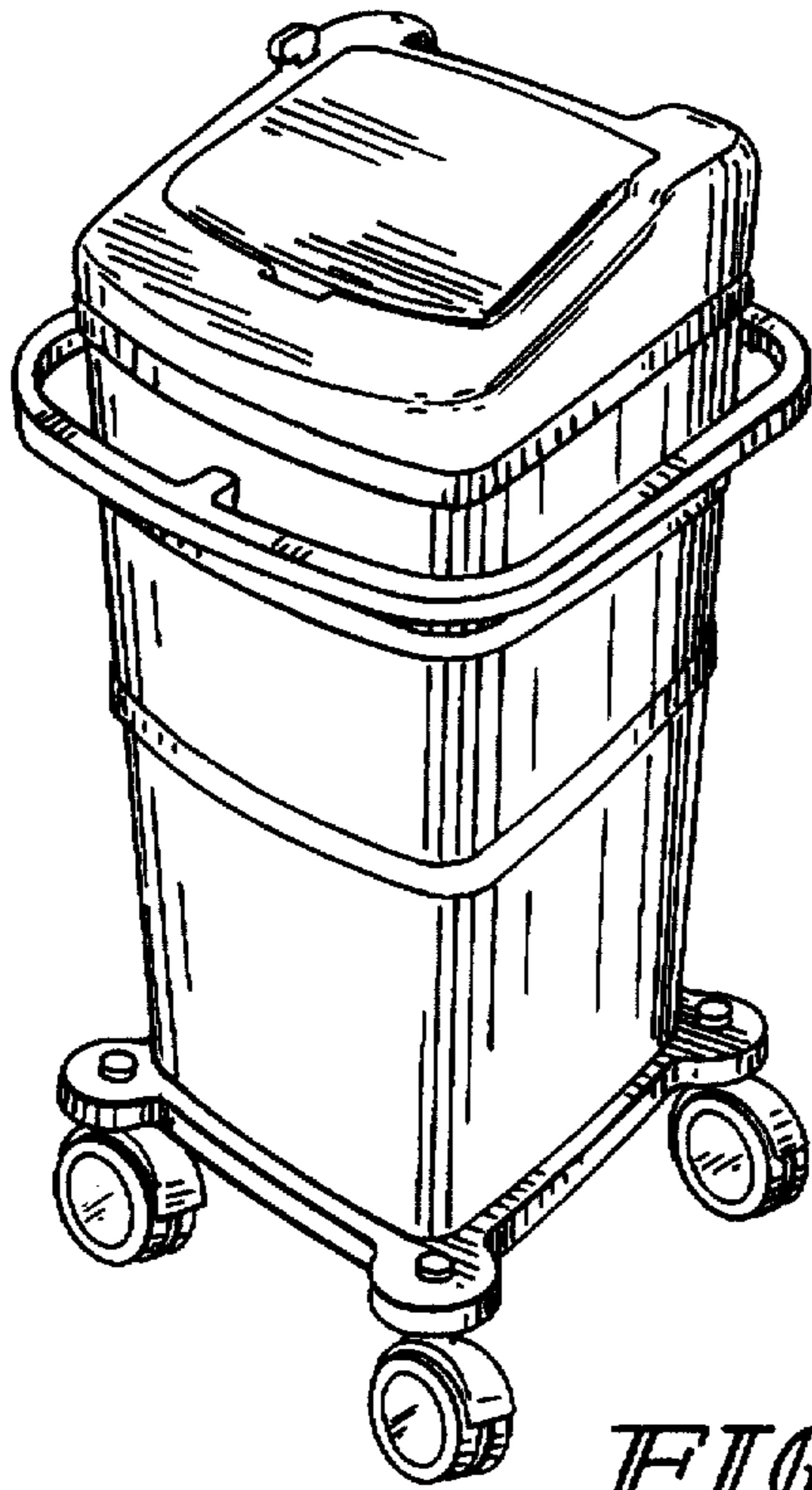
### [56] References Cited

#### U.S. PATENT DOCUMENTS

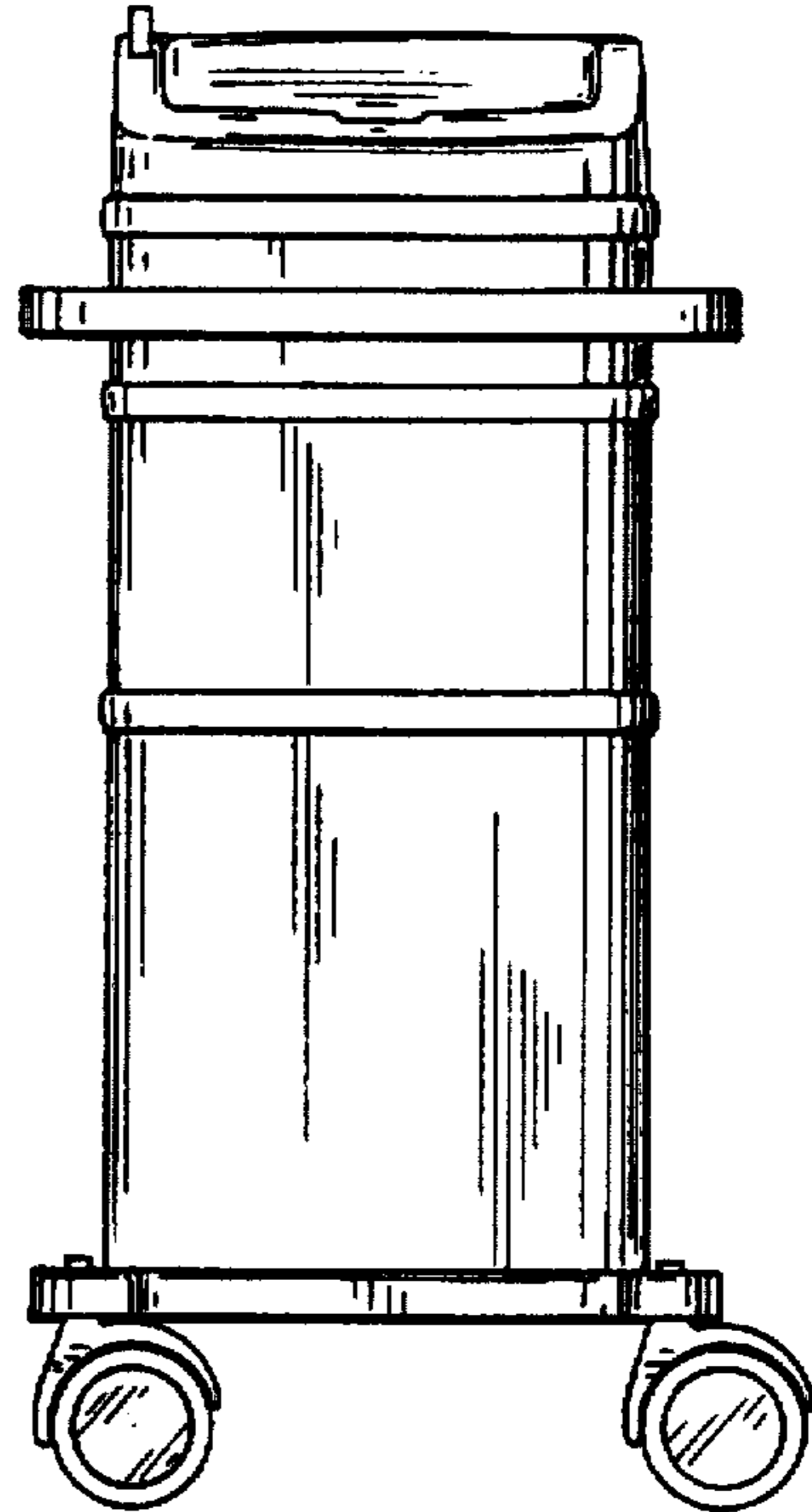
|            |         |                     |           |
|------------|---------|---------------------|-----------|
| D. 319,308 | 8/1991  | Royse et al. ....   | D24/185   |
| D. 332,855 | 1/1993  | Royse et al. ....   | D24/185 X |
| 5,051,673  | 9/1991  | Goodwin .           |           |
| 5,052,067  | 10/1991 | Thomas et al. .     |           |
| 5,269,030  | 12/1993 | Pahno et al. .      |           |
| 5,279,010  | 1/1994  | Ferrand et al. .... | 5/600     |
| 5,349,983  | 9/1994  | Ozarowski et al. .  |           |
| 5,402,542  | 4/1995  | Viard .             |           |

1 Claim, 3 Drawing Sheets

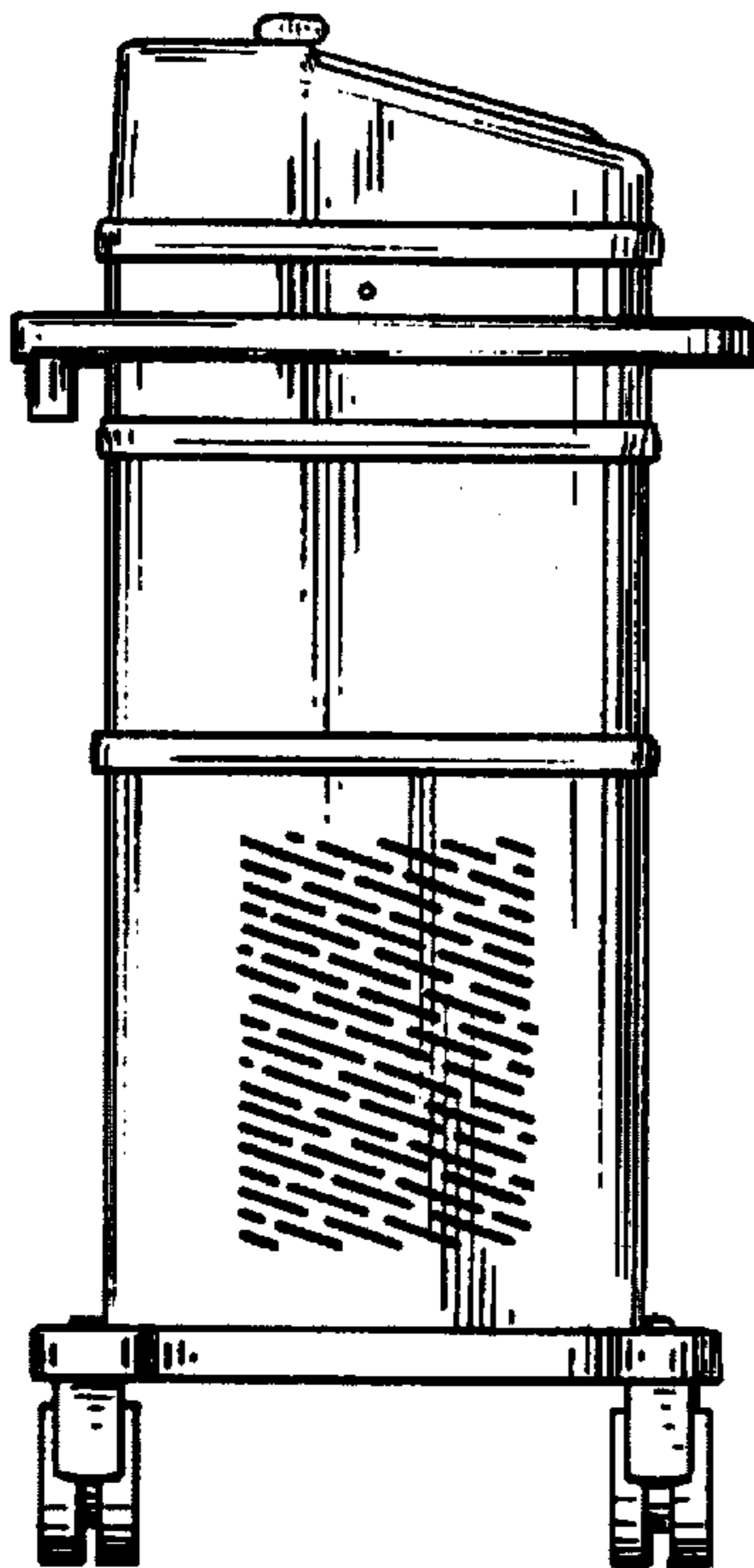




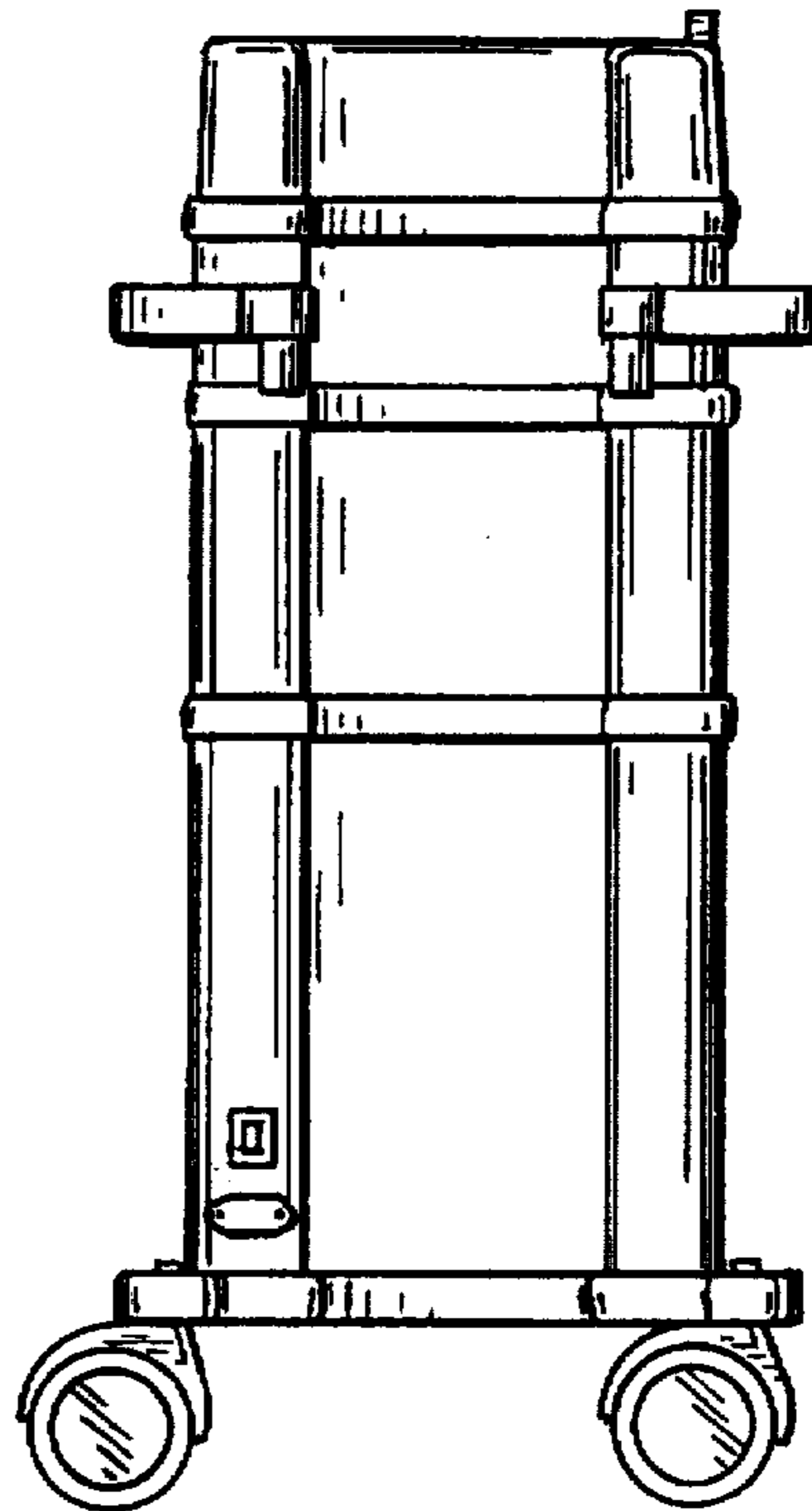
*FIG. 1*



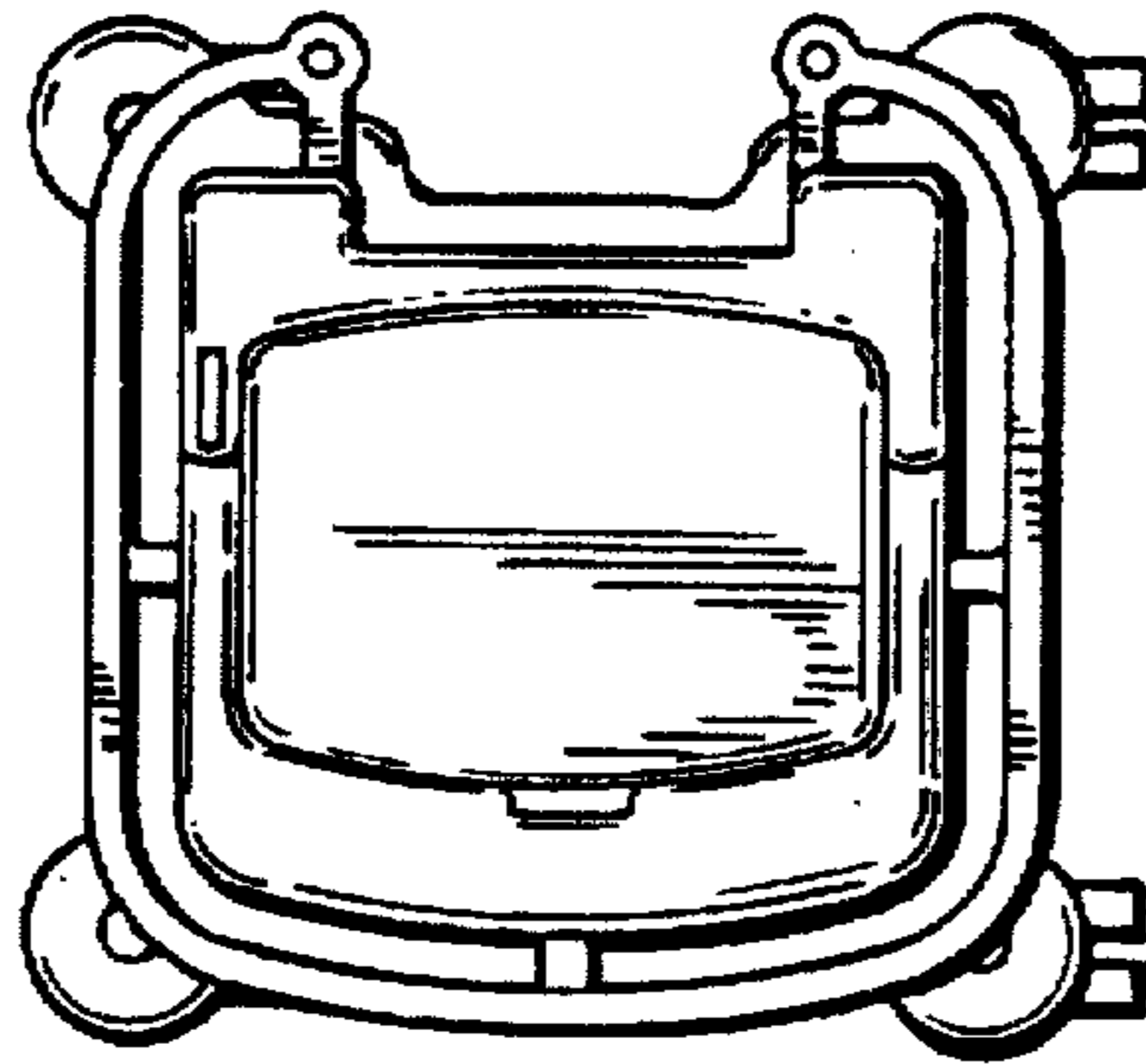
*FIG. 2*



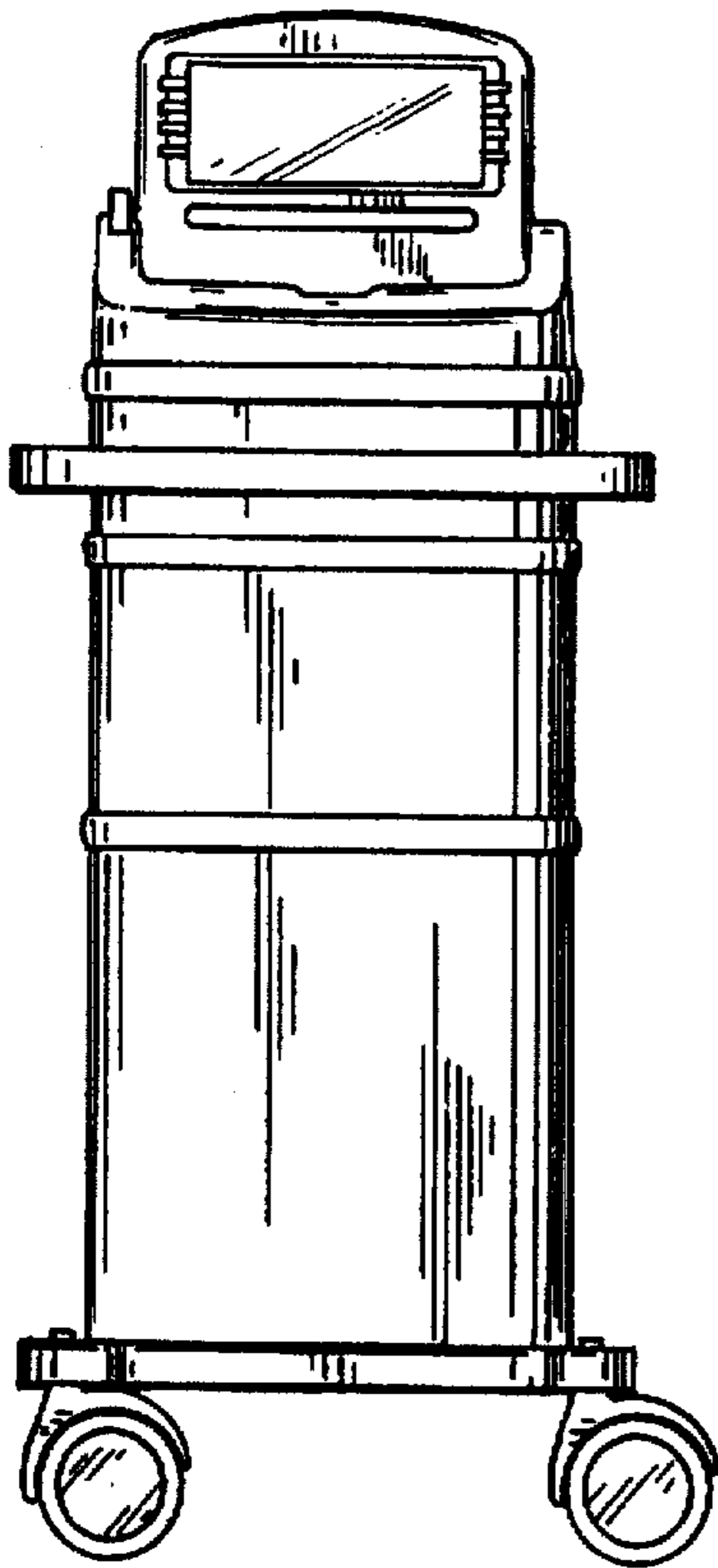
*FIG. 3*



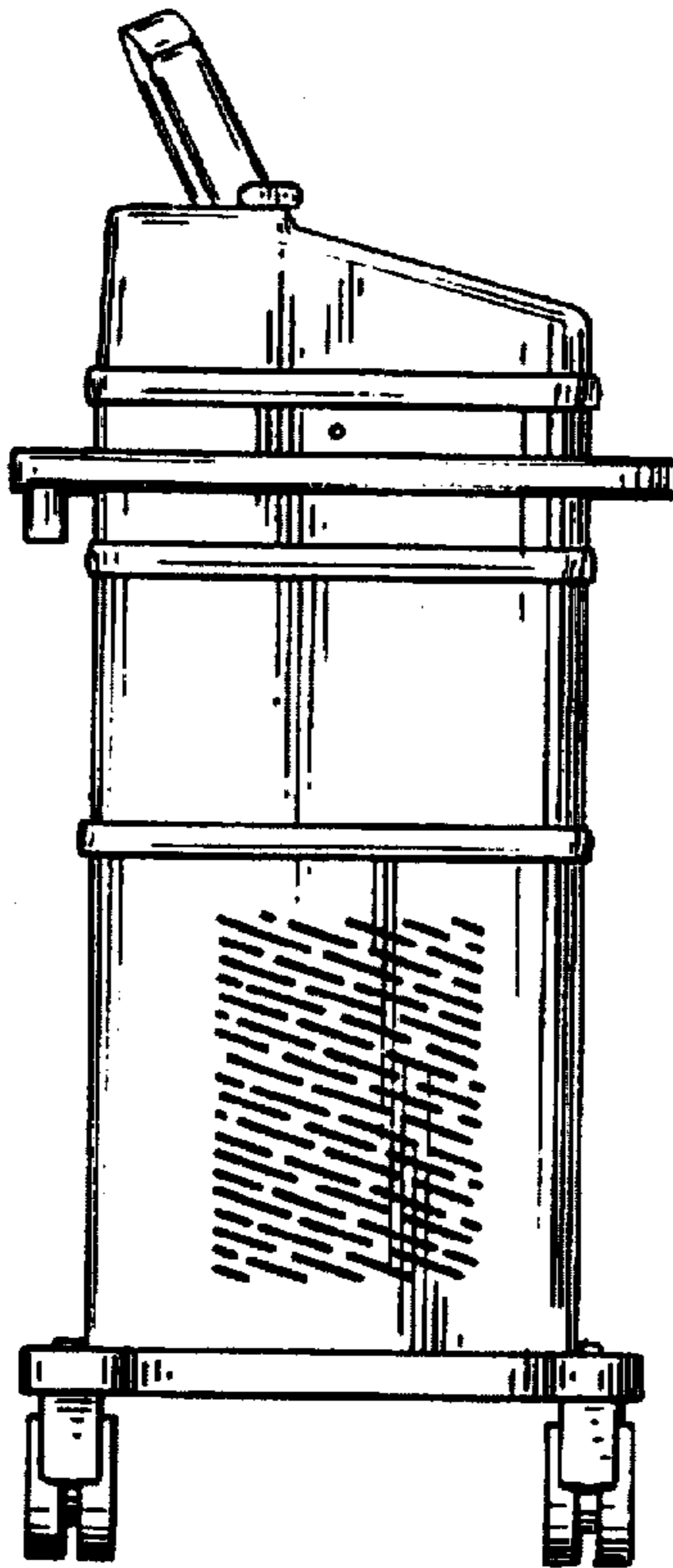
*FIG. 4*



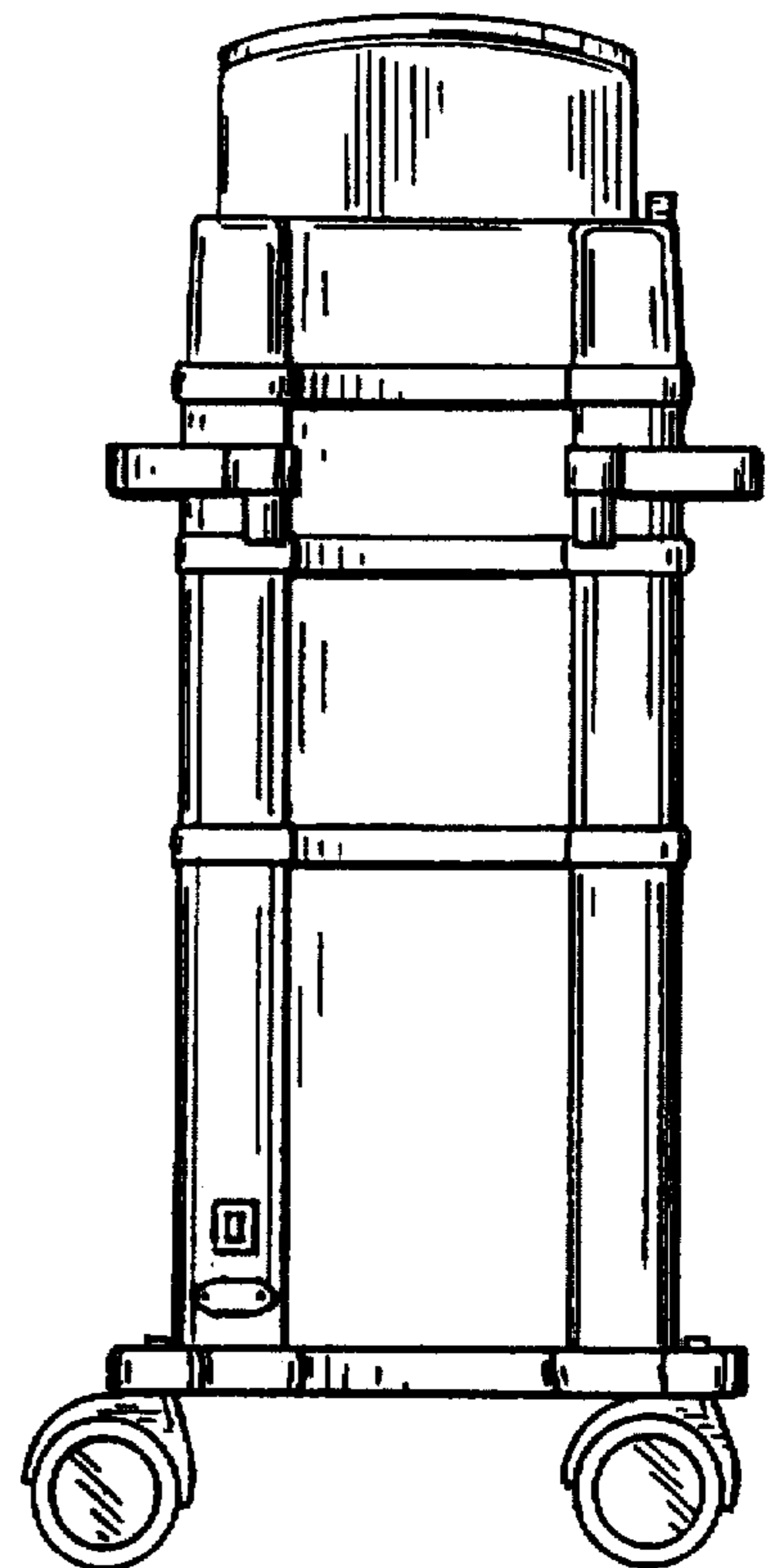
*FIG. 5*



*FIG. 6*



*FIG. 7*



*FIG. 8*



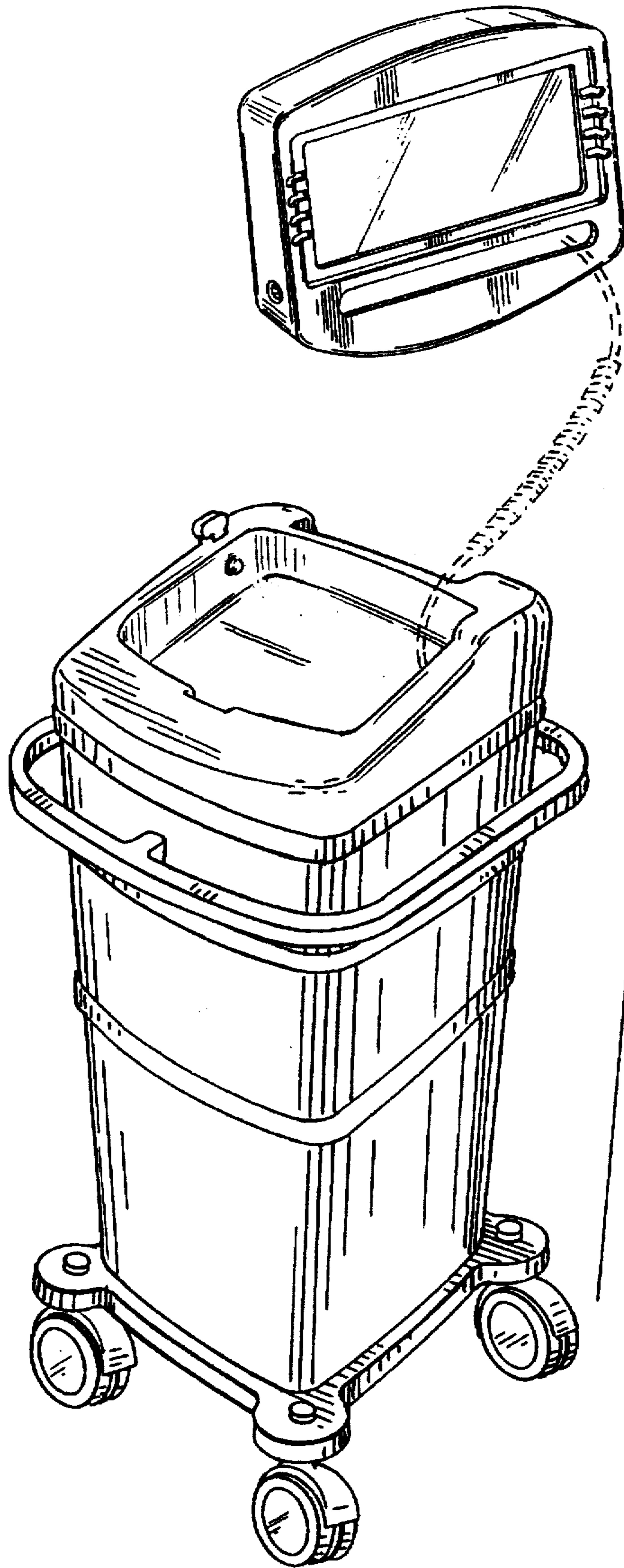


FIG. 9