

US00D389913S

United States Patent [19]

Bookwalter et al.

[11] Patent Number: **Des. 389,913**

[45] Date of Patent: *****Jan. 27, 1998**

[54] **COMBINED LAP AROSCOPIC TOOL HOLDER AND POSITIONER**

[75] Inventors: **John R. Bookwalter**, Brattleboro, Vt.;
David T. Adler, Manhasset, N.Y.

[73] Assignee: **Flexbar Machine Corp.**, Islandia, N.Y.

[*] Notice: The portion of the term of this patent subsequent to Jan. 13, 2012, has been disclaimed.

[**] Term: **14 Years**

[21] Appl. No.: **55,052**

[22] Filed: **May 30, 1996**

Related U.S. Application Data

[63] Continuation of Ser. No. 31,600, Nov. 29, 1994, abandoned, which is a continuation of Ser. No. 930,911, Aug. 17, 1992, abandoned.

[51] LOC (6) Cl. **24-01**

[52] U.S. Cl. **D24/138**

[58] Field of Search D24/138, 140,
D24/133, 128, 127; 248/160, 276, 230,
230.4, 288.3, 288.5; 128/20

[56] References Cited

U.S. PATENT DOCUMENTS

D. 235,107 5/1975 Alder D24/133

D. 293,470	12/1987	Alder	D24/140
3,584,822	6/1971	Oram	248/160
4,867,404	9/1989	Harrington et al.	248/276 X
4,949,927	8/1990	Madocks et al.	248/160 X
5,284,130	2/1994	Ratliff	248/160 X

OTHER PUBLICATIONS

The Codman Catalog Surgical Product Catalog. "Retractor" p. G-75, G-74 ©1992.

Primary Examiner—Louis S. Zarfes
Assistant Examiner—Frank Martinez
Attorney, Agent, or Firm—Charles I. Brodsky

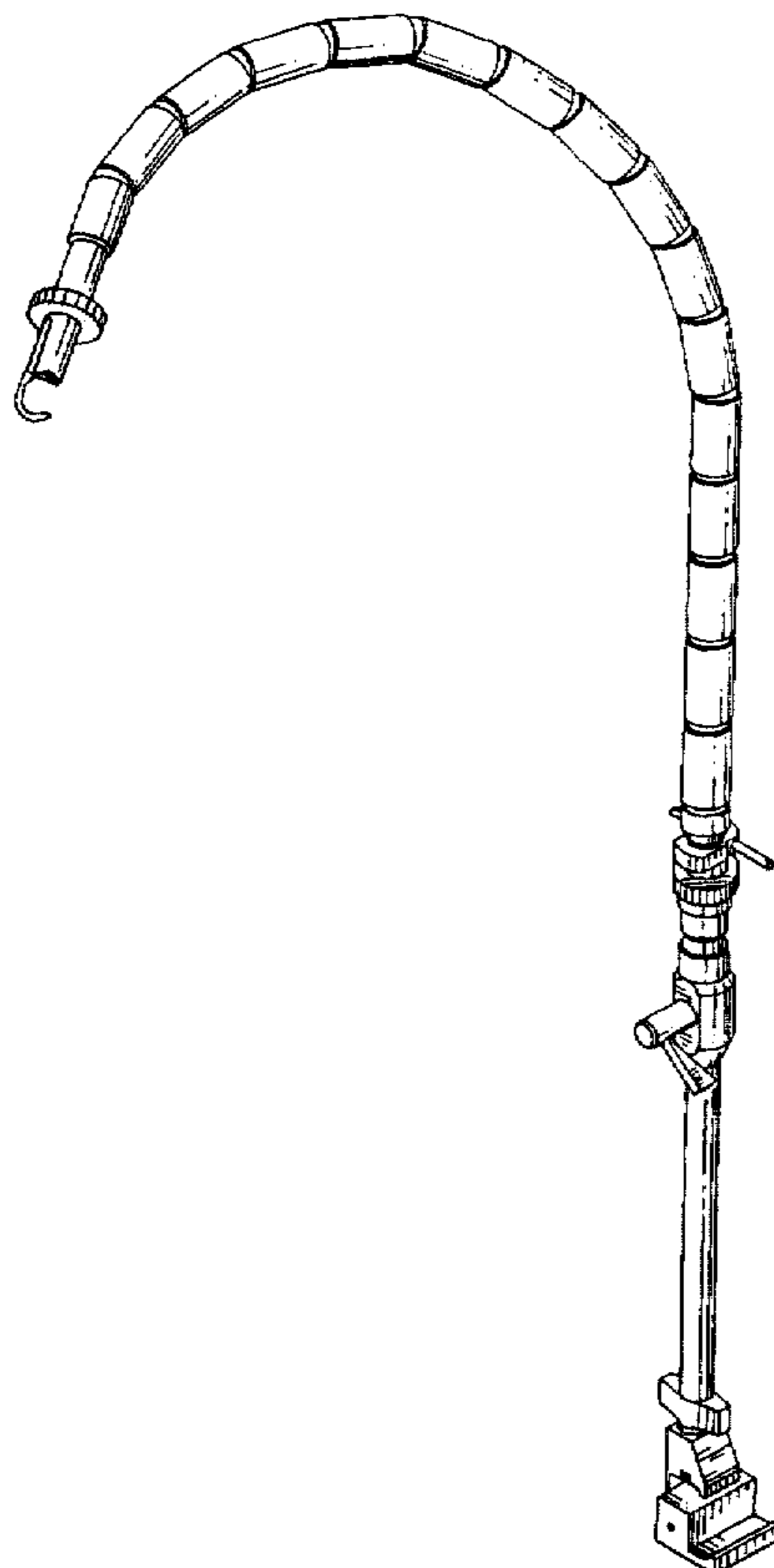
[57] CLAIM

The ornamental design for a combined laparoscopic tool holder and positioner, as shown and described.

DESCRIPTION

FIG. 1 is a left-front perspective view of a combined laparoscopic tool holder and positioner showing our new design, a right-front perspective view being a mirror image; FIG. 2 is a front elevational view thereof; FIG. 3 is a rear elevational view; FIG. 4 is a left side elevational view; FIG. 5 is a right side elevational view; FIG. 6 is a top plan view; and, FIG. 7 is a bottom plan view.

1 Claim, 5 Drawing Sheets



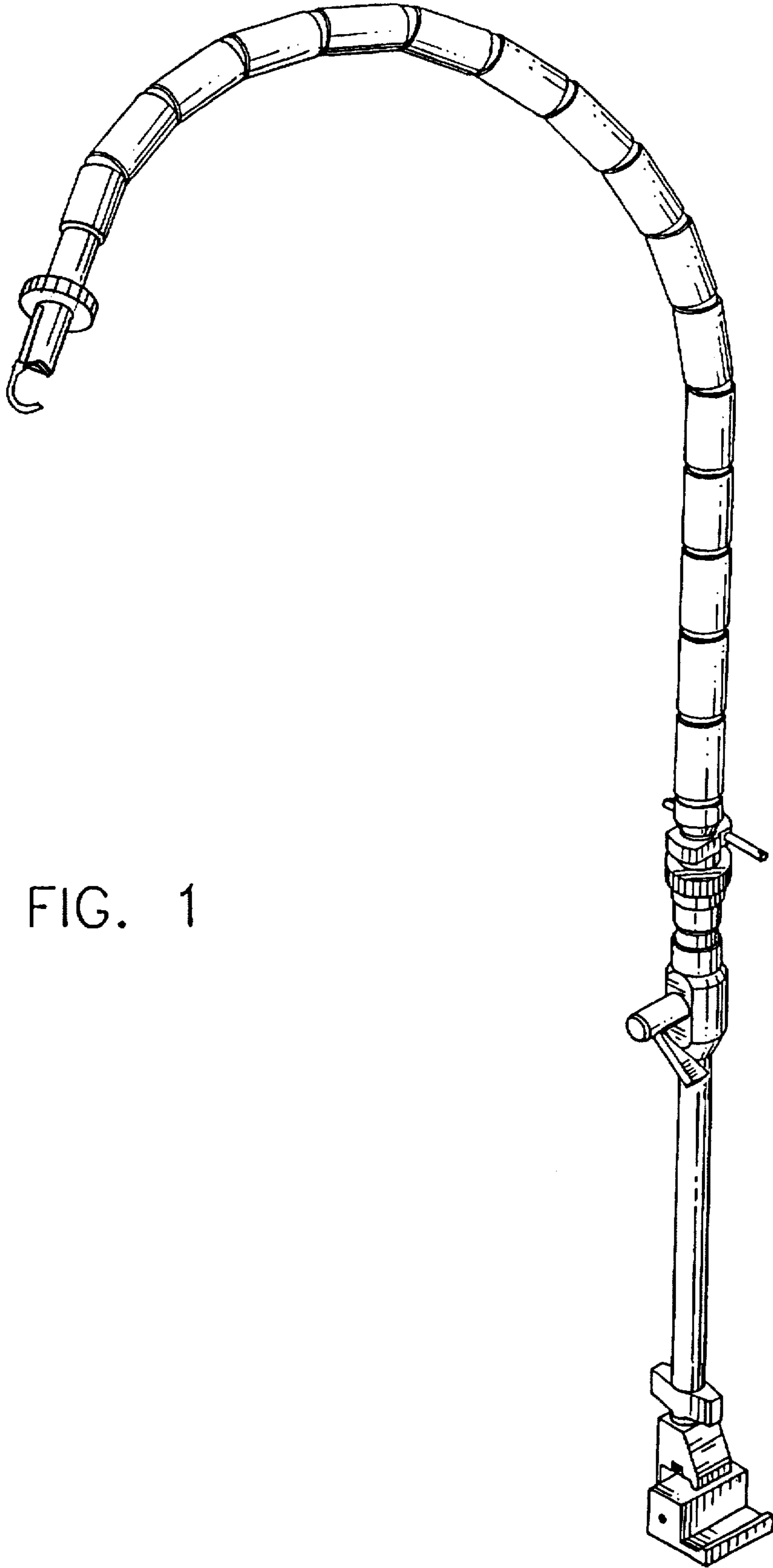


FIG. 1

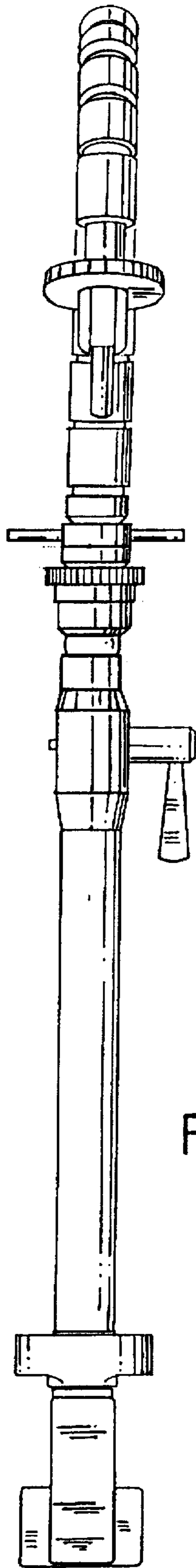


FIG. 2

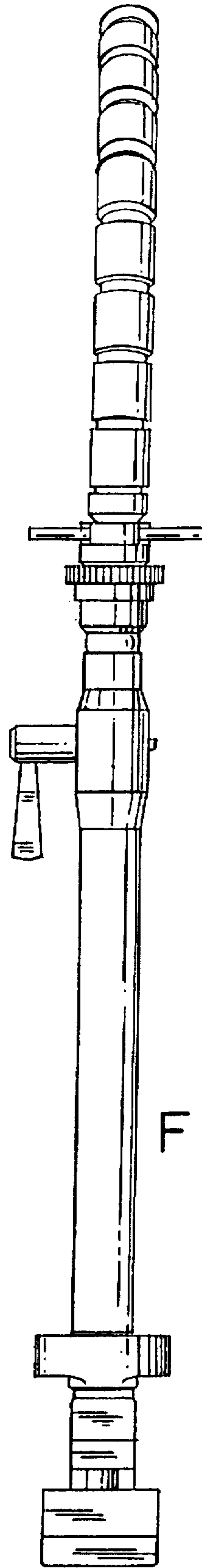


FIG. 3

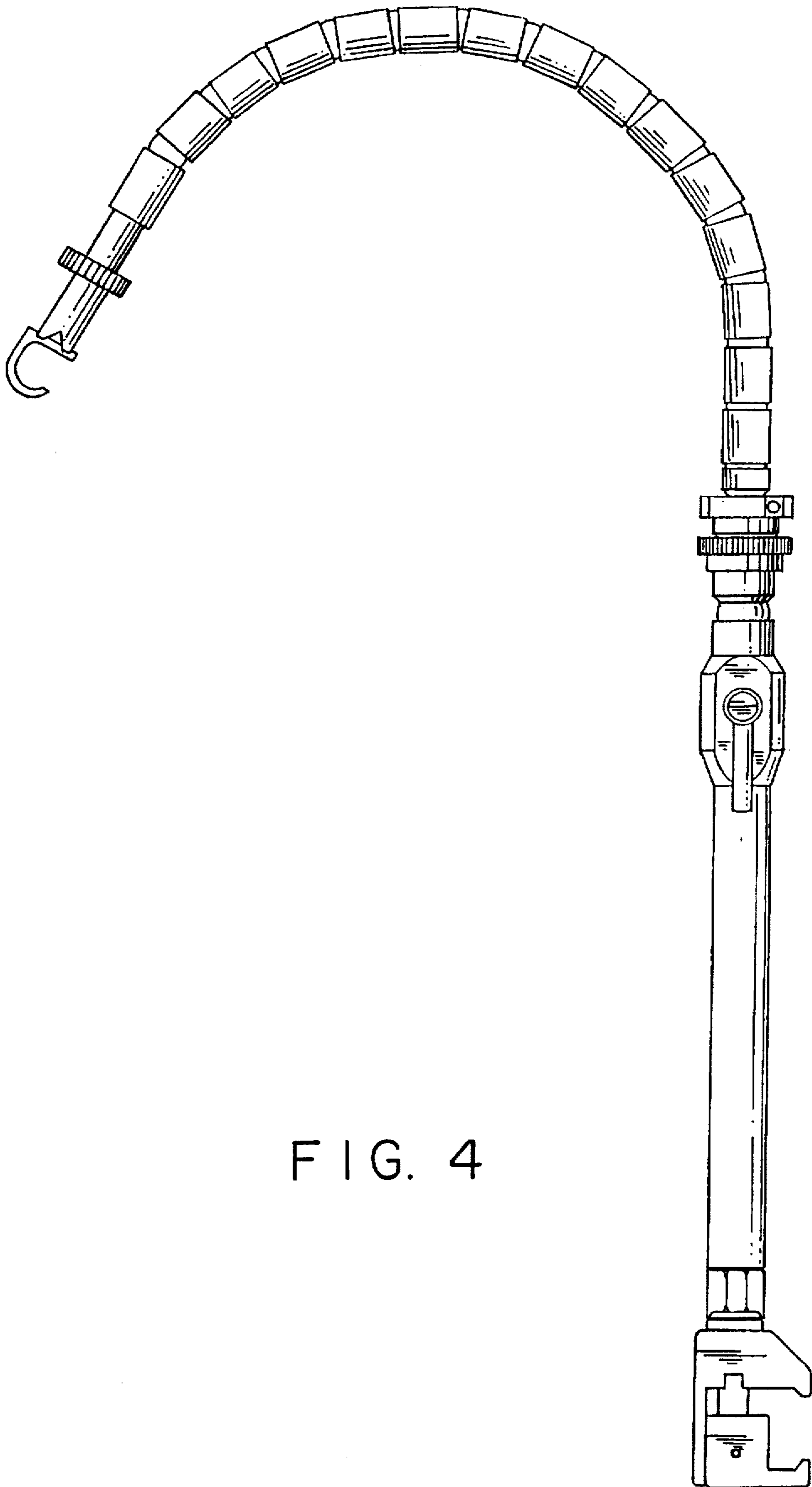


FIG. 4

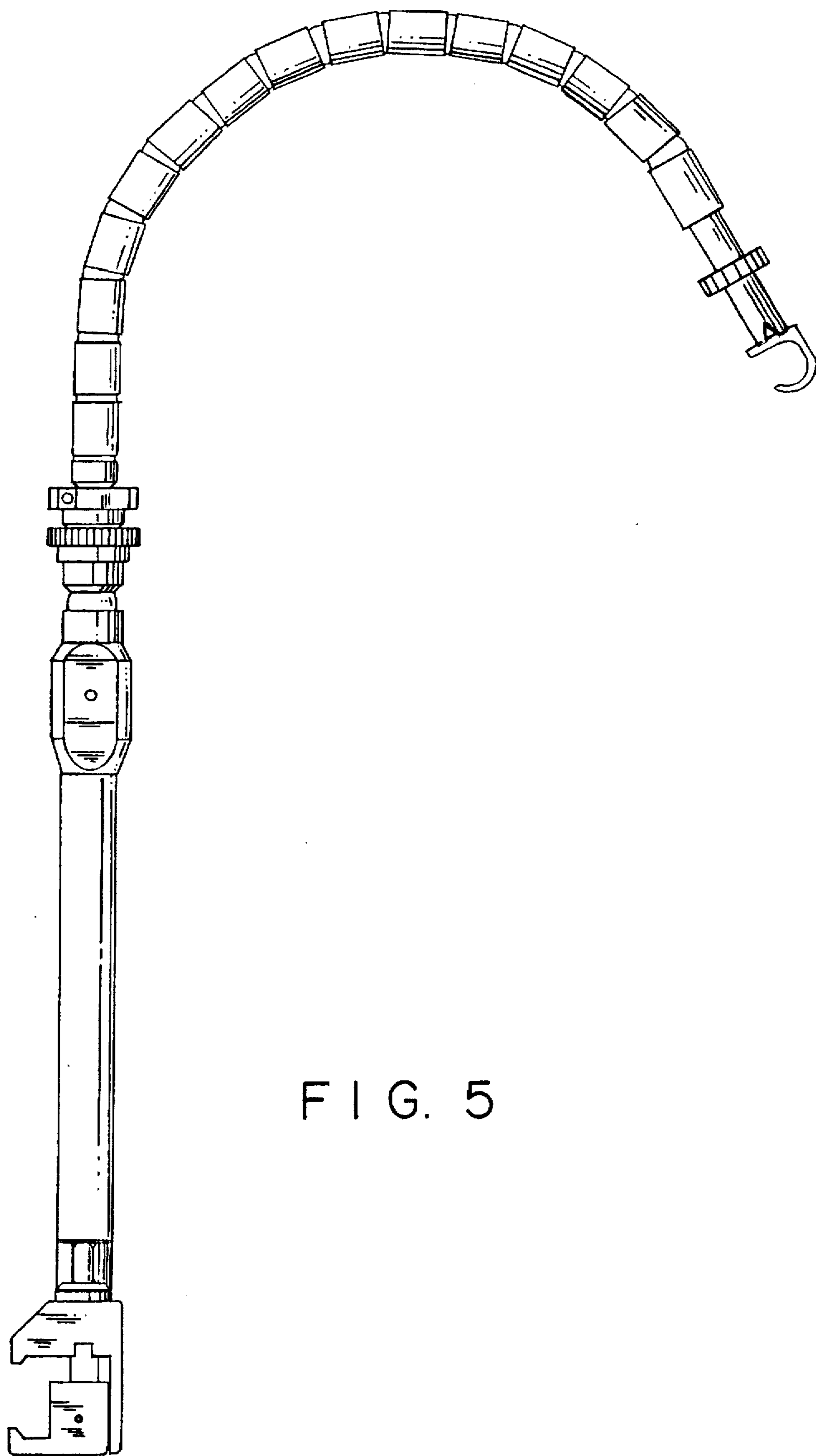


FIG. 5

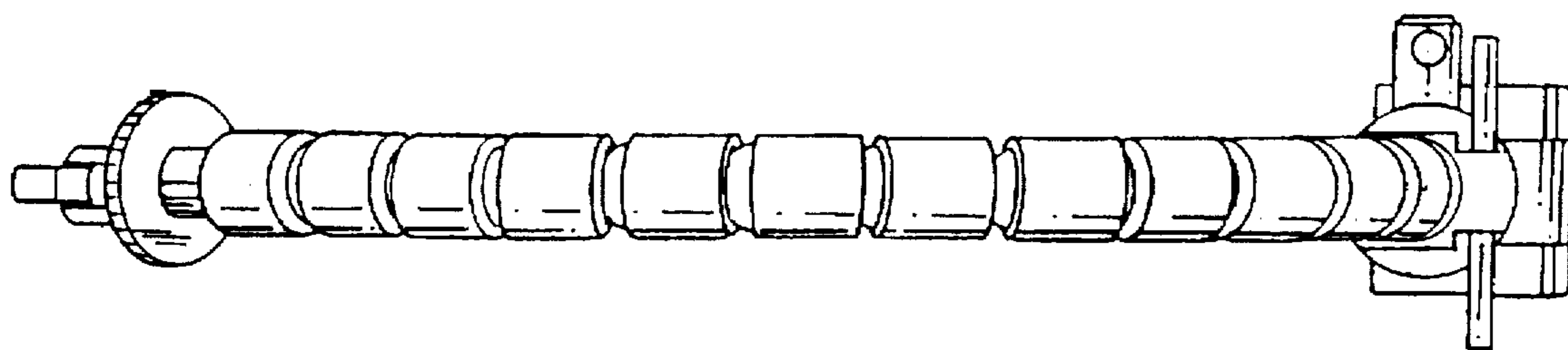


FIG. 6

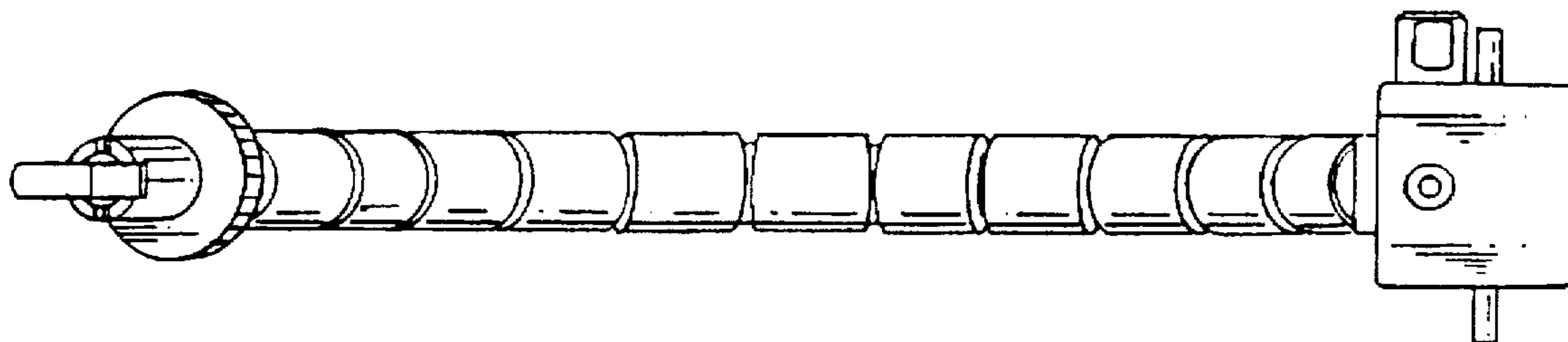


FIG. 7