



US00D389908S

United States Patent [19]

[11] Patent Number: **Des. 389,908**

Dolan

[45] Date of Patent: ****Jan. 27, 1998**

[54] **COMBINED CEILING FAN MOTOR HOUSING AND LIGHT**

OTHER PUBLICATIONS

Encon Industries, Inc. Brochure, ©1982, front cover, Ceiling Fan A, top of page.

[76] Inventor: **Patrick S. Dolan**, 1901 NW. Upshur, Portland, Oreg. 97209

Primary Examiner—Lisa Lichtenstein

[**] Term: **14 Years**

[57] CLAIM

[21] Appl. No.: **48,879**

The ornamental design for a combined ceiling fan motor housing and light, as shown and described.

[22] Filed: **Jan. 11, 1996**

DESCRIPTION

[51] LOC (6) Cl. **23-04**

FIG. 1 is a perspective view thereof;

[52] U.S. Cl. **D23/411; D23/377; D23/385**

FIG. 2 is a side view in elevation thereof, the other sides being identical to that shown;

[58] Field of Search **D23/377, 379,**

D23/385, 411; 416/5; 392/364; 362/96;

D26/81-86, 88, 51, 59, 72

FIG. 3 is a top plan view thereof, on a reduced scale; and, FIG. 4 is a bottom plan view thereof, on a slightly reduced scale.

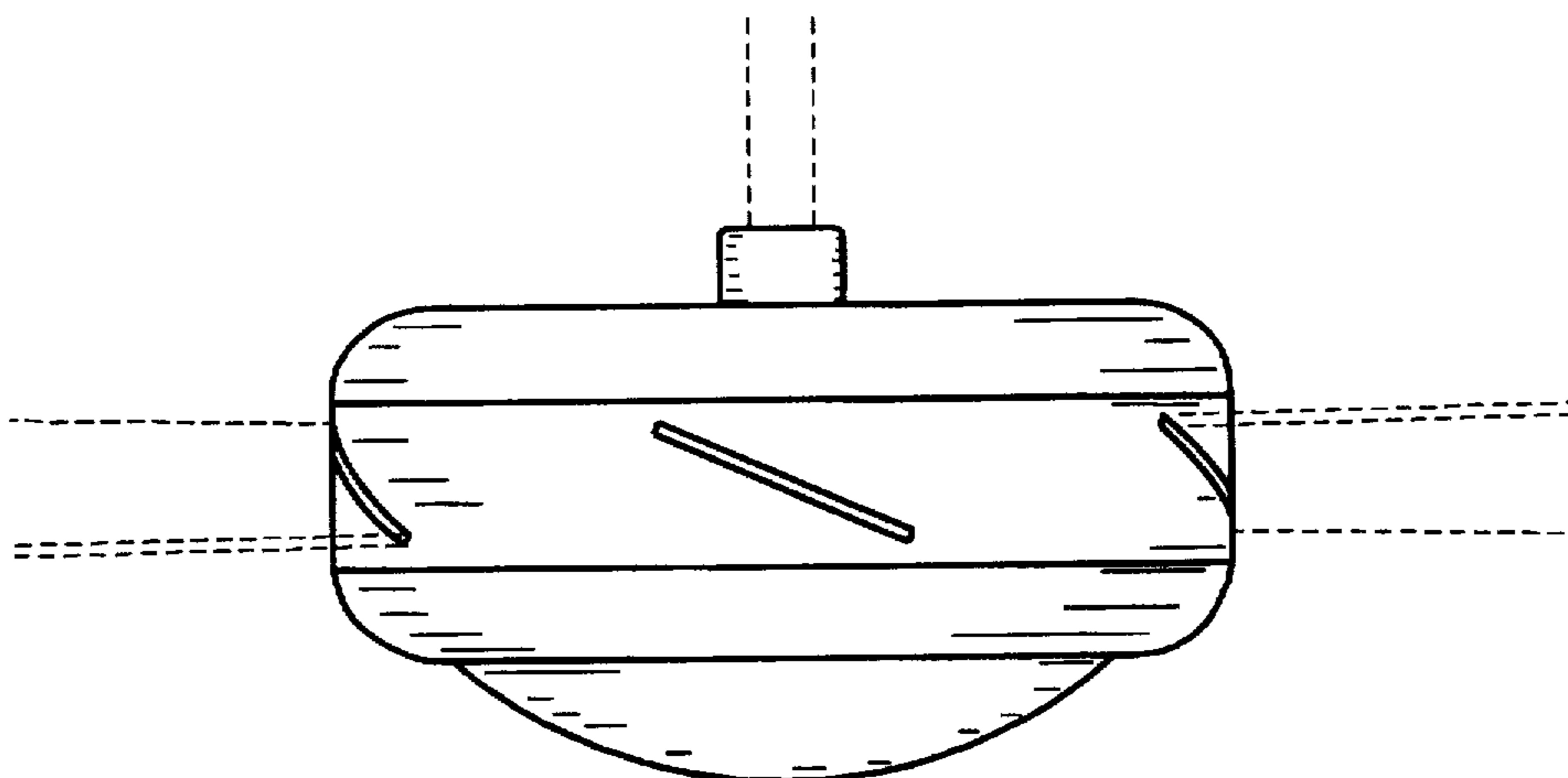
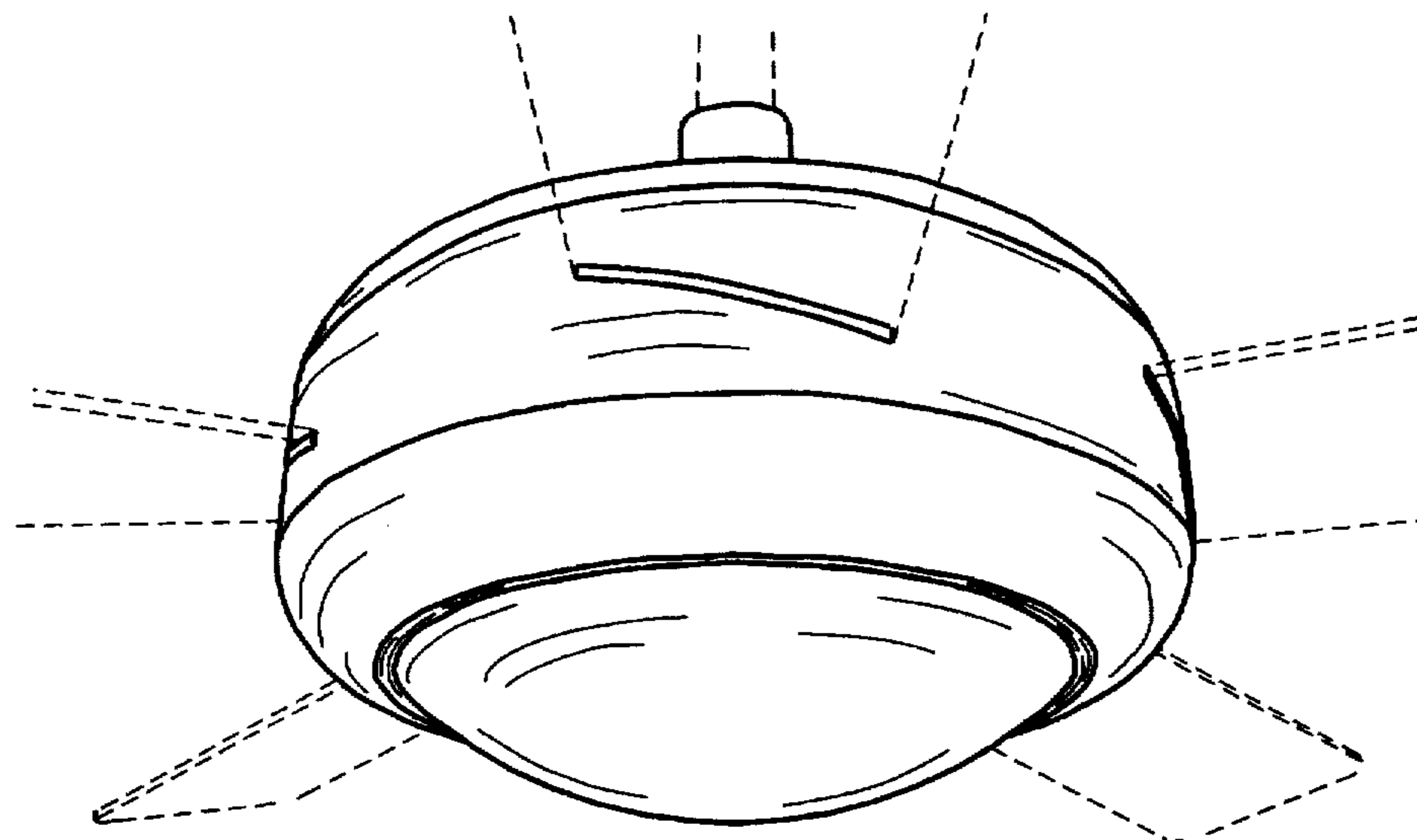
[56] References Cited

The broken lines shown in the drawing are enviromental only and form no part of the claimed design.

U.S. PATENT DOCUMENTS

D. 372,080 7/1996 Dolan D23/377

1 Claim, 4 Drawing Sheets



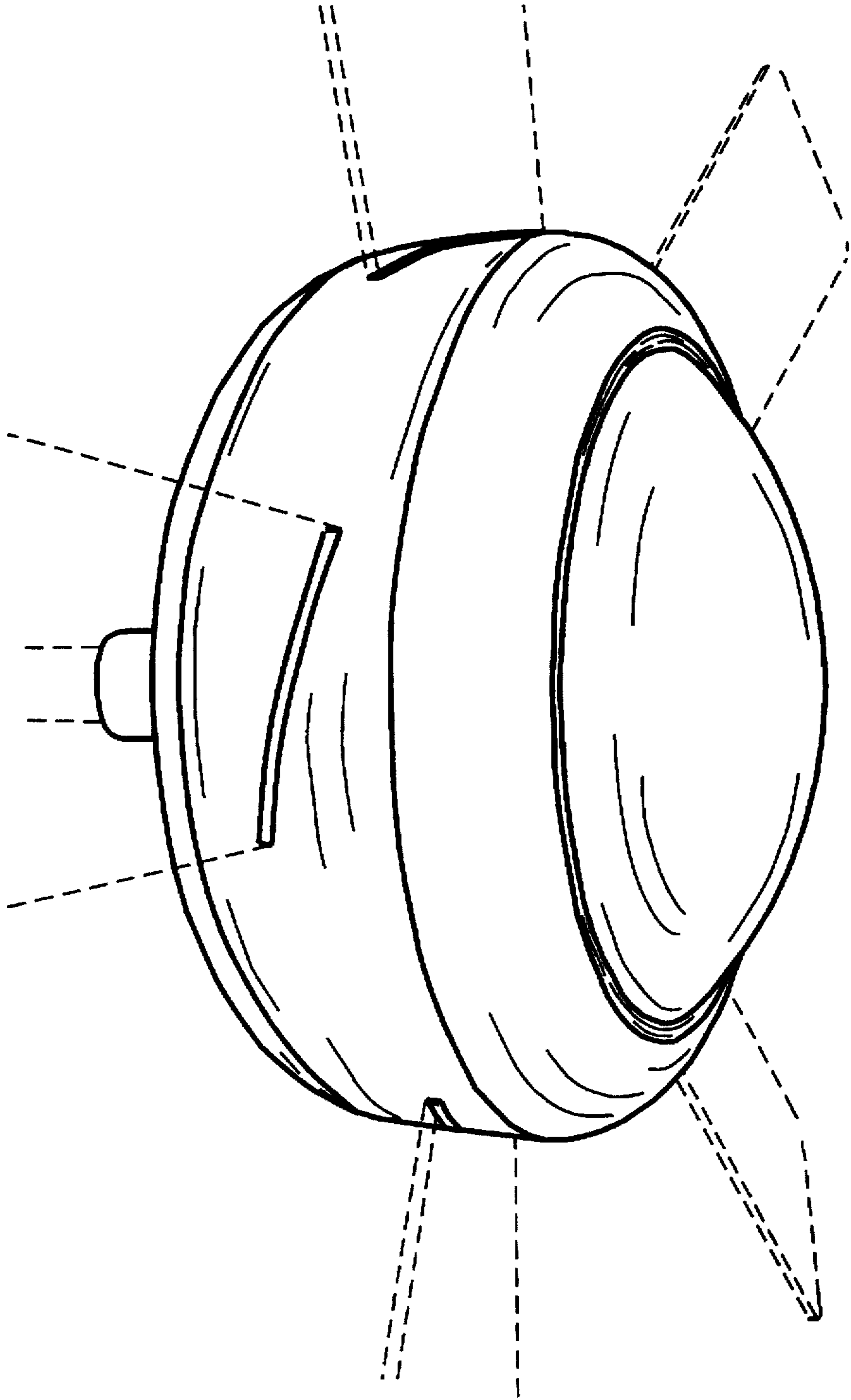


Fig. 1

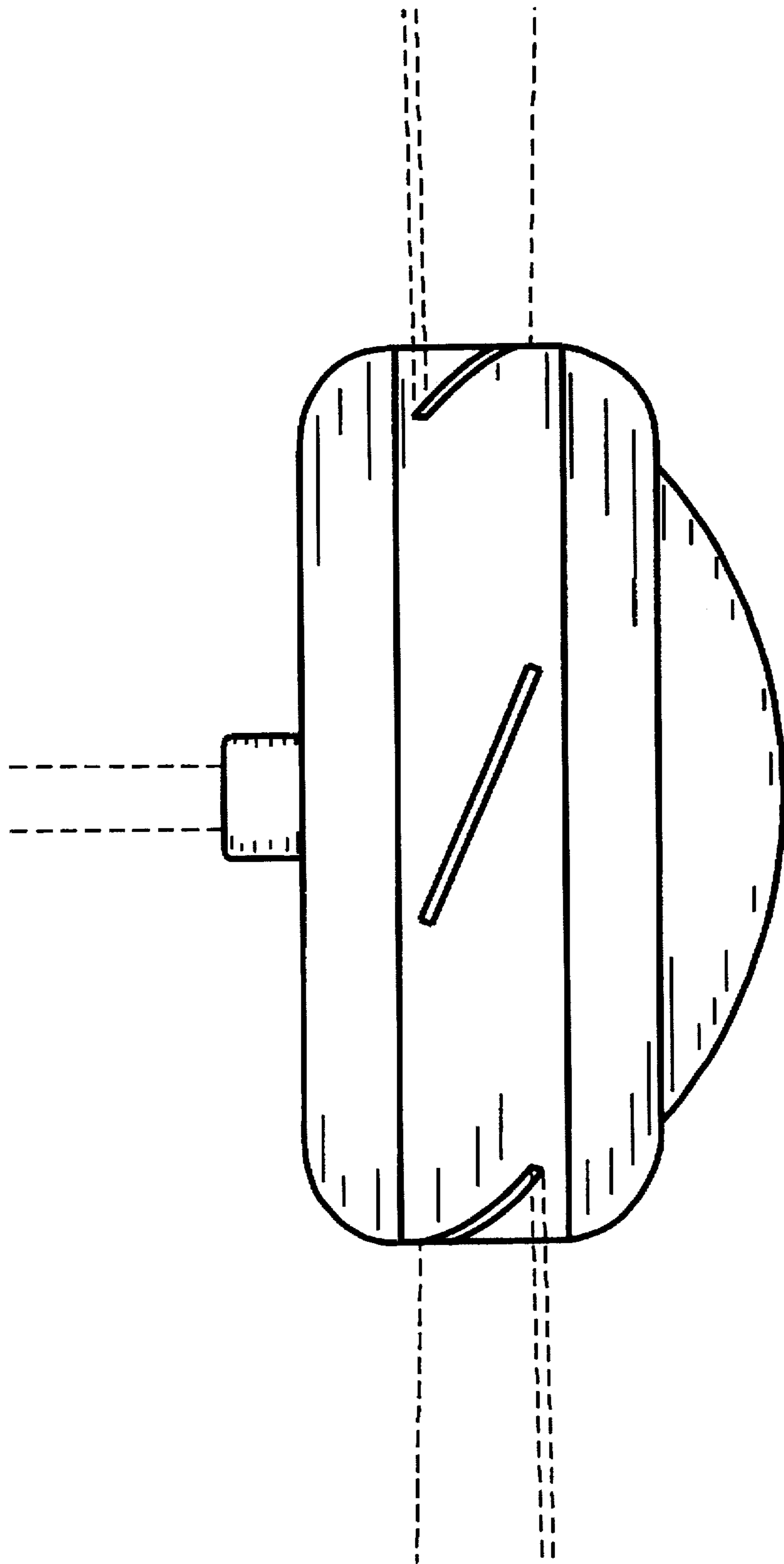


Fig. 2

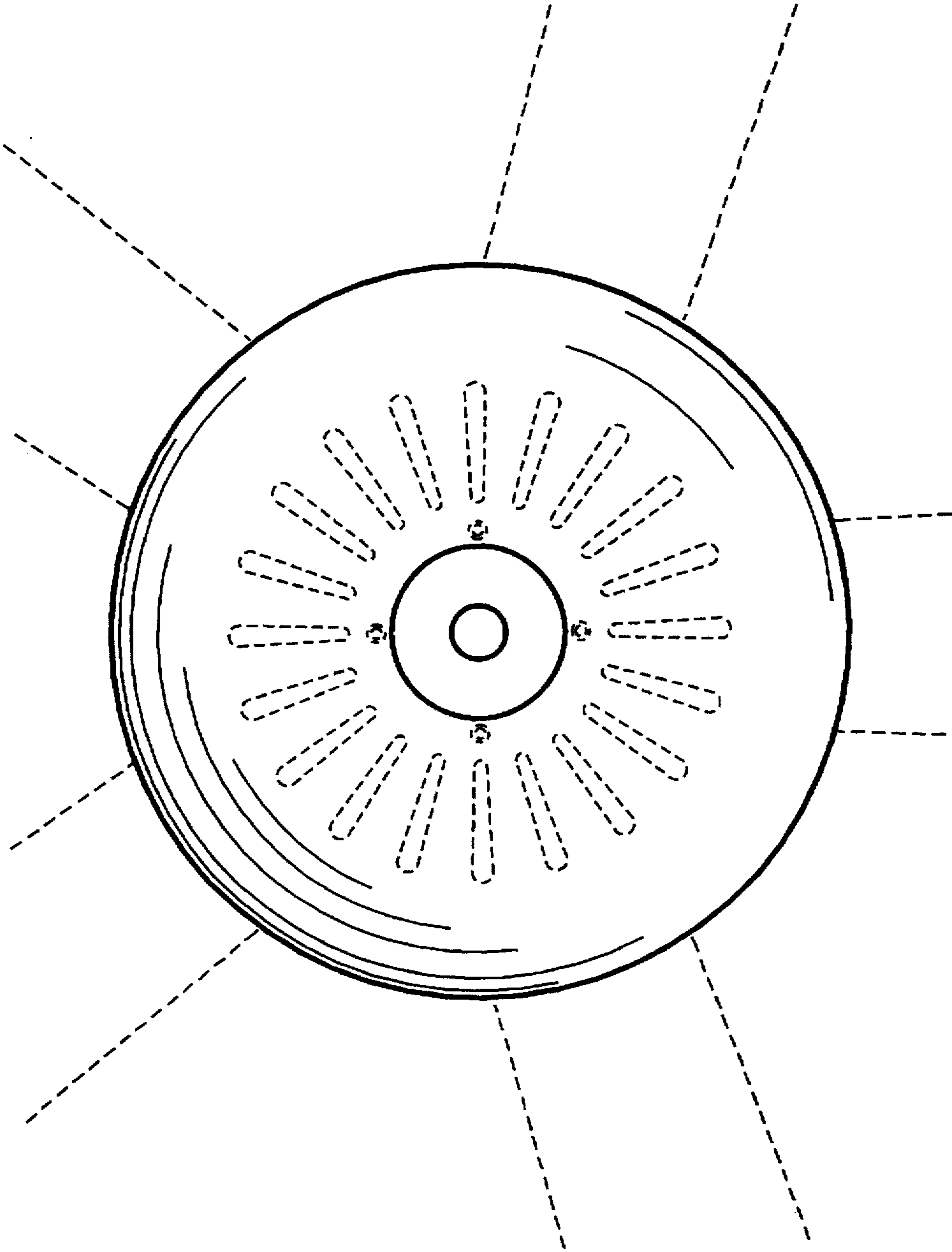


Fig. 3

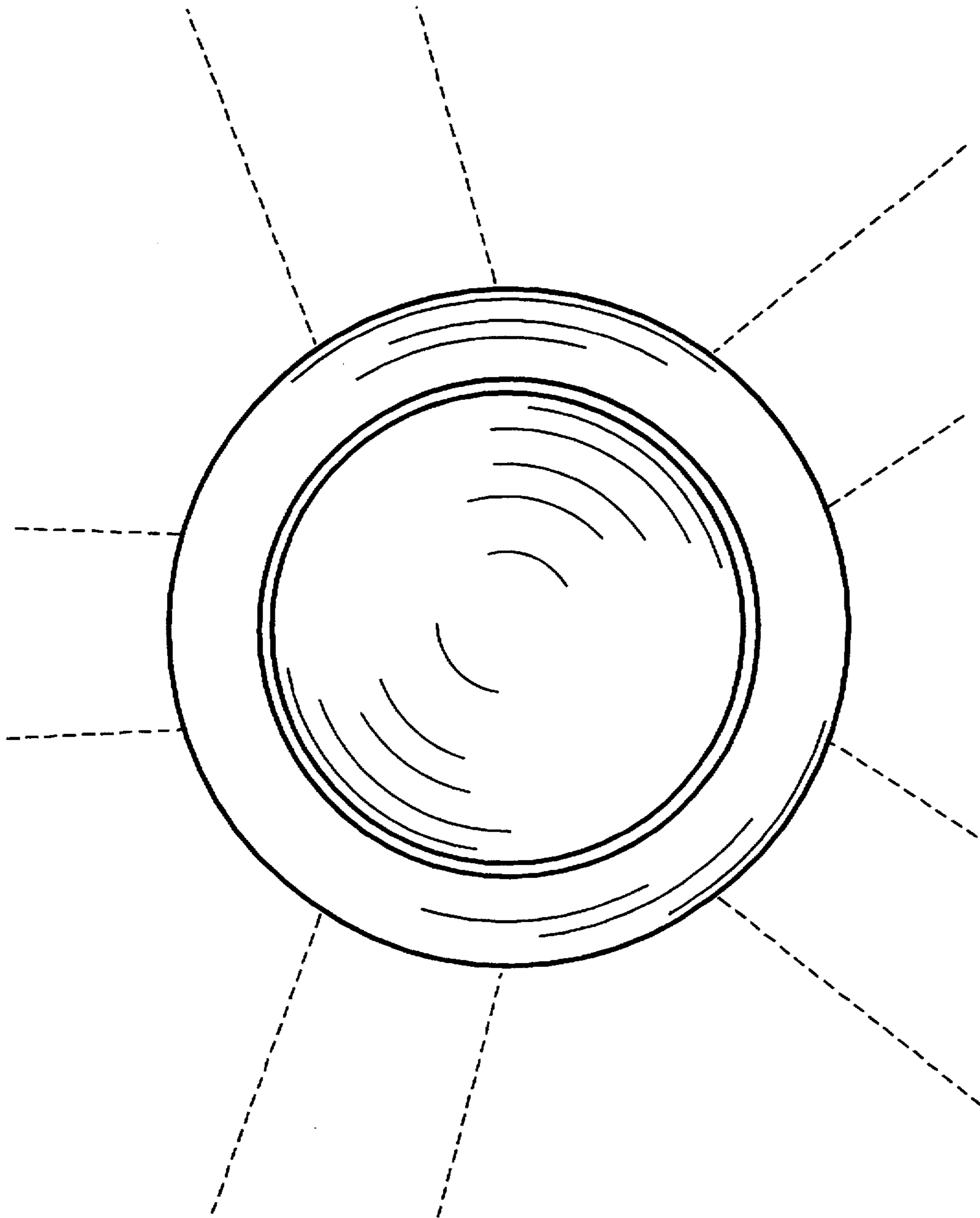


Fig. 4