



US00D389907S

# United States Patent [19]

Willis

[11] Patent Number: **Des. 389,907**

[45] Date of Patent: **\*\*Jan. 27, 1998**

[54] **DUCT FOR A TOILET BOWL VENTILATION SYSTEM**

*Primary Examiner*—Holly Baynham  
*Attorney, Agent, or Firm*—Kenneth A. Roddy

[76] Inventor: **Jerry F. Willis**, 10918 Francoise,  
Houston, Tex. 77042

[57] **CLAIM**

[\*\*] Term: **14 Years**

The ornamental design for a duct for a toilet bowl ventilation system, as shown and described.

[21] Appl. No.: **51,509**

**DESCRIPTION**

[22] Filed: **Mar. 12, 1996**

[51] LOC (6) Cl. .... **23-04**

[52] U.S. Cl. .... **D23/393**

[58] Field of Search ..... D23/393; 4/213,  
4/349; 55/357

FIG. 1 is a perspective view of a duct for a toilet bowl ventilation system showing my new design from the top, one end, and one side; and,

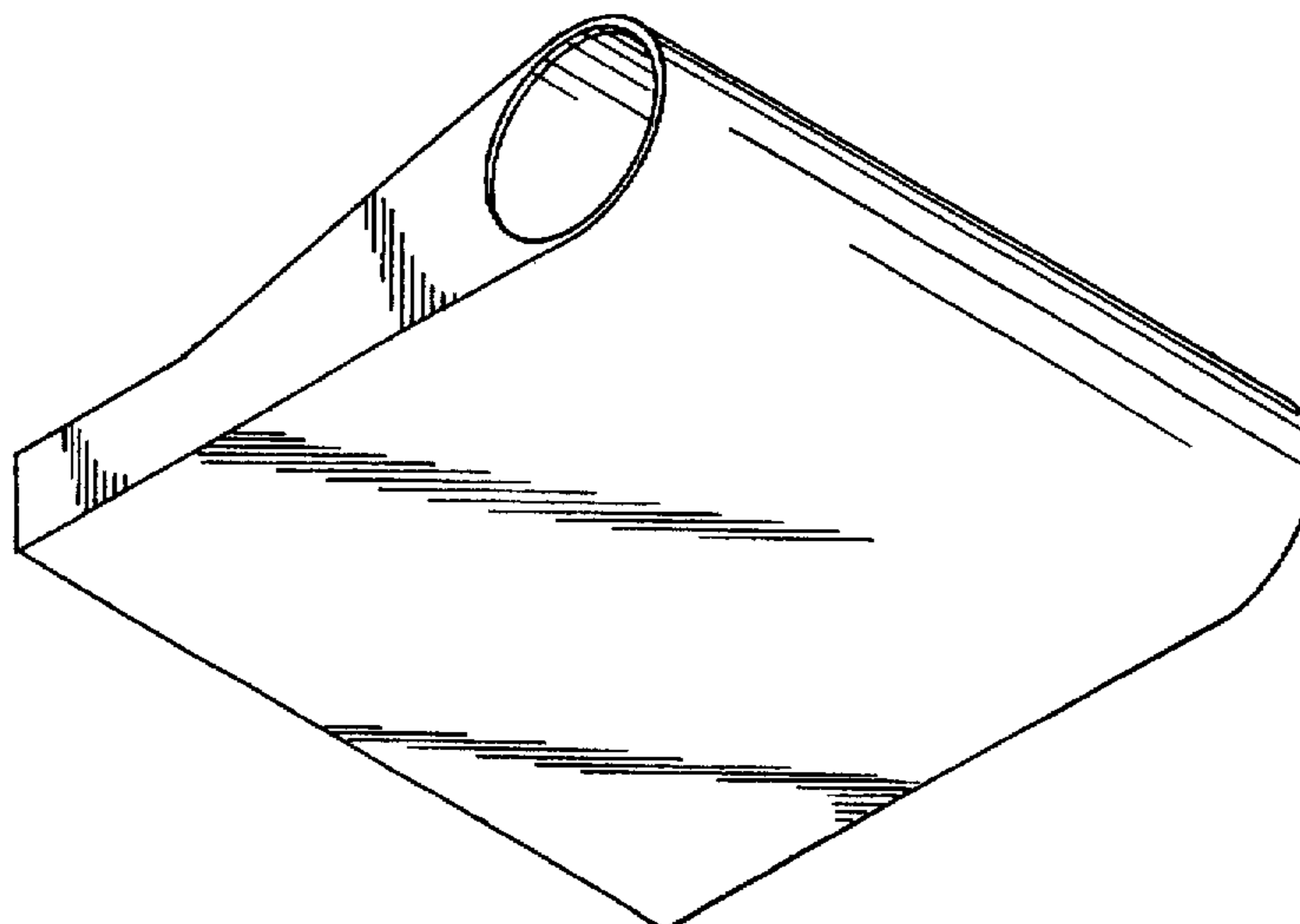
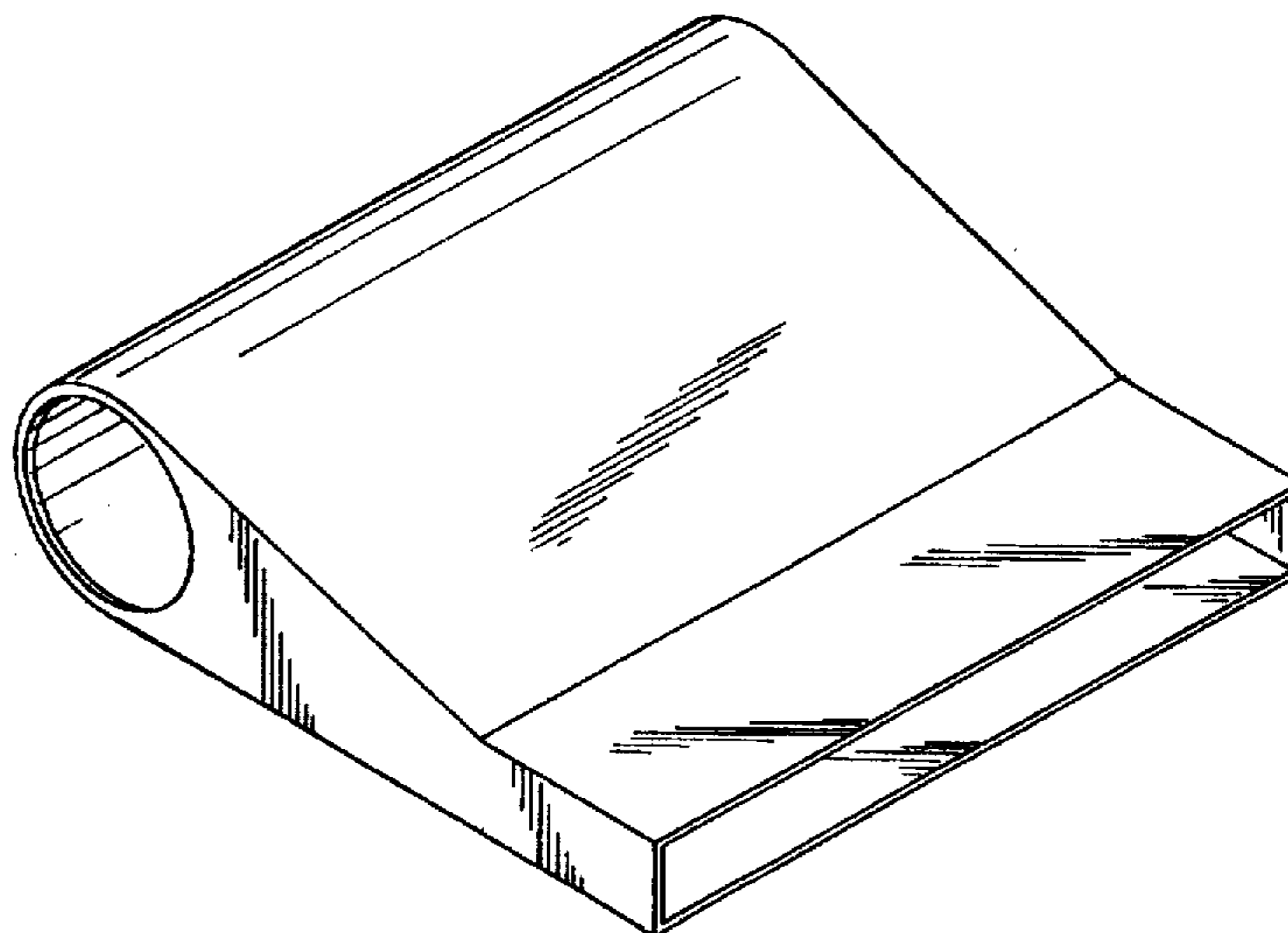
FIG. 2 is a perspective view thereof showing my new design from the bottom, and end and side opposite that shown in FIG. 1.

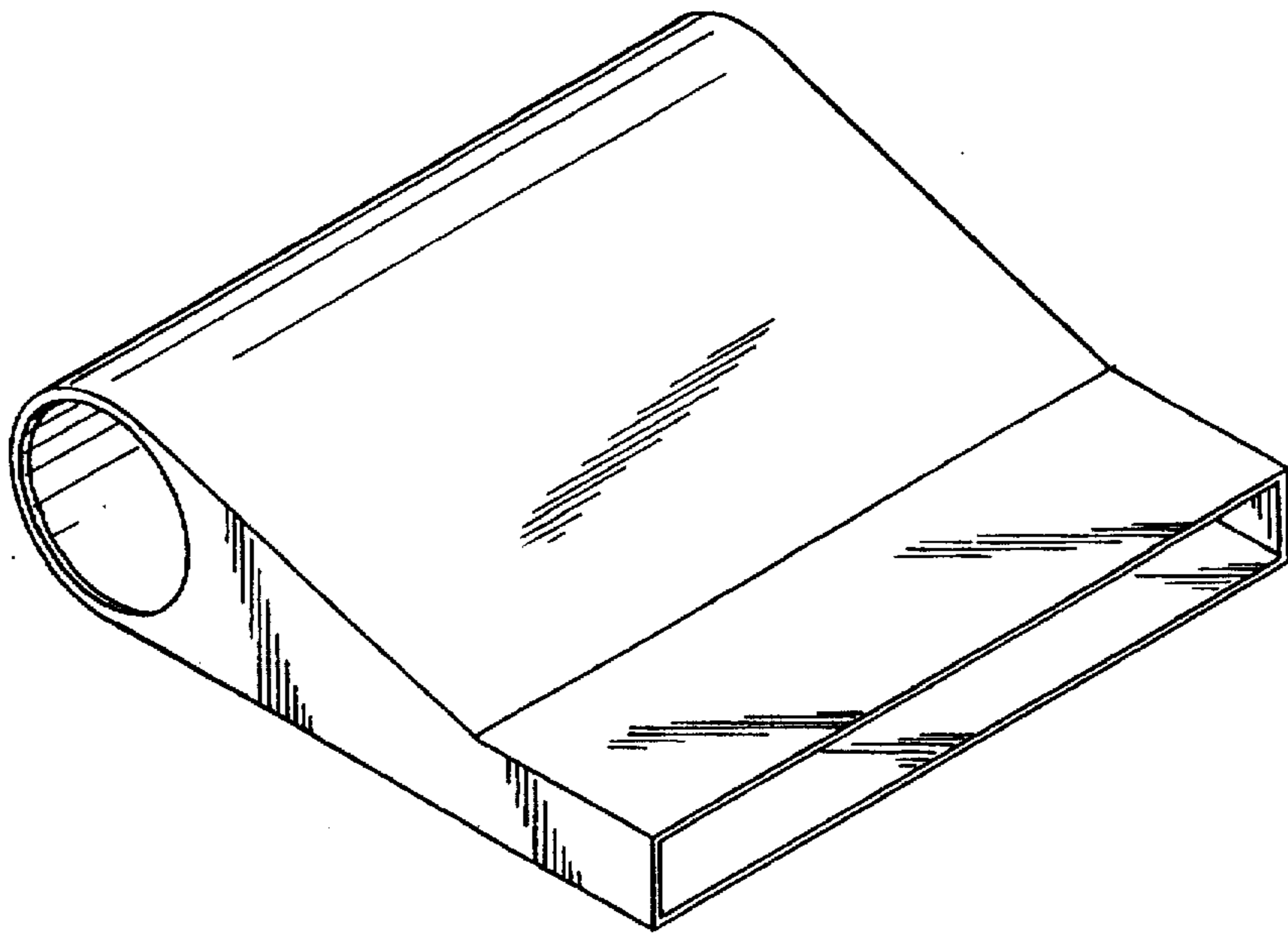
[56] **References Cited**

**U.S. PATENT DOCUMENTS**

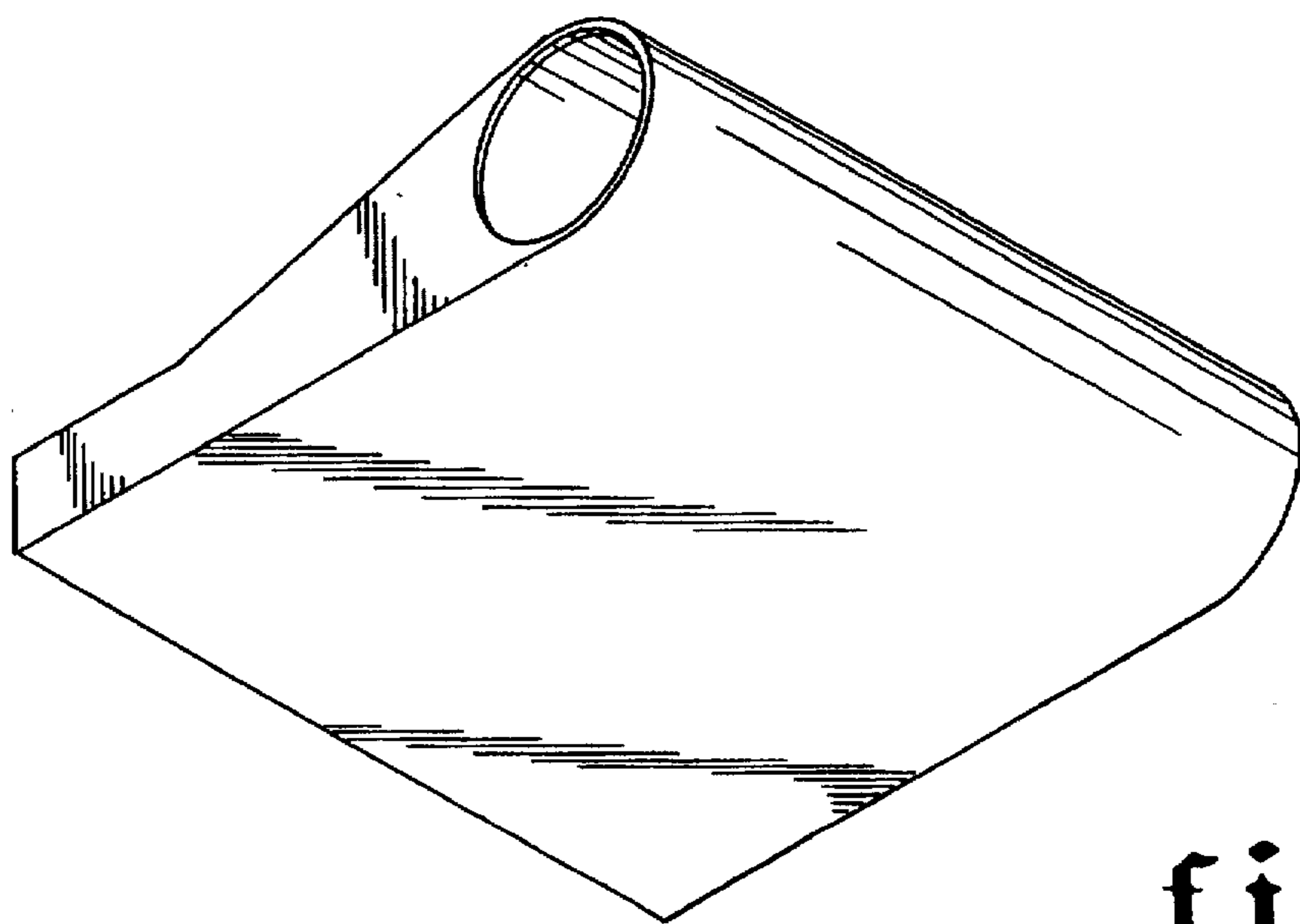
- D. 258,410 3/1981 Mayo ..... D23/393
- D. 307,568 5/1990 Lopez ..... D23/393 X

**1 Claim, 1 Drawing Sheet**





**fig. 1**



**fig. 2**