



US00D389906S

United States Patent [19]

Goeren et al.

[11] Patent Number: **Des. 389,906**

[45] Date of Patent: ****Jan. 27, 1998**

[54] AIR FRESHENER WITH A BOW TIE

[75] Inventors: **Cornelius J. Goeren**, New Albany;
Anne Peffer-Pitt, Columbus; **Elizabeth Baude Johnson**, Hilliard; **Carolyn R. Townsend**, Westerville, all of Ohio

[73] Assignee: **Bath & Body Works, Inc.**, Columbus, Ohio

[**] Term: **14 Years**

[21] Appl. No.: **45,245**

[22] Filed: **Oct. 13, 1995**

[51] LOC (6) Cl. **23-04**

[52] U.S. Cl. **D23/367; D23/366**

[58] Field of Search **D23/366-369; 239/58, 59, 55, 60, 57, 211, 34; 261/DIG. 65; 422/120, 123, 305; D9/504, 503, 500, 337**

[56] References Cited

U.S. PATENT DOCUMENTS

D. 315,676	3/1991	Snipes et al.	D9/337
D. 368,771	4/1996	Patel et al.	D9/503
2,770,382	11/1956	Ritter	D9/500
2,802,090	8/1957	Fatzman et al.	D23/362

OTHER PUBLICATIONS

Glass Packer, Jan. 1961 p. 8, Jar (A), left middle side of page.

Primary Examiner—Lisa Lichtenstein
Attorney, Agent, or Firm—Colucci & Umans

[57] CLAIM

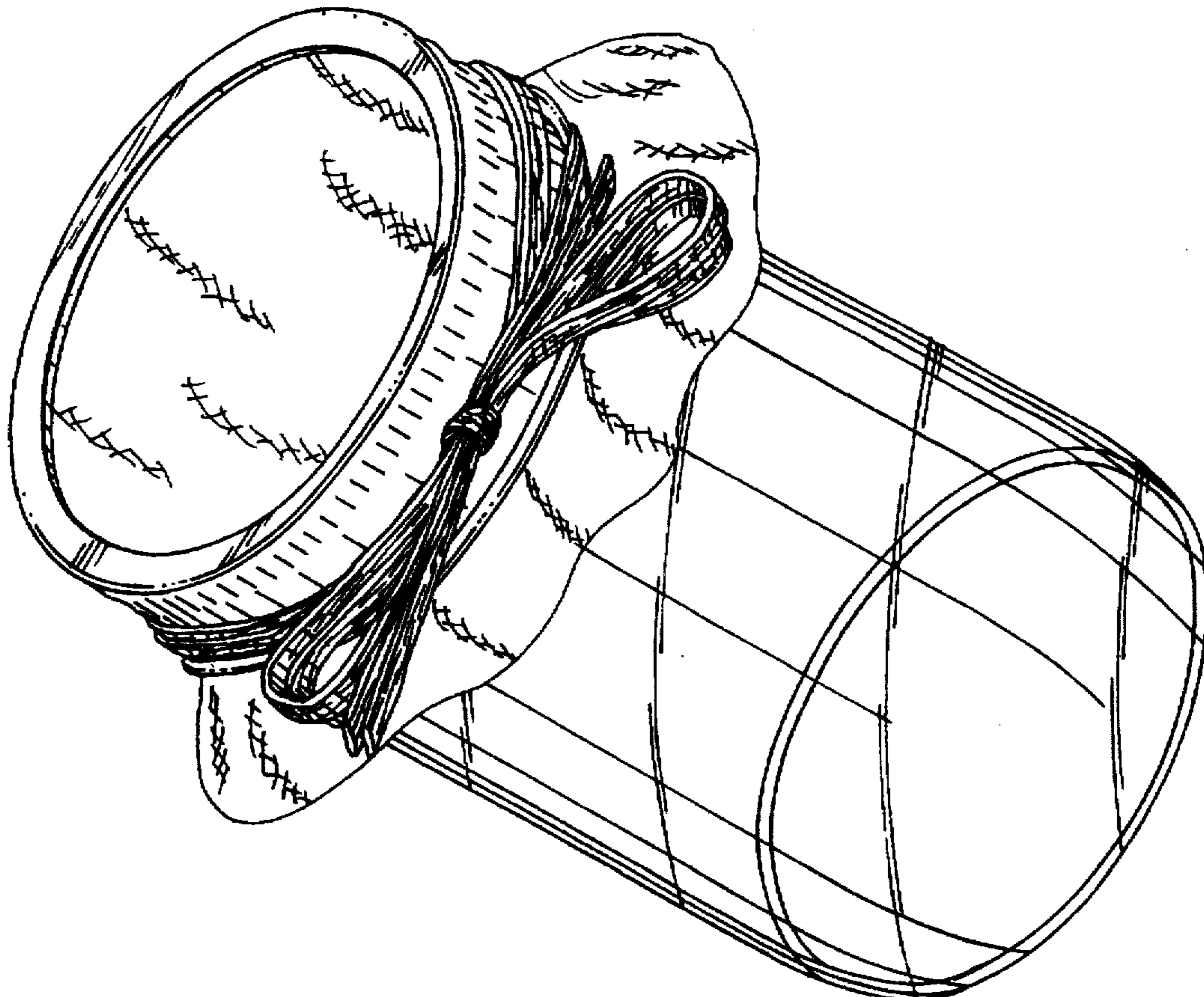
The ornamental design for an air freshener with a bow tie, as shown and described.

DESCRIPTION

FIG. 1 is a perspective view of an air freshener with a bow tie showing our new design;
FIG. 2 is a top plan view thereof;
FIG. 3 is a front view thereof;
FIG. 4 is a side view thereof;
FIG. 5 is a bottom plan view thereof; and,
FIG. 6 is a side view, in section, taken on section lines 2—2 of FIG. 3.

The cross hatching in FIGS. 1-6 represents conventional fabric and is understood to extend uniformly throughout the areas represented.

1 Claim, 3 Drawing Sheets



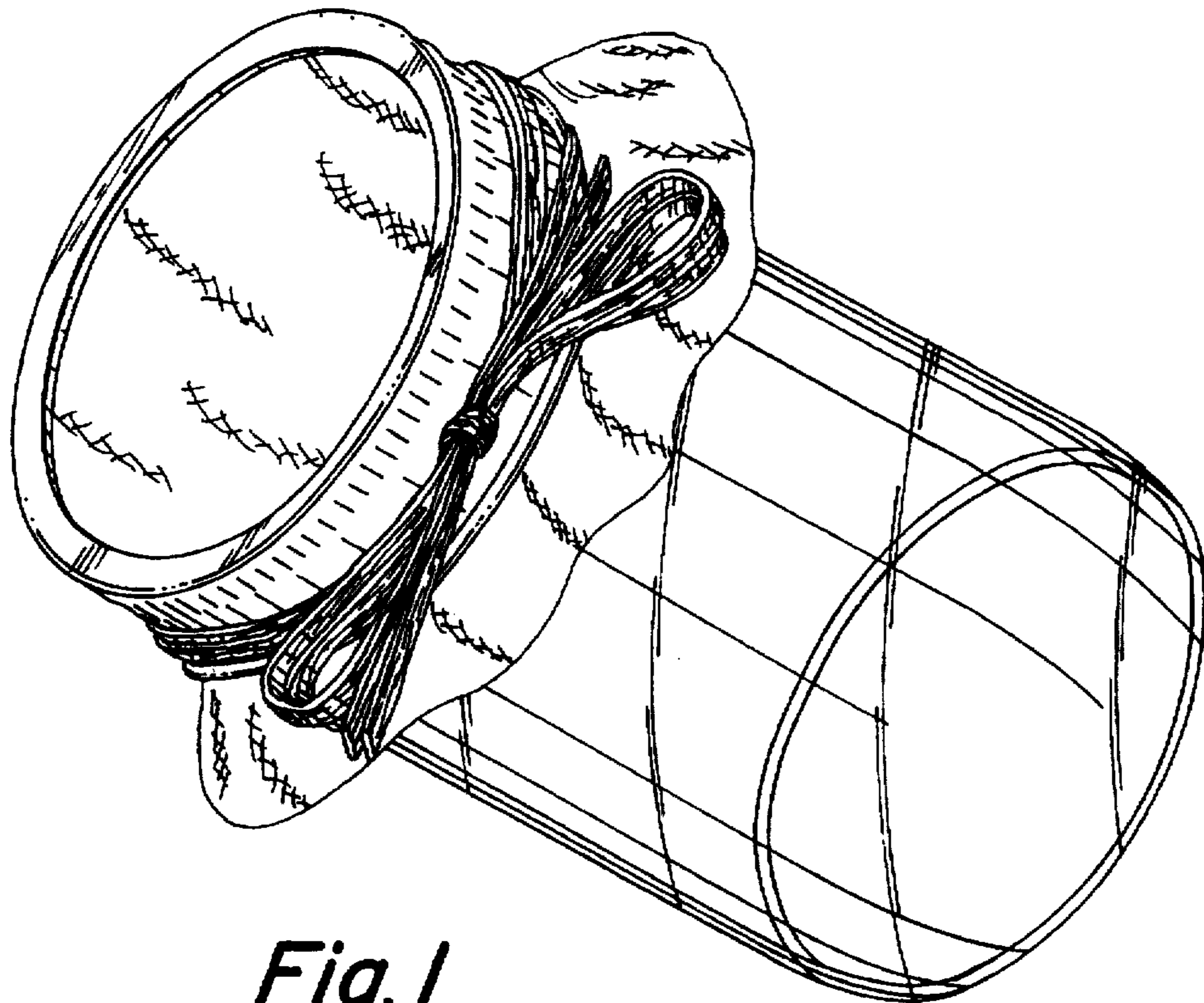
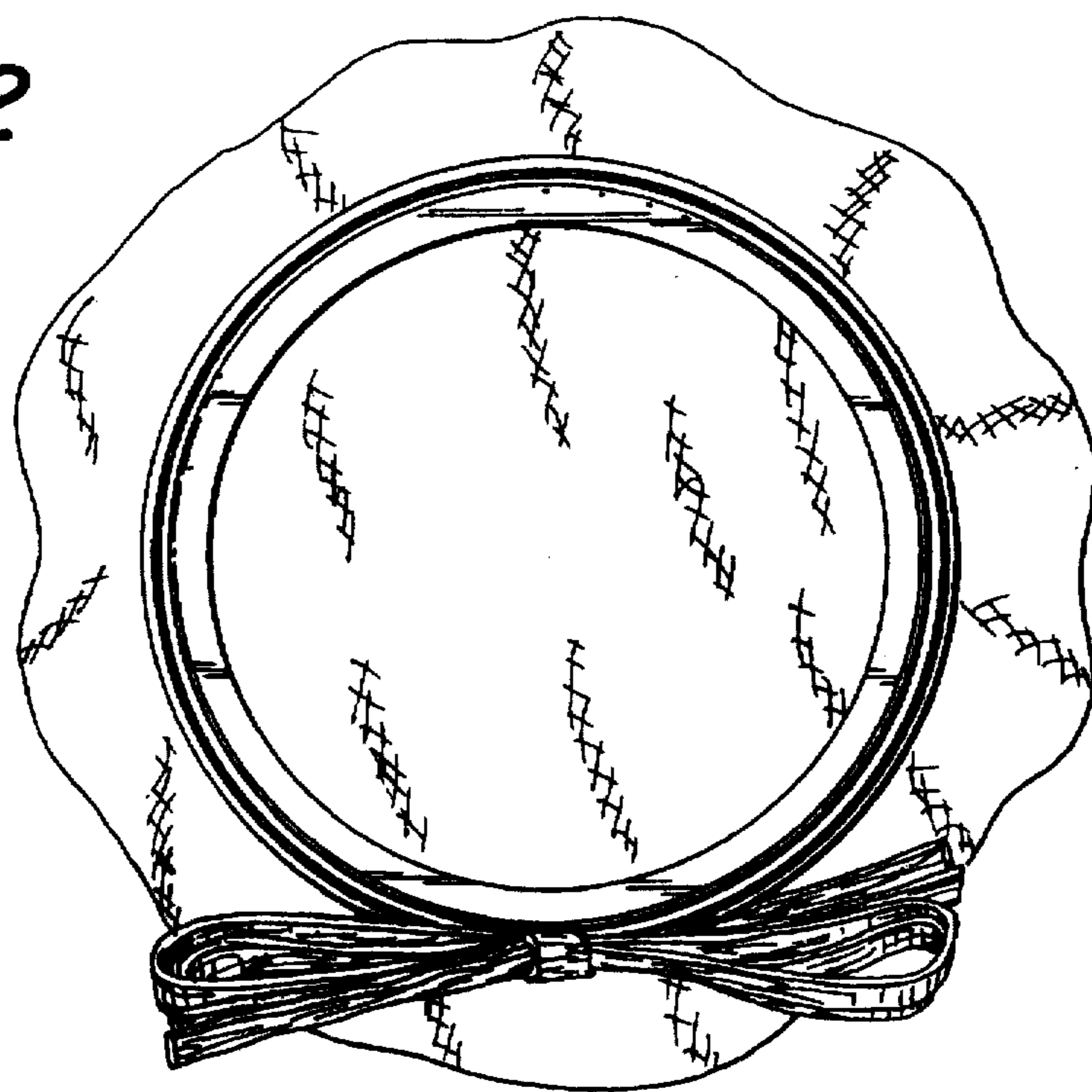


Fig. 1

Fig. 2



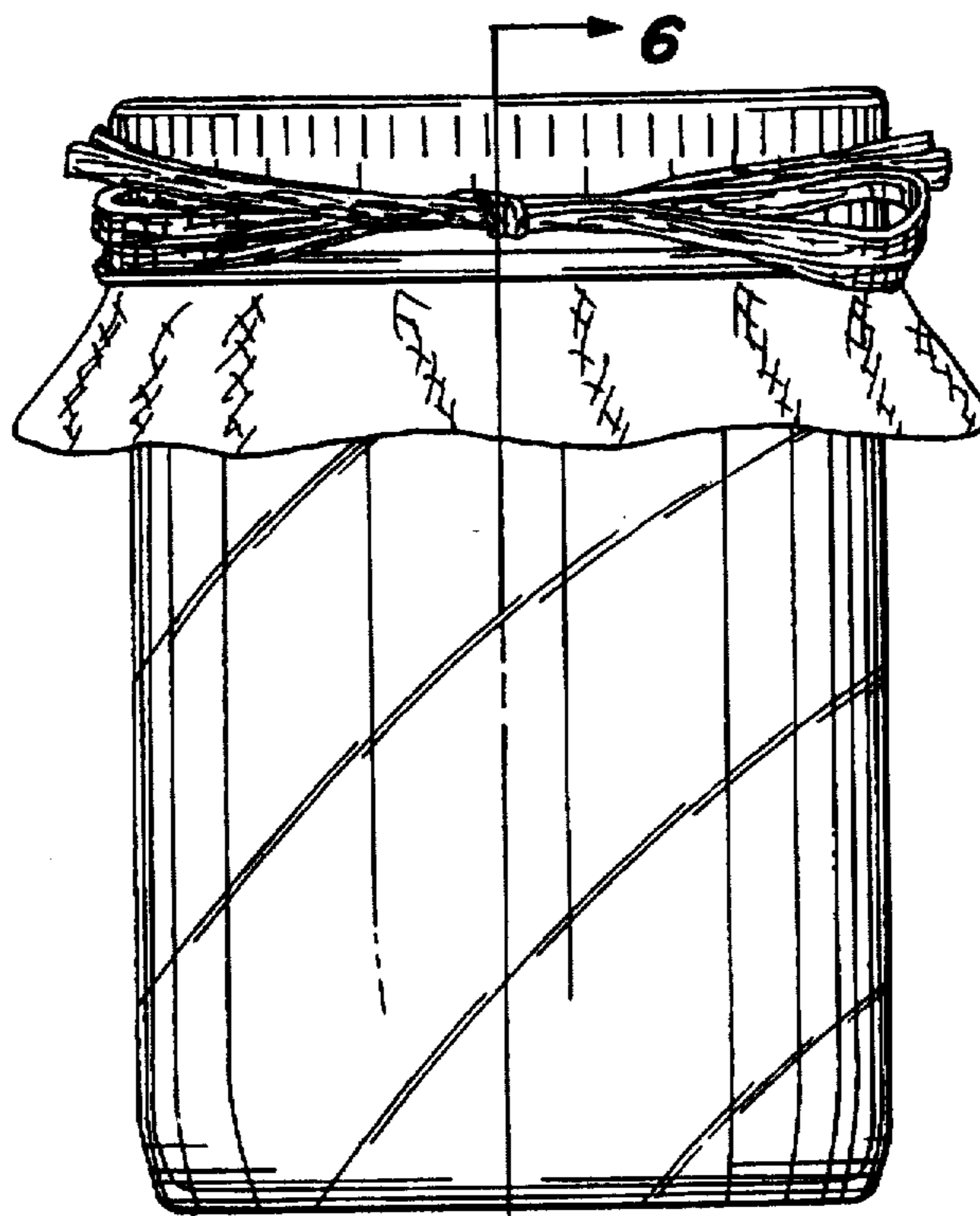


Fig. 3

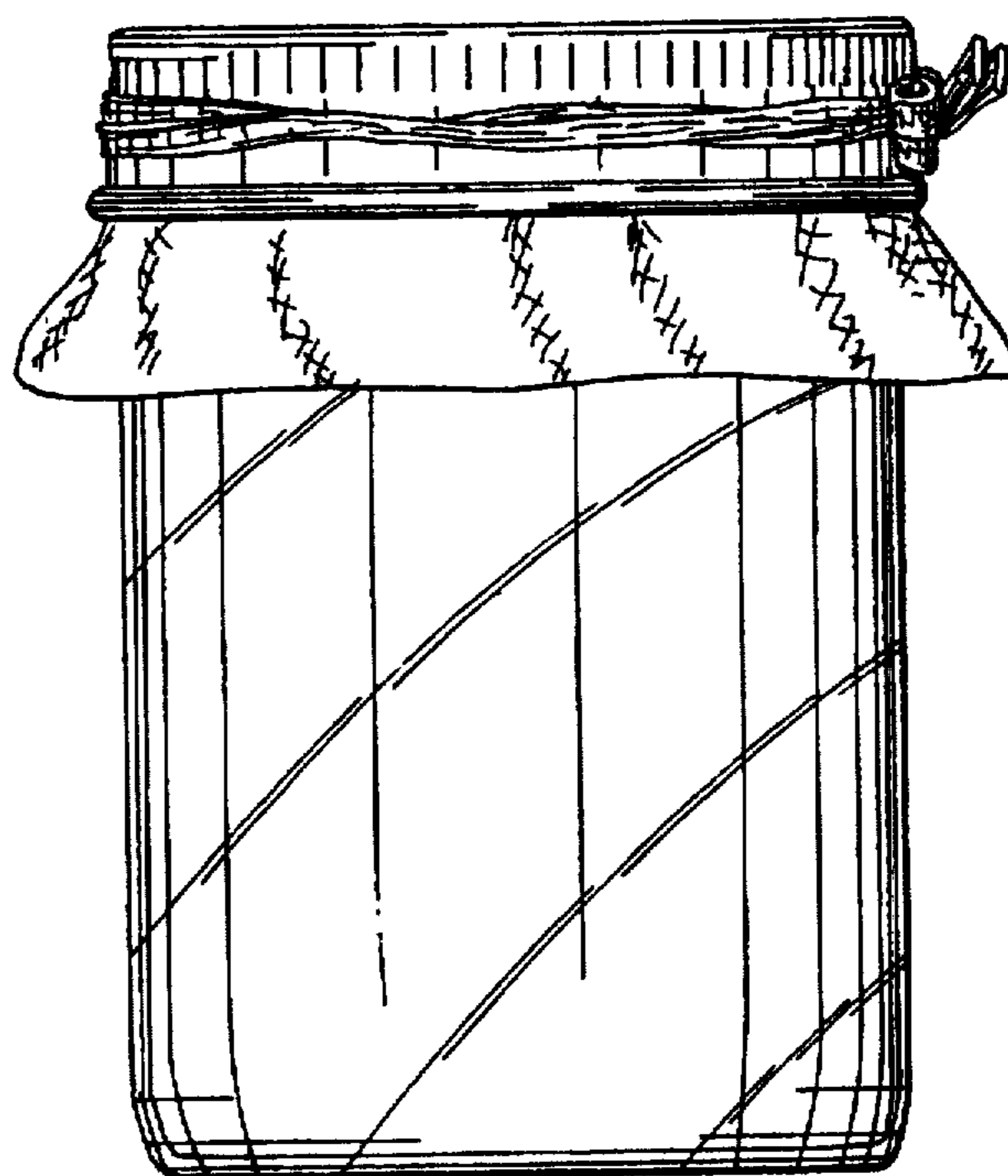


Fig. 4

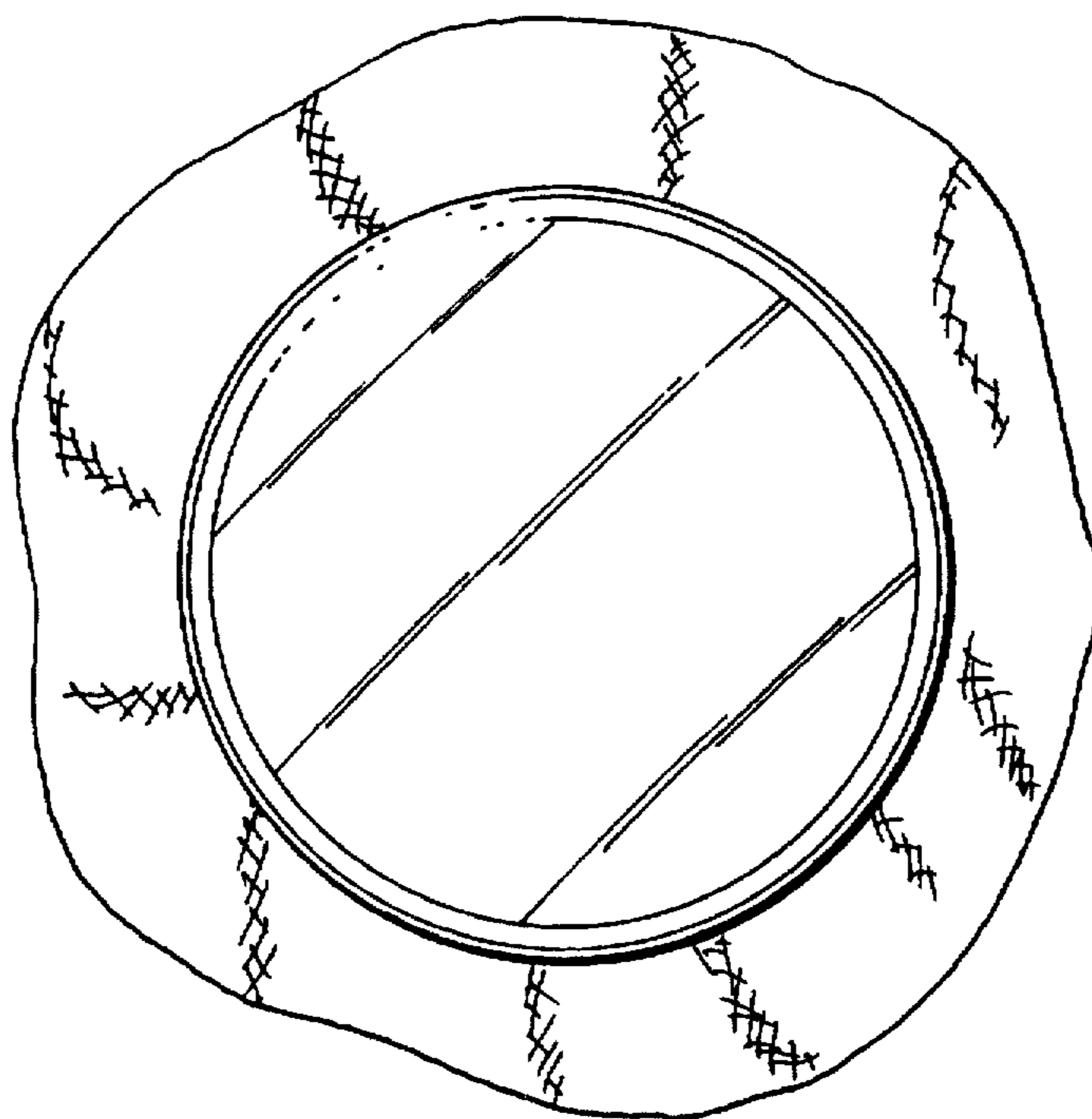


Fig. 5

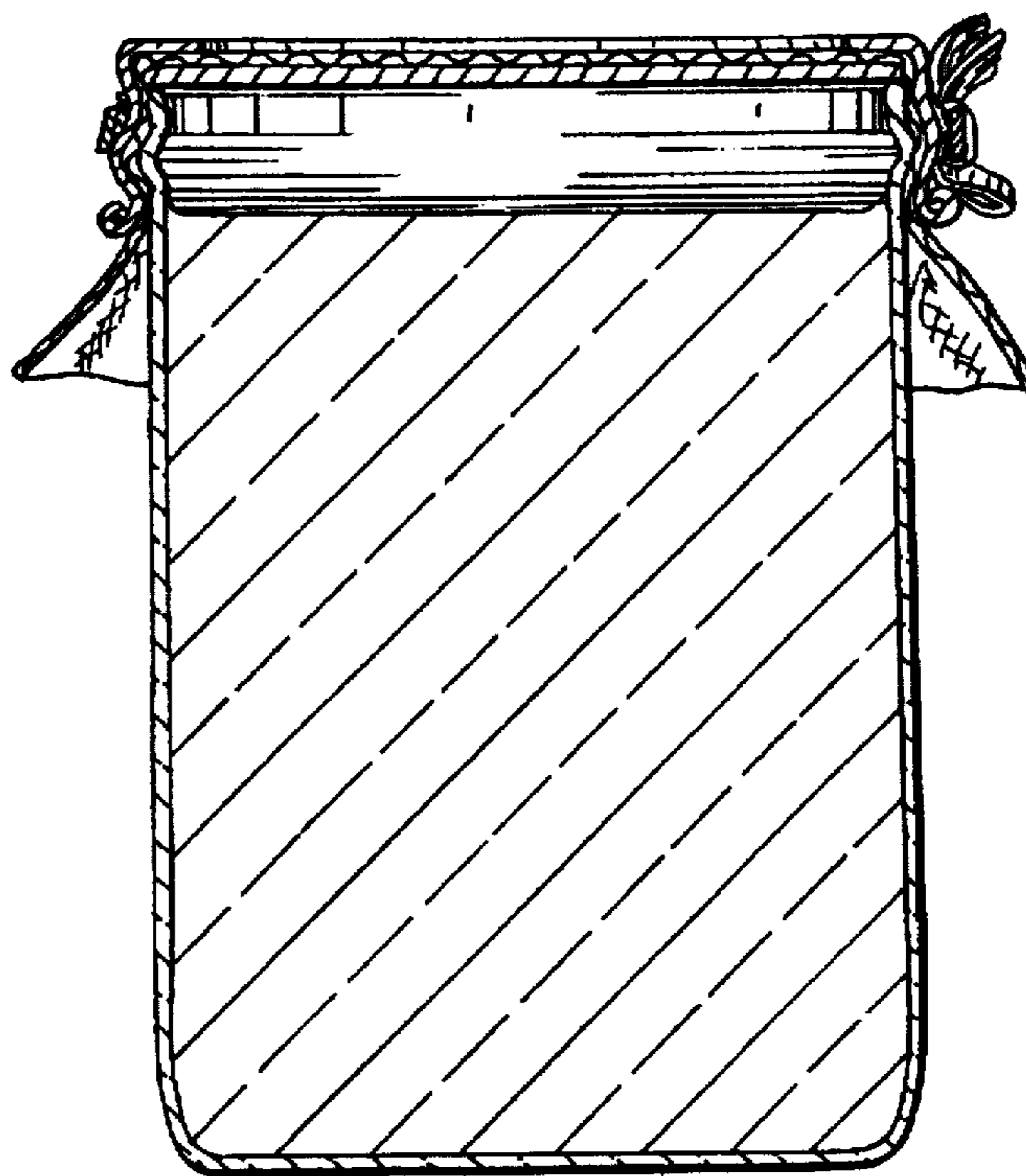


Fig. 6