

US00D389902S

United States Patent [19]
Jones et al.

[11] **Patent Number: Des. 389,902**
[45] **Date of Patent: **Jan. 27, 1998**

[54] **TOILET**

[75] **Inventors: Sherry L. Jones, Pataskala; Sean Svendsen, Columbus, both of Ohio**

[73] **Assignee: American Standard, Inc., Piscataway, N.J.**

[**] **Term: 14 Years**

[21] **Appl. No.: 63,033**

[22] **Filed: Nov. 22, 1996**

[51] **LOC (6) Cl. 23-02**

[52] **U.S. Cl. D23/301**

[58] **Field of Search D23/295, 274, D23/288, 299, 301; 4/353, 421, 424, 428, 430, 864**

[56] **References Cited**

U.S. PATENT DOCUMENTS

D. 269,634	7/1983	Pica et al.	D23/301
D. 296,817	7/1988	Holschel	D23/301
D. 331,959	12/1992	Huang	D23/301
D. 379,217	5/1997	Kerpoet	D23/295
D. 379,405	5/1997	Shillington	D23/295

Primary Examiner—Louis S. Zarfaz

Assistant Examiner—Eric Watterson

Attorney, Agent, or Firm—Ann M. Knab; Elaine Brenner Robinson

[57] **CLAIM**

The ornamental design for a toilet, as shown and described.

DESCRIPTION

FIG. 1 is a perspective view of a toilet showing our new design;

FIG. 2 is a left side elevational view thereof, the right side view being a mirror image of the left side;

FIG. 3 is a front elevational view thereof;

FIG. 4 is a bottom plan view thereof;

FIG. 5 is a top plan view thereof;

FIG. 6 is a rear elevational view thereof;

FIG. 7 is a perspective view of a toilet showing another embodiment of our new design;

FIG. 8 is a left side perspective view of FIG. 7, the right side view being a mirror image of the left side;

FIG. 9 is a front elevational view of FIG. 7;

FIG. 10 is a bottom plan view of FIG. 7;

FIG. 11 is a top plan view of FIG. 7;

FIG. 12 is a rear elevational view of FIG. 7;

FIG. 13 is a perspective view of a toilet showing another embodiment of our new design;

FIG. 14 is a left side perspective view of FIG. 13, the right side view being a mirror image of the left side;

FIG. 15 is a front elevational view of FIG. 13;

FIG. 16 is a bottom plan view of FIG. 13;

FIG. 17 is a top plan view of FIG. 13;

FIG. 18 is a rear elevational view of FIG. 13;

FIG. 19 is a perspective view of a toilet showing another embodiment of our new design;

FIG. 20 is a left side perspective view of FIG. 19, the right side view being a mirror image of the left side;

FIG. 21 is a front elevational view of FIG. 19;

FIG. 22 is a bottom plan view of FIG. 19;

FIG. 23 is a top plan view of FIG. 19; and,

FIG. 24 is a rear elevational view of FIG. 19.

1 Claim, 8 Drawing Sheets

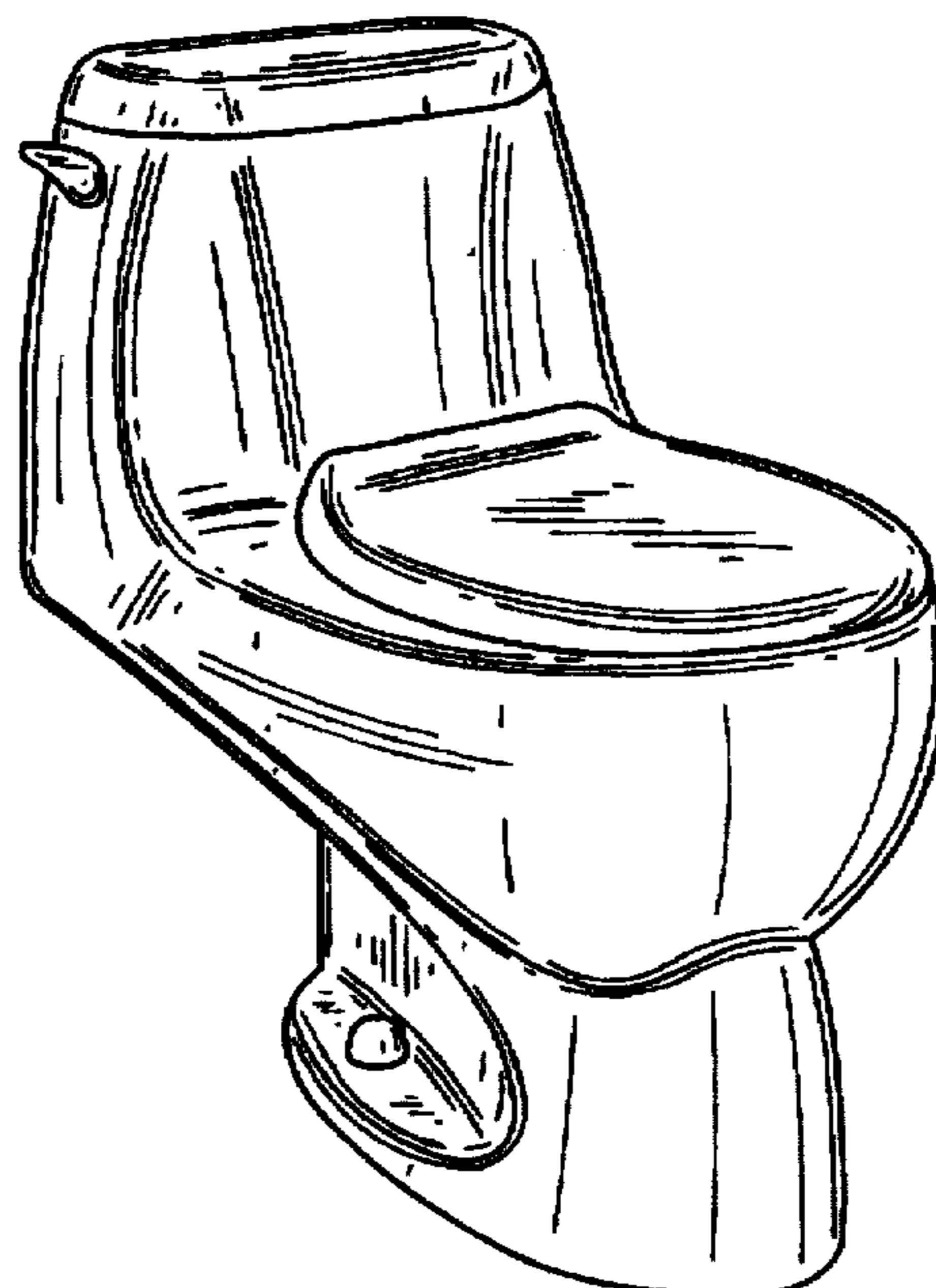


FIG. 1

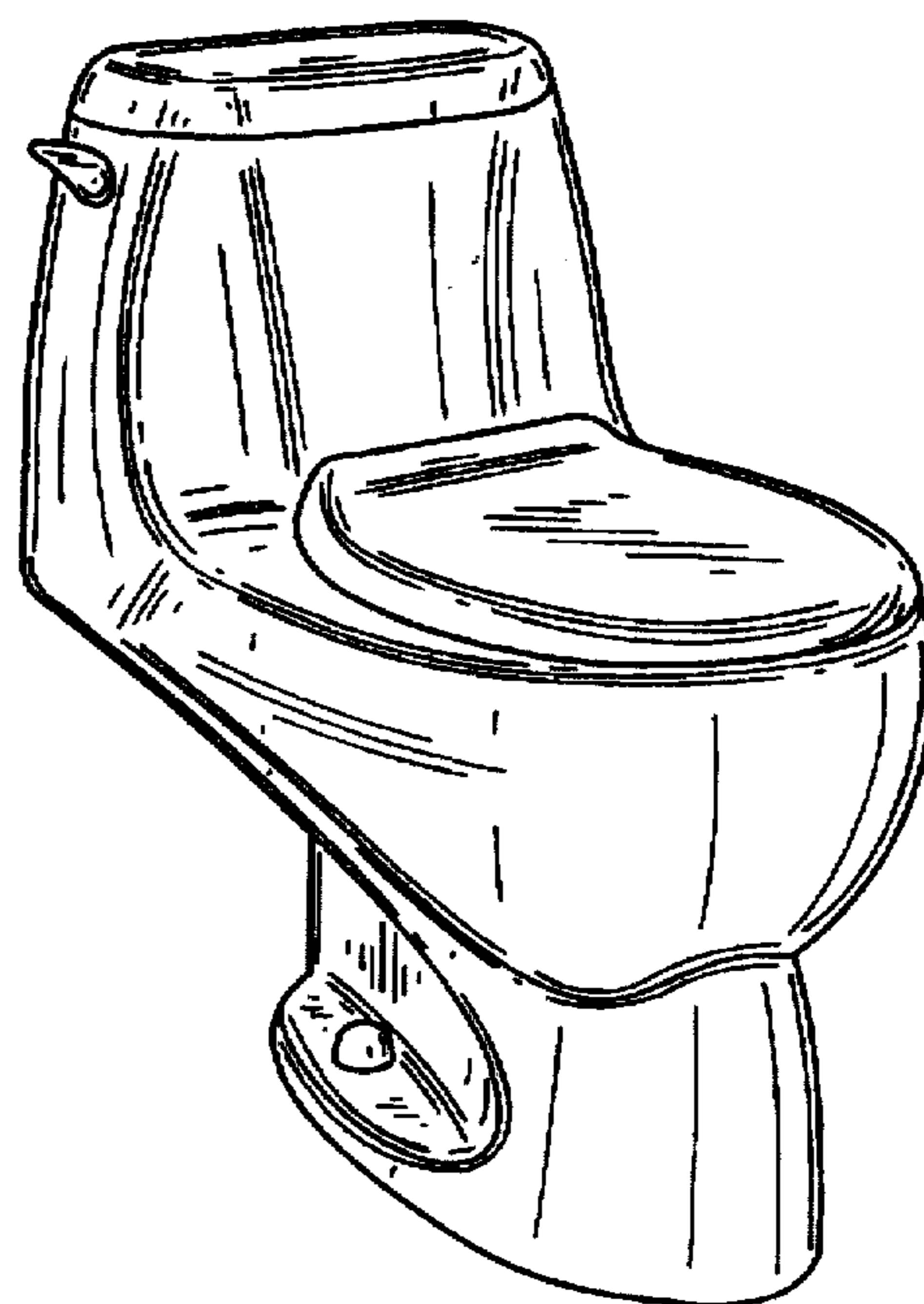


FIG. 2

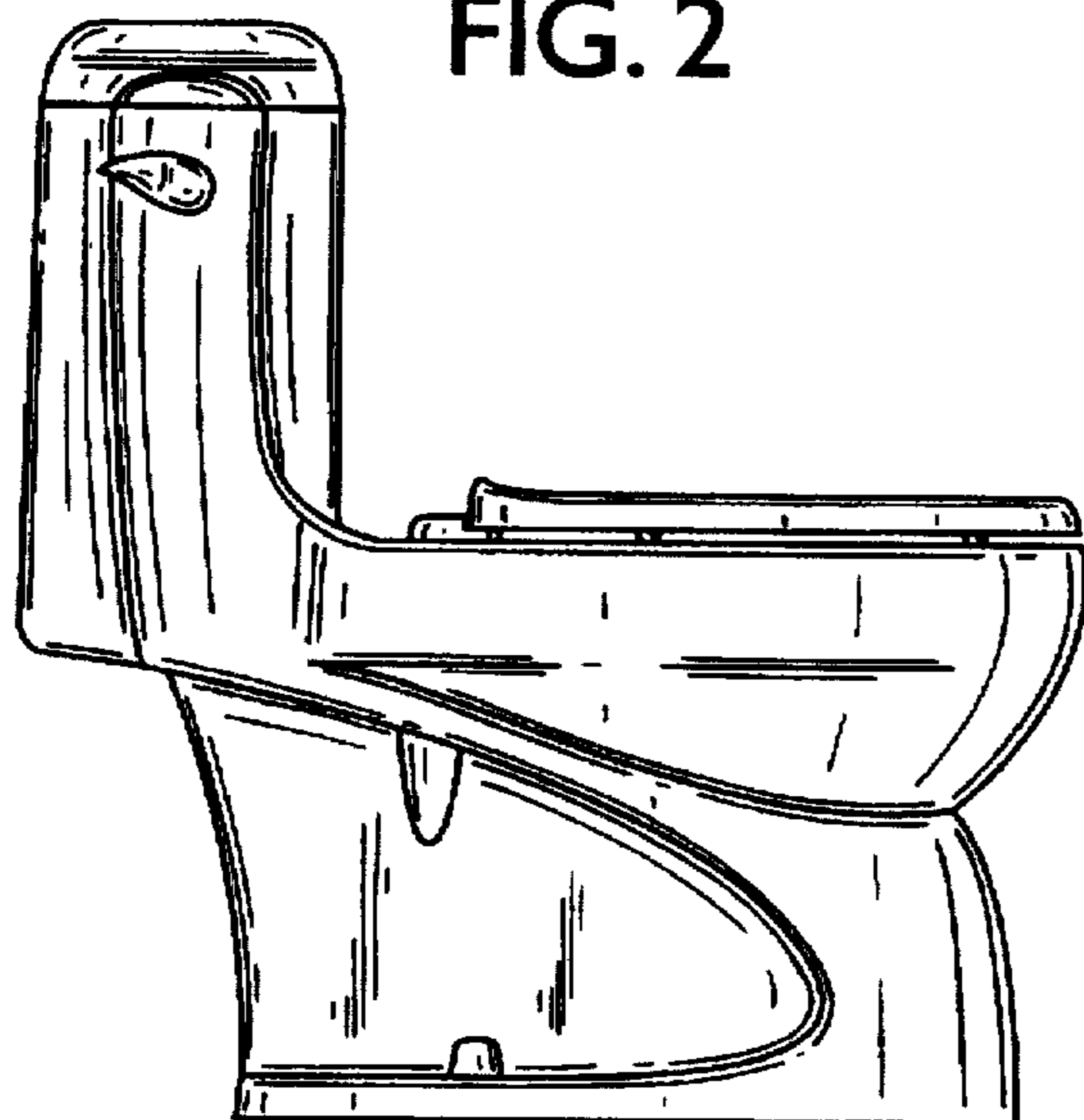


FIG. 3

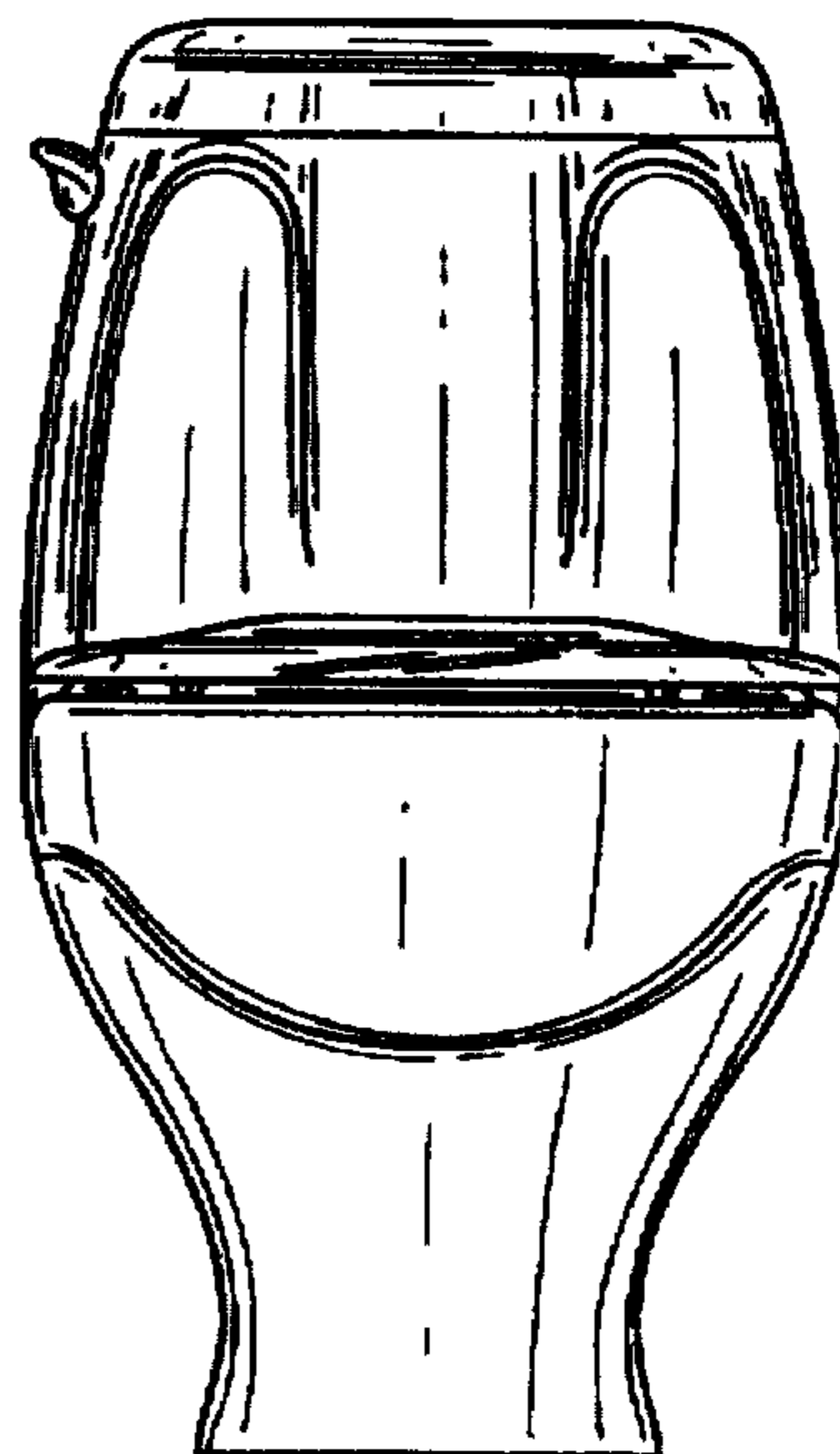


FIG. 4

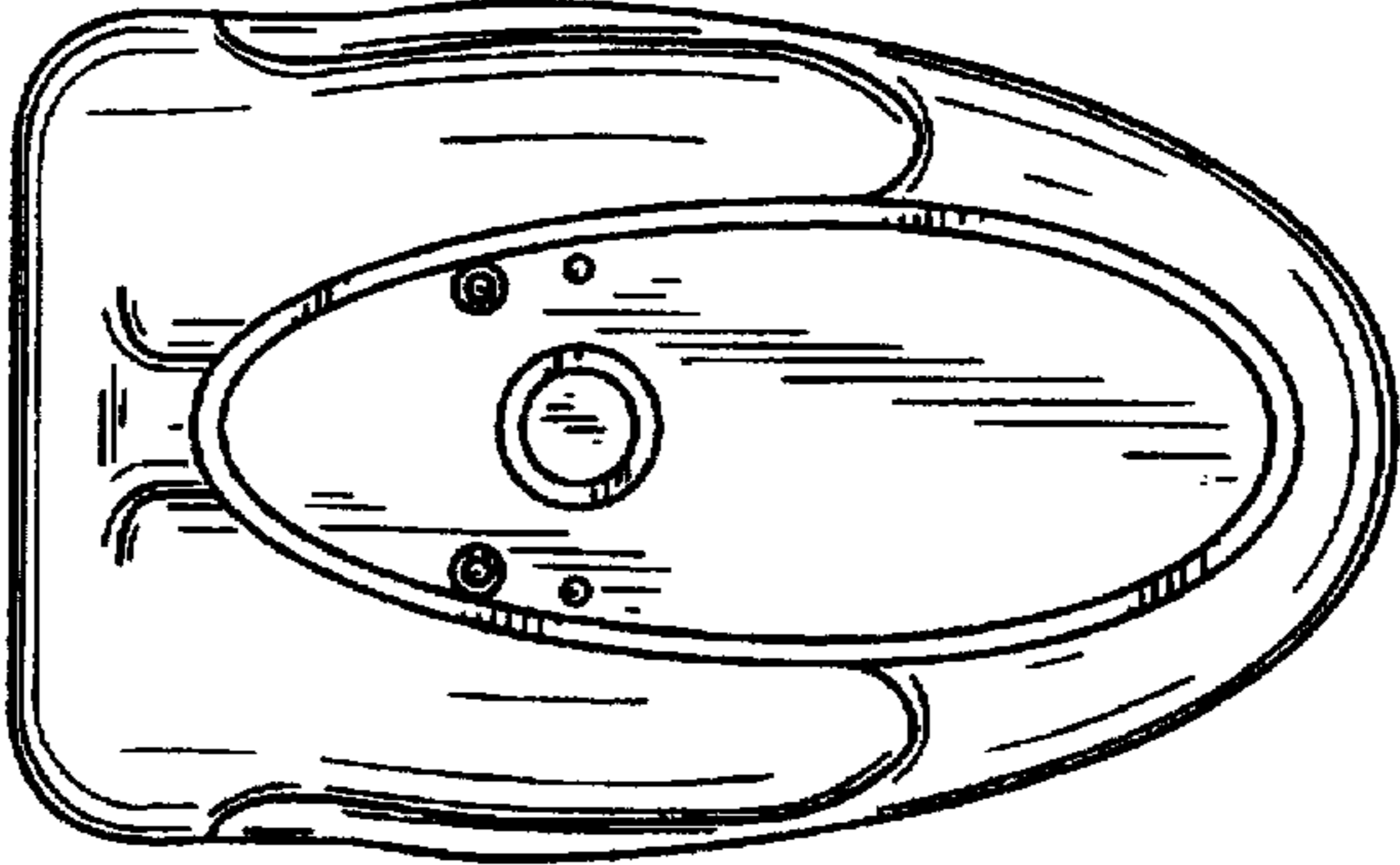


FIG. 5

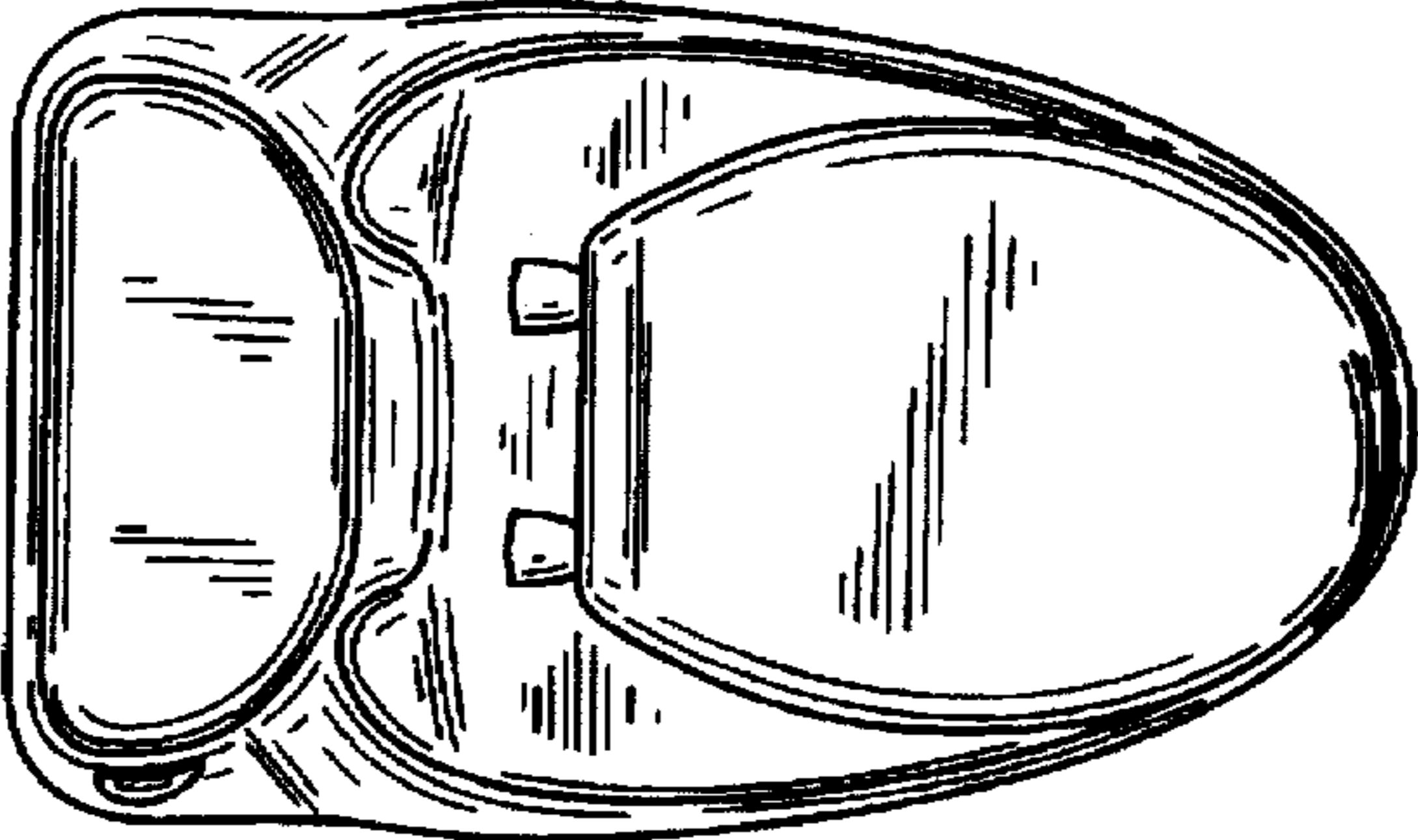


FIG. 6

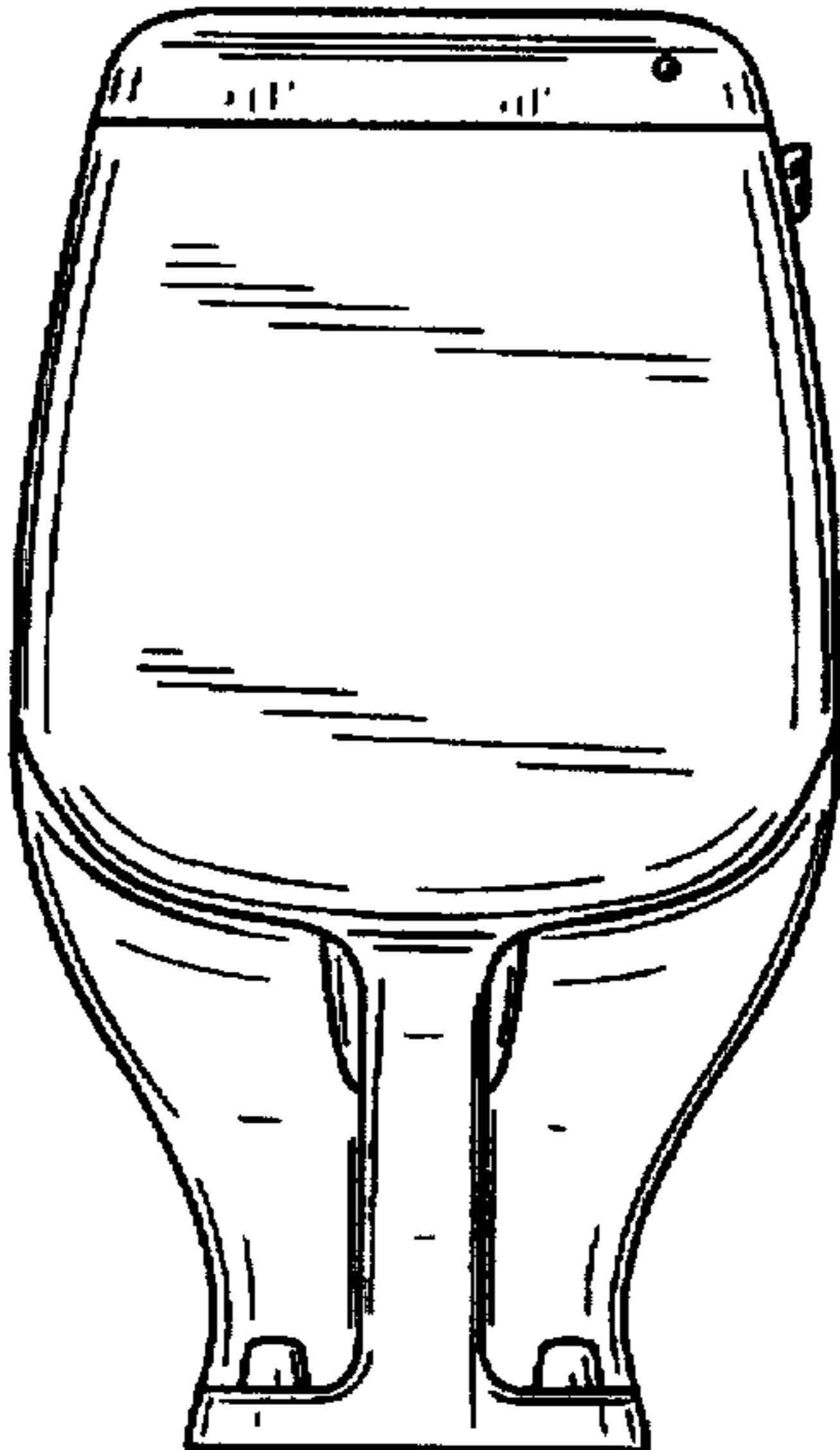


FIG. 7

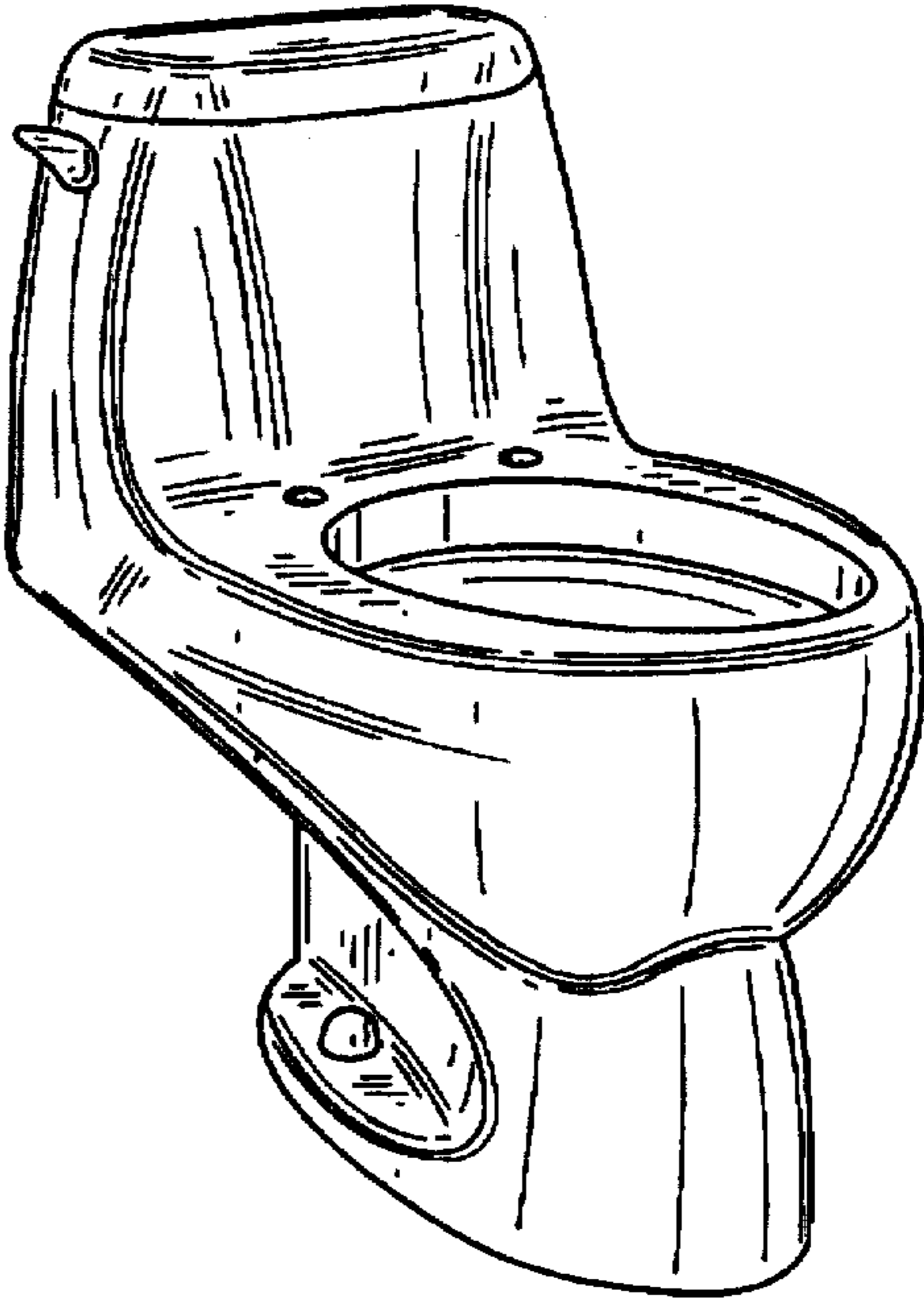


FIG. 8

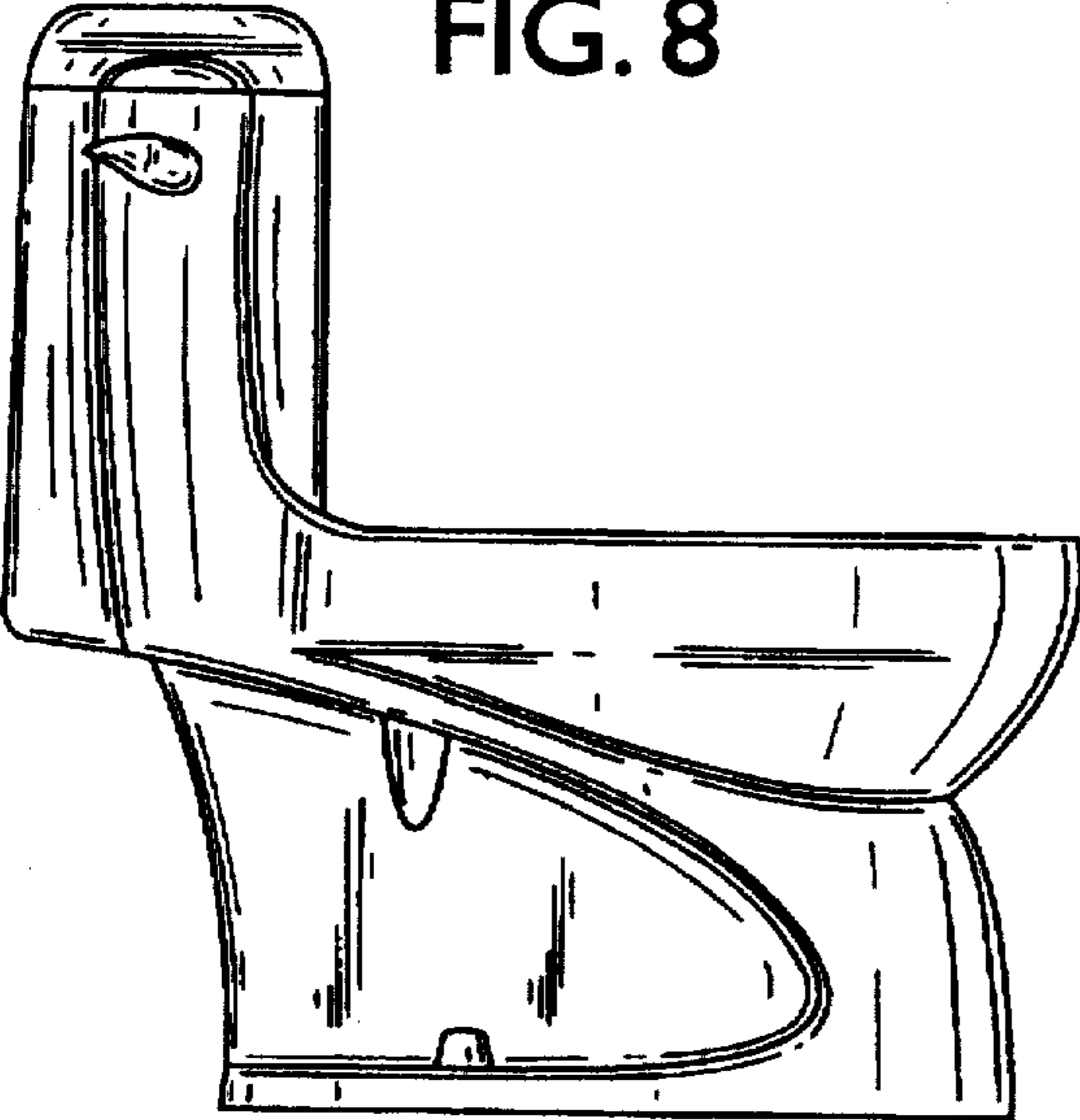


FIG. 9

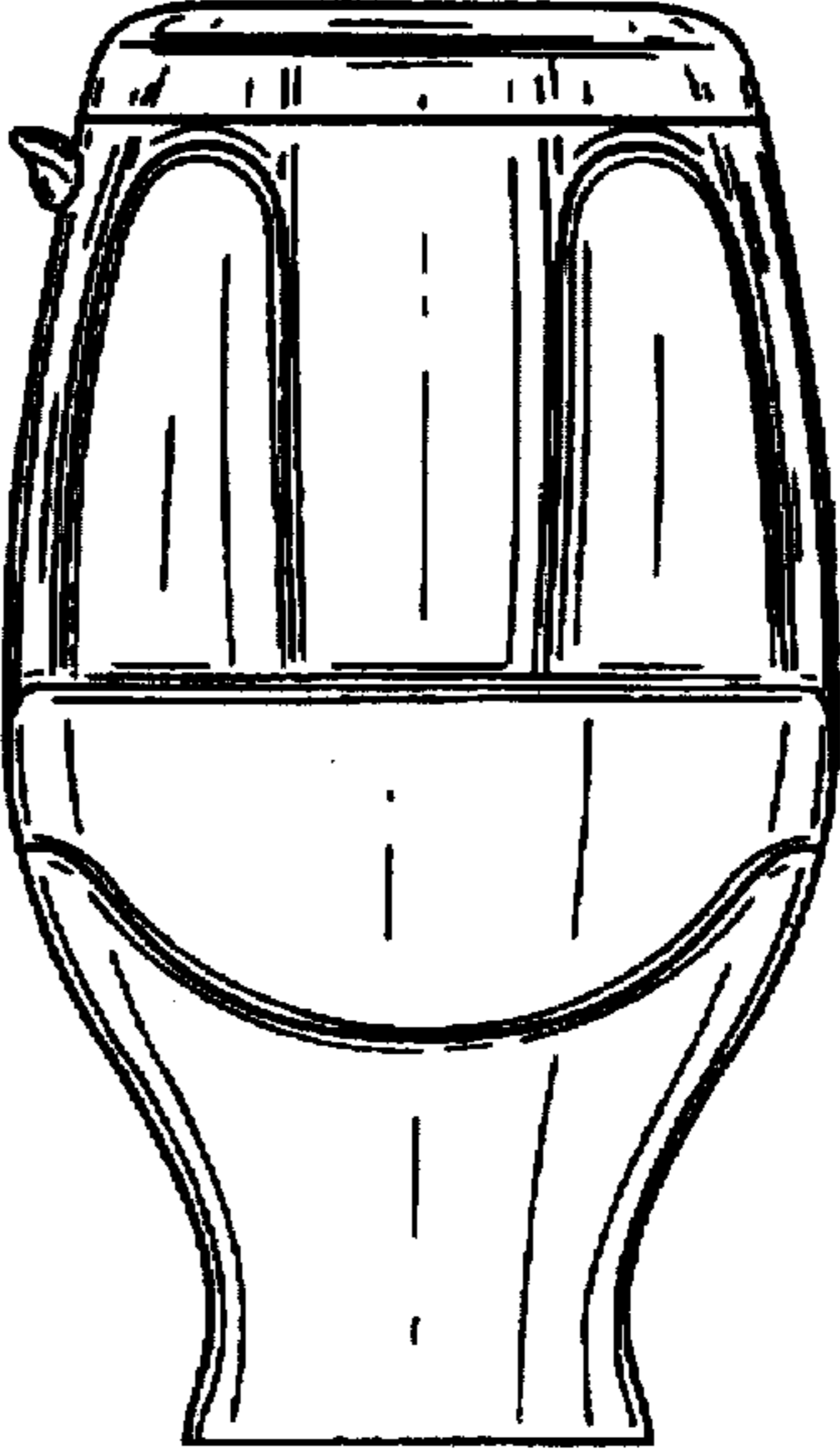


FIG. 10

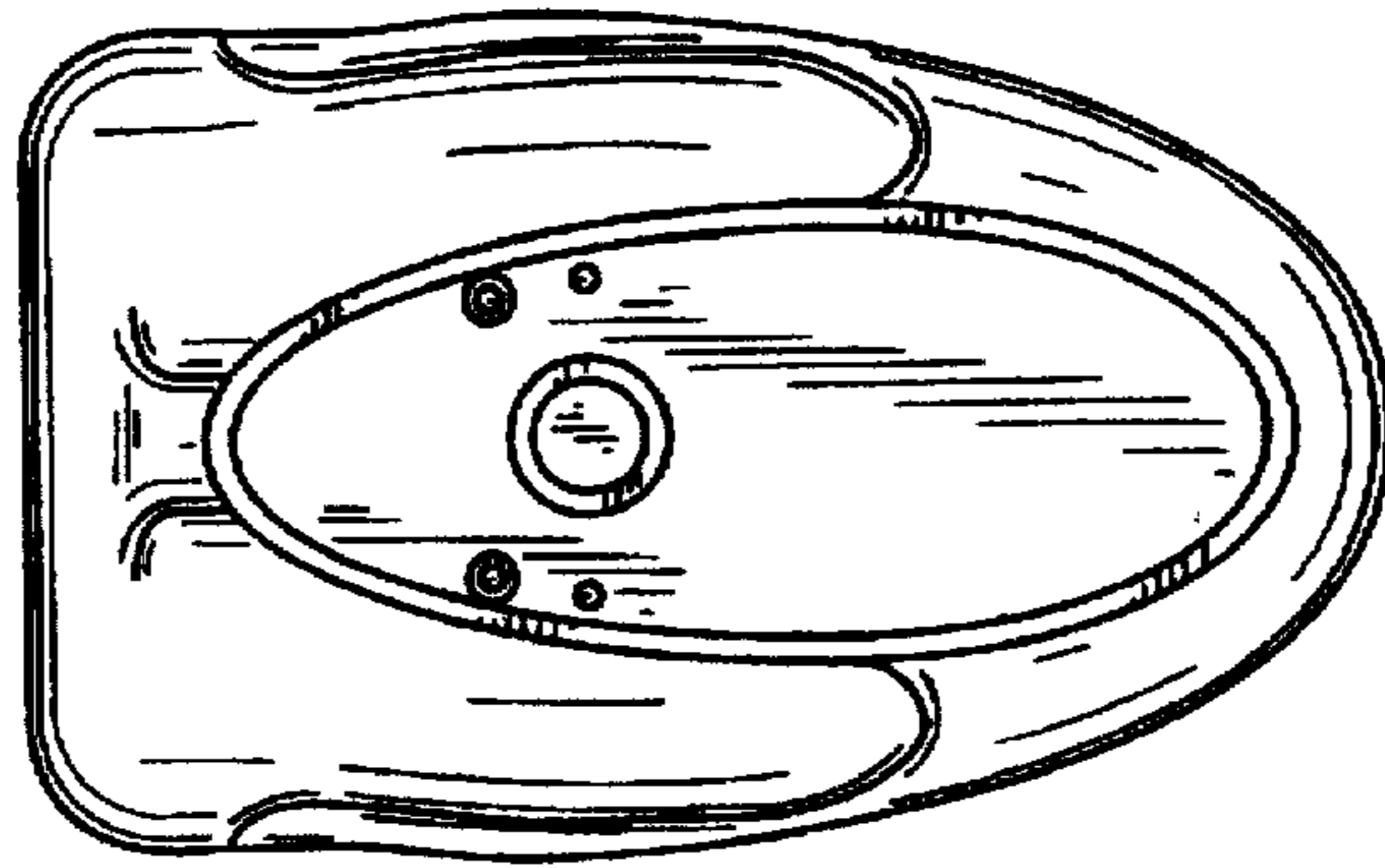


FIG. 11

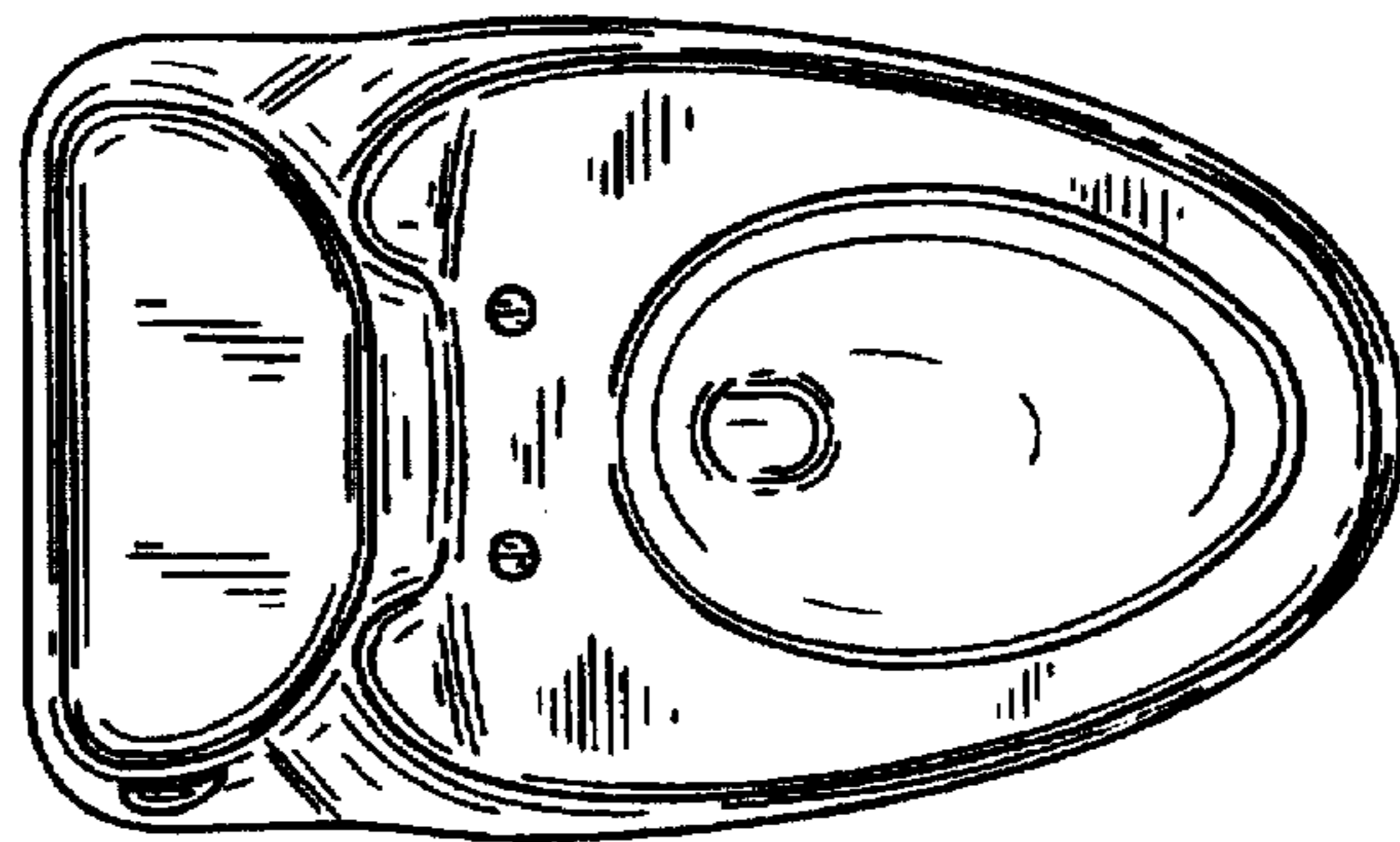


FIG. 12

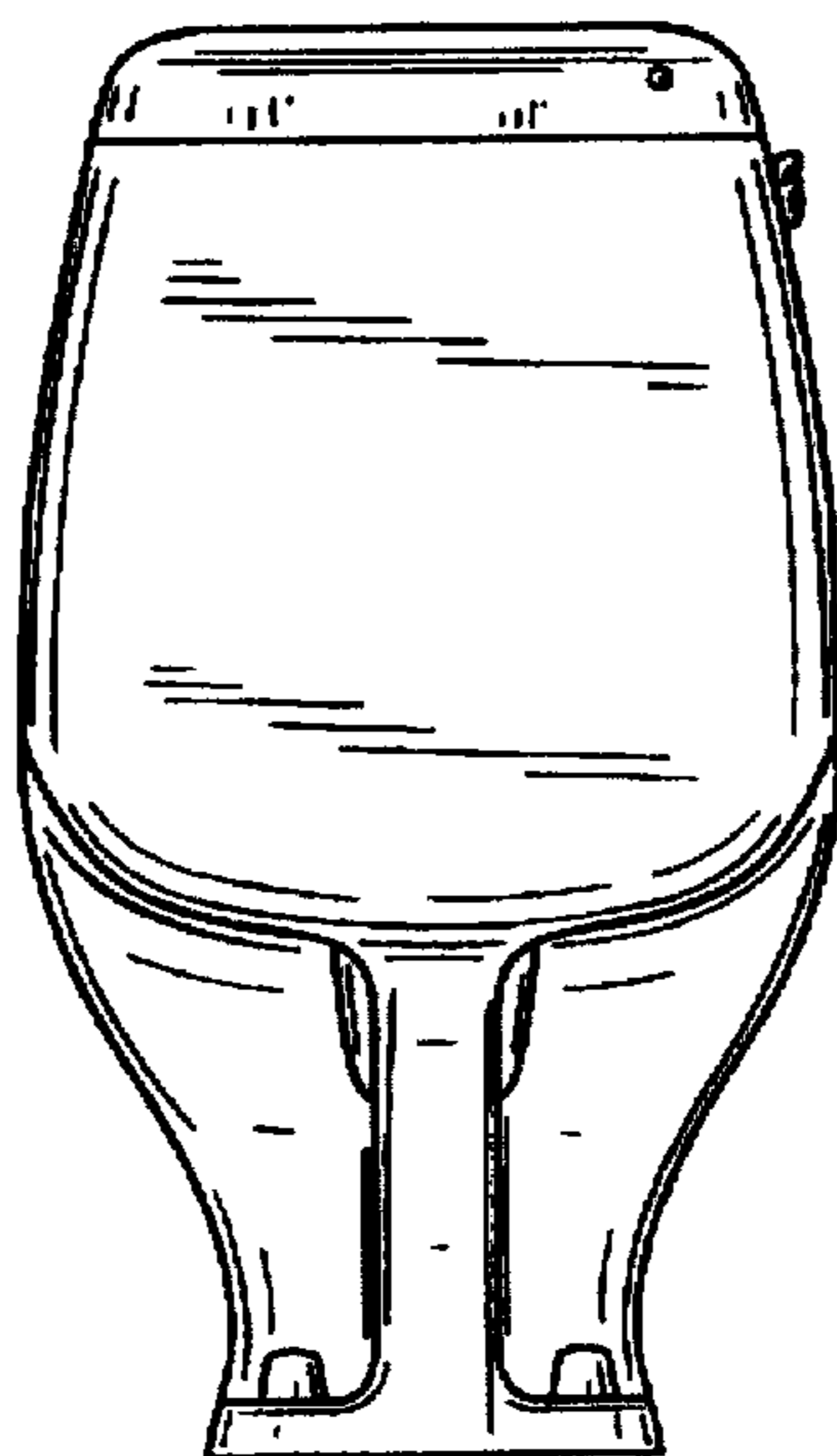


FIG. 13

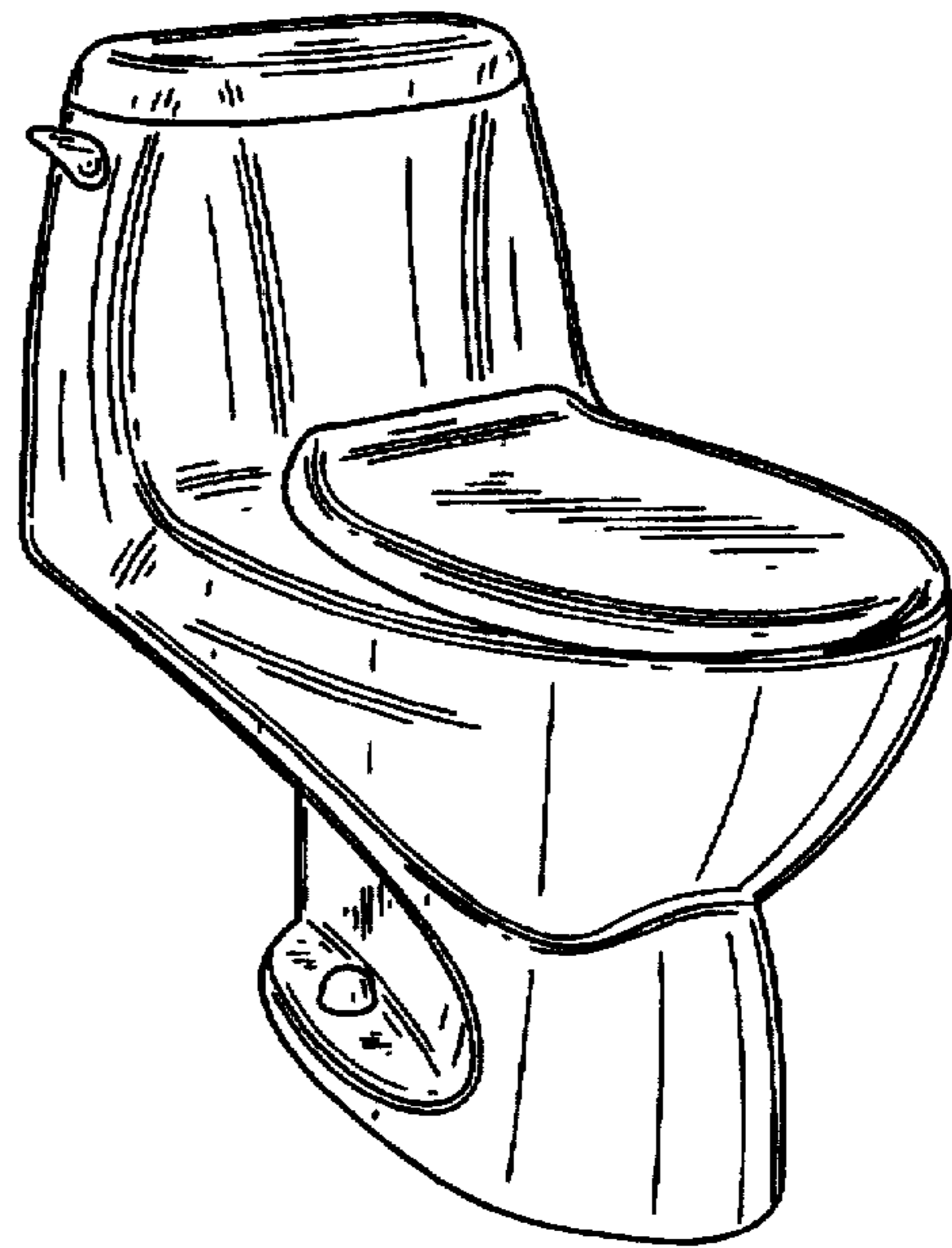


FIG. 14

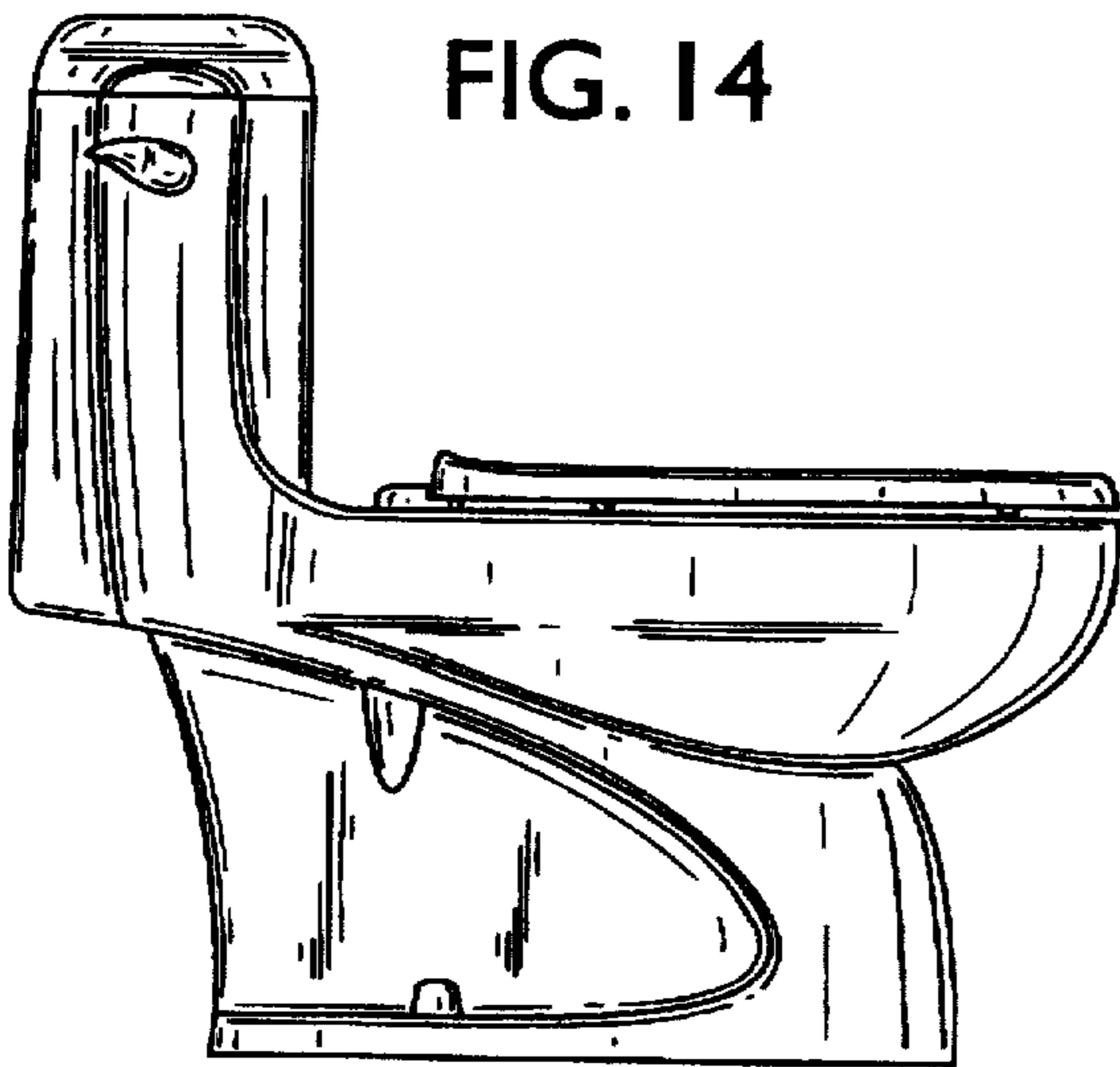


FIG. 15

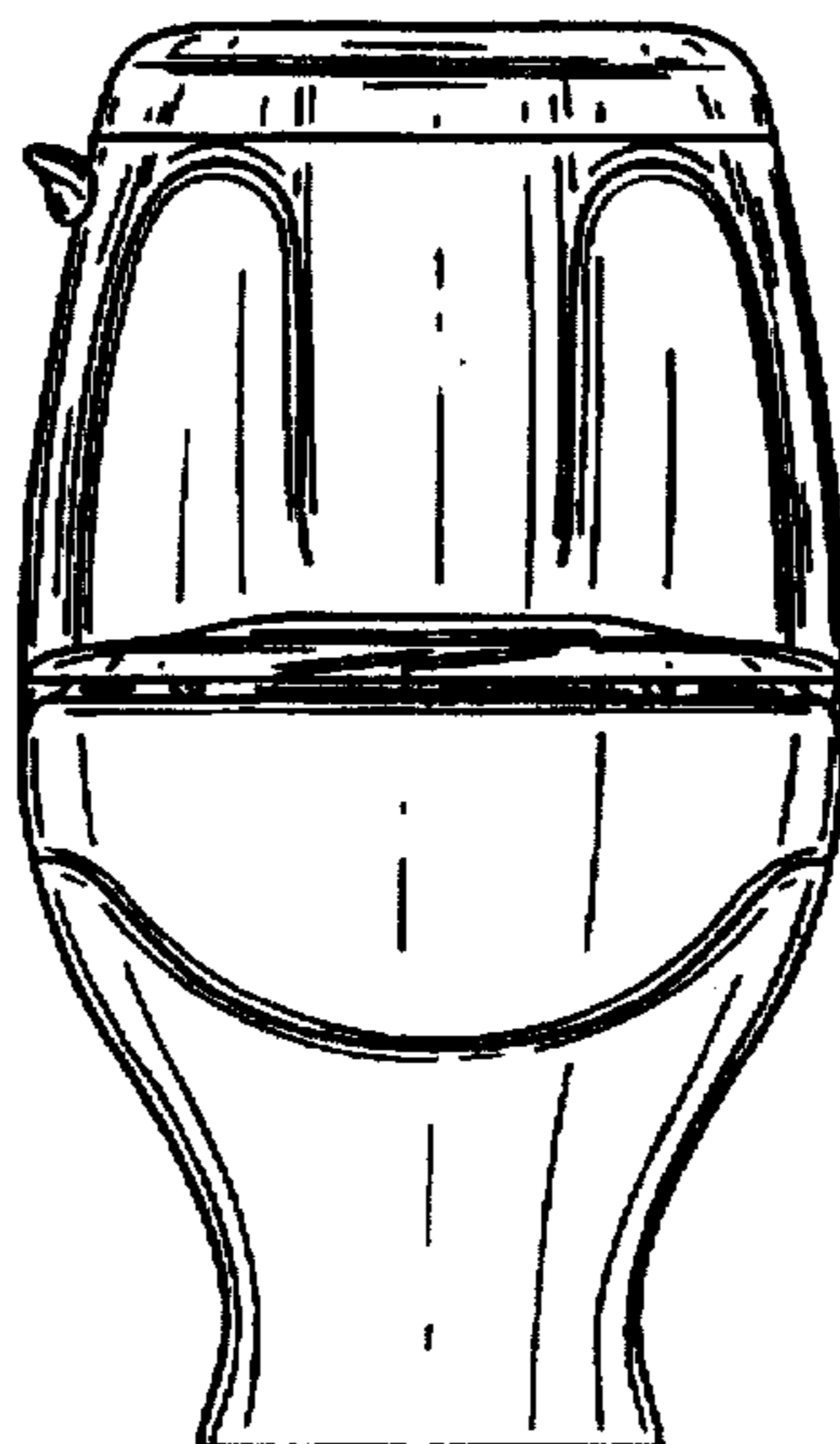


FIG. 16

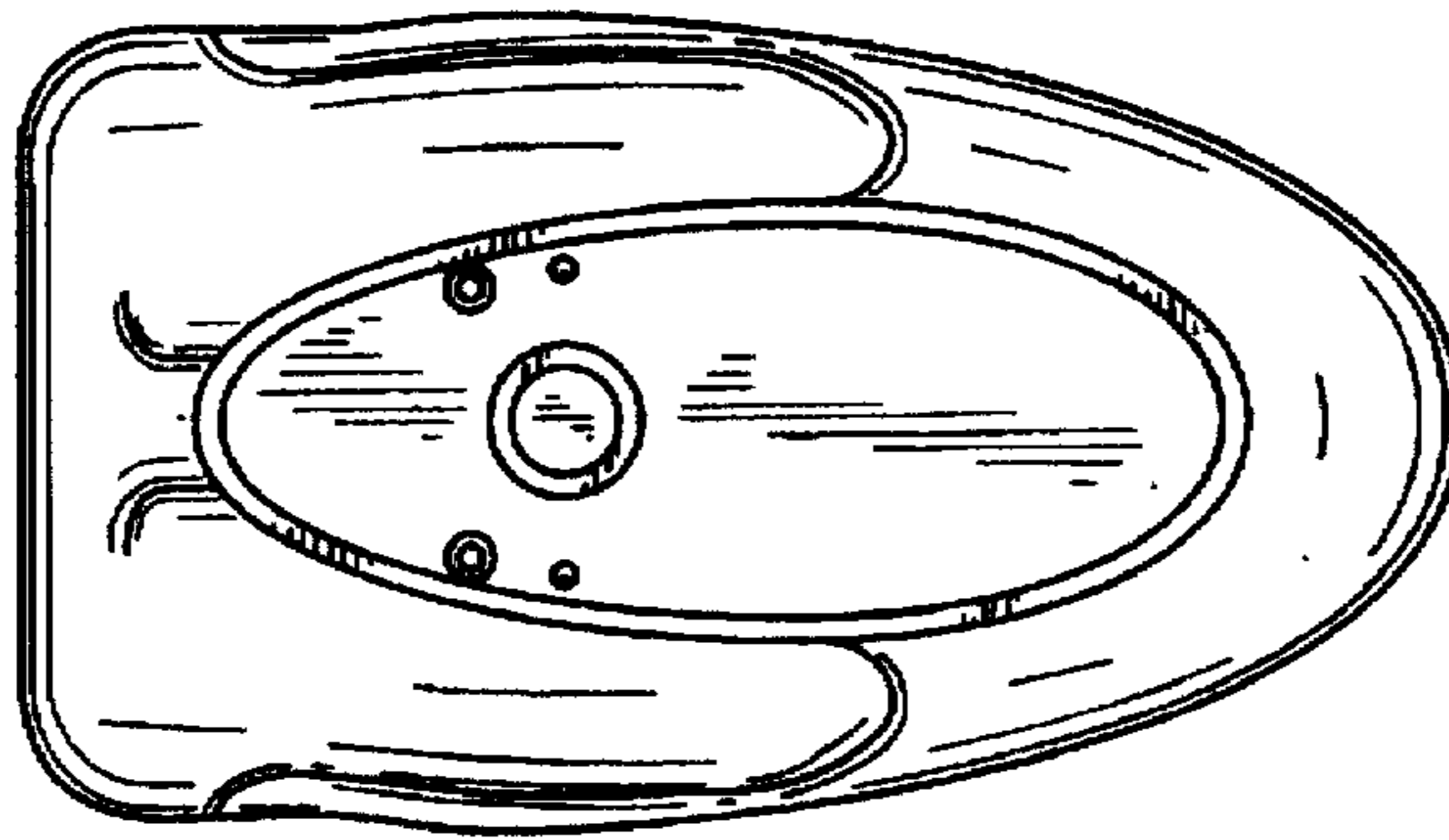


FIG. 17

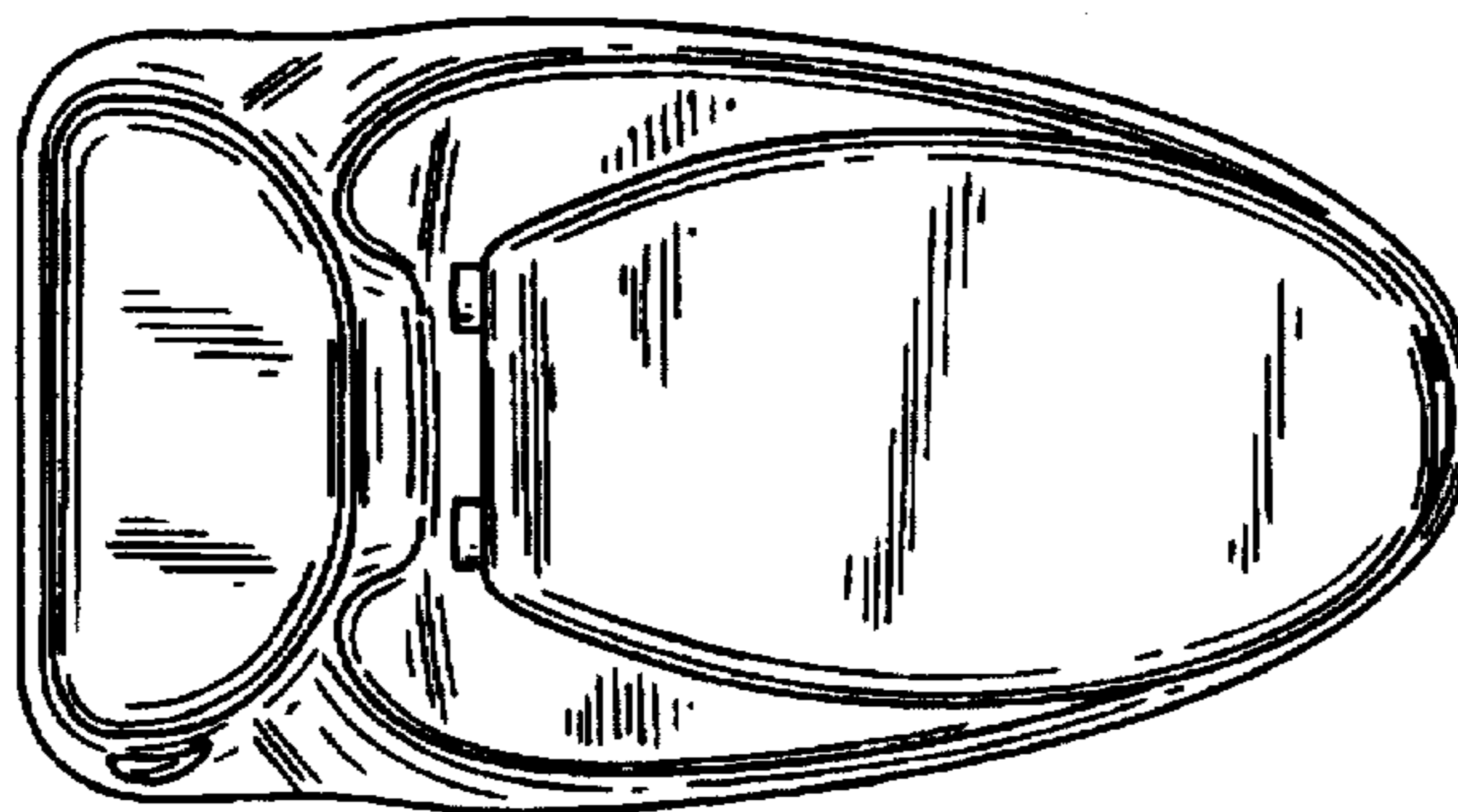


FIG. 18

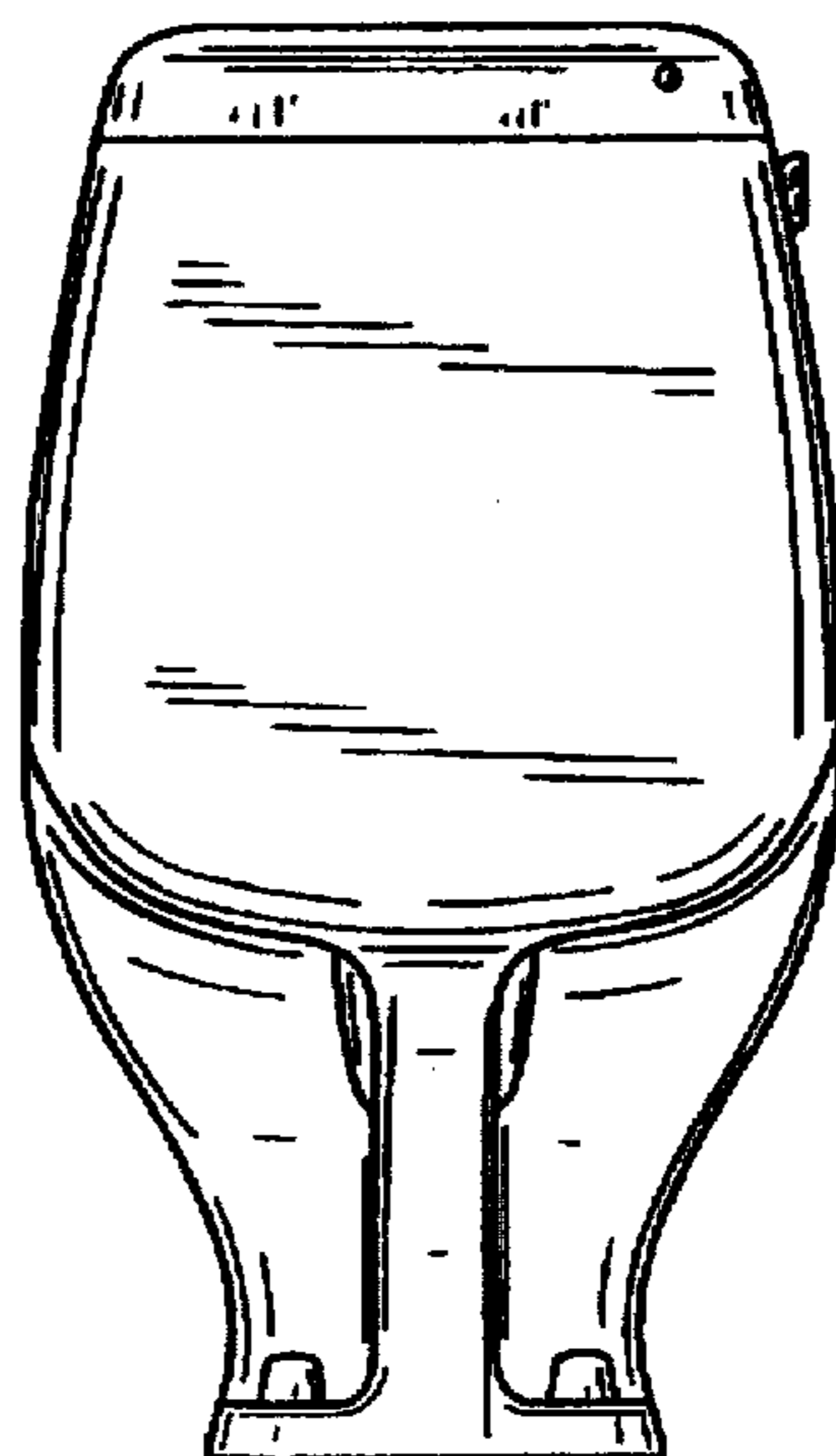


FIG. 19

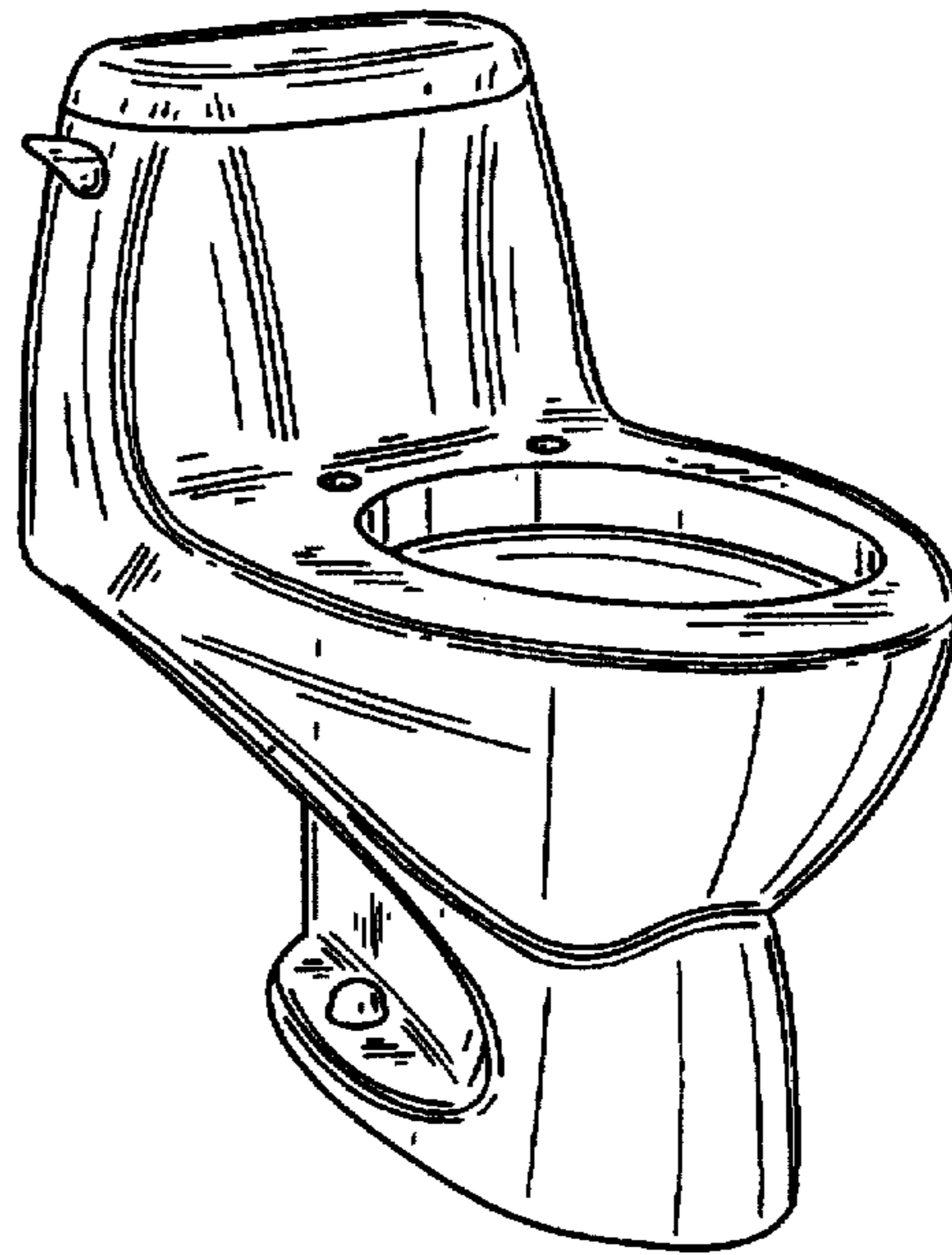


FIG. 20

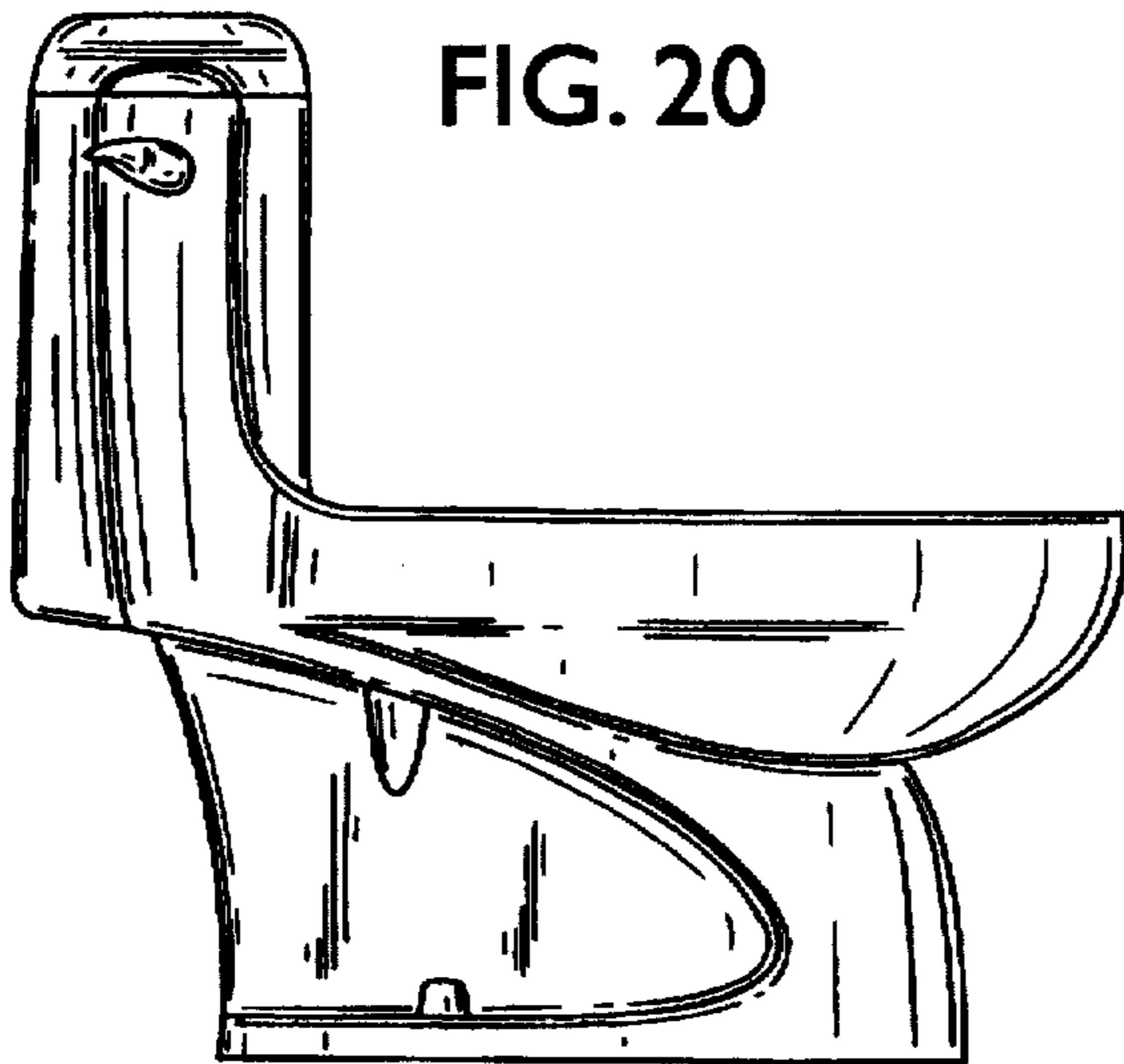


FIG. 21

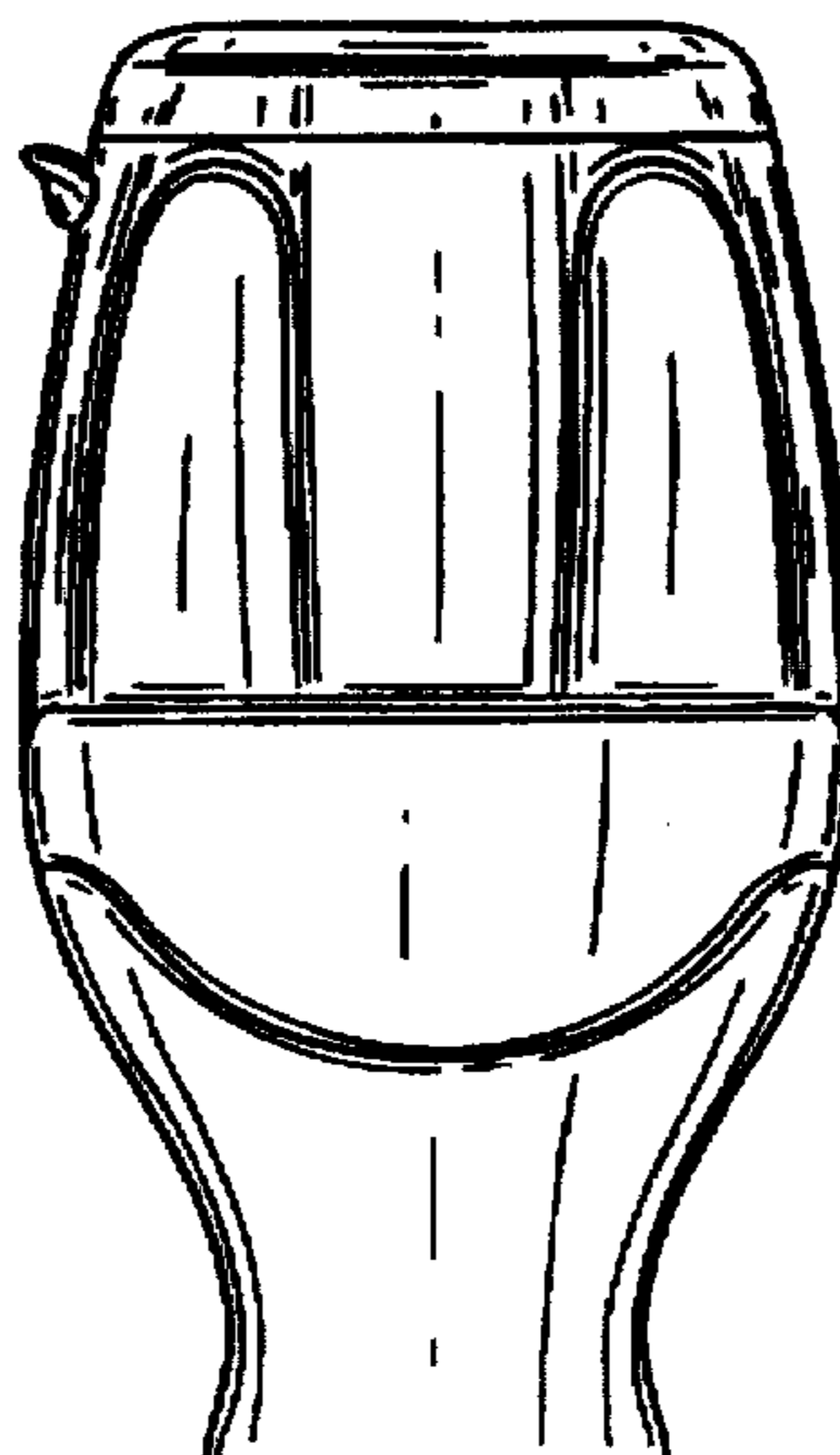


FIG. 22

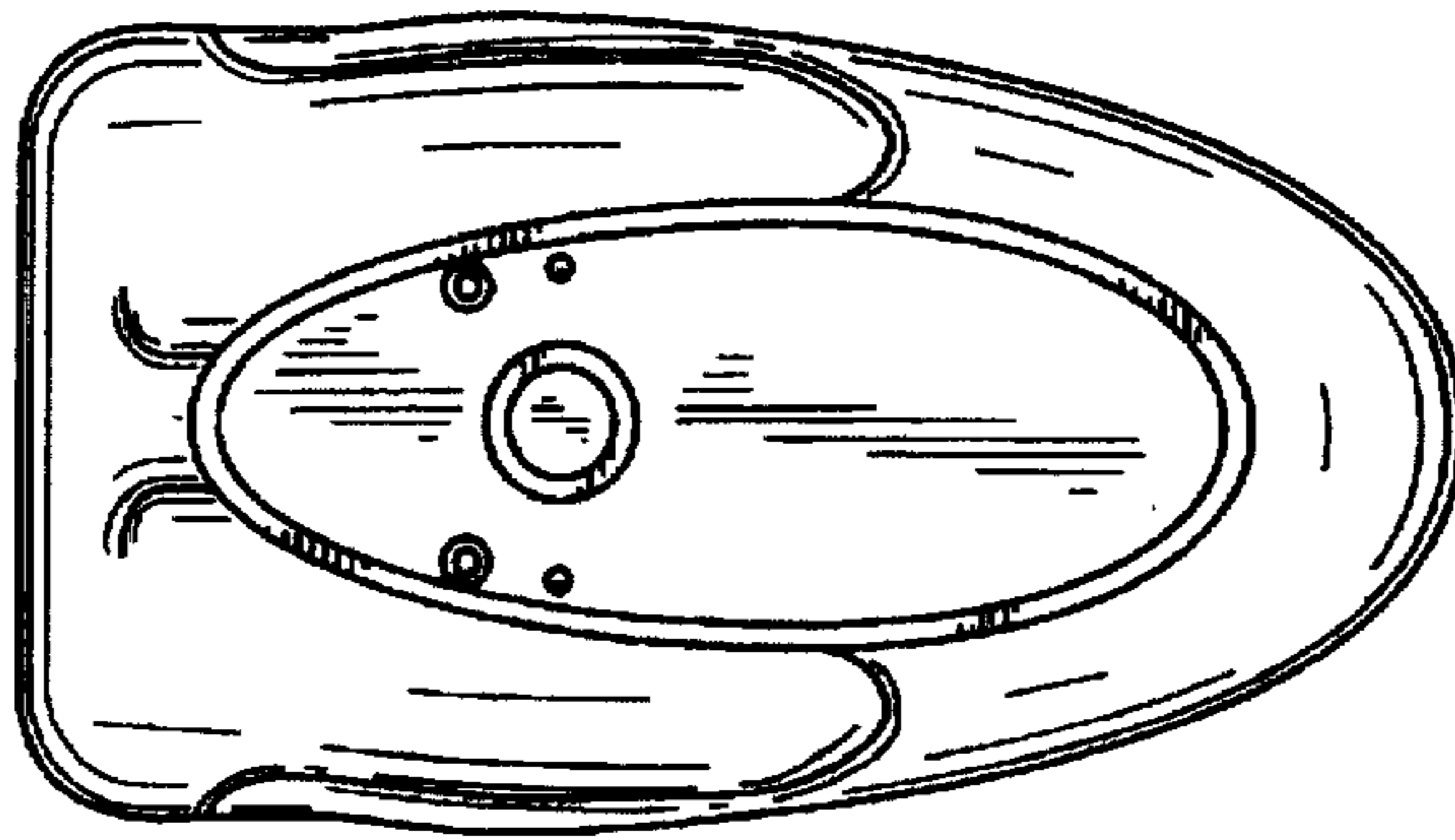


FIG. 23

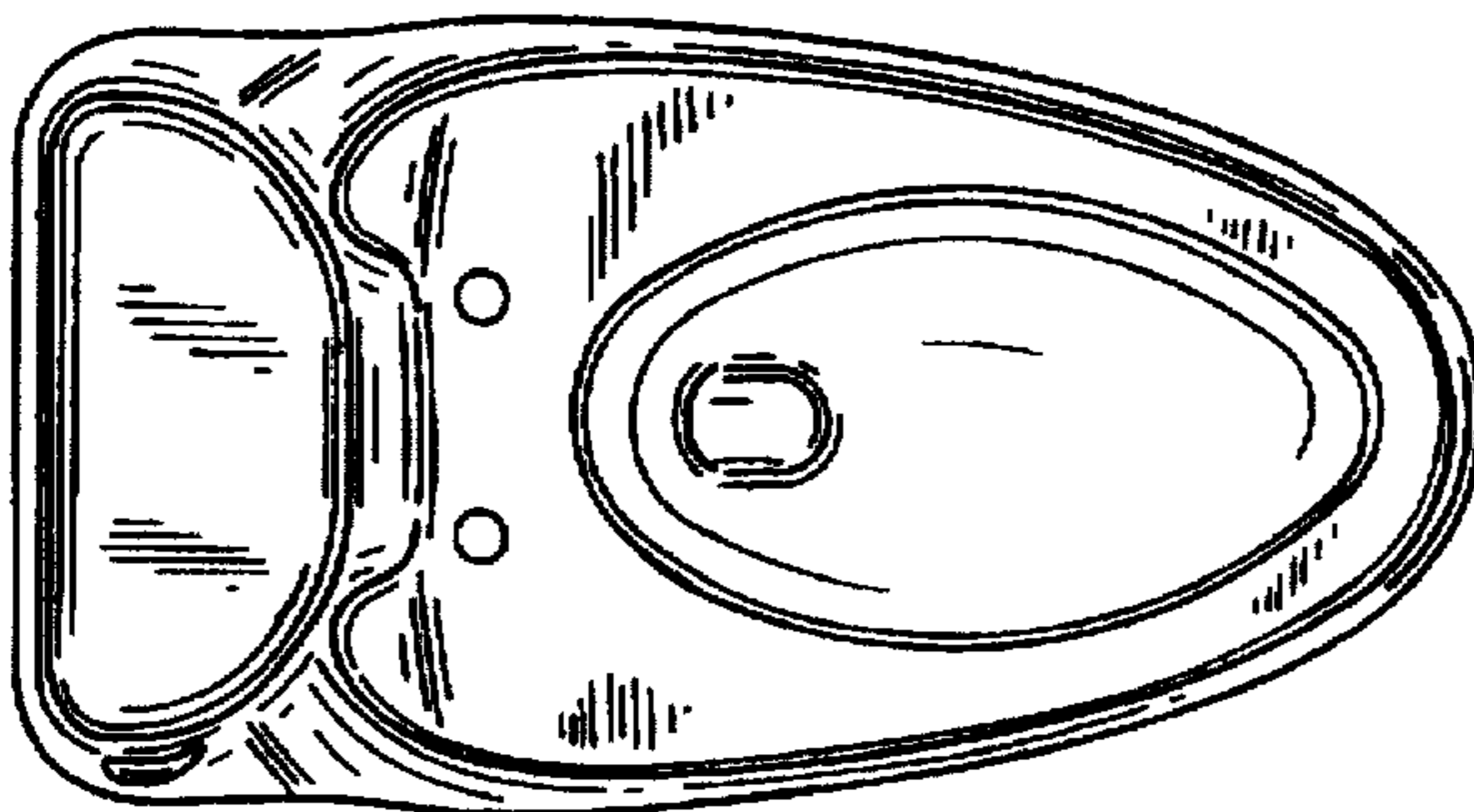


FIG. 24

