



US00D389901S

United States Patent [19]

Kohler, Jr. et al.

[11] Patent Number: **Des. 389,901**

[45] Date of Patent: ****Jan. 27, 1998**

[54] LAVATORY

[75] Inventors: **Herbert V. Kohler, Jr.**, Kohler; **Mary J. Reid**, Sheboygan; **Theresa J. Millard**; **James M. Neiman**, both of Sheboygan Falls, all of Wis.

[73] Assignee: **Kohler Co.**, Kohler, Wis.

[**] Term: **14 Years**

[21] Appl. No.: **49,415**

[22] Filed: **Jan. 24, 1996**

[51] LOC (6) Cl. **23-02**

[52] U.S. Cl. **D23/284**

[58] Field of Search D23/284-283.1;
4/619, 624, 625, 626, 638-650

[56] References Cited

U.S. PATENT DOCUMENTS

- D. 186,301 10/1959 Hurwitz D23/285
- D. 222,586 11/1971 Hives D23/58
- D. 242,859 12/1976 Gruber D23/285
- D. 243,325 2/1977 Krose et al. D23/285
- D. 319,682 9/1991 Sharp et al. D23/285

FOREIGN PATENT DOCUMENTS

- 873387 4/1993 Japan D5/24

OTHER PUBLICATIONS

- 1991 Universal Rundle catalog ad, p. 10, showing a hexagon self-rimming lavatory.
- 1992 INAX catalog ad showing an octagonal lavatory.
- 1990 Giorgio catalog ad showing an octagonal lavatory.
- 1990 Kohler catalog ad, p. 13-11, showing a "Terragon" lavatory.

Primary Examiner—Louis S. Zarfes
Assistant Examiner—Eric Watterson
Attorney, Agent, or Firm—Quarles & Brady

[57] CLAIM

The ornamental design for a lavatory, as shown and described.

DESCRIPTION

FIG. 1 is a top, front perspective view of a lavatory embodying our new design;
 FIG. 2 is a top plan view thereof;
 FIG. 3 is a bottom plan view thereof;
 FIG. 4 is a front elevational view thereof, the rear elevational view being identical to the front side shown;
 FIG. 5 is a left side elevational view thereof, the right side elevational view being identical to the left side shown; and,
 FIG. 6 is a cross-sectional view taken along line 6-6 of FIG. 2.

1 Claim, 3 Drawing Sheets

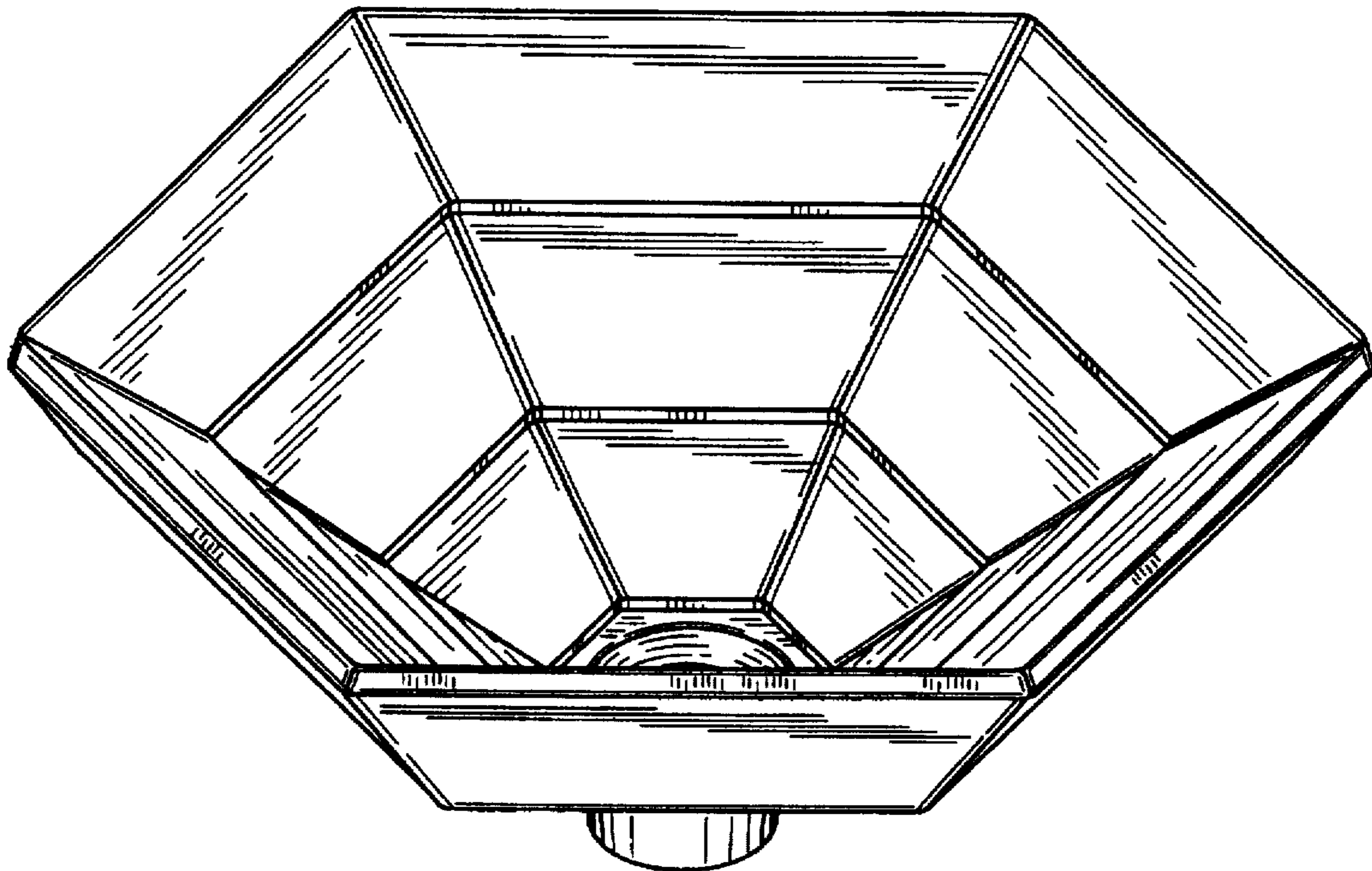


FIG. 1

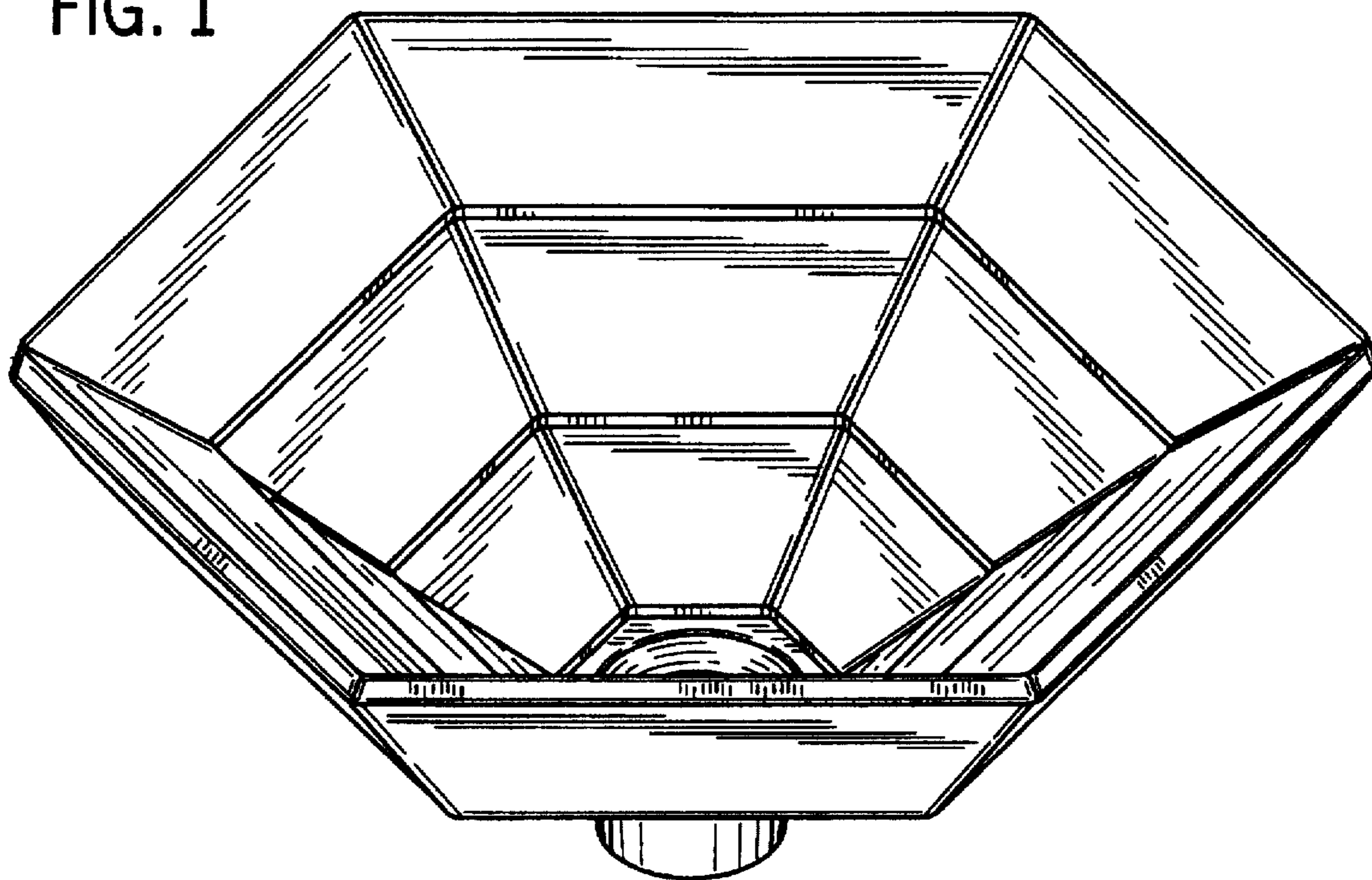


FIG. 6

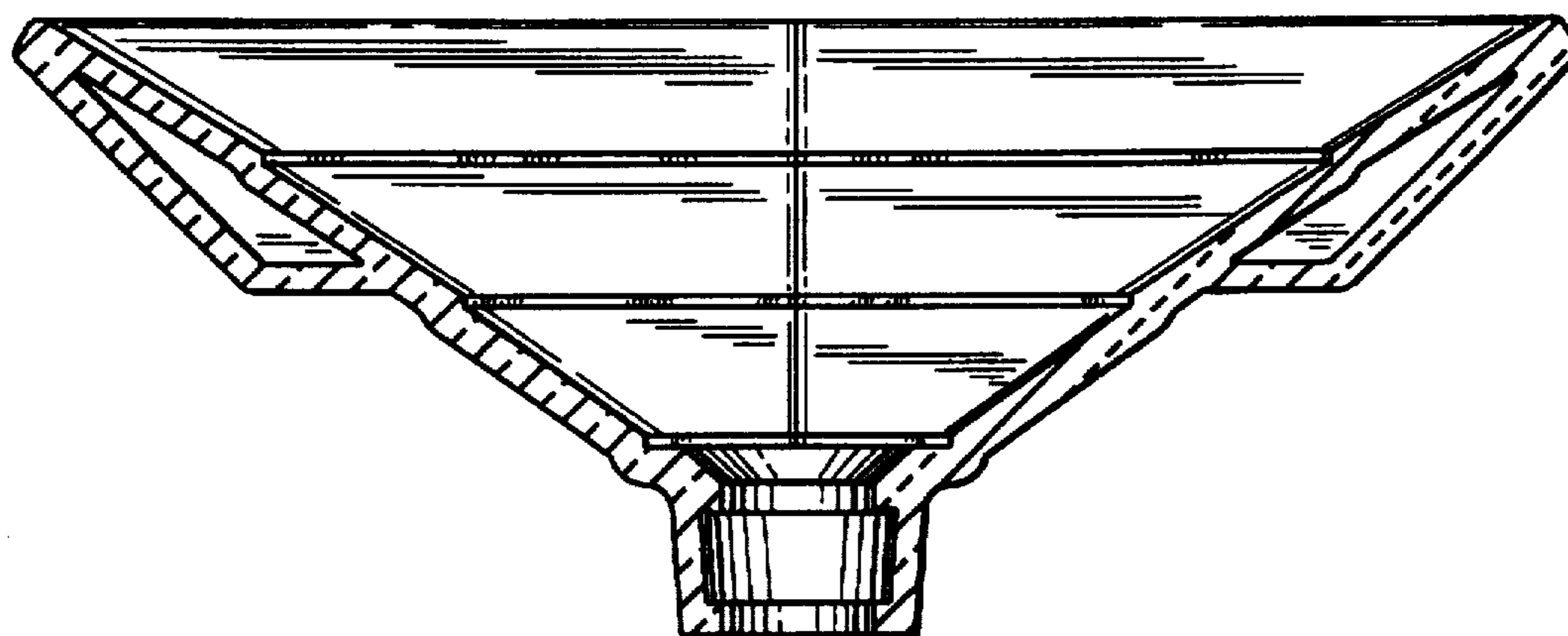


FIG. 2

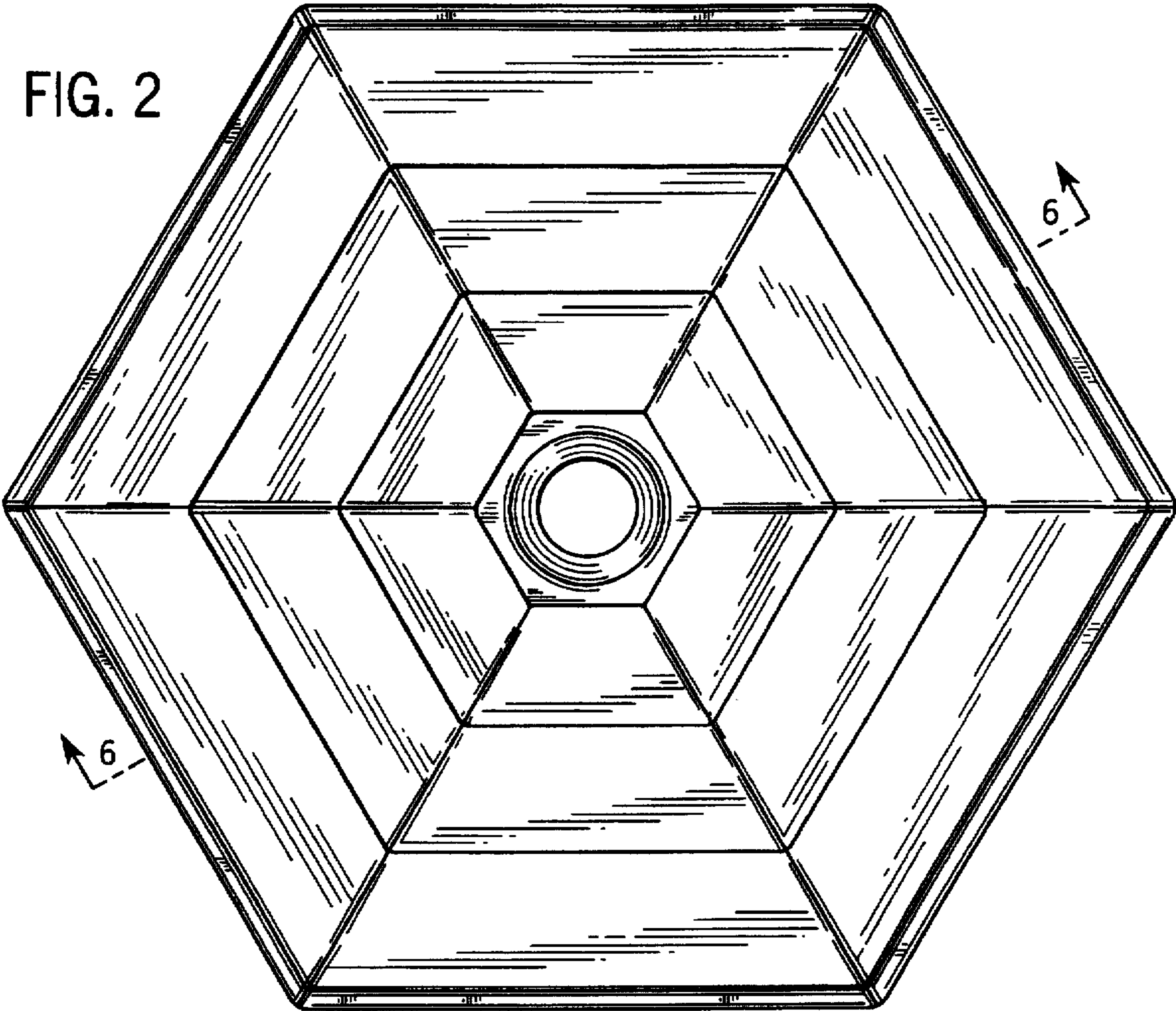


FIG. 4

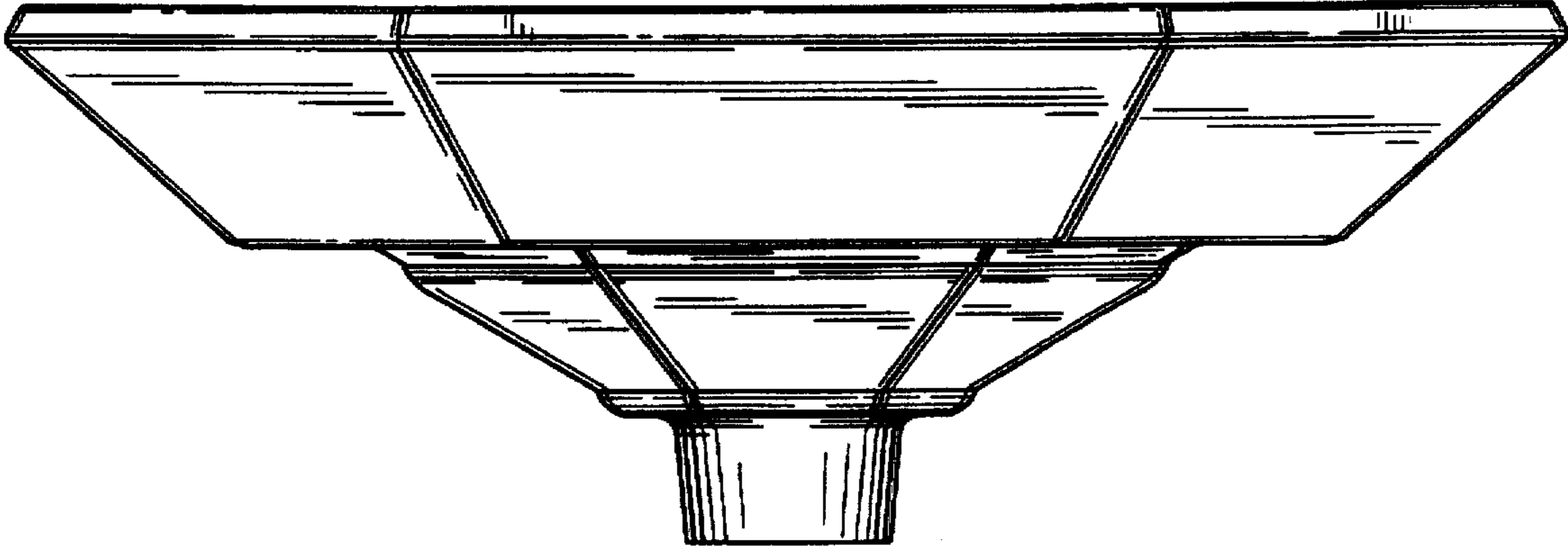


FIG. 3

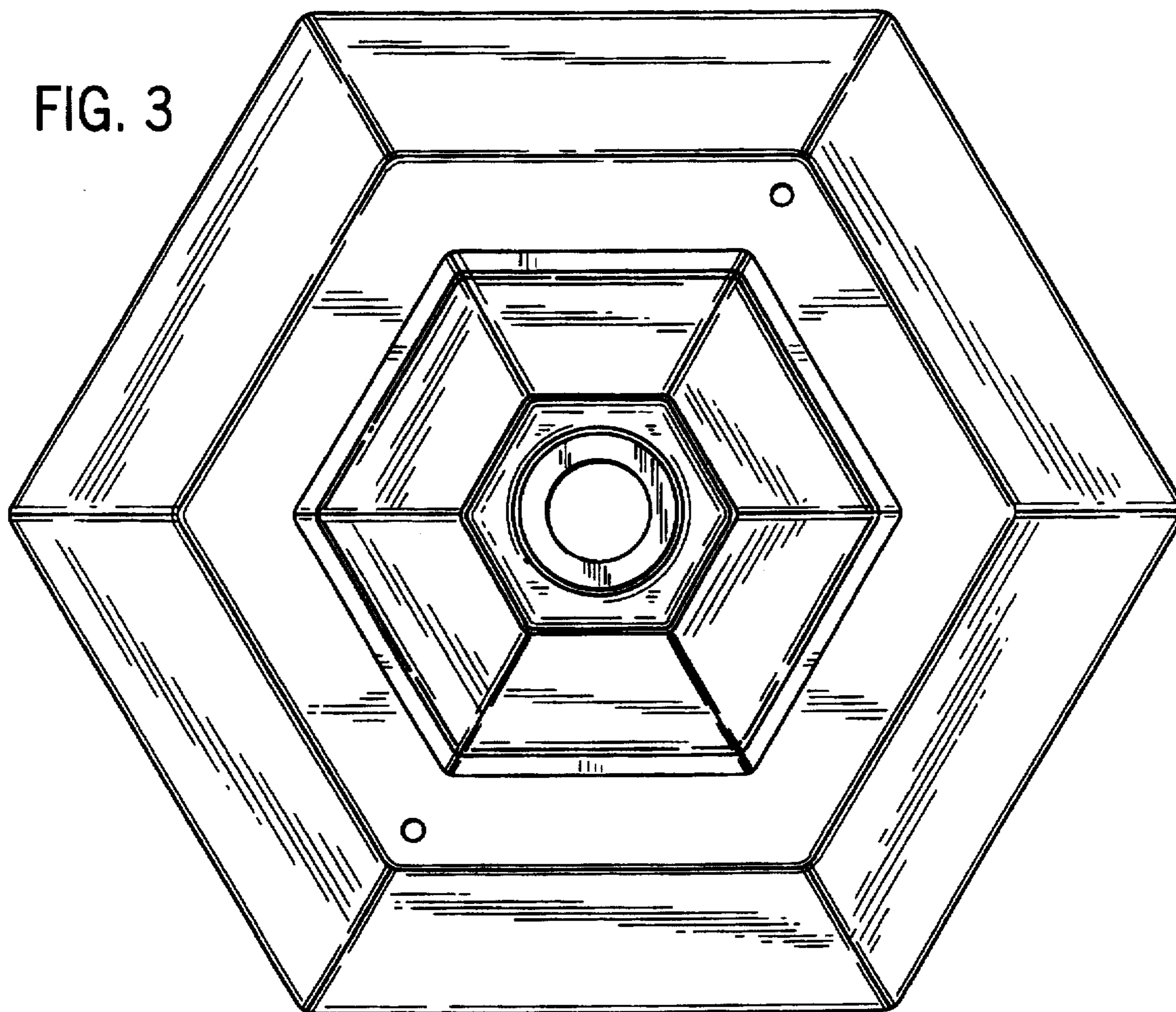


FIG. 5

