



US00D389900S

United States Patent [19]
Jacuzzi

[11] **Patent Number: Des. 389,900**
[45] **Date of Patent: **Jan. 27, 1998**

[54] **WHIRLPOOL BATH**
[75] **Inventor: Remo Jacuzzi**, Little Rock, Ark.
[73] **Assignee: Jason International, Inc.**, North Little Rock, Ark.
[**] **Term: 14 Years**
[21] **Appl. No.: 59,445**
[22] **Filed: Sep. 11, 1996**

“Lo Spazio Risolto” Brochure, Albatros® System, Spilimbergo, Italy, (admitted prior art).
“5' & 6' J-Shower Tower”, Brochure, Jacuzzi Whirlpool Bath, Walnut Creek, CA, 1996.
“Idrodoccia Sintesi 226”, Teuco Guzzini S.R.L., Recanati, Italy (admitted prior art).
Primary Examiner—Stella Reid
Assistant Examiner—Eric Watterson
Attorney, Agent, or Firm—Banner & Witcoff, Ltd.

Related U.S. Application Data

[63] Continuation of Ser. No. 51,823, Mar. 19, 1996, abandoned.
[51] **LOC (6) Cl. 23-02**
[52] **U.S. Cl. D23/277**
[58] **Field of Search D23/270, 275, D23/277, 280.1-280.4; D24/204, 205; 4/538, 555, 556, 571, 573-579, 584, 589, 590, 592, 593**

[57] **CLAIM**

The ornamental design for a whirlpool bath, as shown and described.

DESCRIPTION

FIG. 1 is a top perspective view of a whirlpool bath showing a first embodiment of my new design;
FIG. 2 is a top plan view thereof;
FIG. 3 is a rear elevational view thereof;
FIG. 4 is a front elevational view thereof;
FIG. 5 is a left end elevational view thereof;
FIG. 6 is a right end elevational view thereof;
FIG. 7 is a top perspective view of a whirlpool bath showing a second embodiment of my new design;
FIG. 8 is a top plan view thereof;
FIG. 9 is a rear elevational view thereof;
FIG. 10 is a front elevational view thereof;
FIG. 11 is a right end elevational view thereof;
FIG. 12 is a left end elevational view thereof; and,
FIG. 13 is a further top perspective view of the whirlpool bath shown in FIG. 8, the broken line showing of a shower surround being for illustrative purposes only and forming no part of the claimed design.

[56] **References Cited**

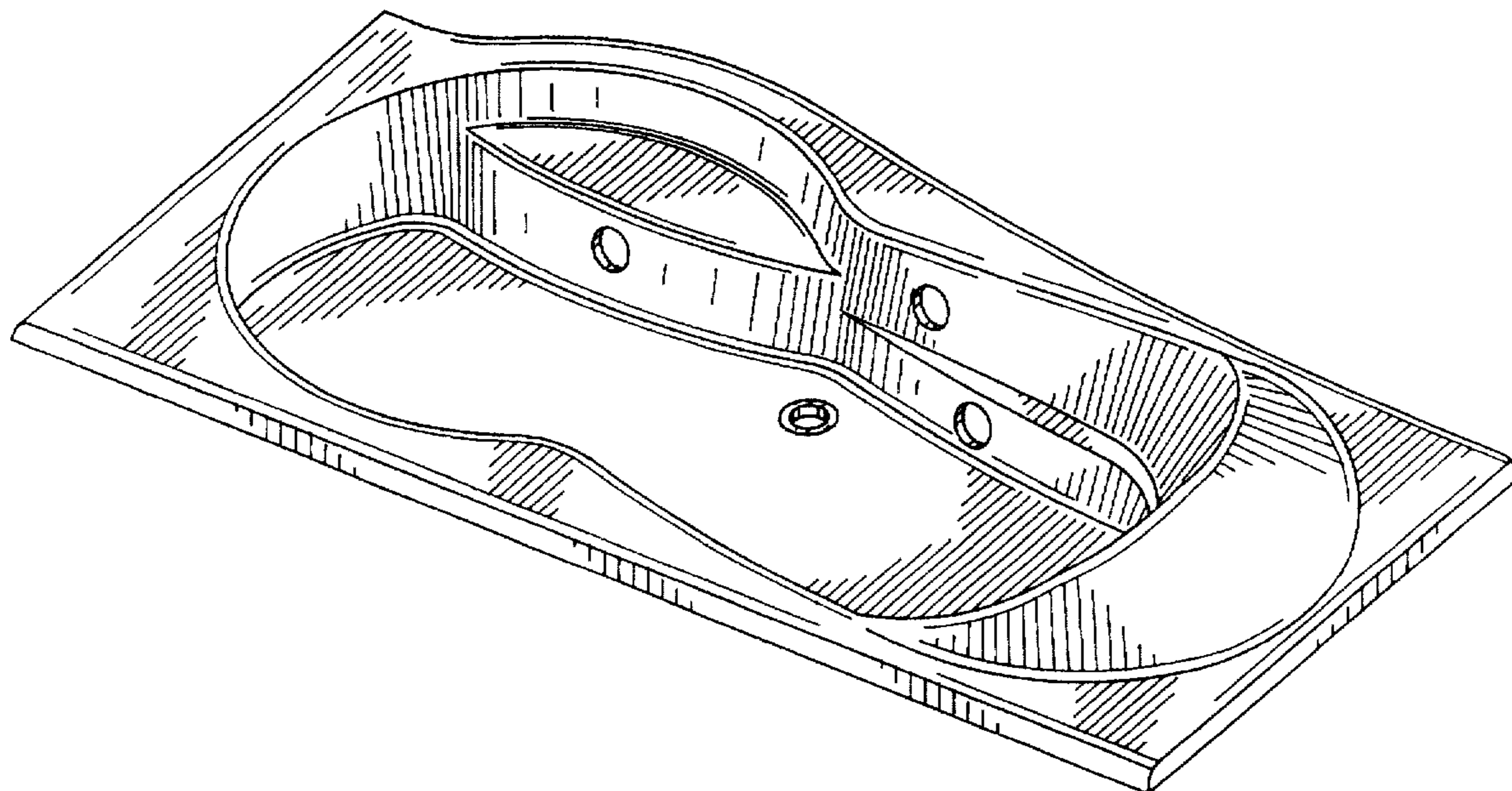
U.S. PATENT DOCUMENTS

D. 227,101 6/1973 Primault .
D. 295,665 5/1988 Salach D23/277
D. 324,260 2/1992 Stairs, Jr. D23/280.1
D. 350,392 9/1994 Konler, Jr. et al. D23/277
D. 352,098 11/1994 Konler, Jr. et al. D23/277

OTHER PUBLICATIONS

“The Flora” Model, *The First Family of Luxury Bathing*, Brochure, Jason International, Inc., N. Little Rock, AR, (admitted prior art).

1 Claim, 11 Drawing Sheets



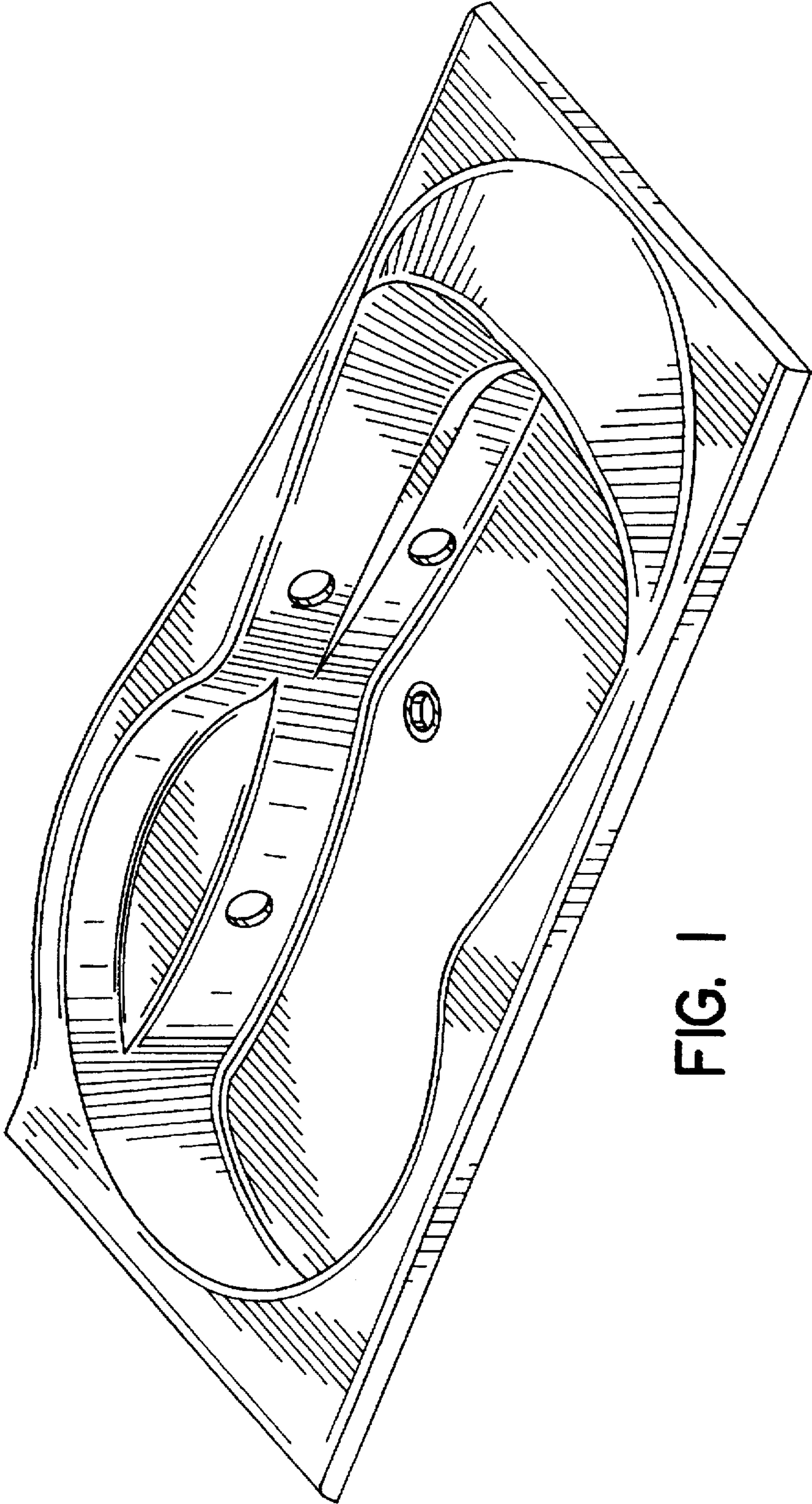


FIG. 1

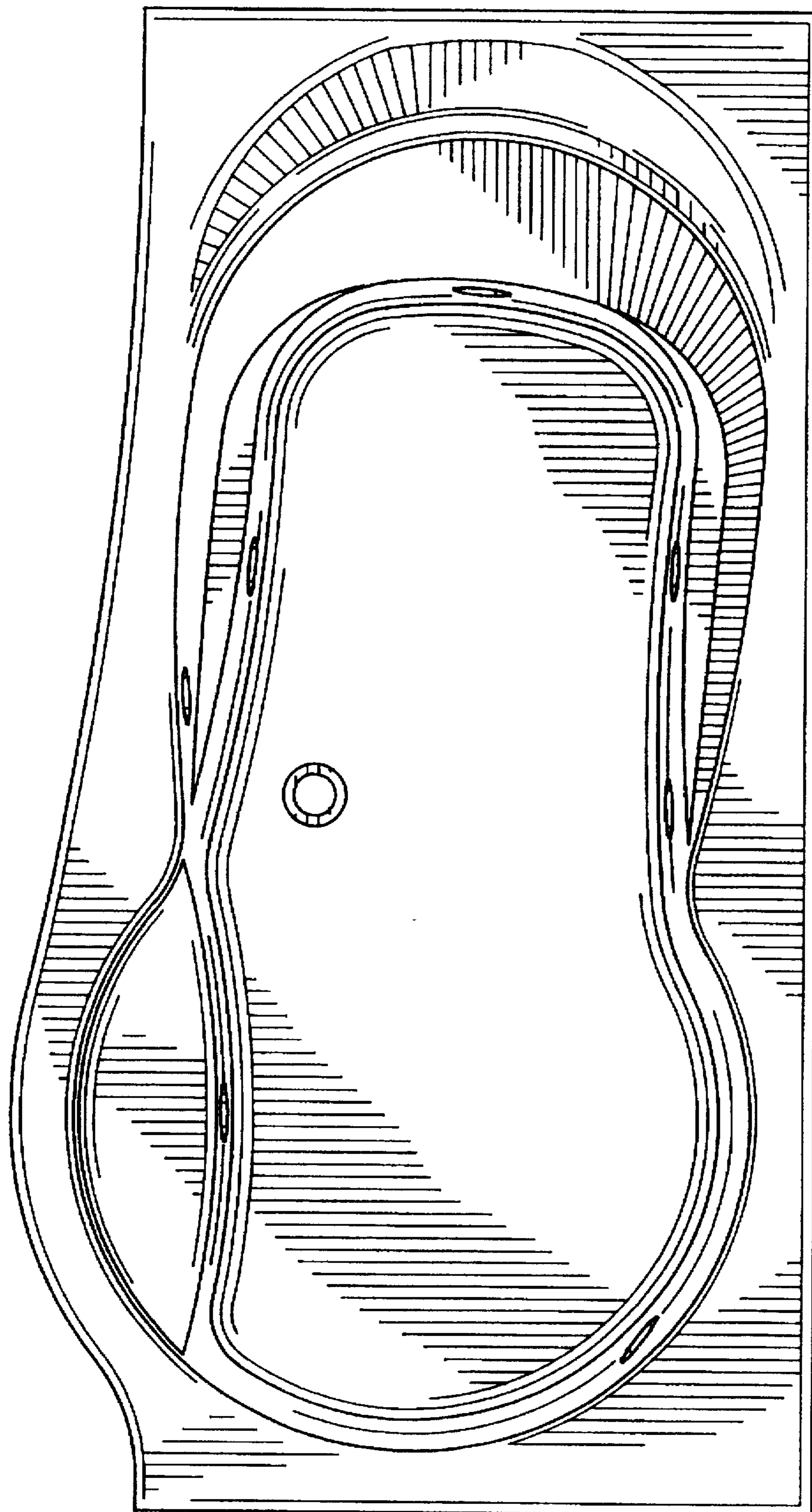


FIG. 2

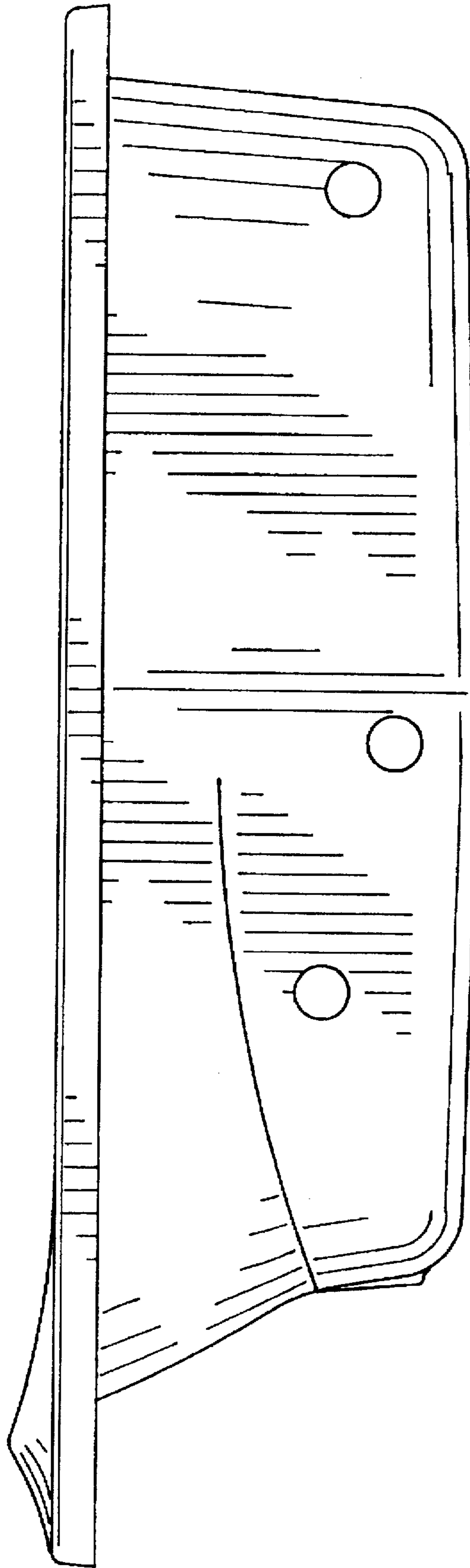


FIG. 3

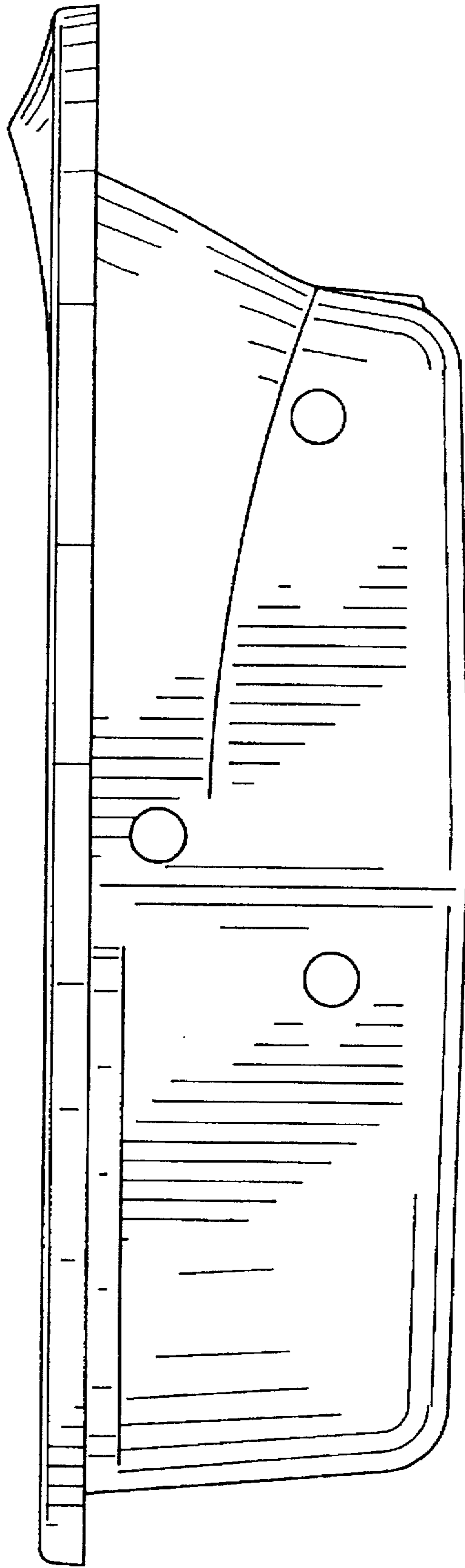


FIG. 4

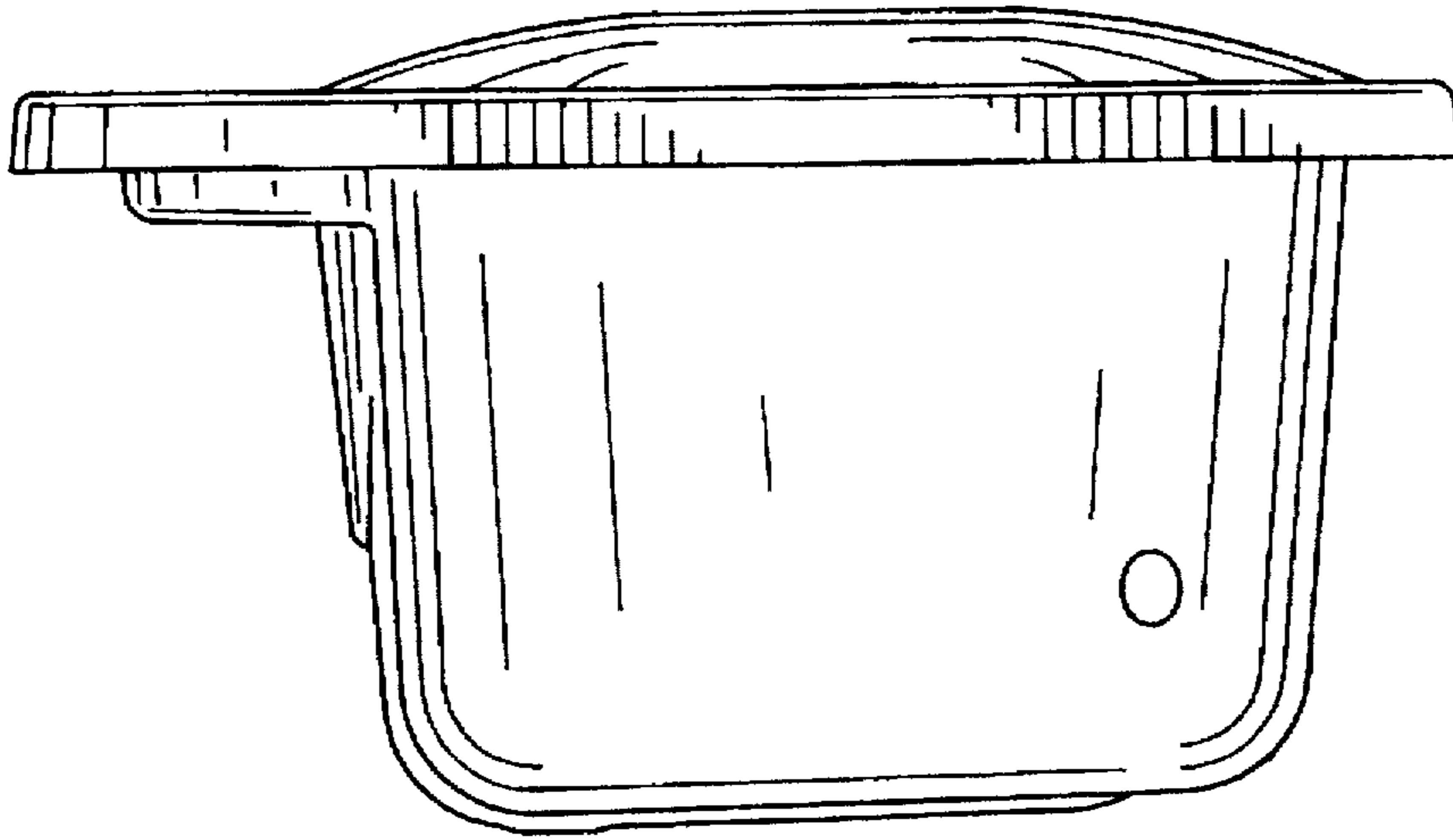


FIG. 5

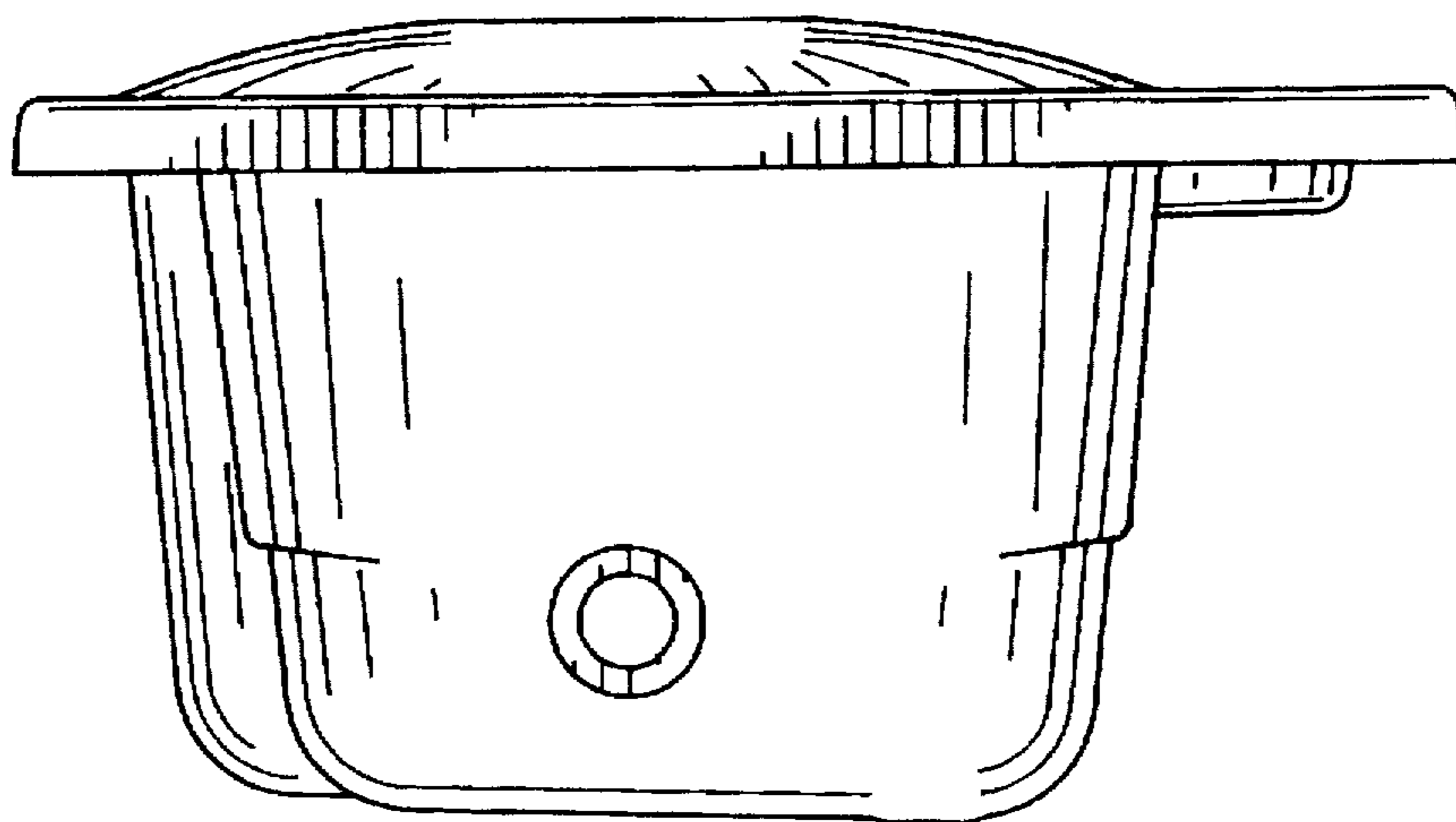


FIG. 6

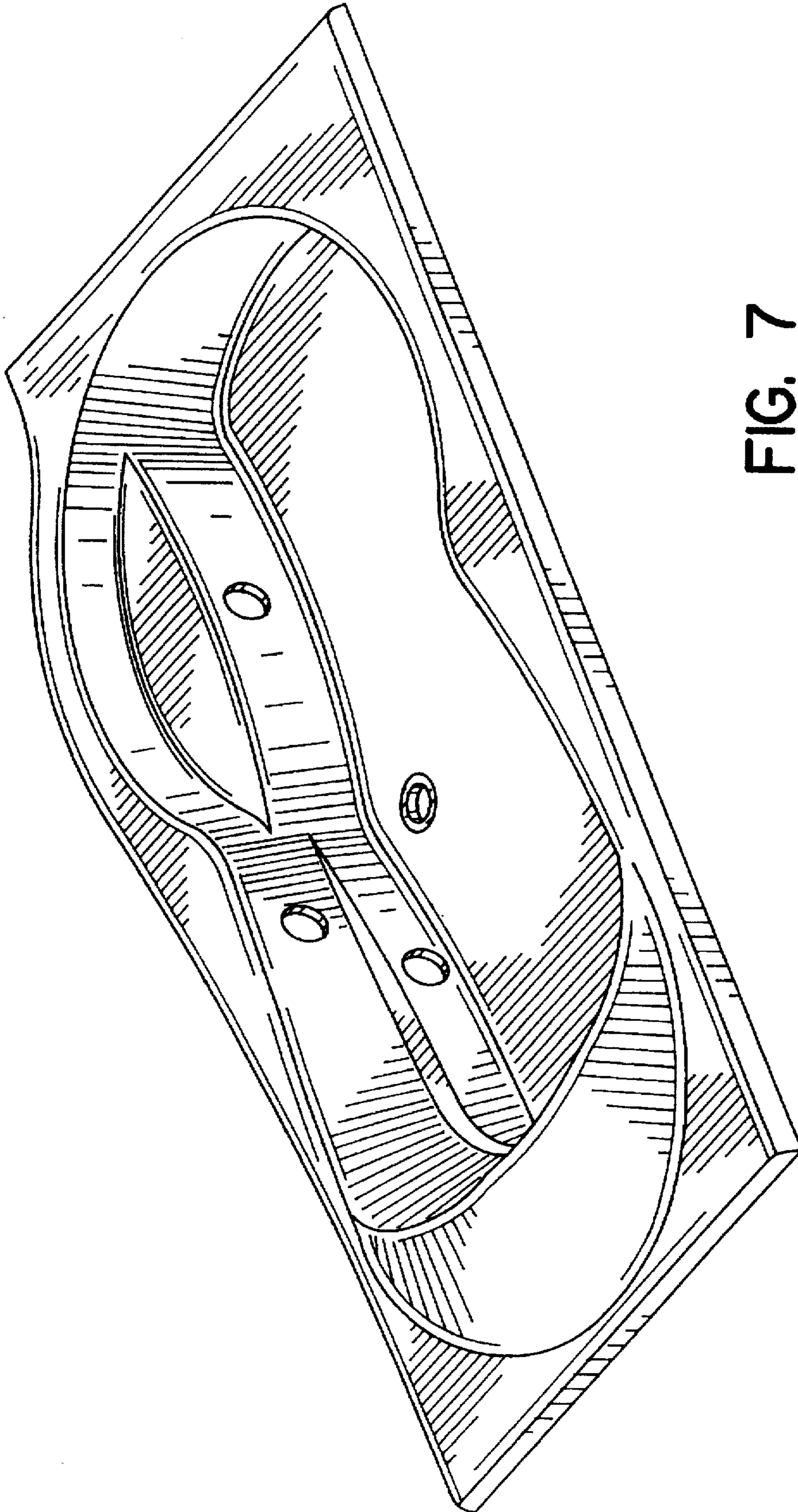


FIG. 7

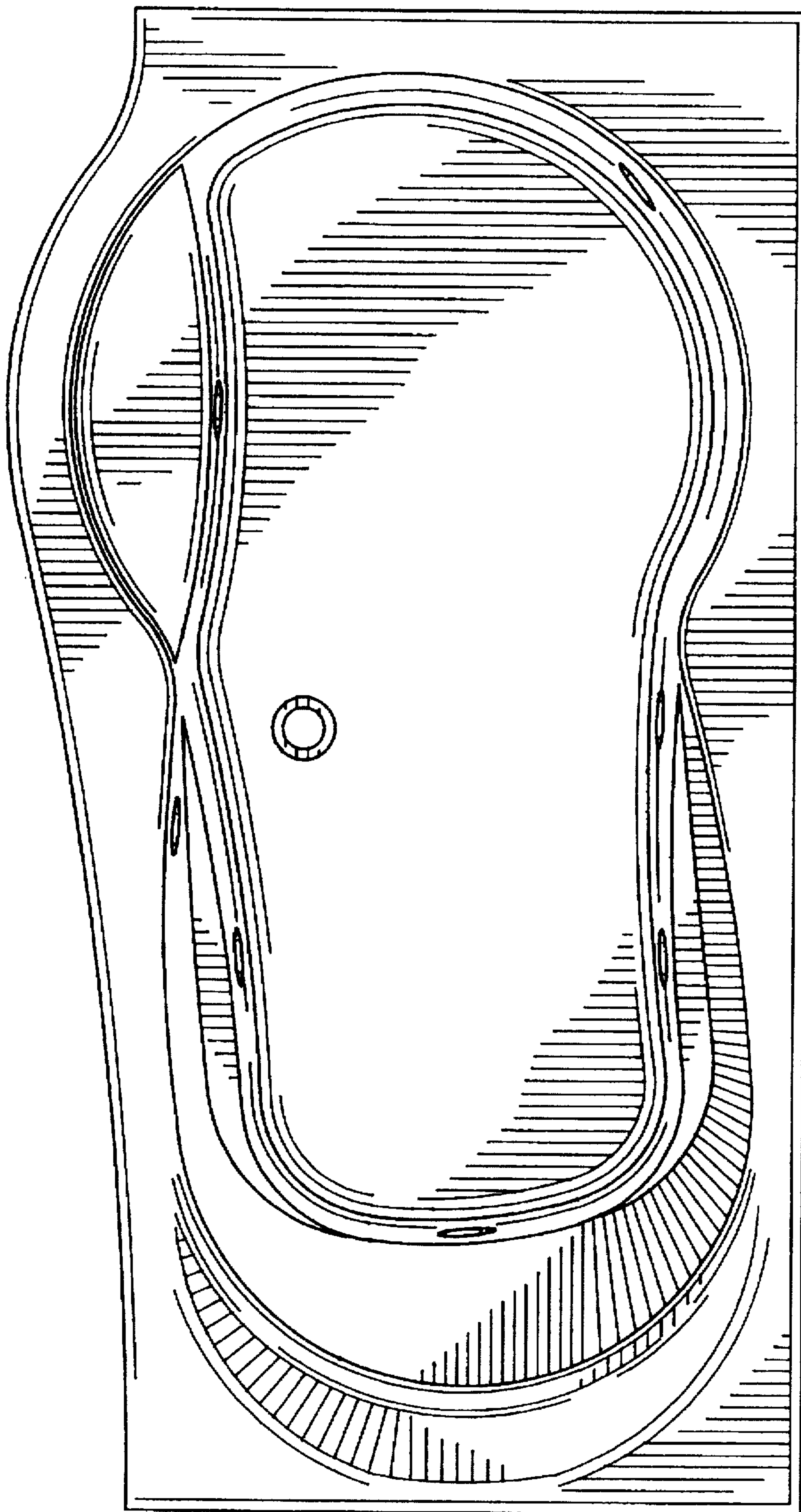


FIG. 8

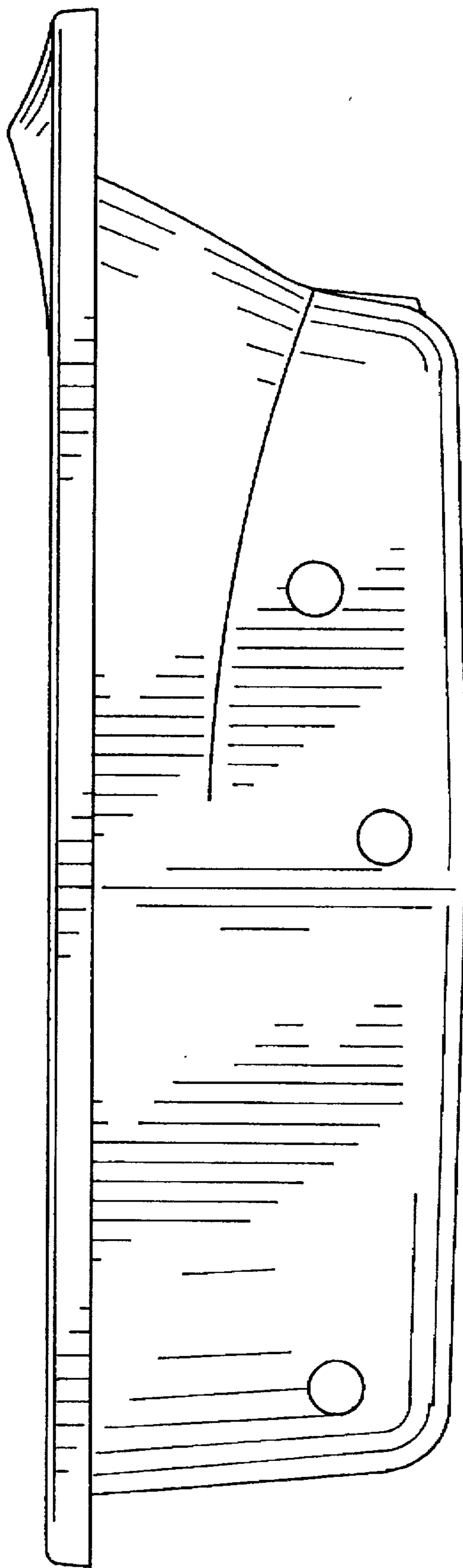


FIG. 9

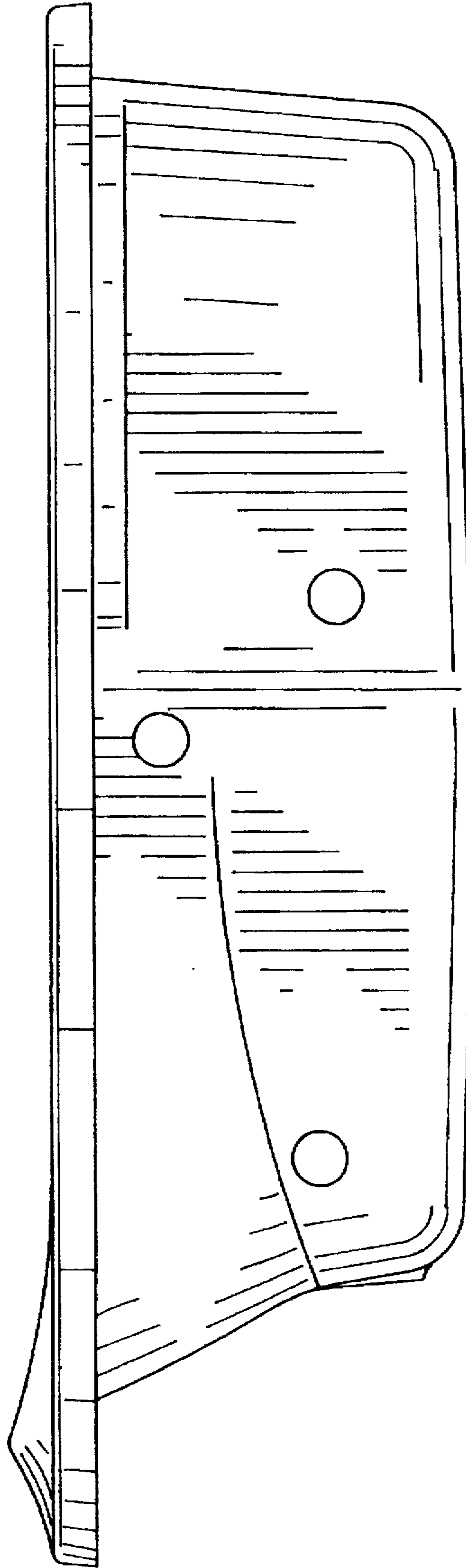


FIG. 10

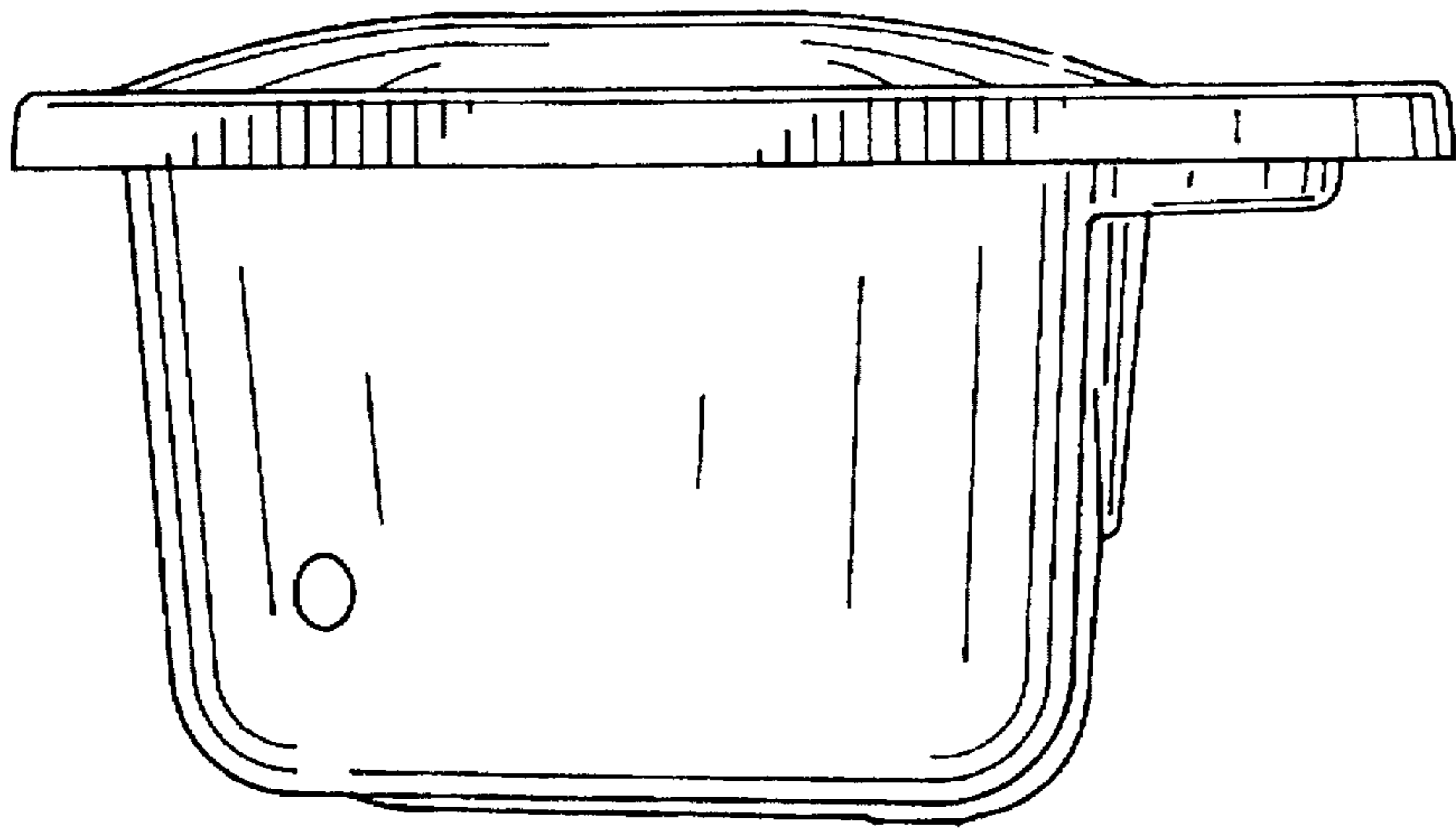


FIG. 11

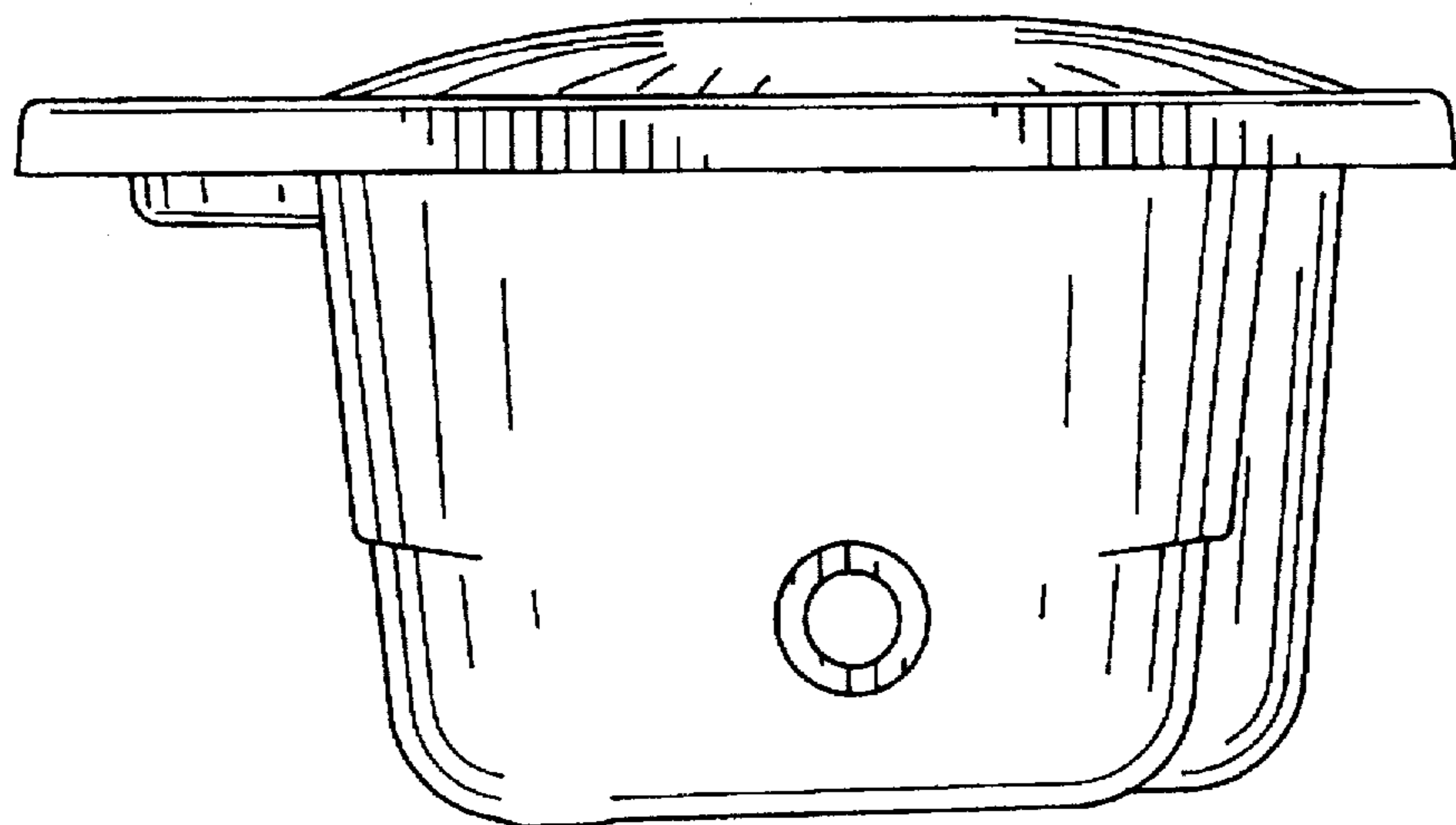


FIG. 12

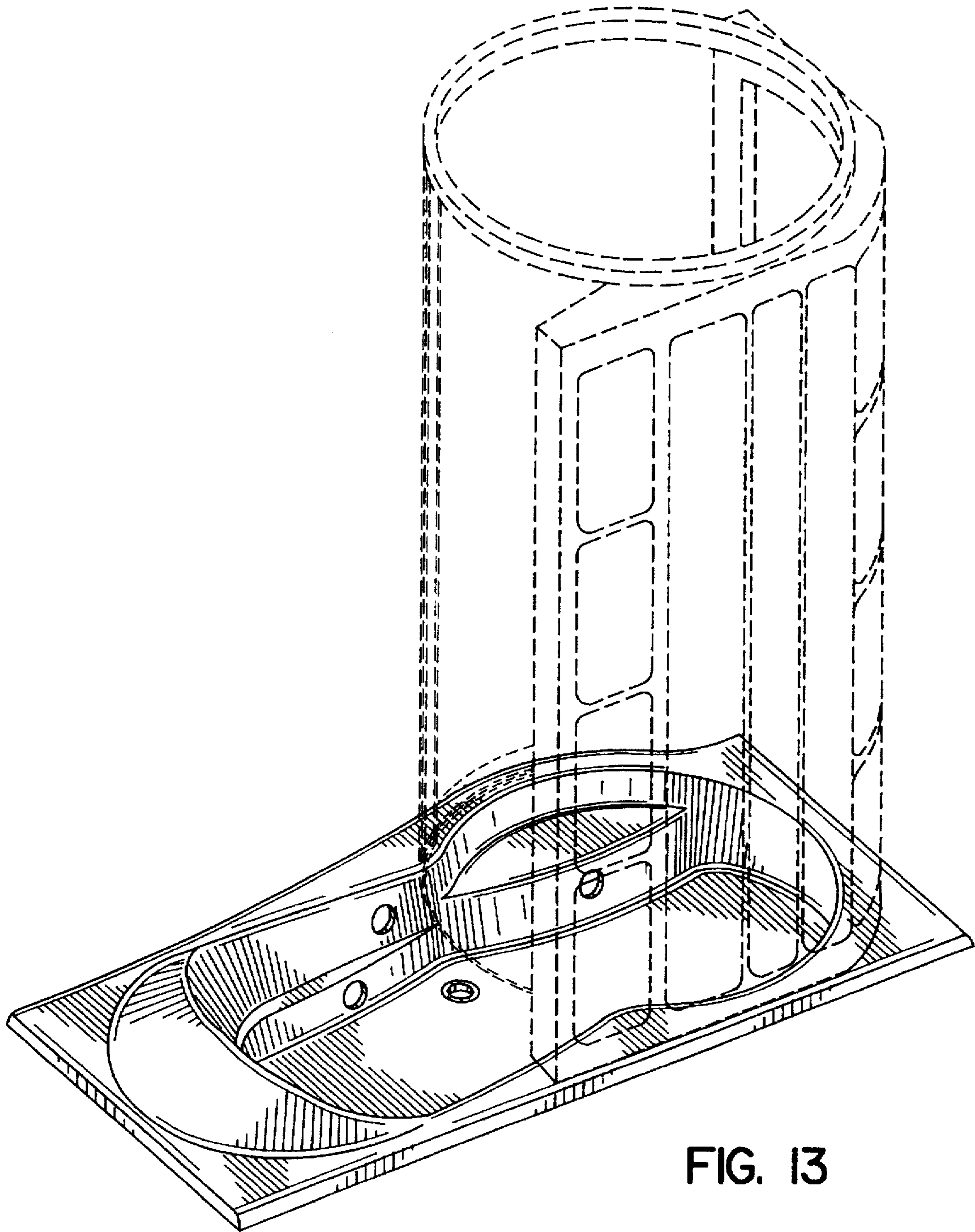


FIG. 13