



US00D389897S

United States Patent [19]
Delker

[11] **Patent Number:** **Des. 389,897**
[45] **Date of Patent:** ****Jan. 27, 1998**

[54] **FAUCET**

[75] **Inventor:** **Wilfried A. Delker**, Bridgewater, N.J.

[73] **Assignee:** **American Standard, Inc.**, Piscataway, N.J.

[**] **Term:** **14 Years**

[21] **Appl. No.:** **60,620**

[22] **Filed:** **Oct. 2, 1996**

[51] **LOC (6) Cl.** **23-01**

[52] **U.S. Cl.** **D23/238**

[58] **Field of Search** **D23/238-243,**
D23/250-257, 675-678; 137/801

[56] **References Cited**

U.S. PATENT DOCUMENTS

D. 291,234	8/1987	Bergman et al.	D23/238
D. 291,235	8/1987	Bergman et al.	D23/238
D. 301,162	5/1989	Oberdorfer	D23/238
D. 358,866	5/1995	Andreas et al.	D23/238

Primary Examiner—Louis S. Zarfes
Assistant Examiner—Eric Watterson
Attorney, Agent, or Firm—Ann M. Knab; Elain Brenner
Robinson

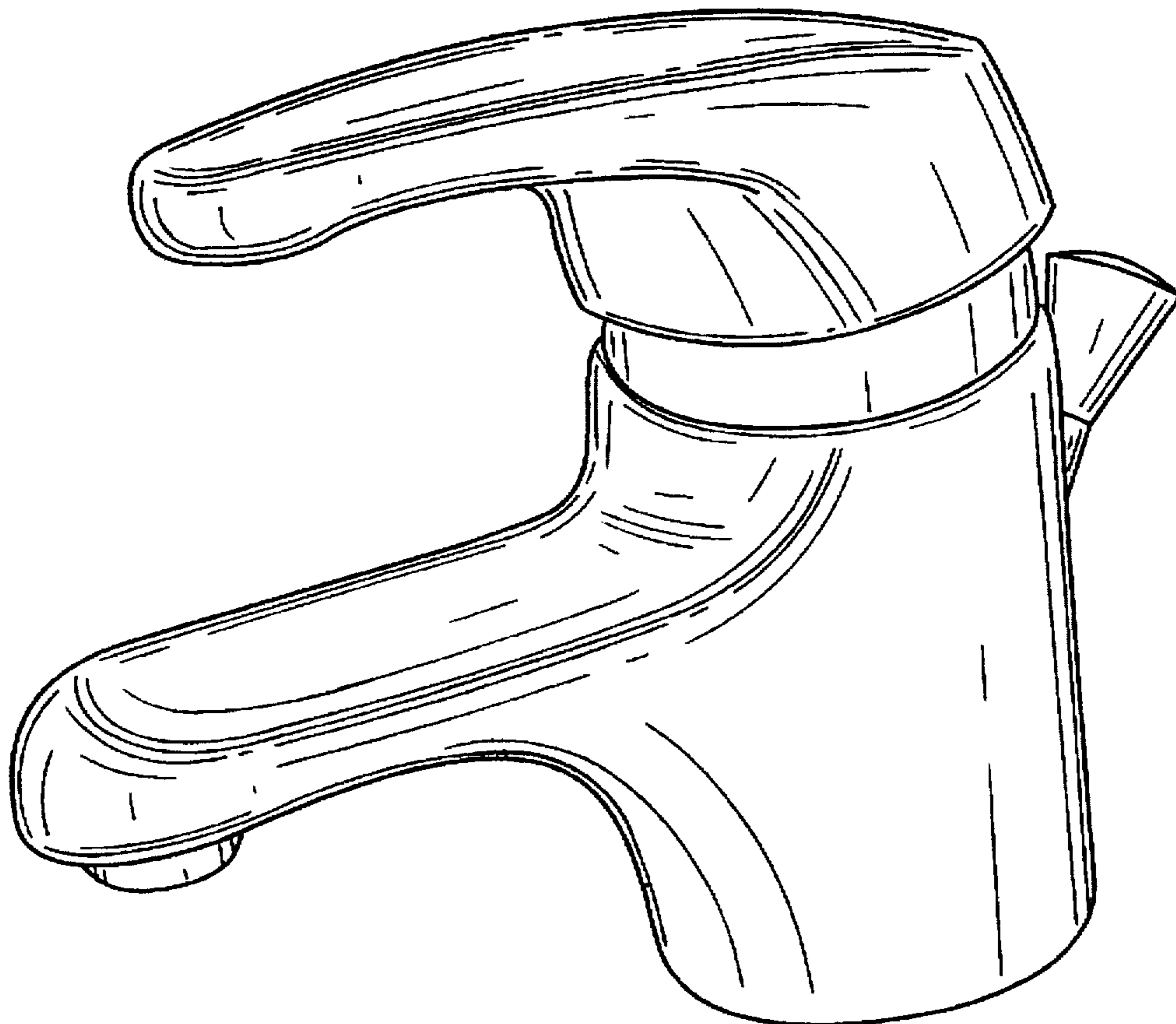
[57] **CLAIM**

The ornamental design for a faucet, as shown and described.

DESCRIPTION

FIG. 1 is a perspective view of a faucet showing my new design;
FIG. 2 is a front elevational view thereof;
FIG. 3 is a rear elevational view thereof;
FIG. 4 is a right side elevational view thereof, the left side view being a mirror image of the right side;
FIG. 5 is a bottom plan view thereof;
FIG. 6 is a top plan view thereof;
FIG. 7 is a perspective view of a faucet showing another embodiment of my new design;
FIG. 8 is a front elevational view of the faucet shown in FIG. 7;
FIG. 9 is a rear elevational view of the faucet shown in FIG. 7;
FIG. 10 is a right side elevational view of the faucet shown in FIG. 7, the left side view being a mirror image of the right side;
FIG. 11 is a bottom plan view of the faucet shown in FIG. 7; and,
FIG. 12 is a top plan view of the faucet shown in FIG. 7.

1 Claim, 8 Drawing Sheets



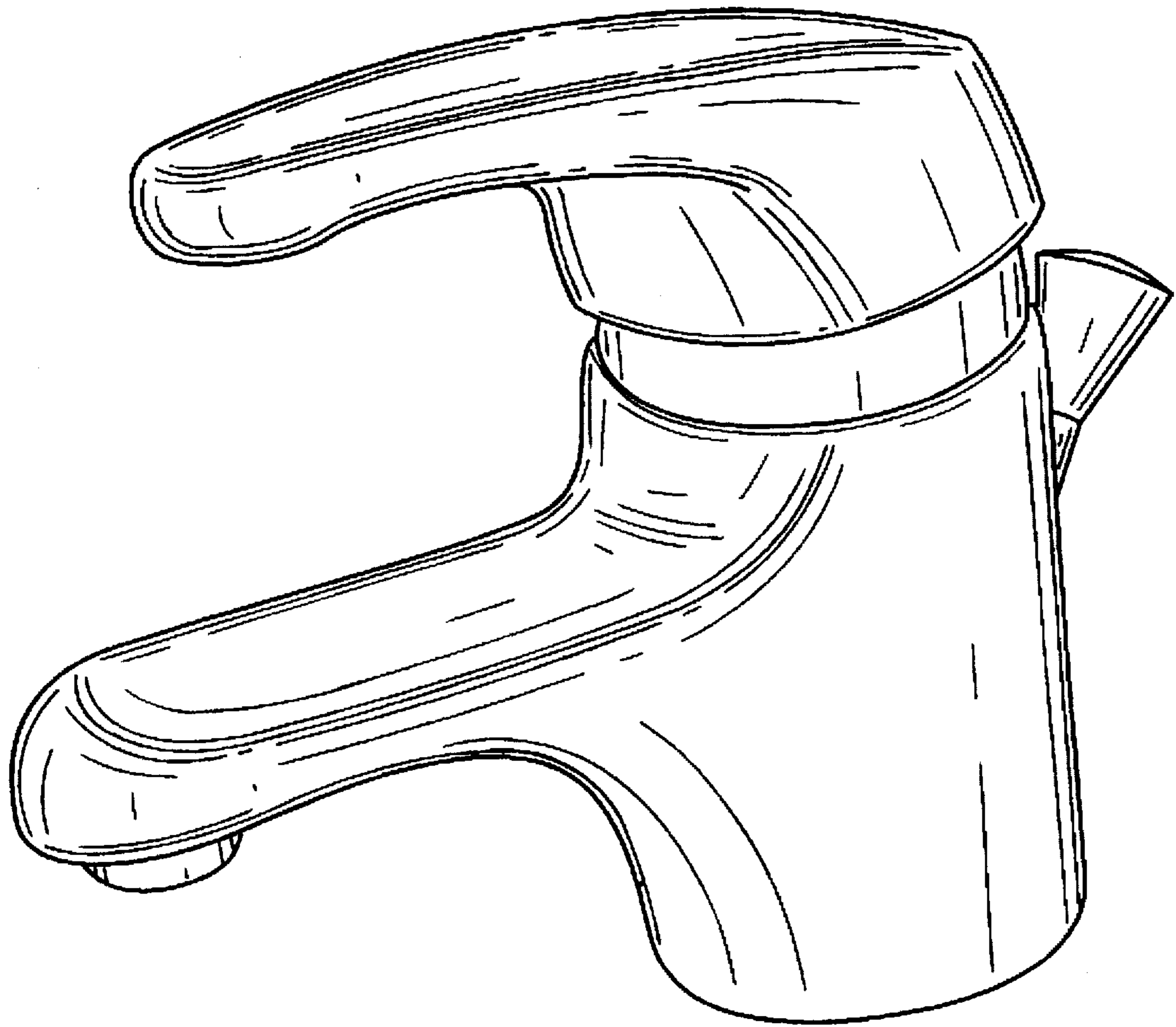


FIG. 1

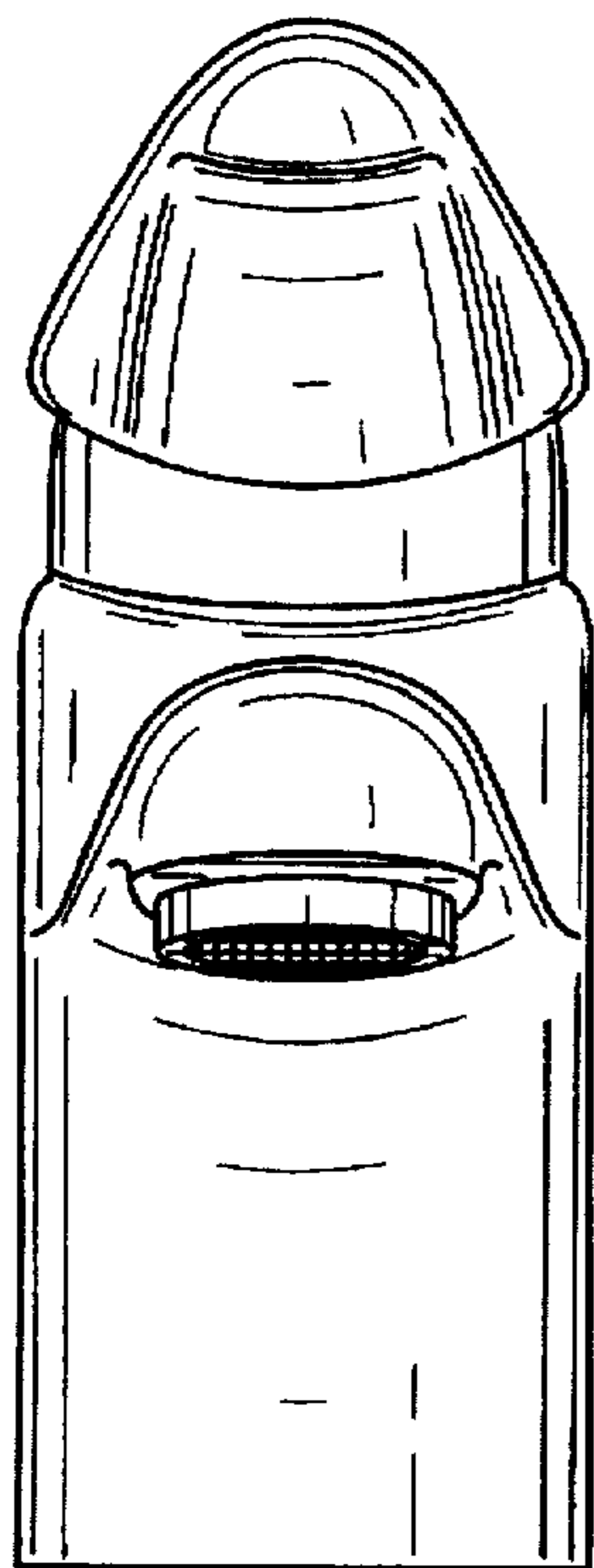


FIG. 2

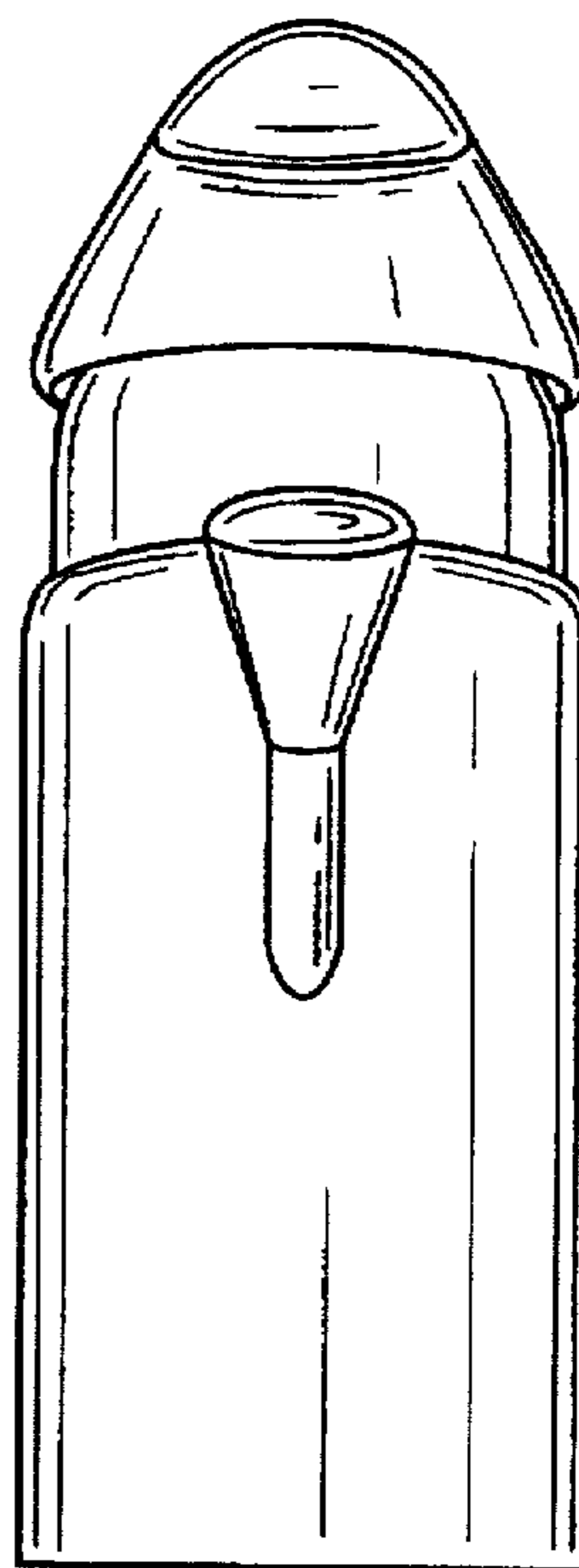


FIG. 3

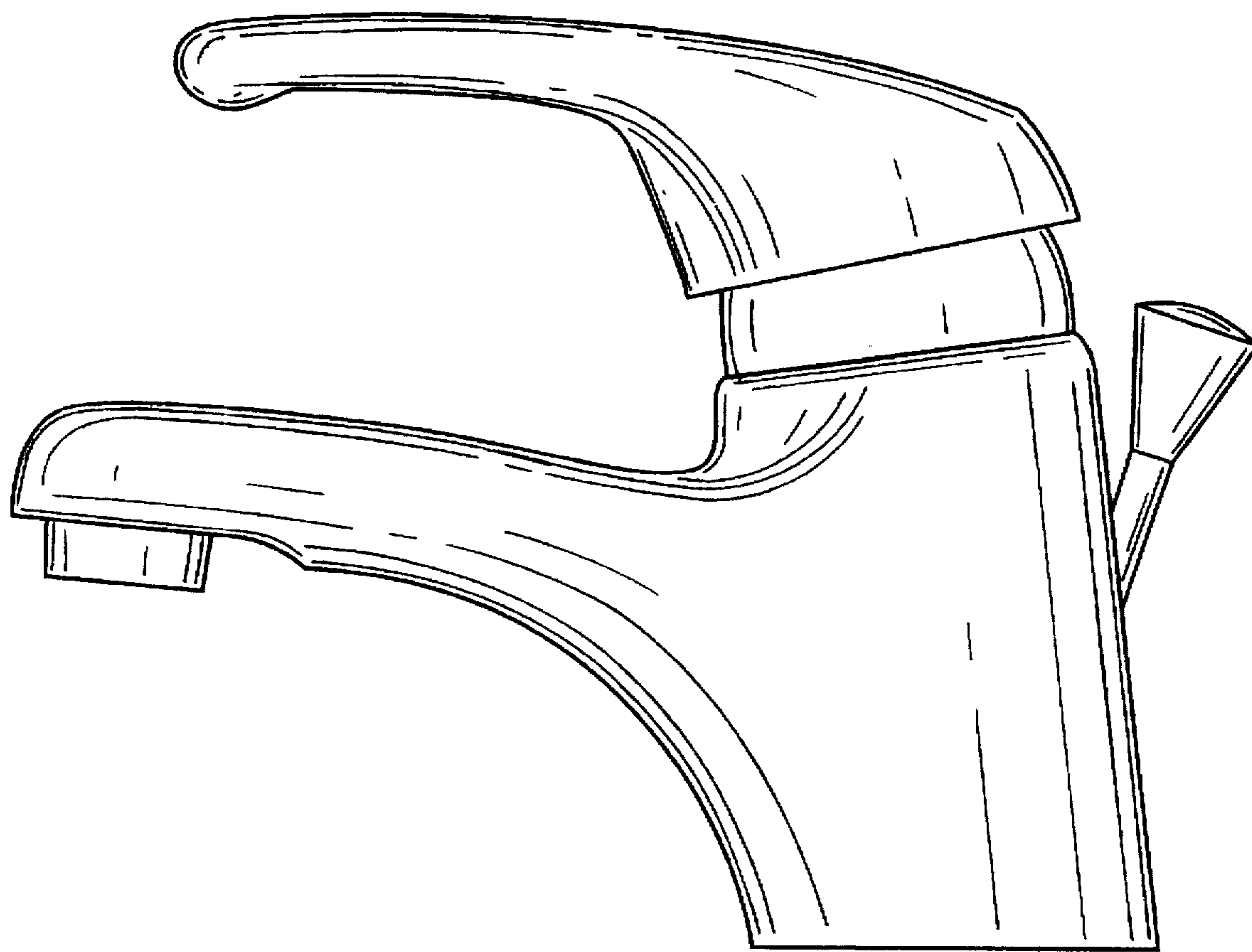


FIG. 4

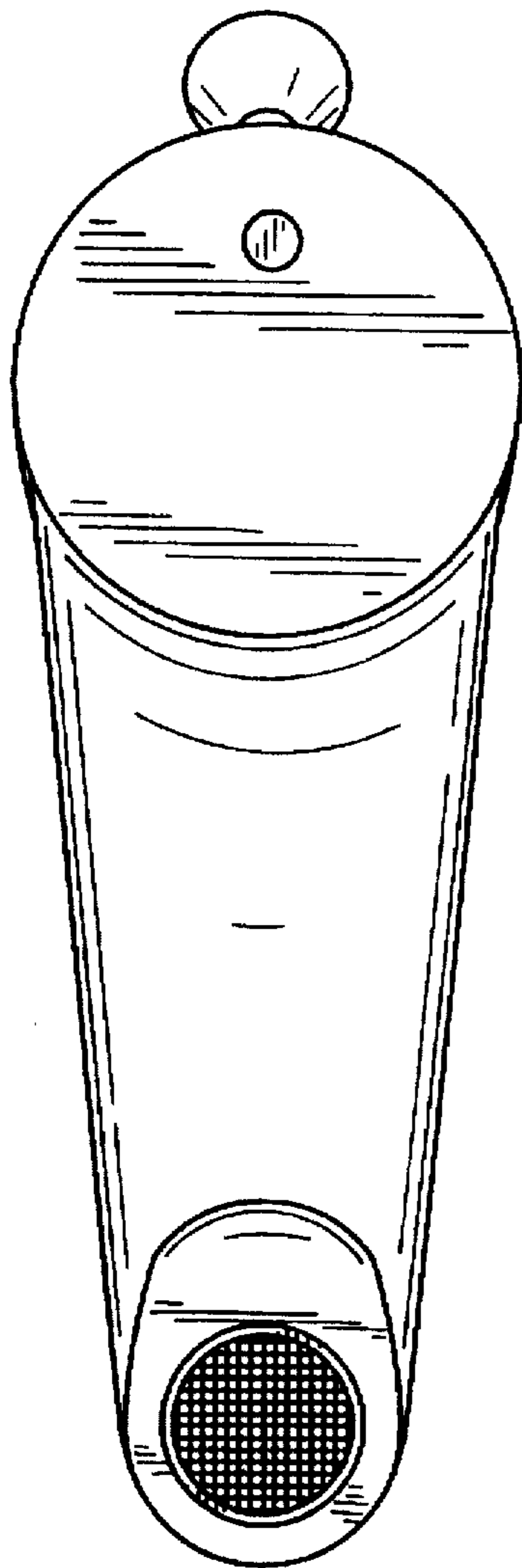


FIG. 5

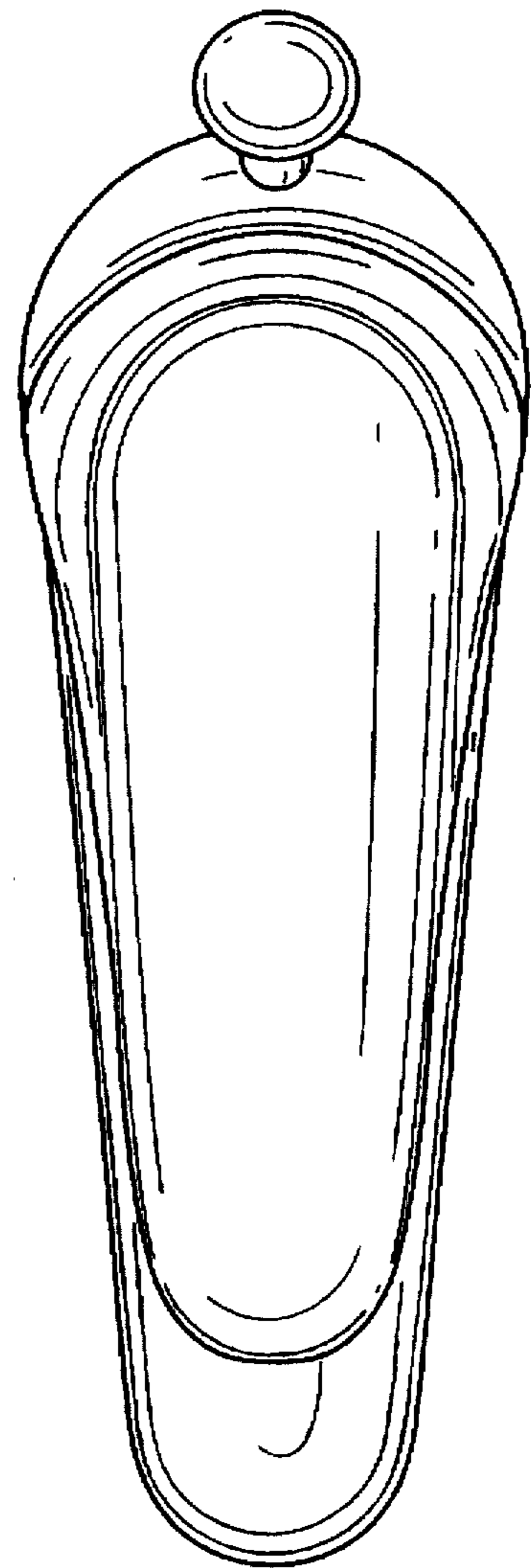


FIG. 6

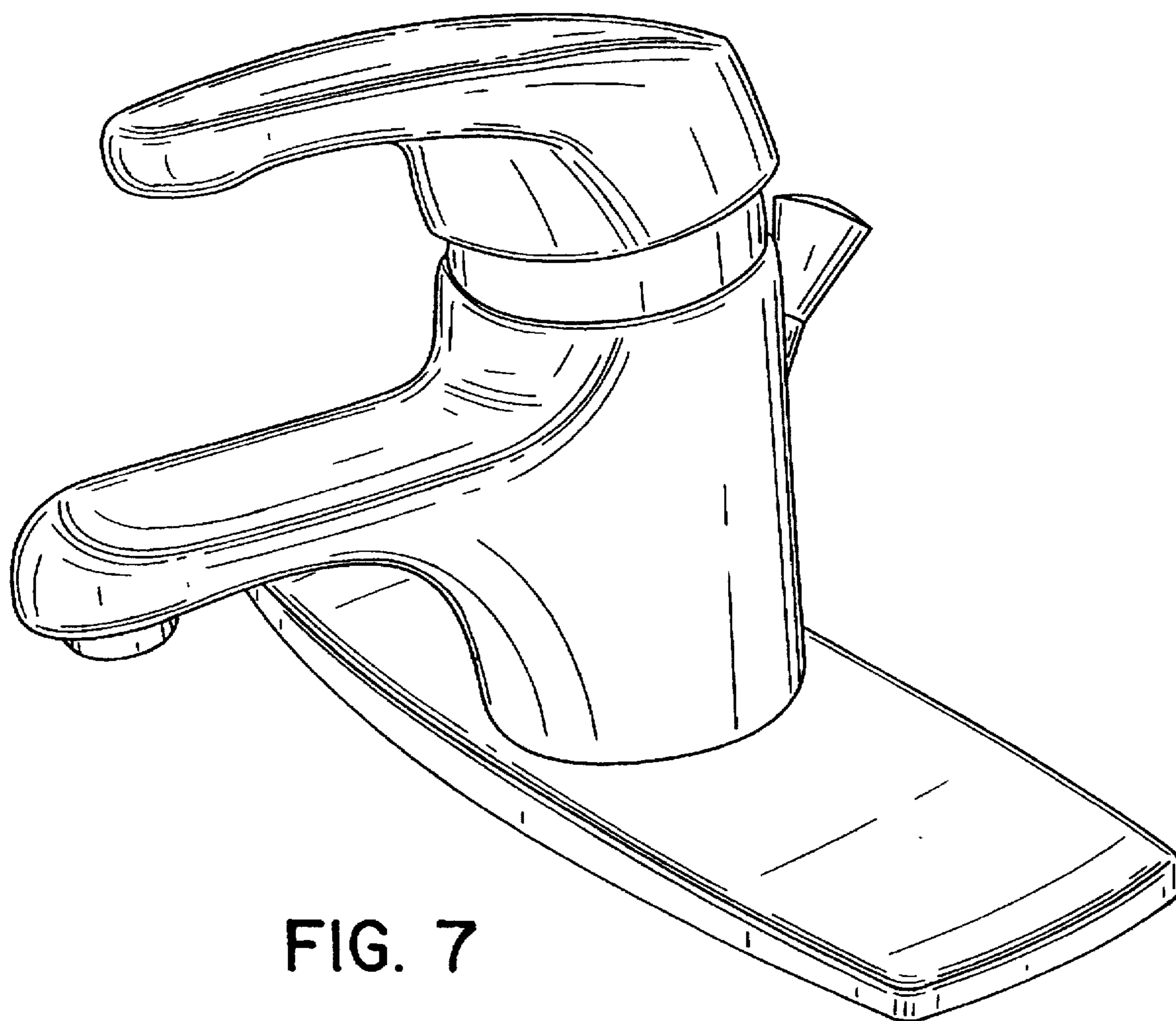


FIG. 7

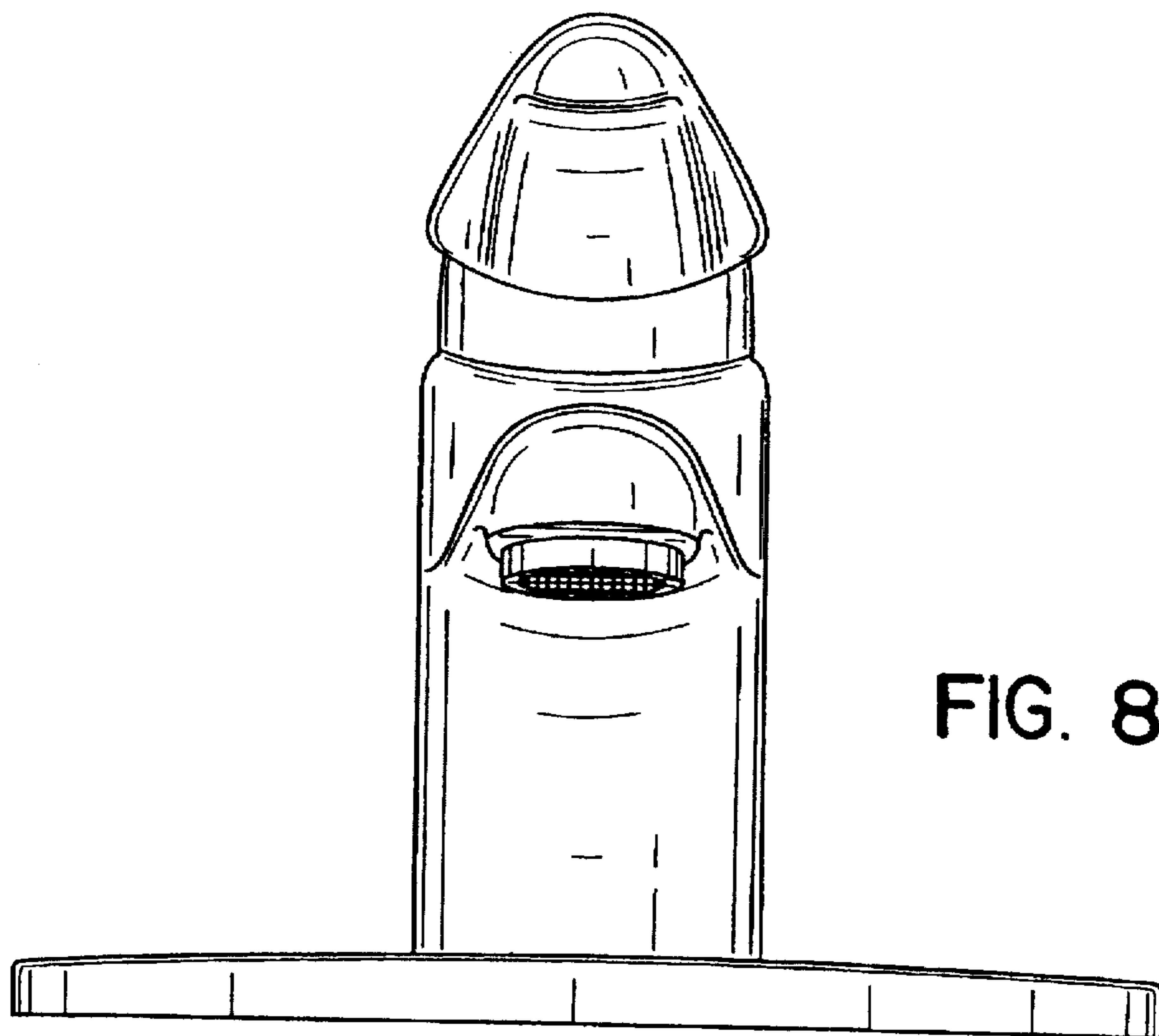


FIG. 8

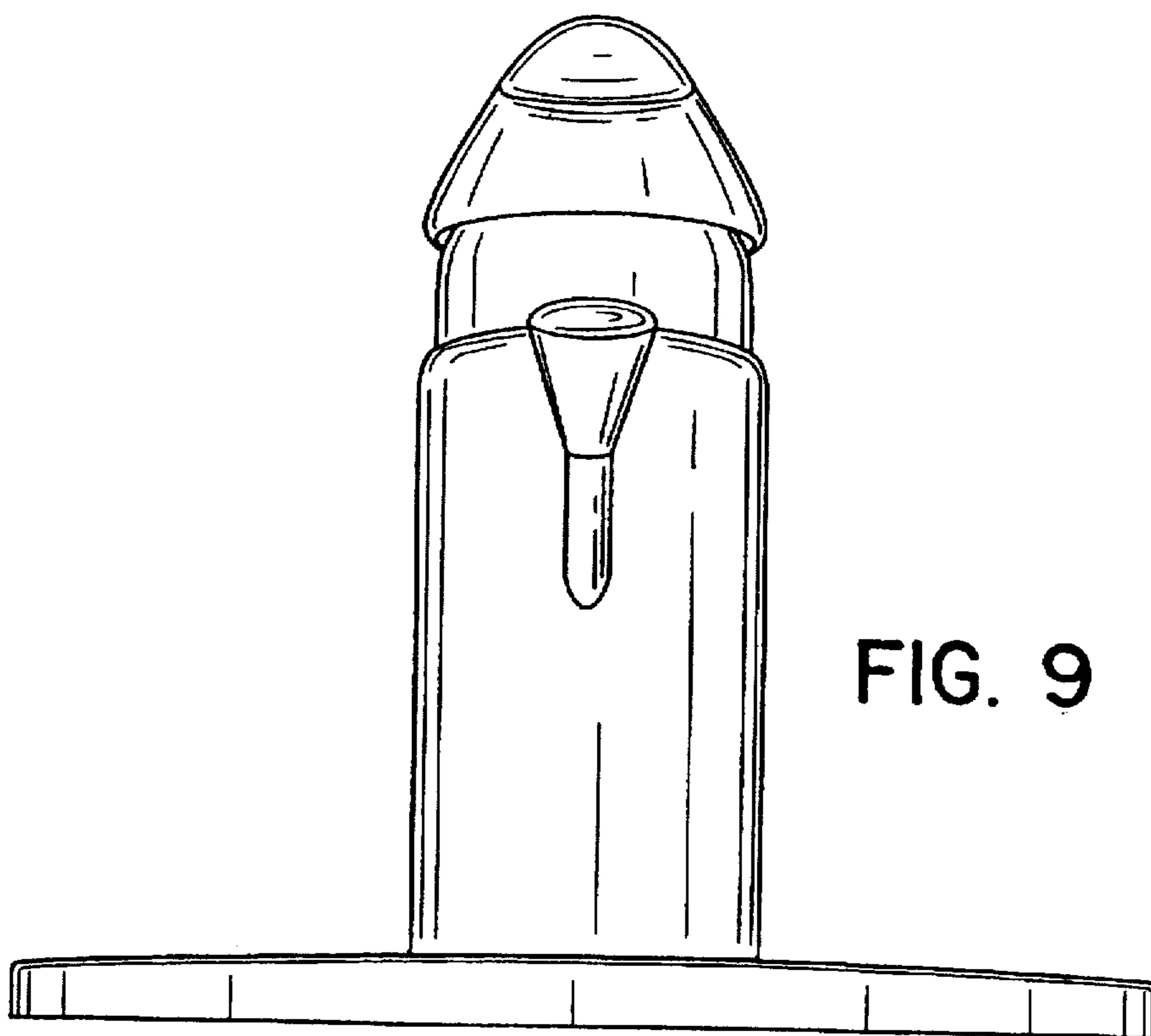


FIG. 9

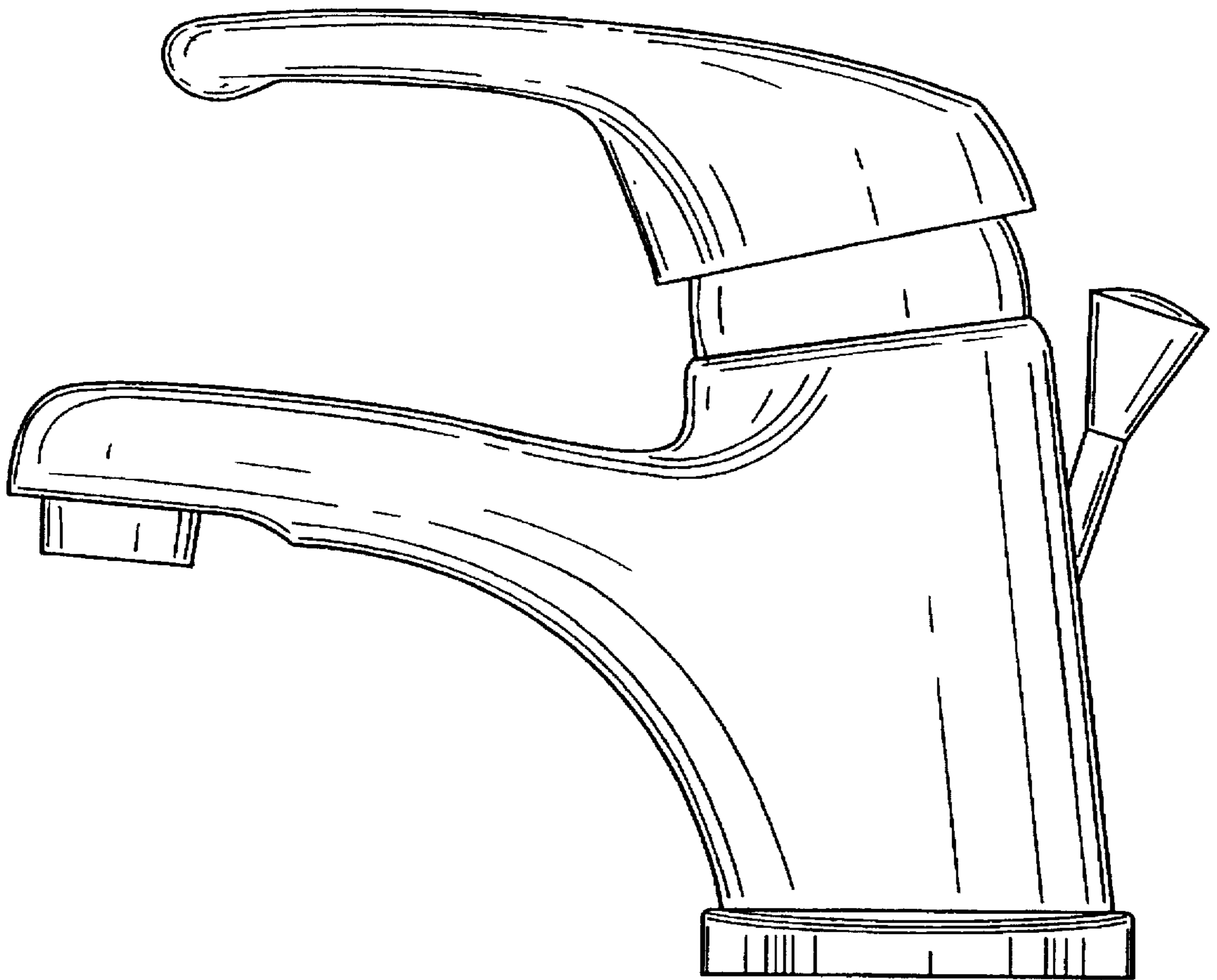


FIG. 10

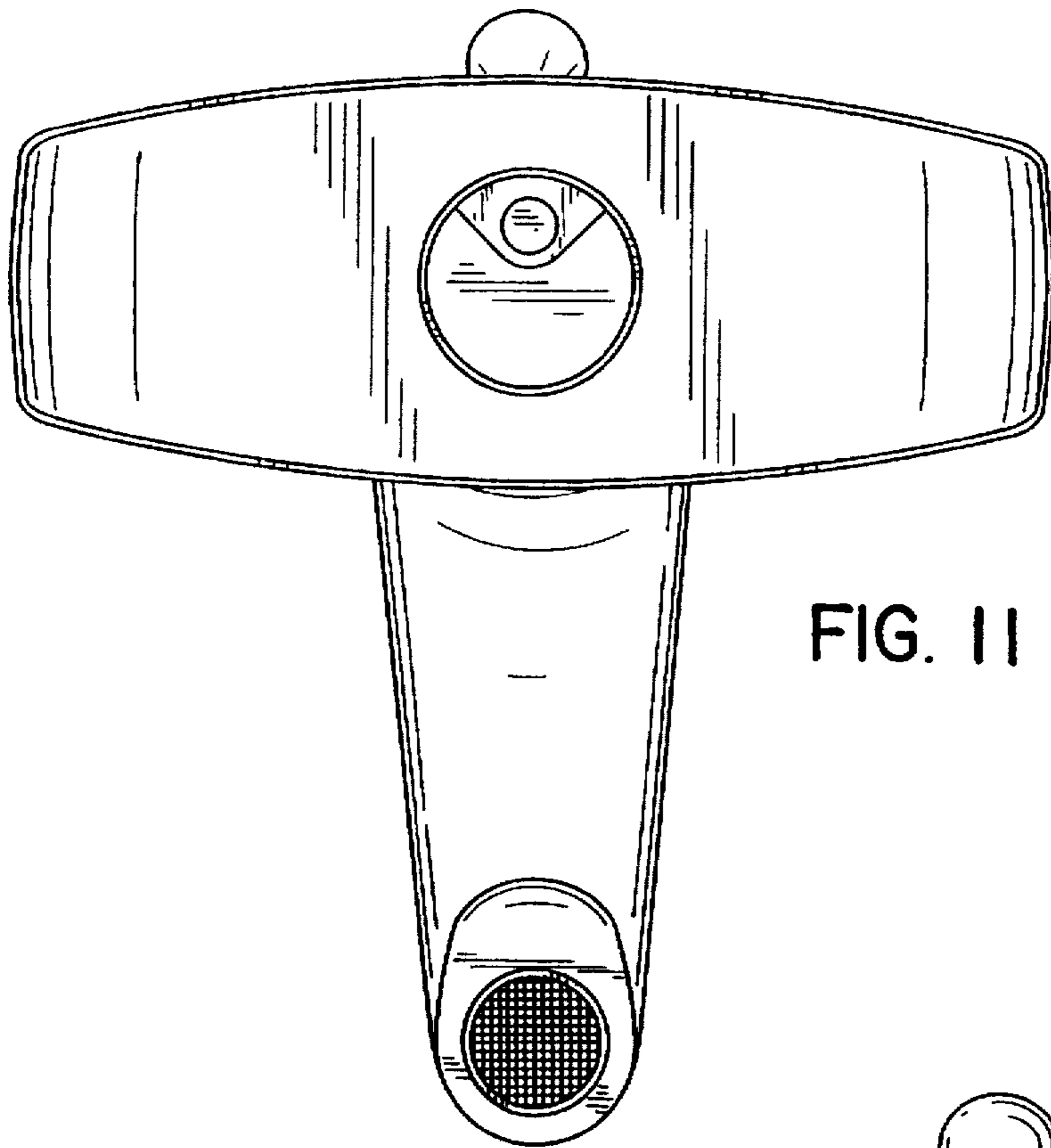


FIG. 11

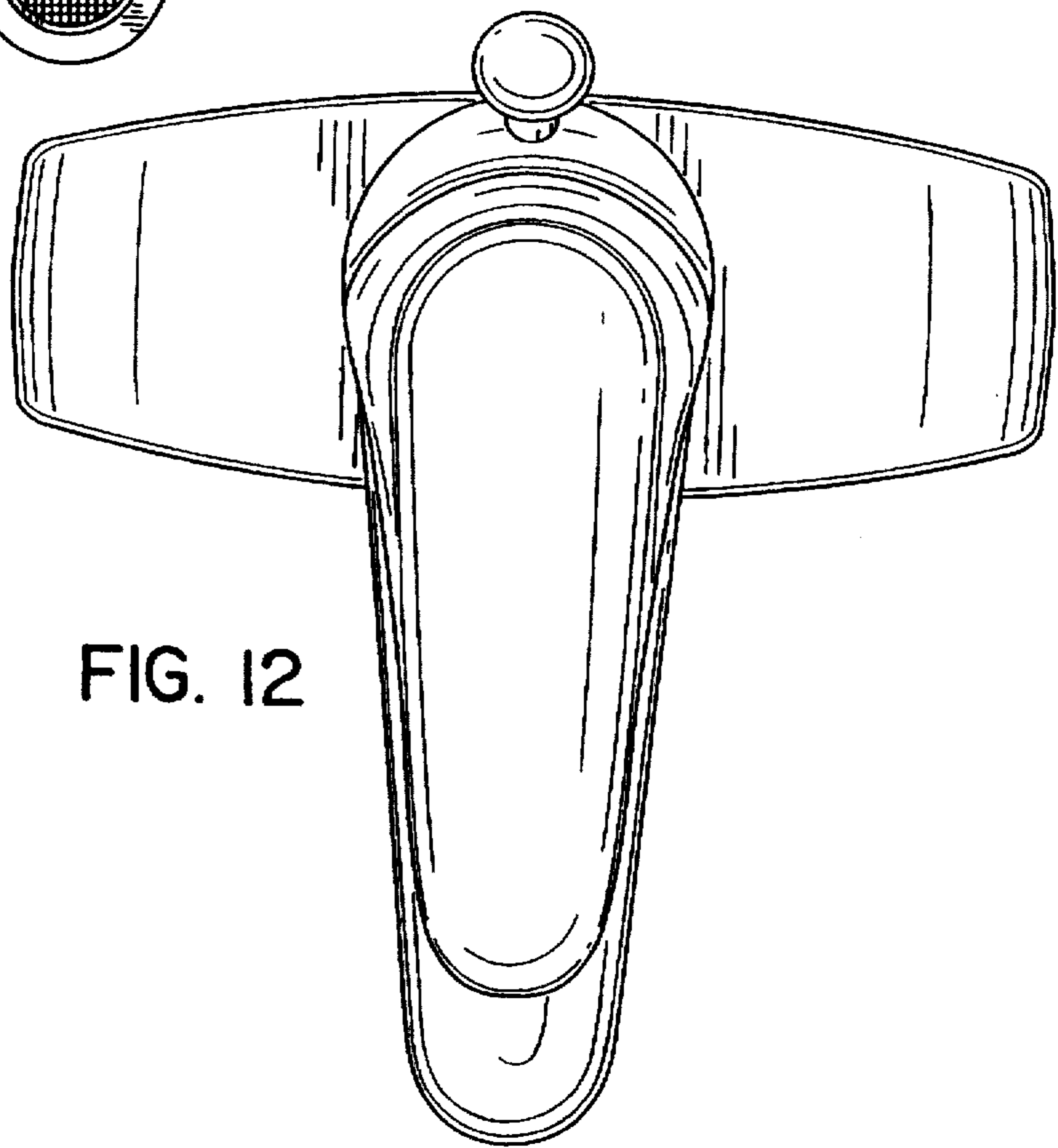


FIG. 12