



US00D389896S

United States Patent [19]
Salvucci, Sr.

[11] **Patent Number: Des. 389,896**
[45] **Date of Patent: **Jan. 27, 1998**

[54] **CYLINDER STAND**

4,899,895 2/1990 Espasandin 211/71

[75] **Inventor: Frank S. Salvucci, Sr., 2300 Haggin Oaks Blvd., Bakersfield, Calif. 93311**

Primary Examiner—Alan P. Douglas
Assistant Examiner—Robin V. Taylor
Attorney, Agent, or Firm—Antonio M. Fernandez

[73] **Assignee: Frank S. Salvucci, Sr., Delano, Calif.**

[57] **CLAIM**

[**] **Term: 14 Years**

The ornamental design for a cylinder stand, as shown and described.

[21] **Appl. No.: 61,603**

DESCRIPTION

[22] **Filed: Oct. 15, 1996**

[51] **LOC (6) Cl. 23-01**

[52] **U.S. Cl. D23/206**

[58] **Field of Search D23/200, 205,
D23/206; 248/146, 346.01, 346.03, 310;
211/71**

FIG. 1 is a perspective view of a cylinder stand showing my new design;

FIG. 2 is a front isometric view thereof;

FIG. 3 is a right side elevational view thereof, the left side being a mirror image; and,

FIG. 4 is a top plan view thereof, the bottom being plain and unornamented.

The broken line showing of a cylinder in FIG. 1 is for illustrative purposes only and forms no part of the claimed design.

[56] **References Cited**

U.S. PATENT DOCUMENTS

- D. 262,078 12/1981 Newton D23/206
- D. 331,792 12/1992 Wilcox D23/206
- 3,791,403 2/1974 Folkerth 211/71

1 Claim, 2 Drawing Sheets

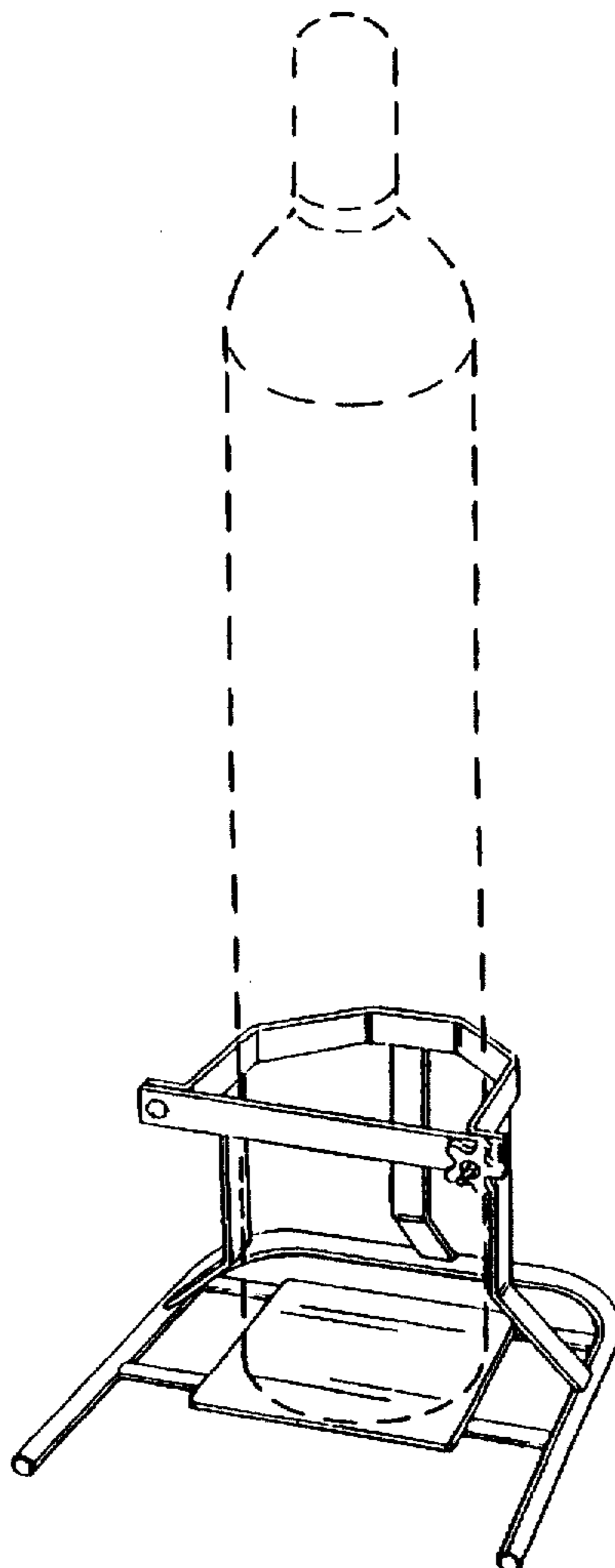


FIG. 1

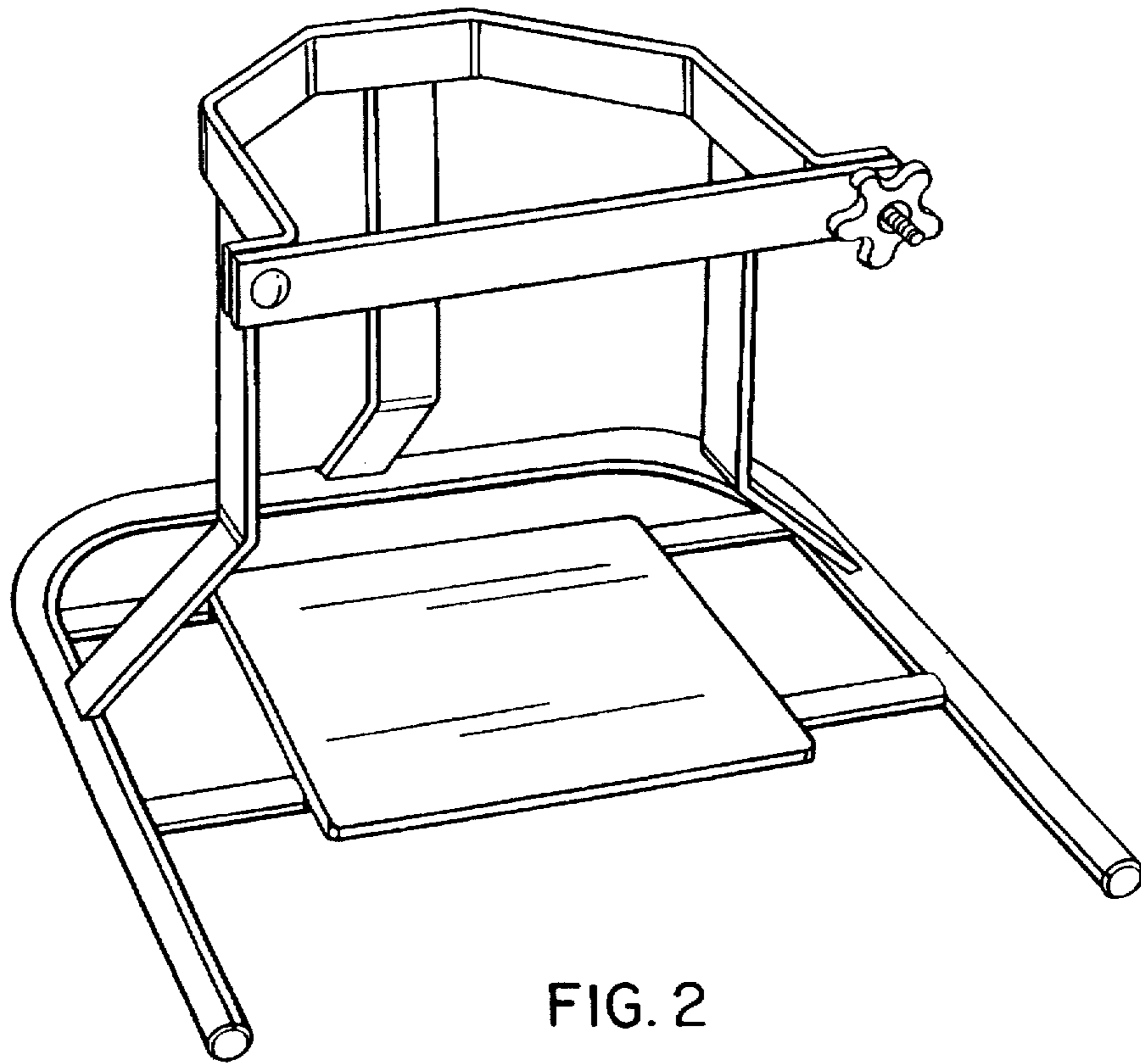
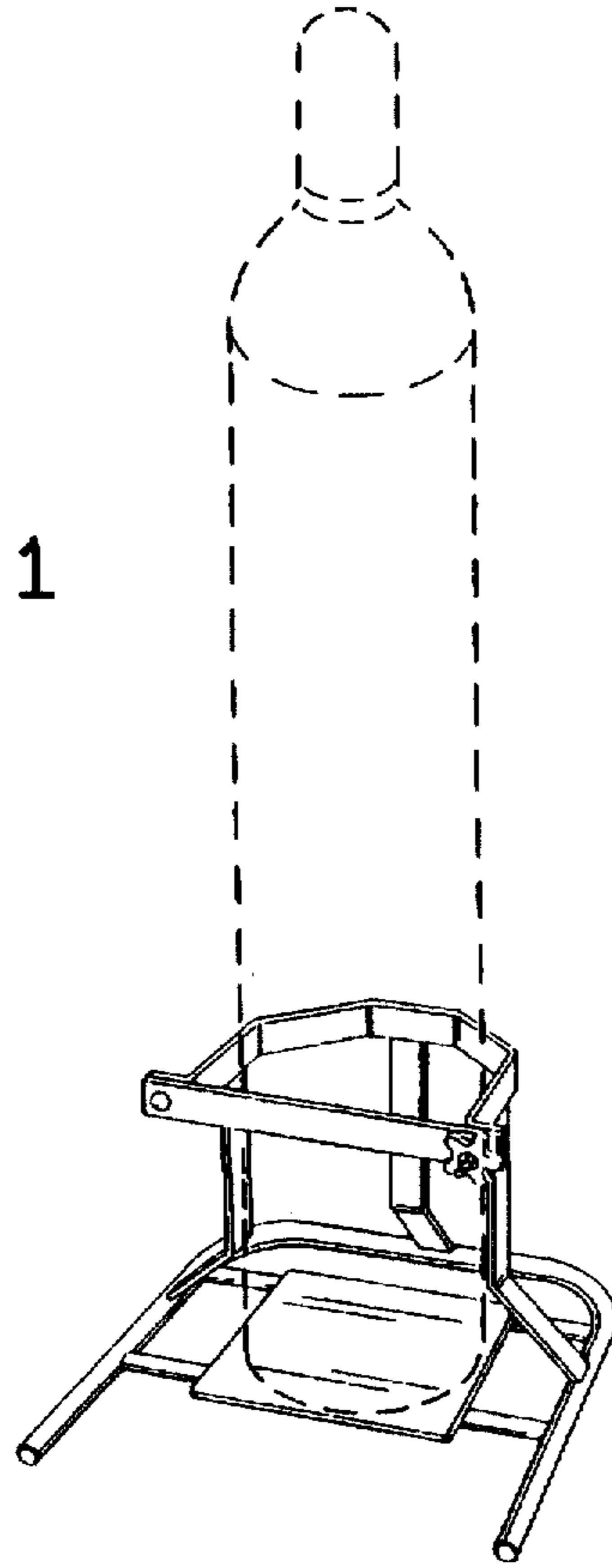


FIG. 2

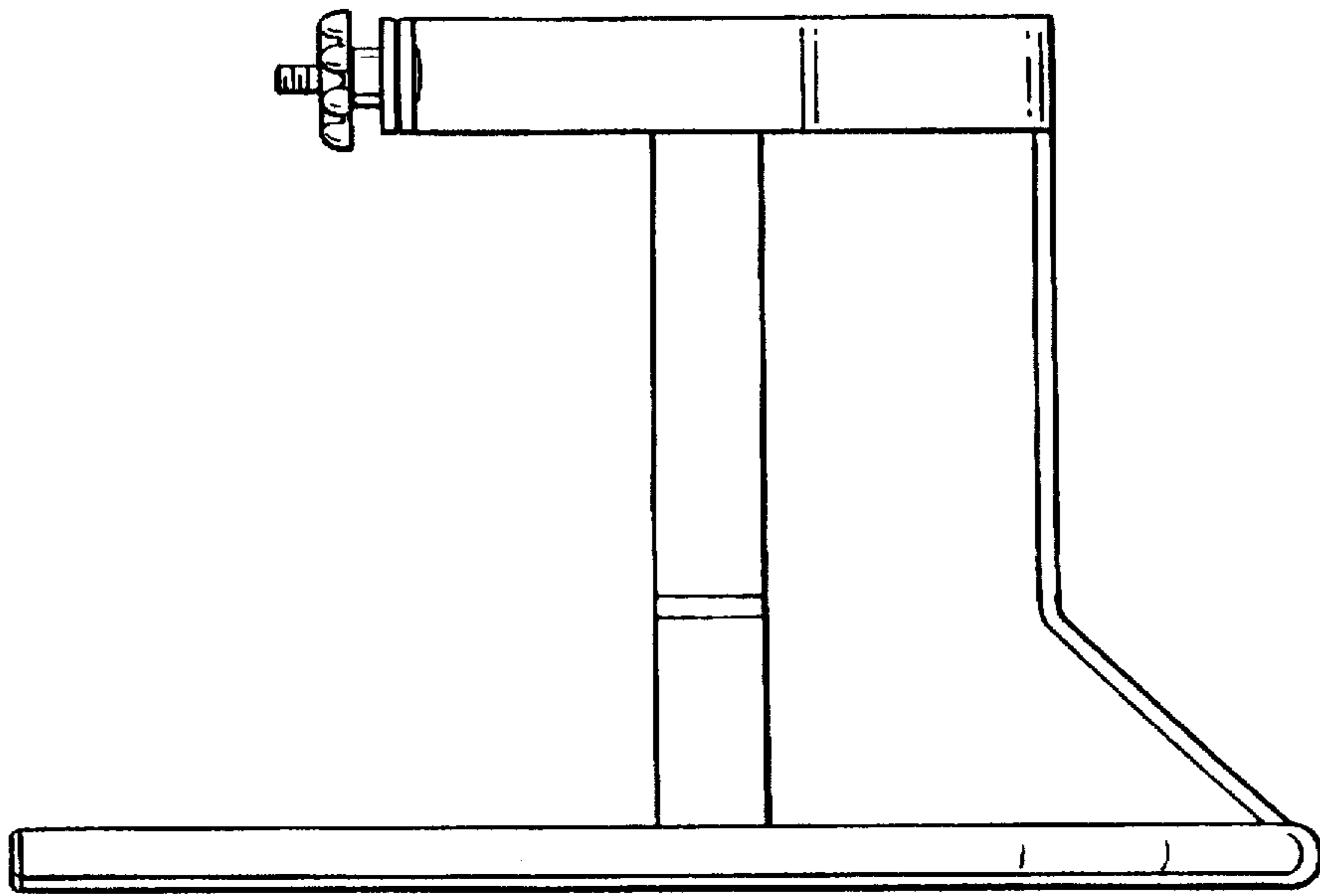


FIG. 3

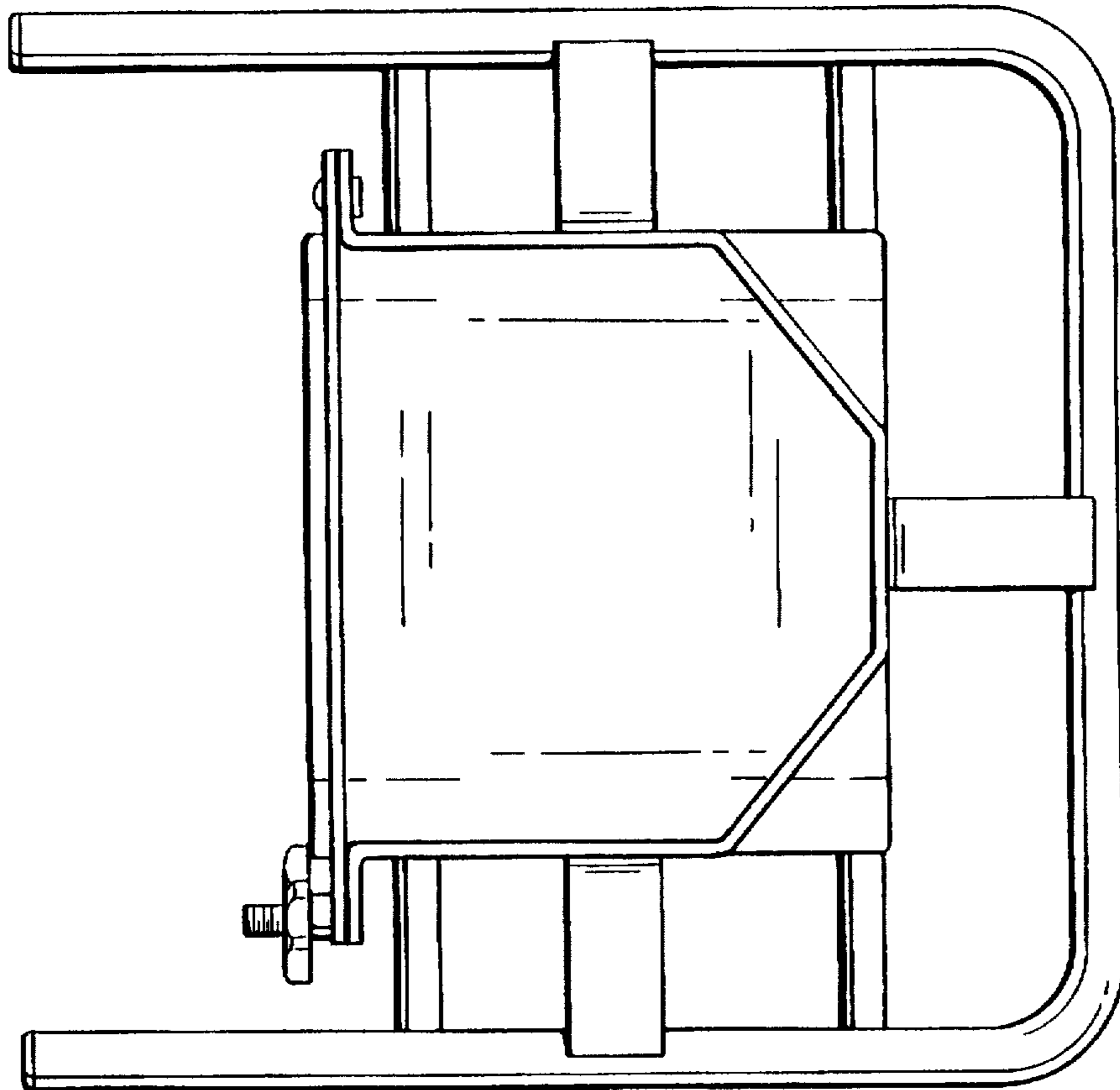


FIG. 4