

US00D389893S

United States Patent [19]
Alleman

[11] **Patent Number: Des. 389,893**
[45] **Date of Patent: **Jan. 27, 1998**

[54] **DIGITAL-AIM ELECTRONIC ARCHERY SIGHT**

[76] **Inventor: Darrin R. Alleman, 3309 4th Ave., Vienna, W. Va. 26105-1617**

[**] **Term: 14 Years**

[21] **Appl. No.: 38,163**

[22] **Filed: Apr. 28, 1995**

[51] **LOC (6) Cl. 22-01**

[52] **U.S. Cl. D22/107; D22/100**

[58] **Field of Search D22/100, 107, D22/115, 199; D10/46, 78; D13/162, 168; D14/114; 33/233, 241, 265, 284; 70/58, 63; 124/86, 87**

[56] **References Cited**

U.S. PATENT DOCUMENTS

D. 224,621 8/1972 Kahn D13/168
D. 279,766 7/1985 Honda D10/46
D. 307,399 4/1990 Collister D10/46

D. 334,065 3/1993 Collister D10/78 X
4,606,629 8/1986 Hines et al. 33/265 X
4,617,741 10/1986 Bordeaux et al. 33/241 X
5,162,725 11/1992 Hodson et al. D10/78 X

Primary Examiner—Louis S. Zarfaz
Assistant Examiner—Monica A. Hannon
Attorney, Agent, or Firm—Harpman & Harpman

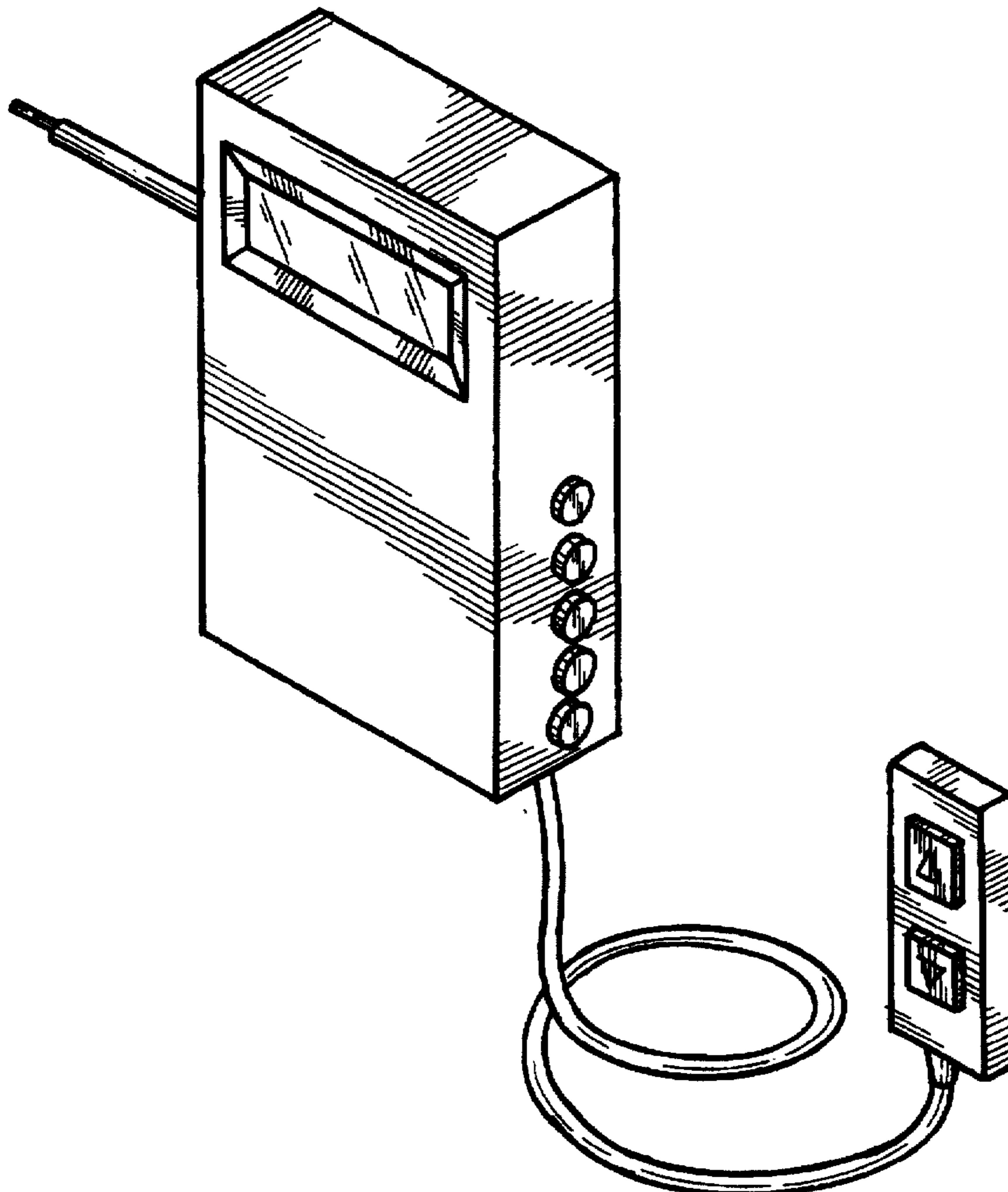
[57] **CLAIM**

The ornamental design for digital-aim electronic archery sight, as shown and described.

DESCRIPTION

FIG. 1 is a front, top and side perspective view of digital-aim electronic archery sight showing my new design;
FIG. 2 is a front elevational view thereof;
FIG. 3 is a rear elevational view thereof;
FIG. 4 is a side elevational view thereof;
FIG. 5 is a side elevational view thereof; and,
FIG. 6 is a top plan view thereof, the bottom being plain and unadorned.

1 Claim, 4 Drawing Sheets



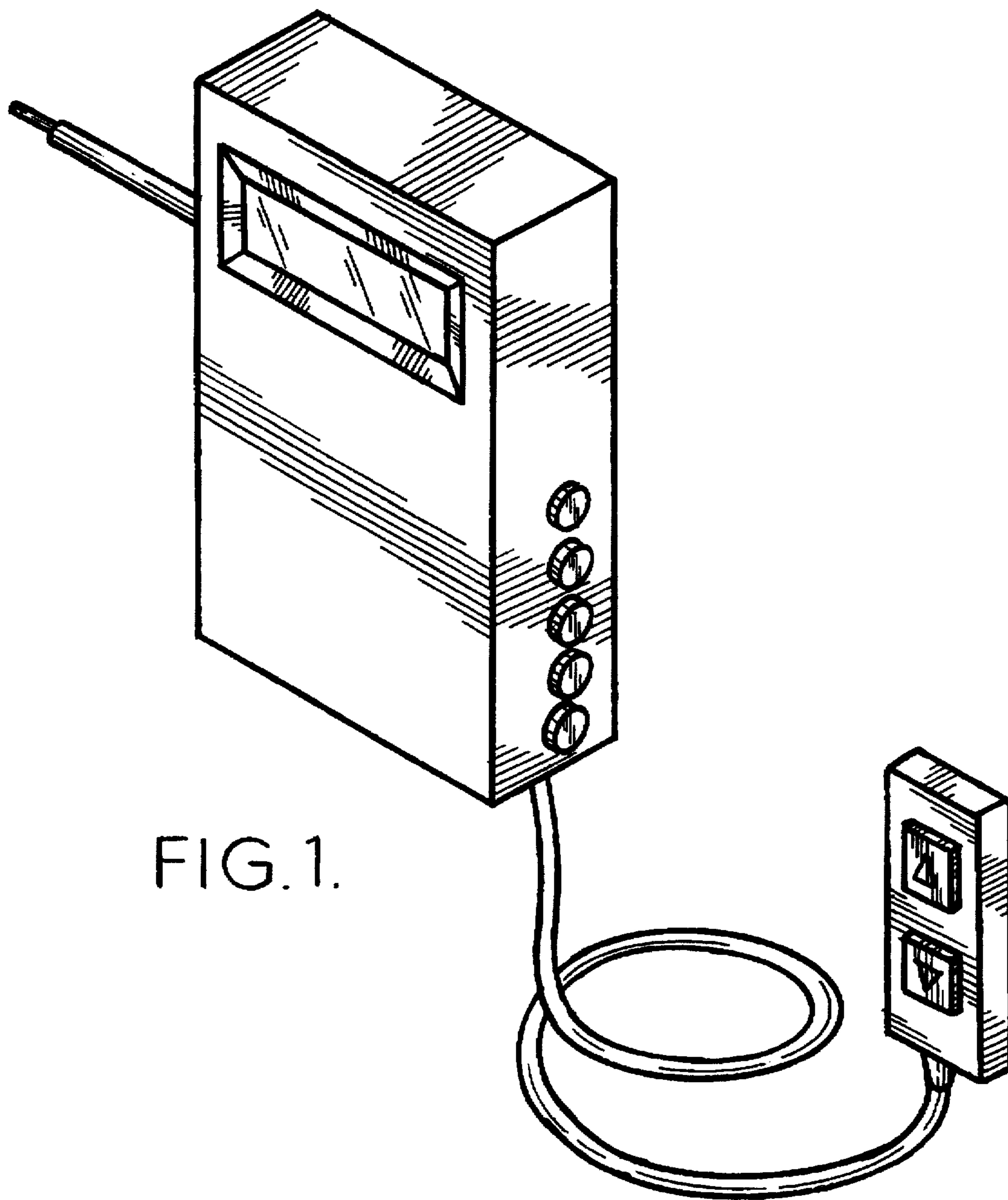


FIG. 1.

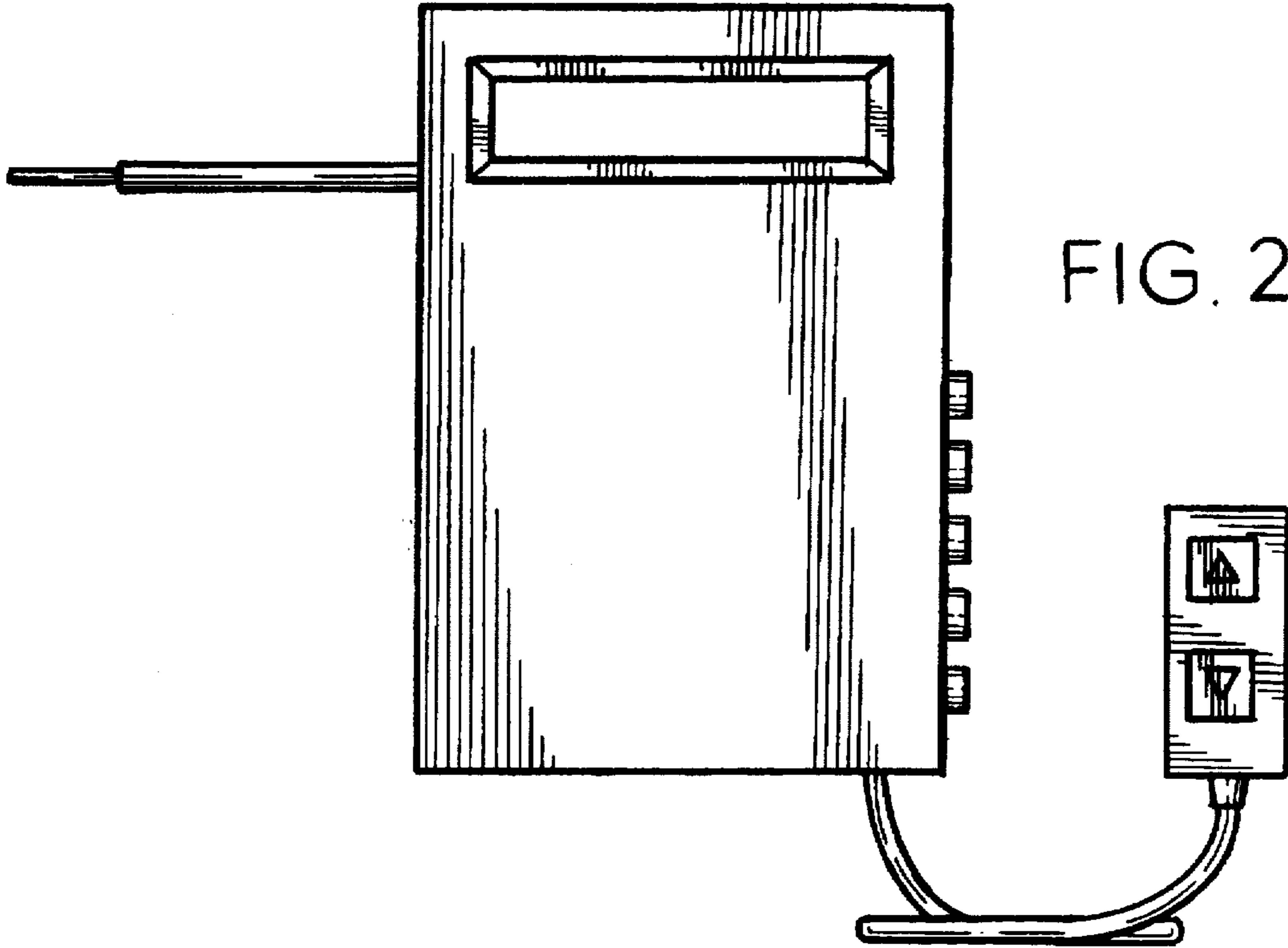


FIG. 2.

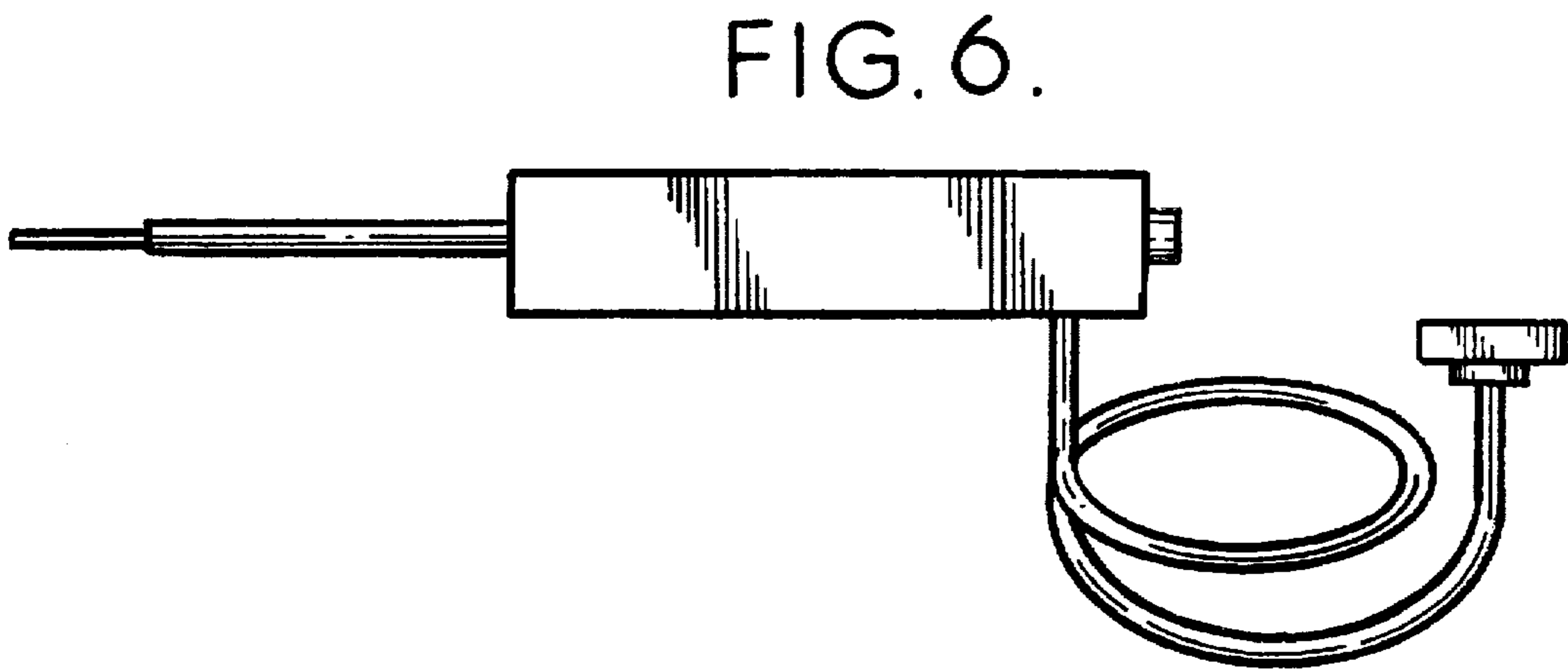


FIG. 6.

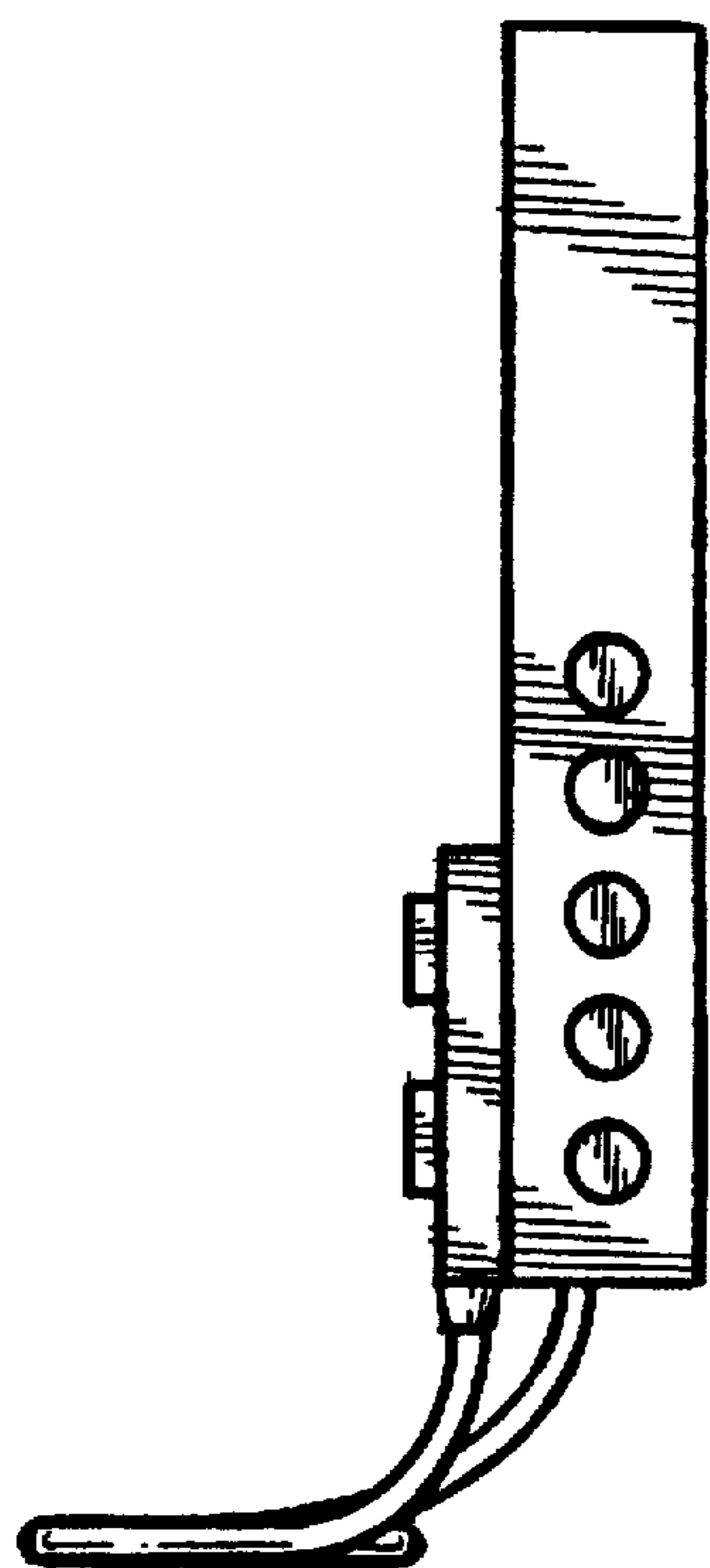


FIG. 4.

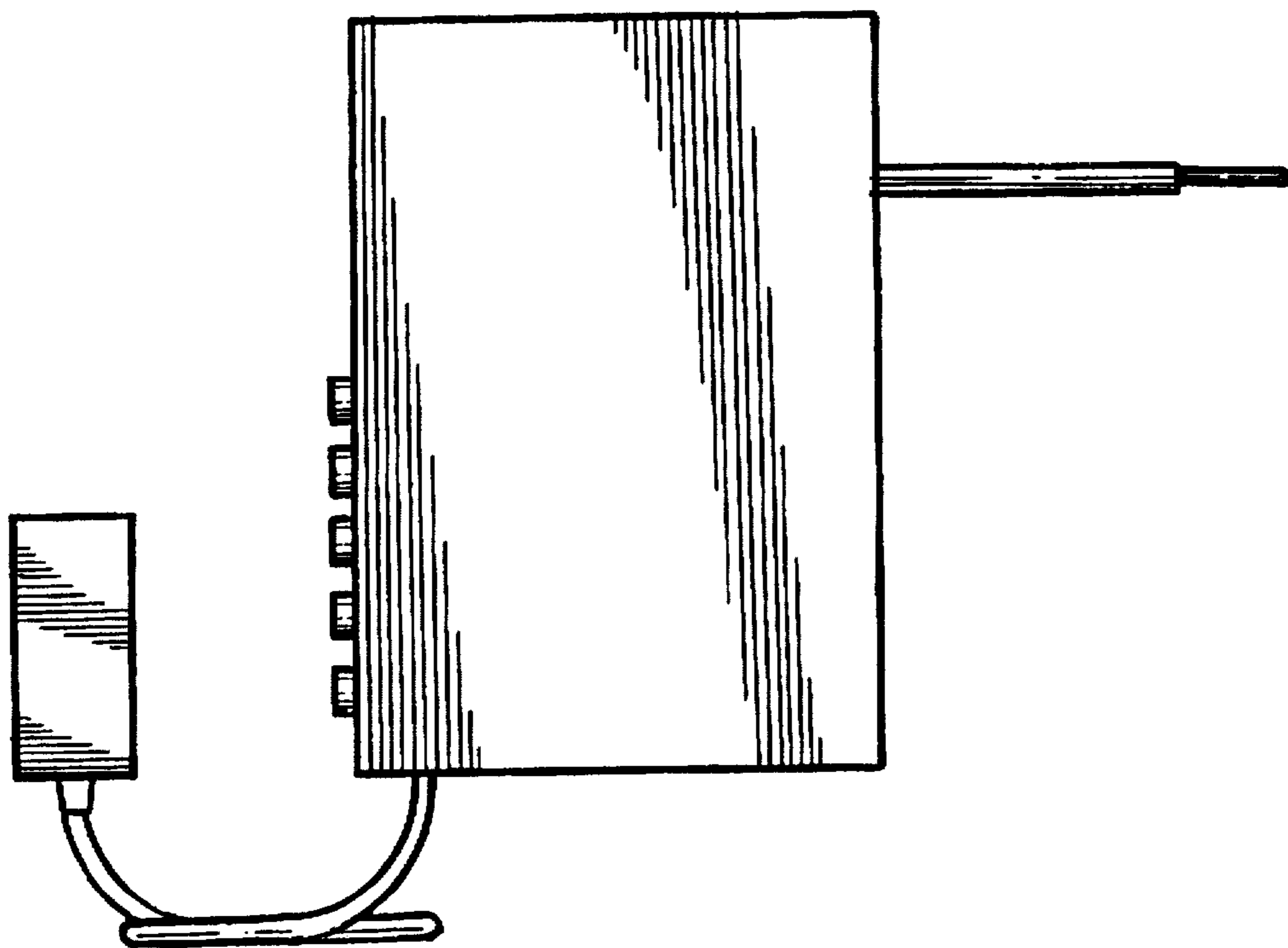


FIG. 3.

FIG. 5.

