



US00D389891S

United States Patent [19] Kawasaki

[11] Patent Number: **Des. 389,891**
[45] Date of Patent: ****Jan. 27, 1998**

[54] **COIN-OPERATED GAME MACHINE FOR RETRIEVING PRIZES**

[75] Inventor: **Eikichi Kawasaki, Suita, Japan**

[73] Assignee: **SNK Corporation, Osaka, Japan**

[**] Term: **14 Years**

[21] Appl. No.: **54,117**

[22] Filed: **May 7, 1996**

[51] LOC (6) Cl. **21-03**

[52] U.S. Cl. **D21/240**

[58] Field of Search **D21/240; 273/487, 273/488; 312/265.3, 265.5**

[56] **References Cited**

U.S. PATENT DOCUMENTS

D. 80,489	2/1930	Meyer	D21/240
D. 86,580	3/1932	Meyer	D21/240
D. 87,934	10/1932	Meyer	D21/240
D. 90,242	7/1933	Gast	D21/240
D. 90,410	8/1933	Meyer	D21/240
D. 95,156	8/1935	Soellner	D21/240
D. 113,218	2/1939	Collins	D21/240
D. 366,304	1/1996	Lewis	D21/240
5,271,628	12/1993	Okada	273/448
5,527,044	6/1996	Lee et al.	273/448

Primary Examiner—Terry A. Wallace
Attorney, Agent, or Firm—Sheppard, Mullin Richter & Hampton LLP

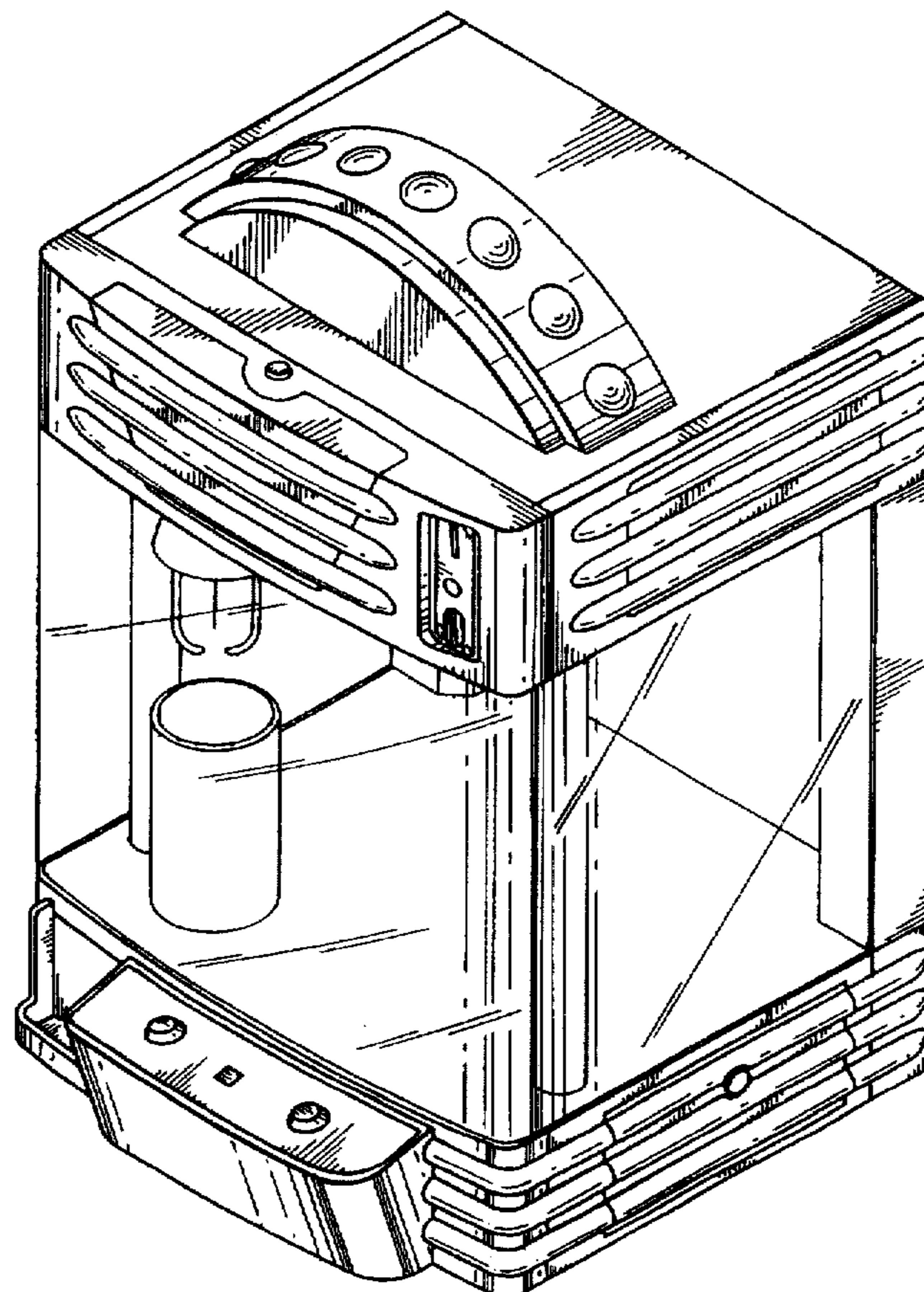
[57] **CLAIM**

The ornamental design for a coin-operated game machine for retrieving prizes, as shown and described.

DESCRIPTION

FIG. 1 is a front and right side perspective view of a coin-operated game machine for retrieving prizes showing my new design;
 FIG. 2 is a top plan view thereof;
 FIG. 3 is a front view thereof;
 FIG. 4 is a right side view thereof;
 FIG. 5 is a rear view thereof;
 FIG. 6 is a left side view thereof;
 FIG. 7 is a bottom plan view thereof;
 FIG. 8 is a front and side perspective view of a second embodiment of the coin-operated game machine for retrieving prizes as disclosed in FIG. 1;
 FIG. 9 is a top plan view of FIG. 8;
 FIG. 10 is a front view of FIG. 8;
 FIG. 11 is a right side view of FIG. 8;
 FIG. 12 is a rear view of FIG. 8;
 FIG. 13 is a left side view of FIG. 8; and,
 FIG. 14 is a bottom plan view of FIG. 8.

1 Claim, 6 Drawing Sheets



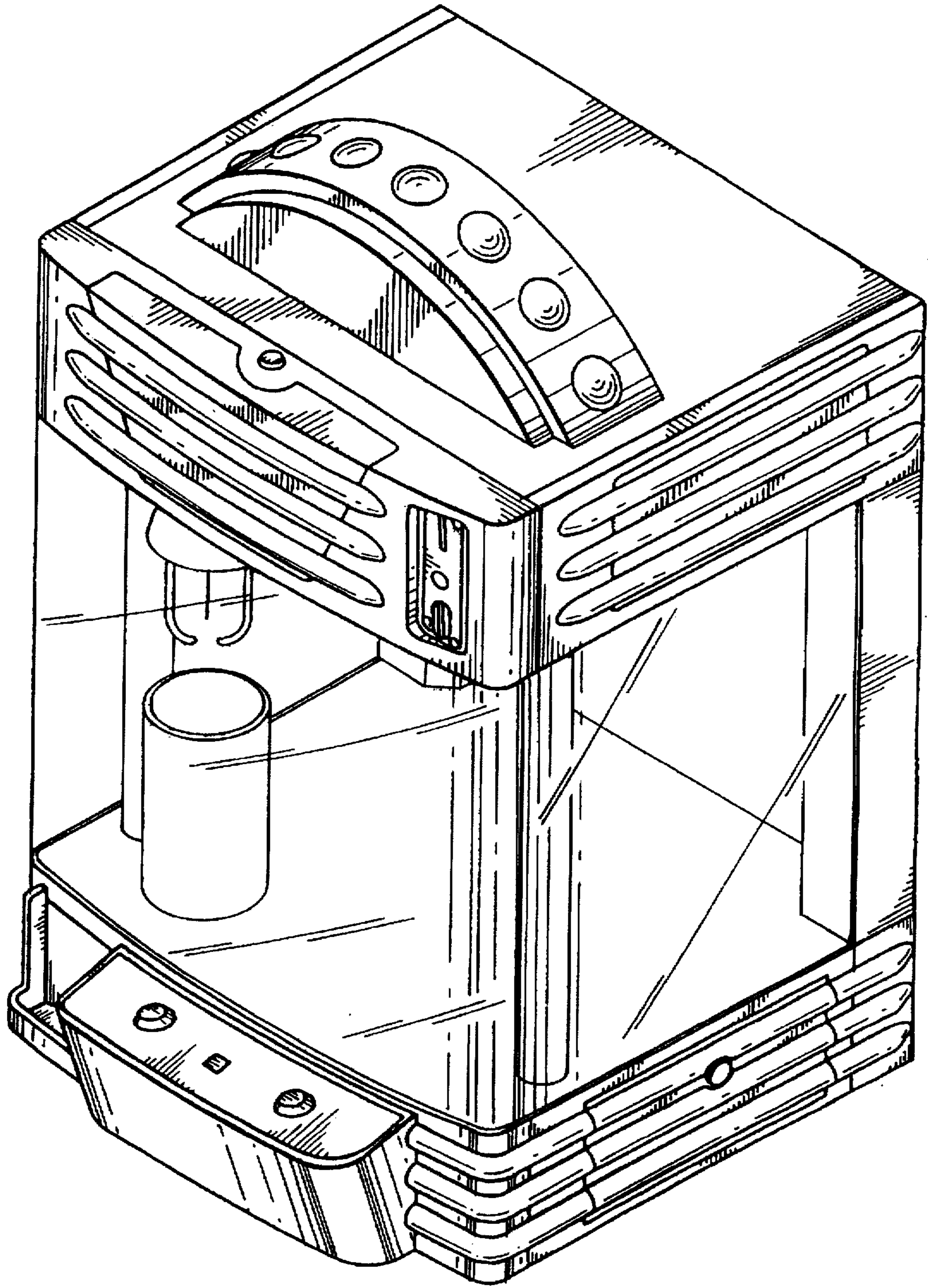


FIG. 1

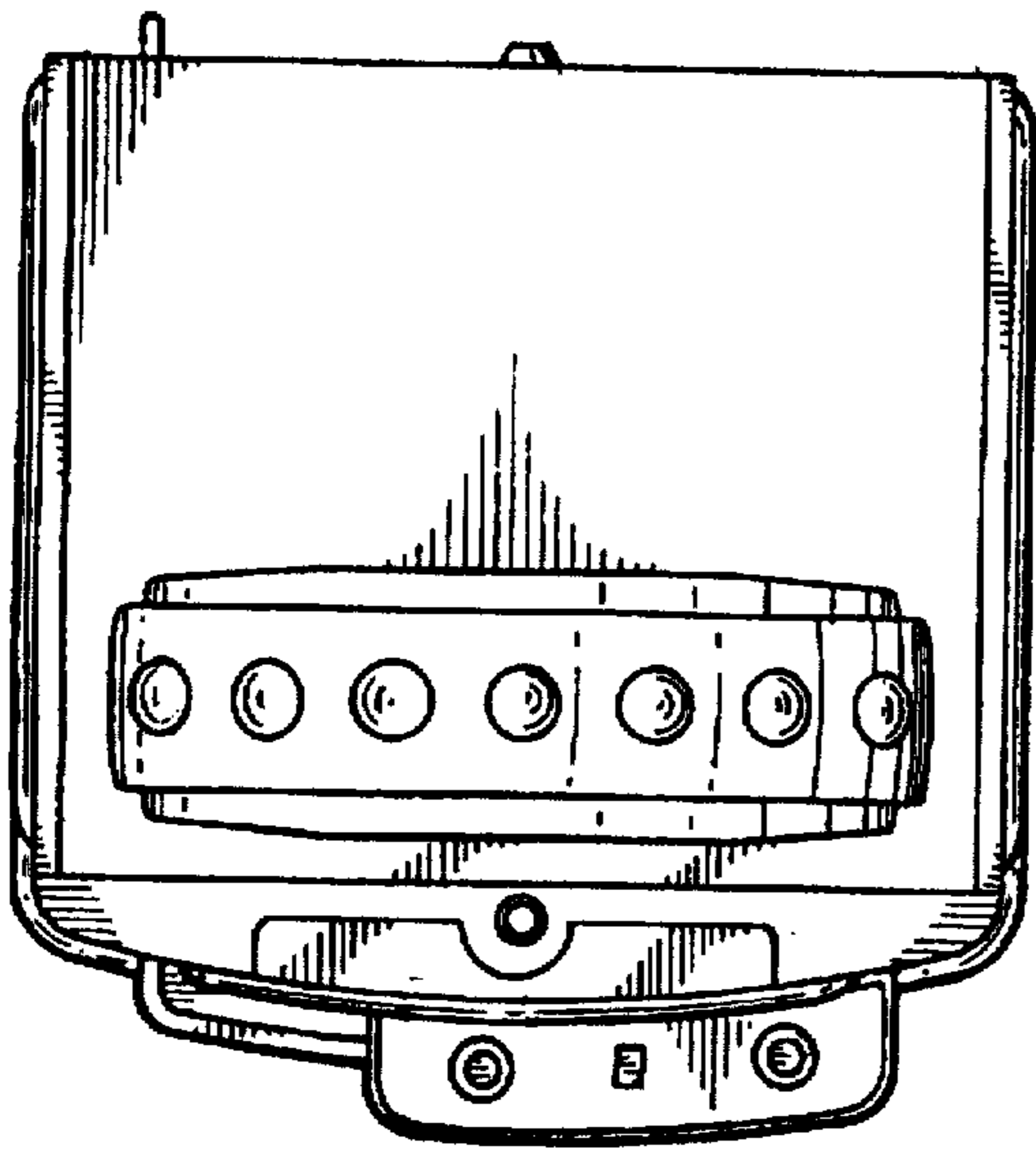


FIG. 2

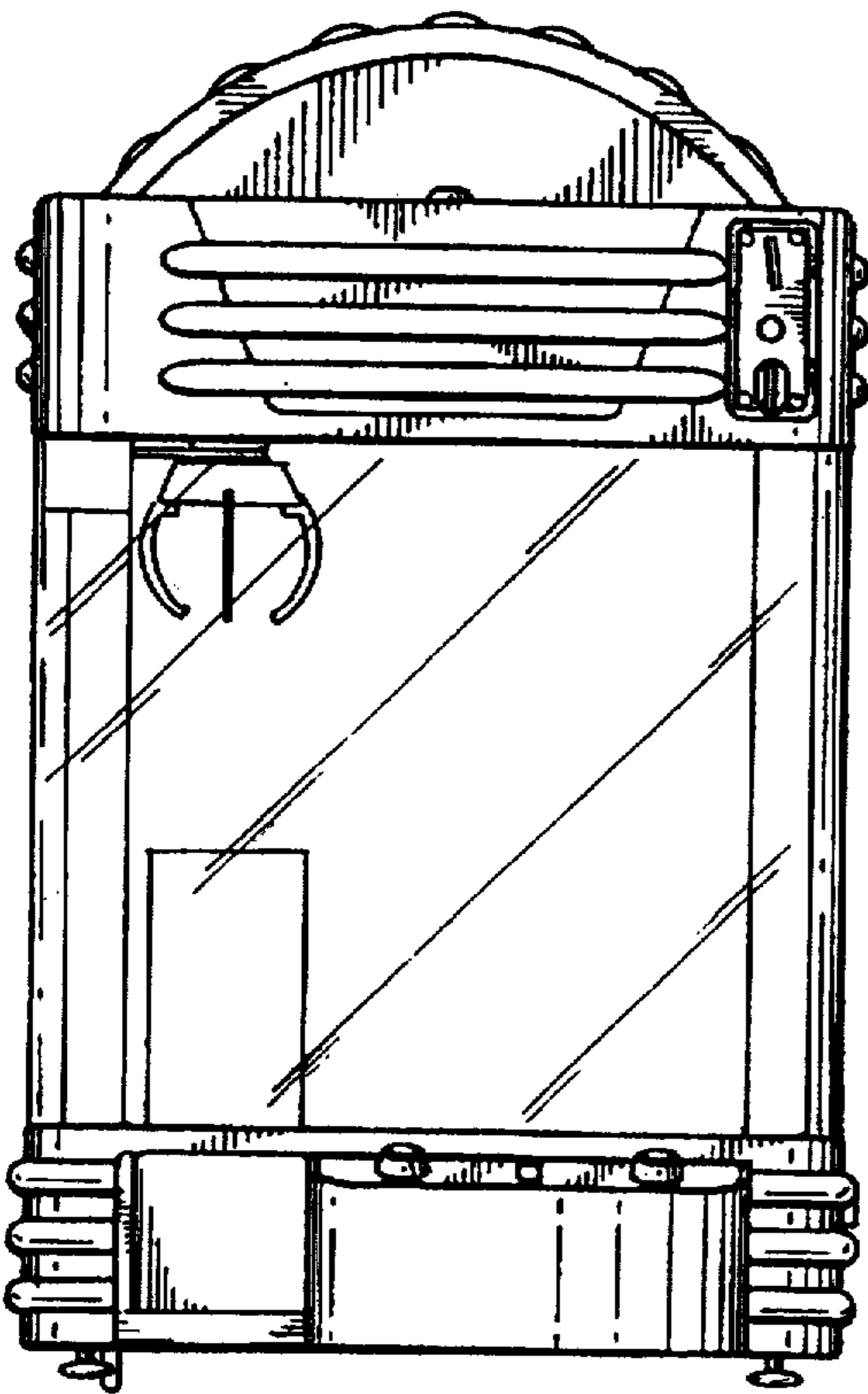


FIG. 3

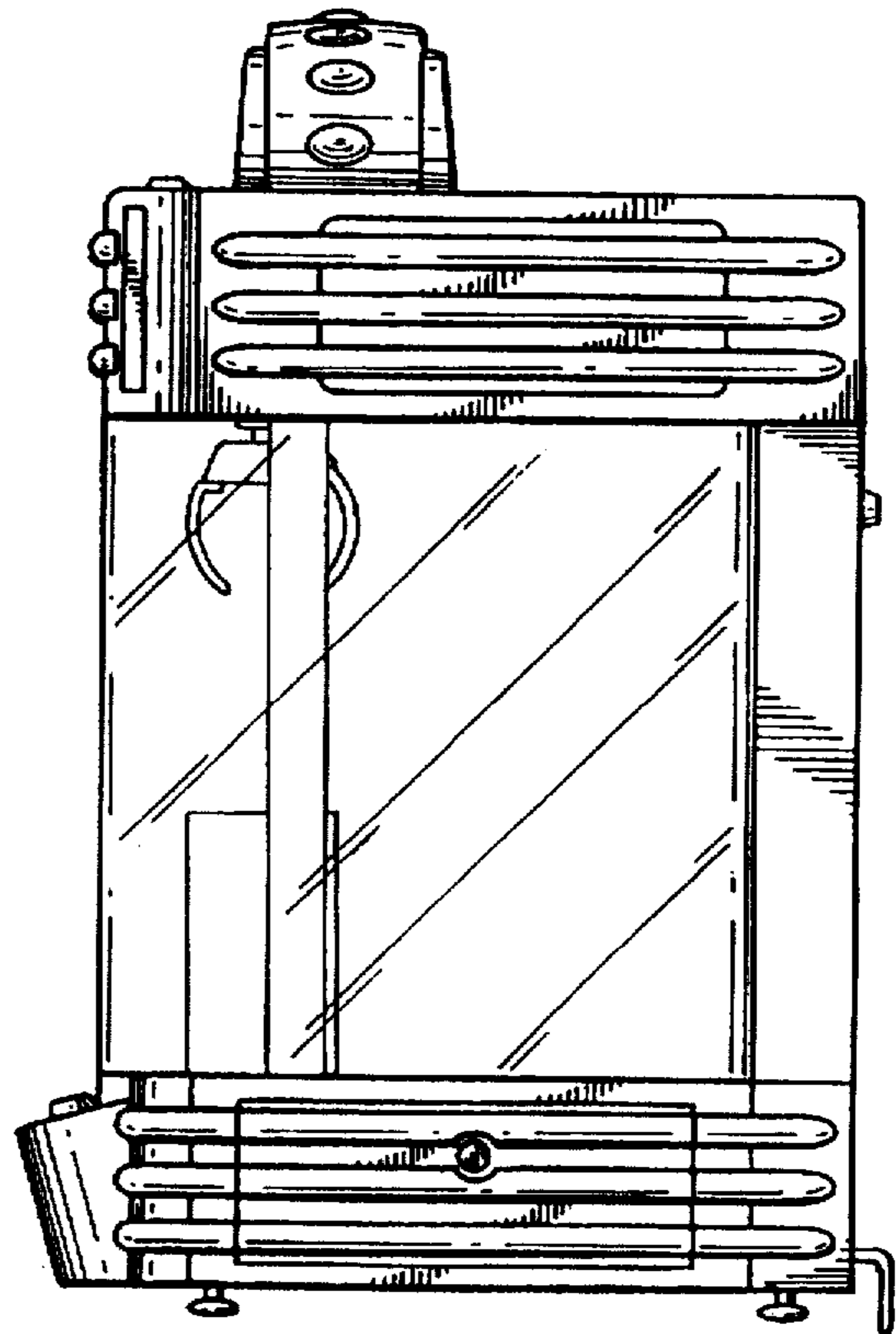


FIG. 4

FIG. 5

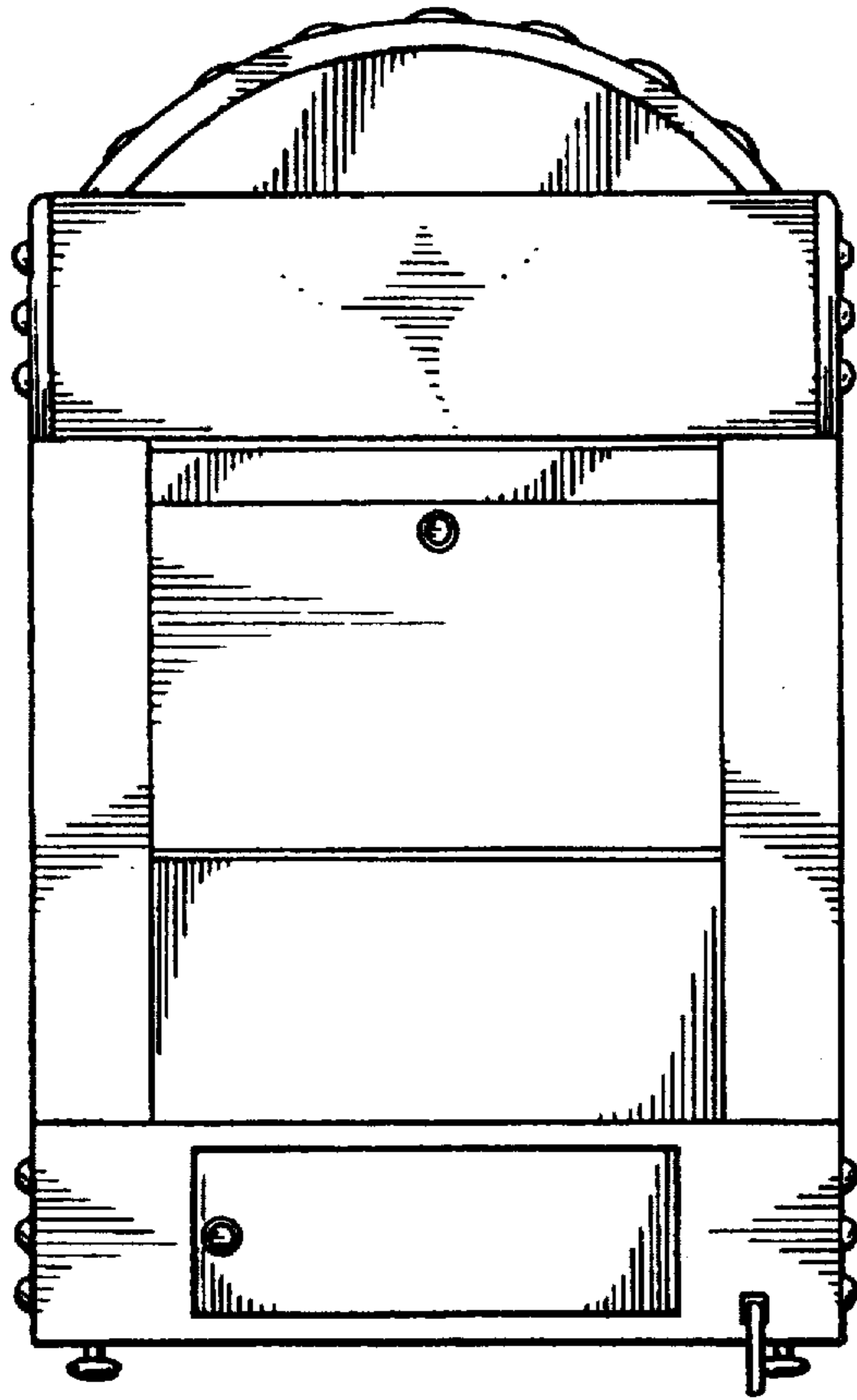


FIG. 6

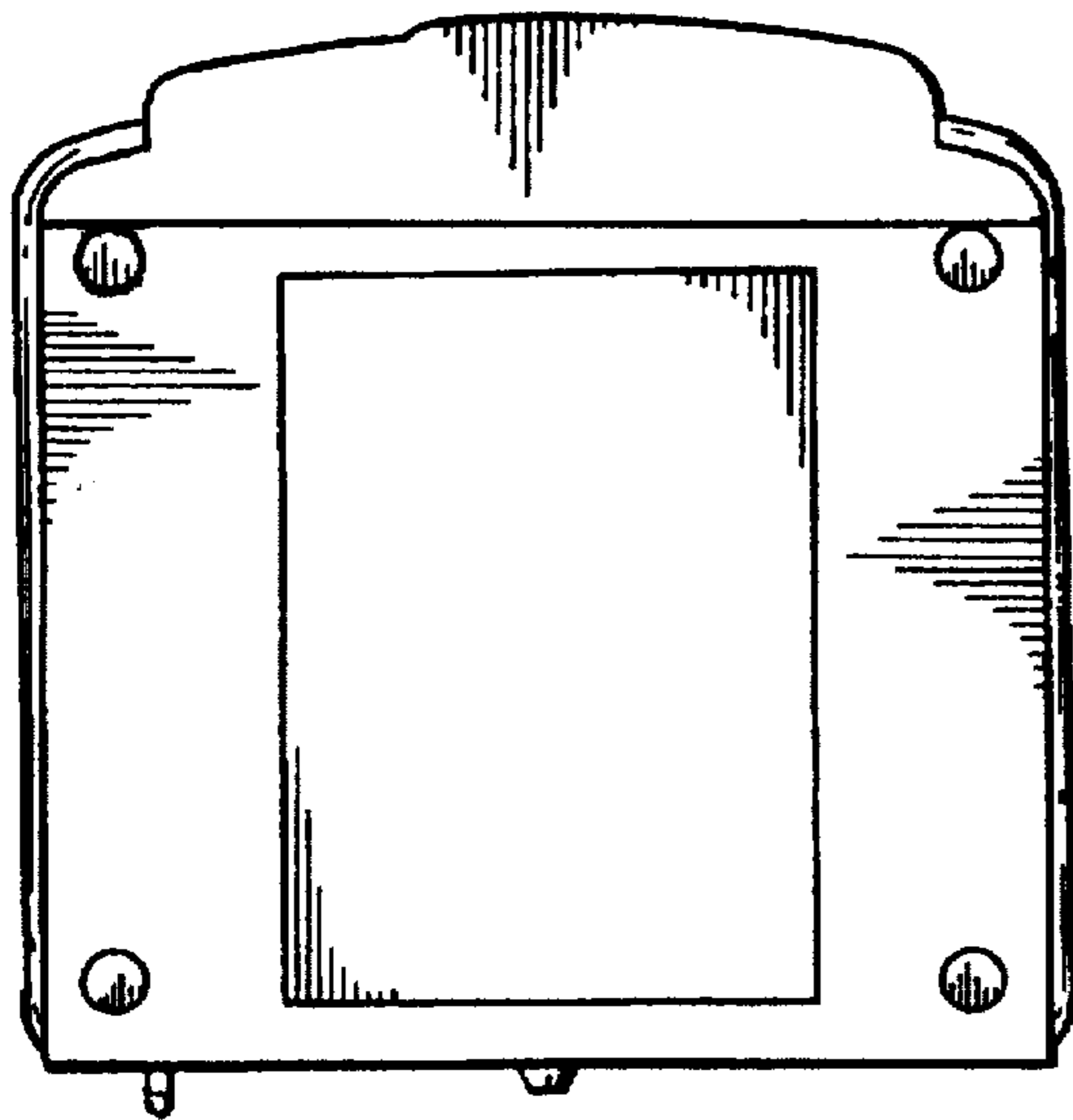
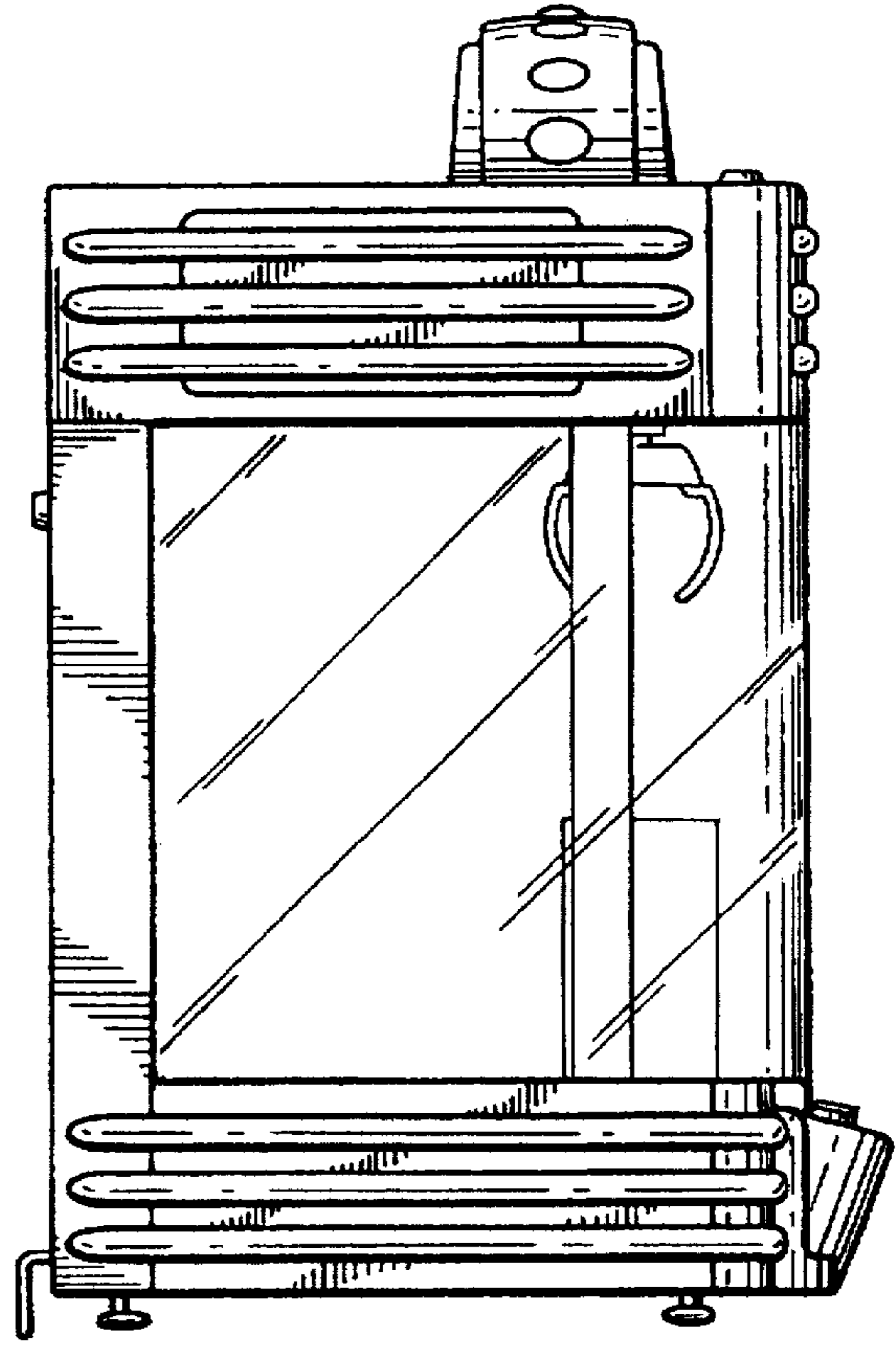


FIG. 7

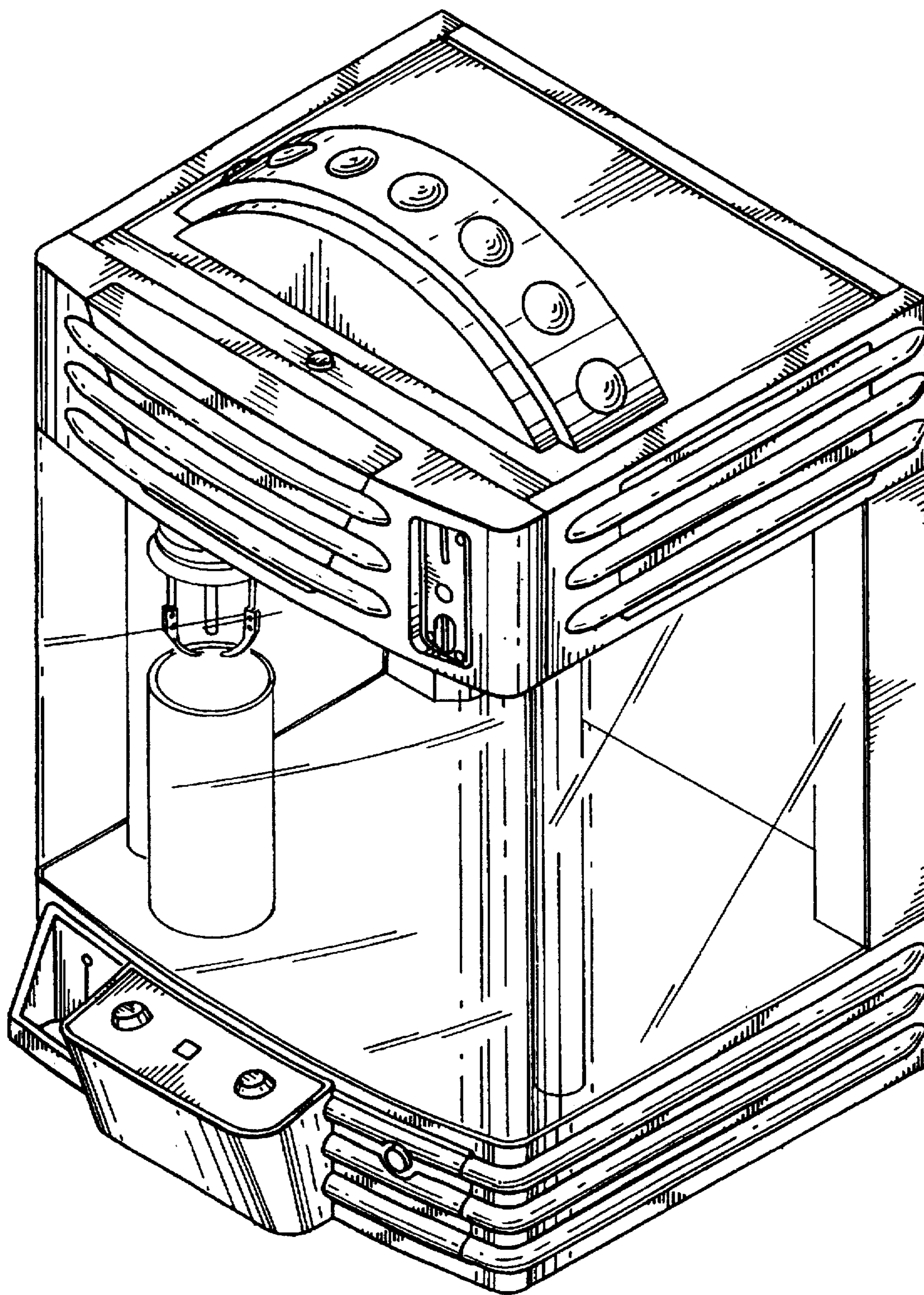


FIG. 8

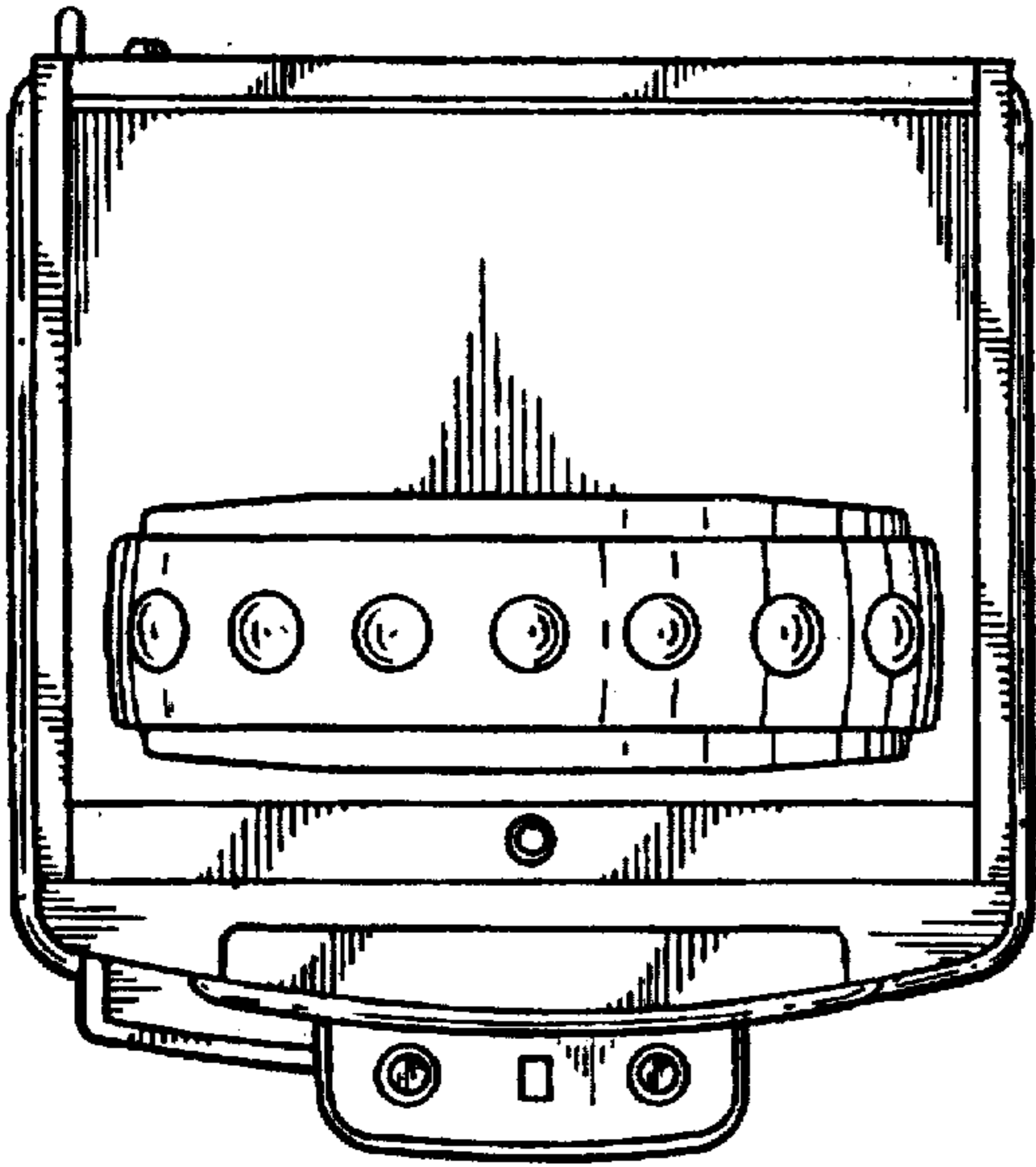


FIG. 9

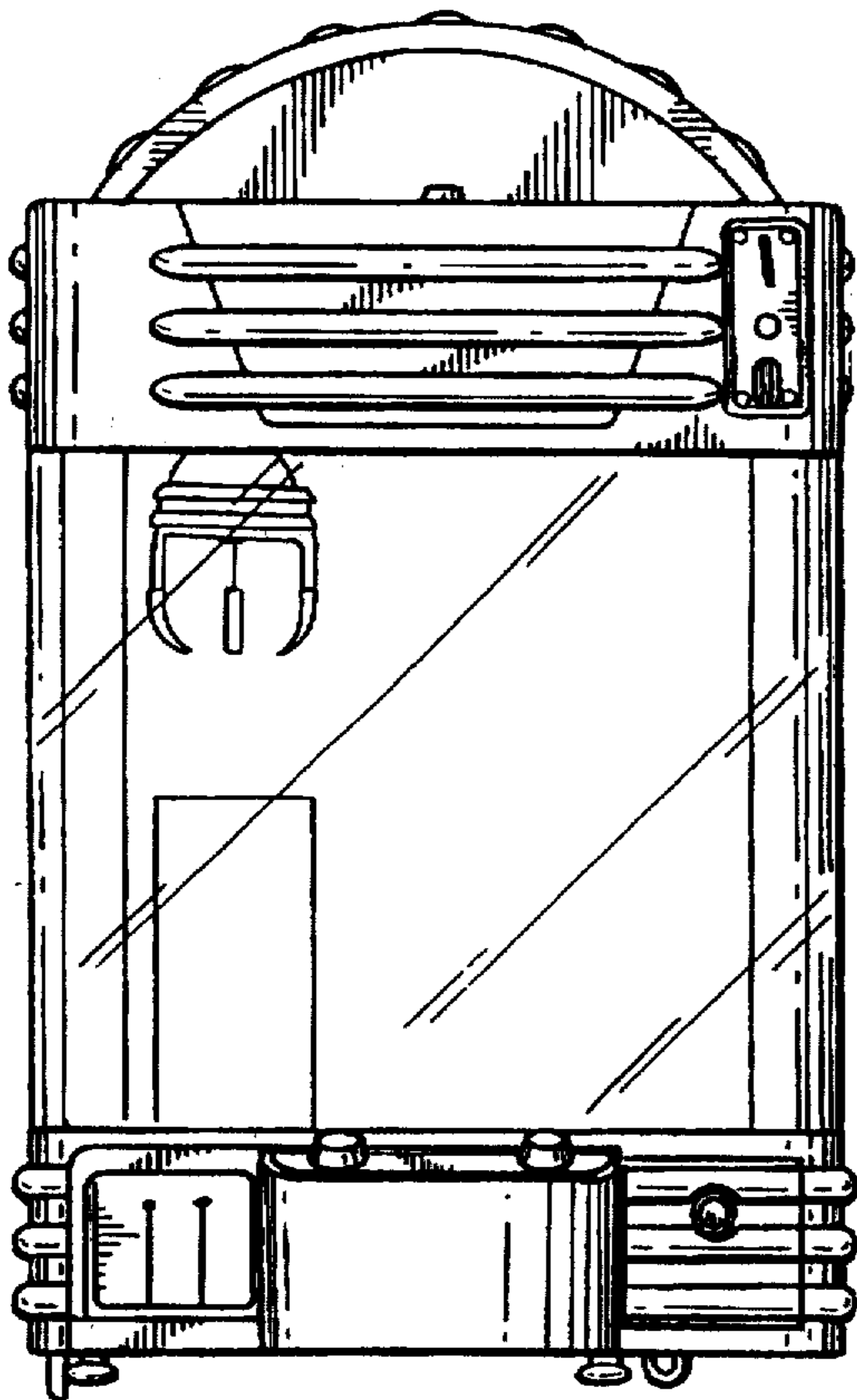


FIG. 10

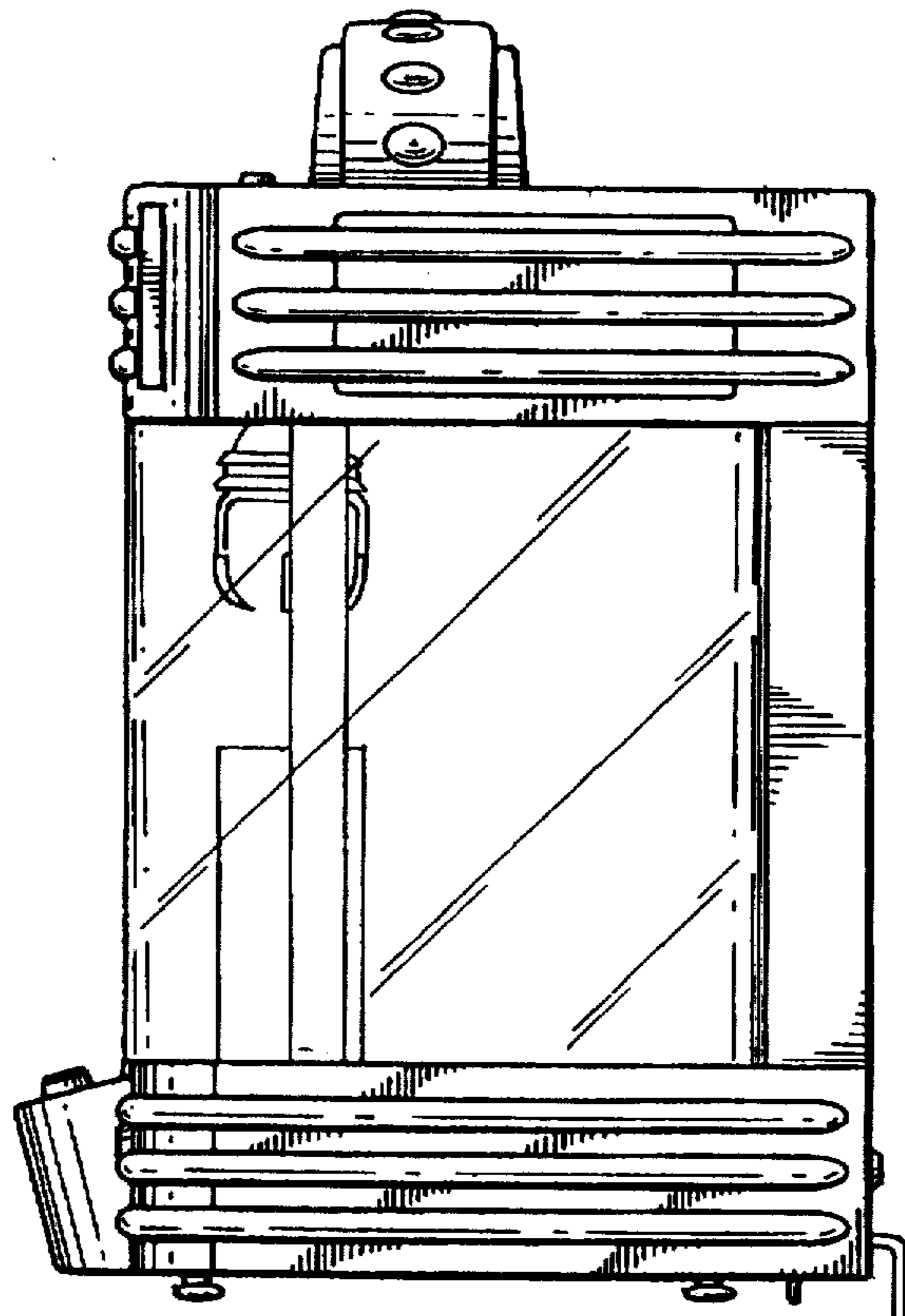


FIG. 11

FIG. 12

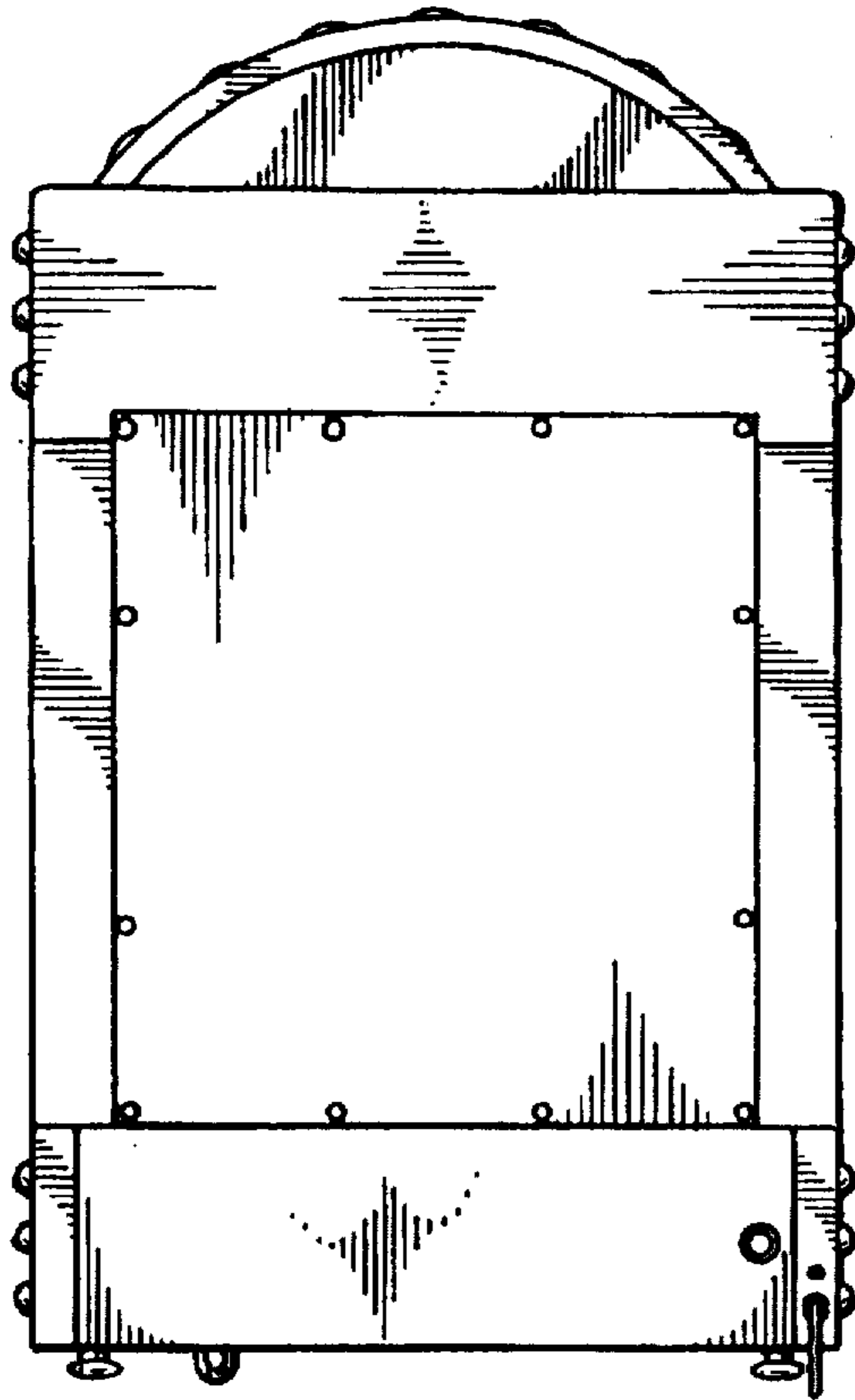


FIG. 13

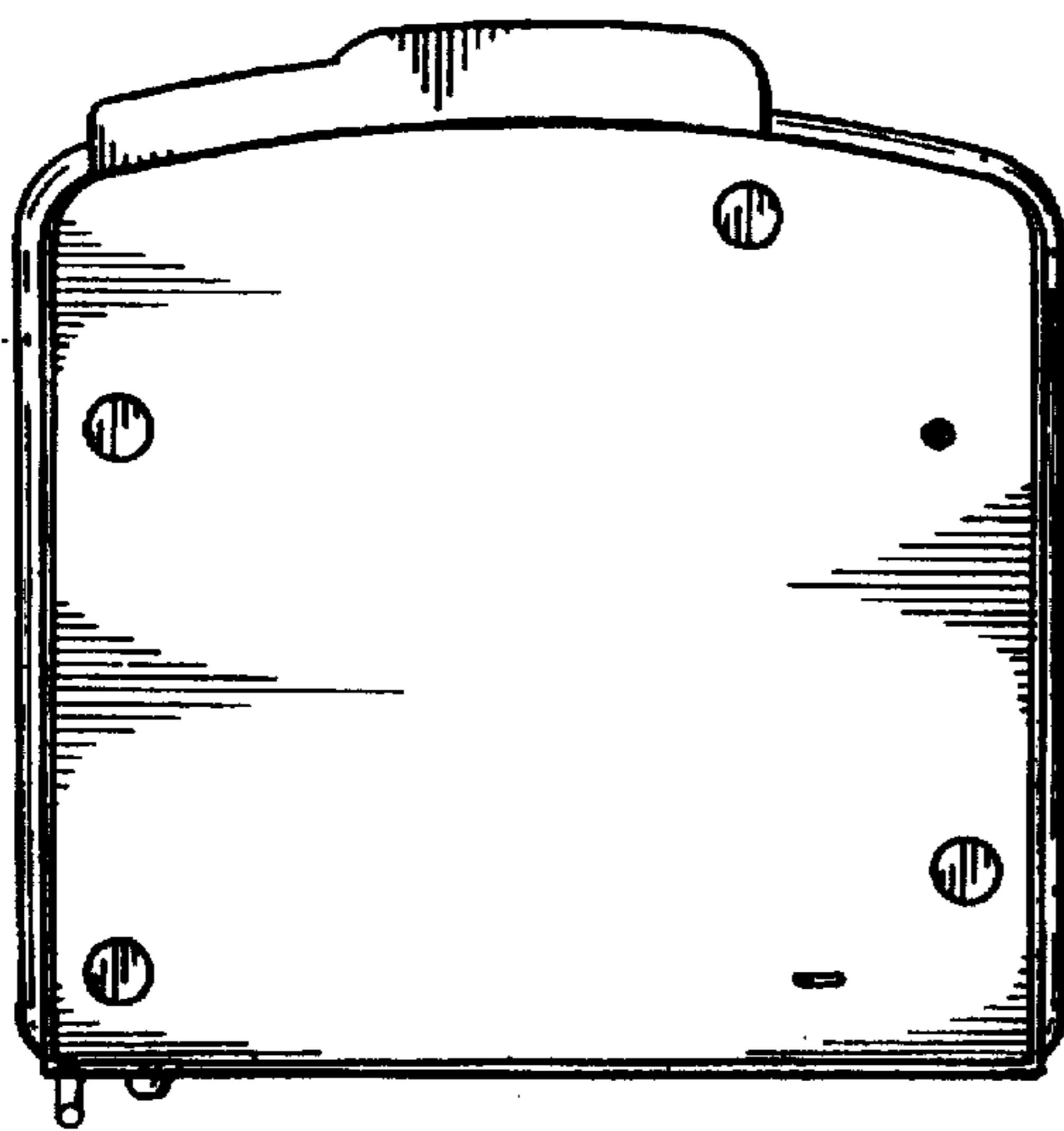
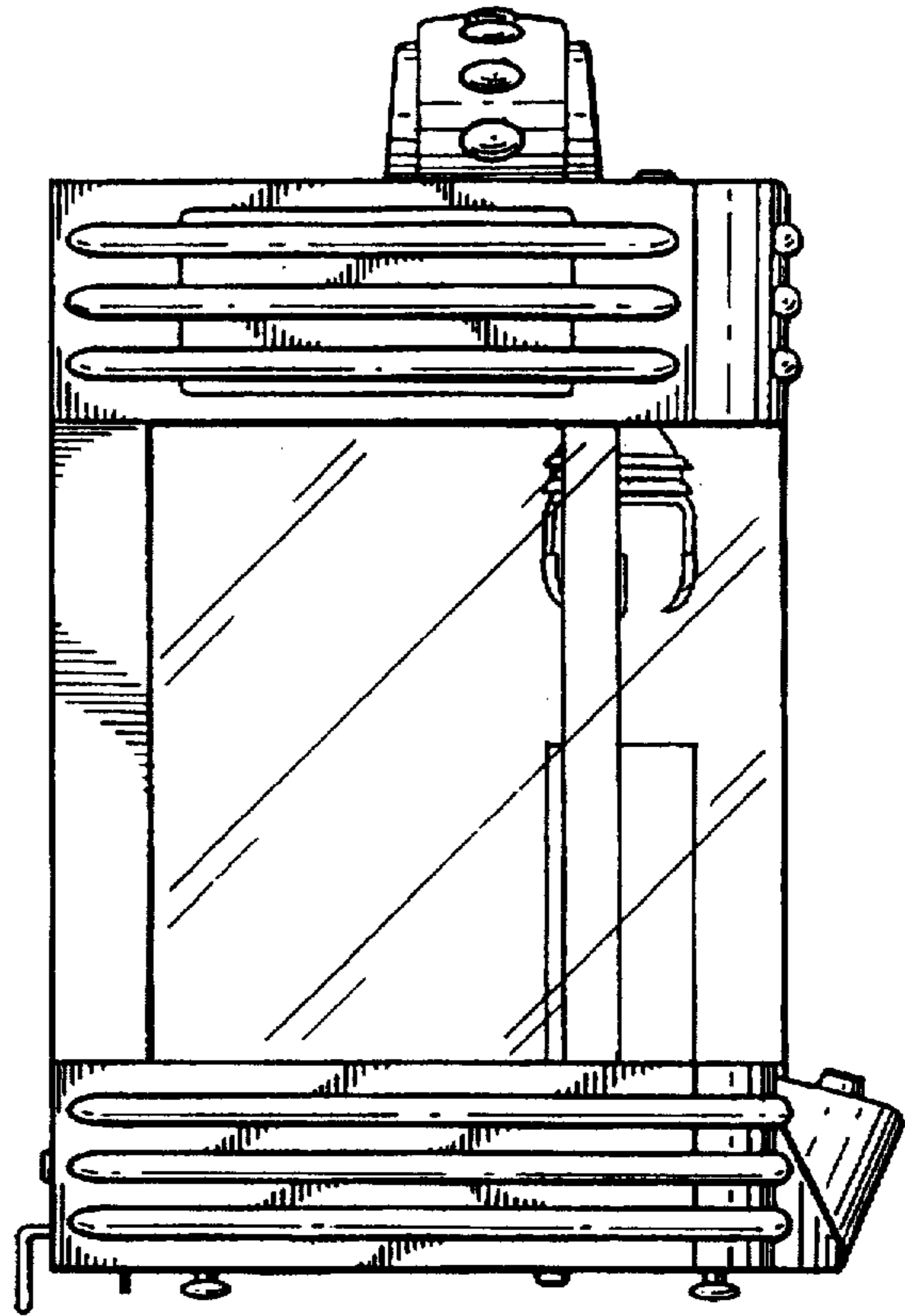


FIG. 14