

US00D389888S

# United States Patent [19]

Weissenborn

[11] Patent Number: **Des. 389,888**

[45] Date of Patent: **\*\*Jan. 27, 1998**

[54] **CROSS-COUNTRY SKI VICE**

[76] Inventor: **Richard K. Weissenborn**, 3017-6th Street SW., Calgary, Alberta, Canada, T2S 2M1

[\*\*] Term: **14 Years**

[21] Appl. No.: **53,846**

[22] Filed: **Mar. 29, 1996**

[51] LOC (6) Cl. .... **21-02**

[52] U.S. Cl. .... **D21/230**

[58] Field of Search ..... D21/230, 229, D21/228; 280/809

[56] **References Cited**

**FOREIGN PATENT DOCUMENTS**

3124794	1/1983	Germany	.....	280/809
218837	2/1985	Germany	.....	280/809

*Primary Examiner—Kay H. Chin  
Attorney, Agent, or Firm—Biebel & French*

[57] **CLAIM**

The ornamental design for a cross-country ski vice, as shown and described.

**DESCRIPTION**

FIG. 1 is a perspective view of cross-country ski vice showing my new design;

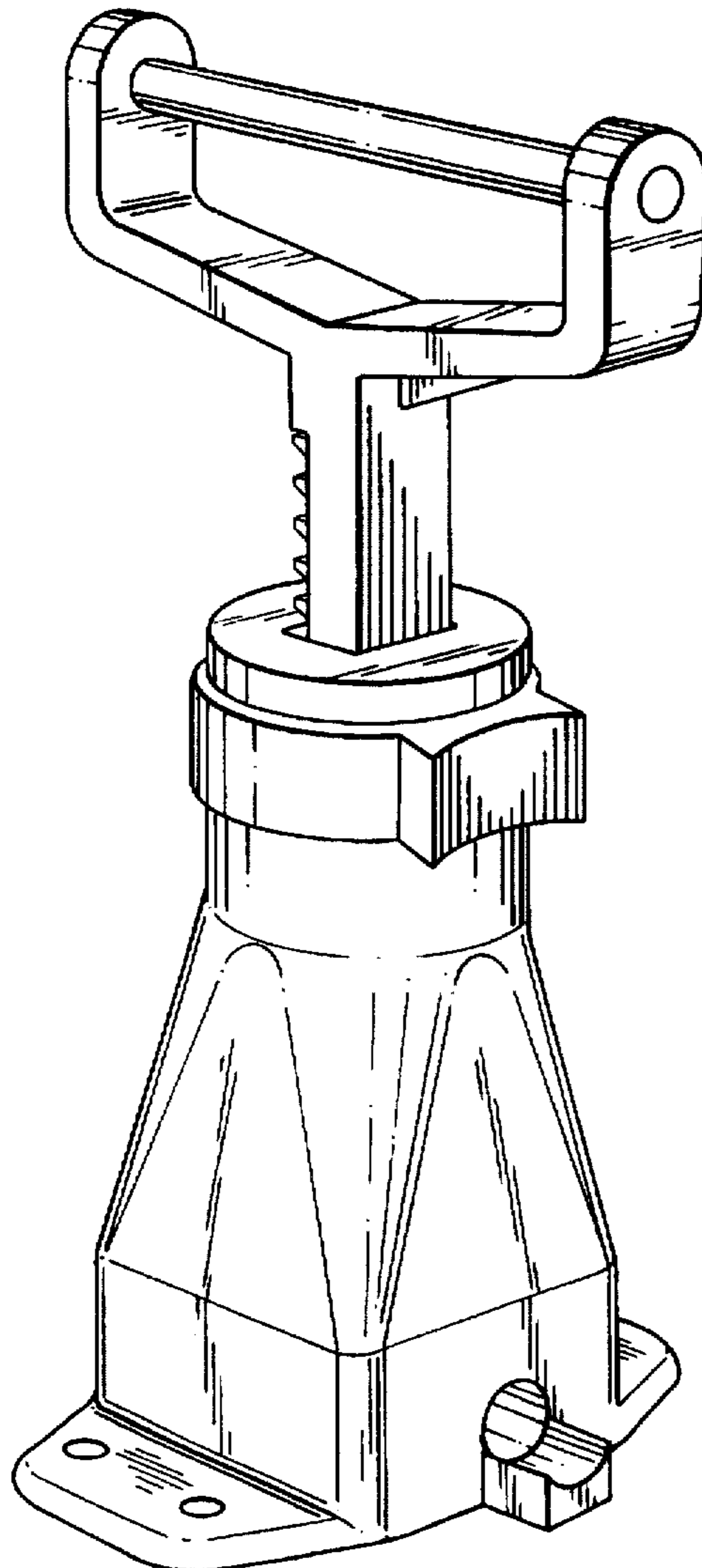
FIG. 2 is a side elevation view thereof;

FIG. 3 is a top plan view thereof;

FIG. 4 is a front elevation view thereof; and,

FIG. 5 is a perspective view illustrating the manner in which the cross-contry ski vice is utilized in conjunction with other equipment to fix a cross-country ski to a workbench to allow maintenance work to be done on the ski surfaces etc.

**1 Claim, 5 Drawing Sheets**



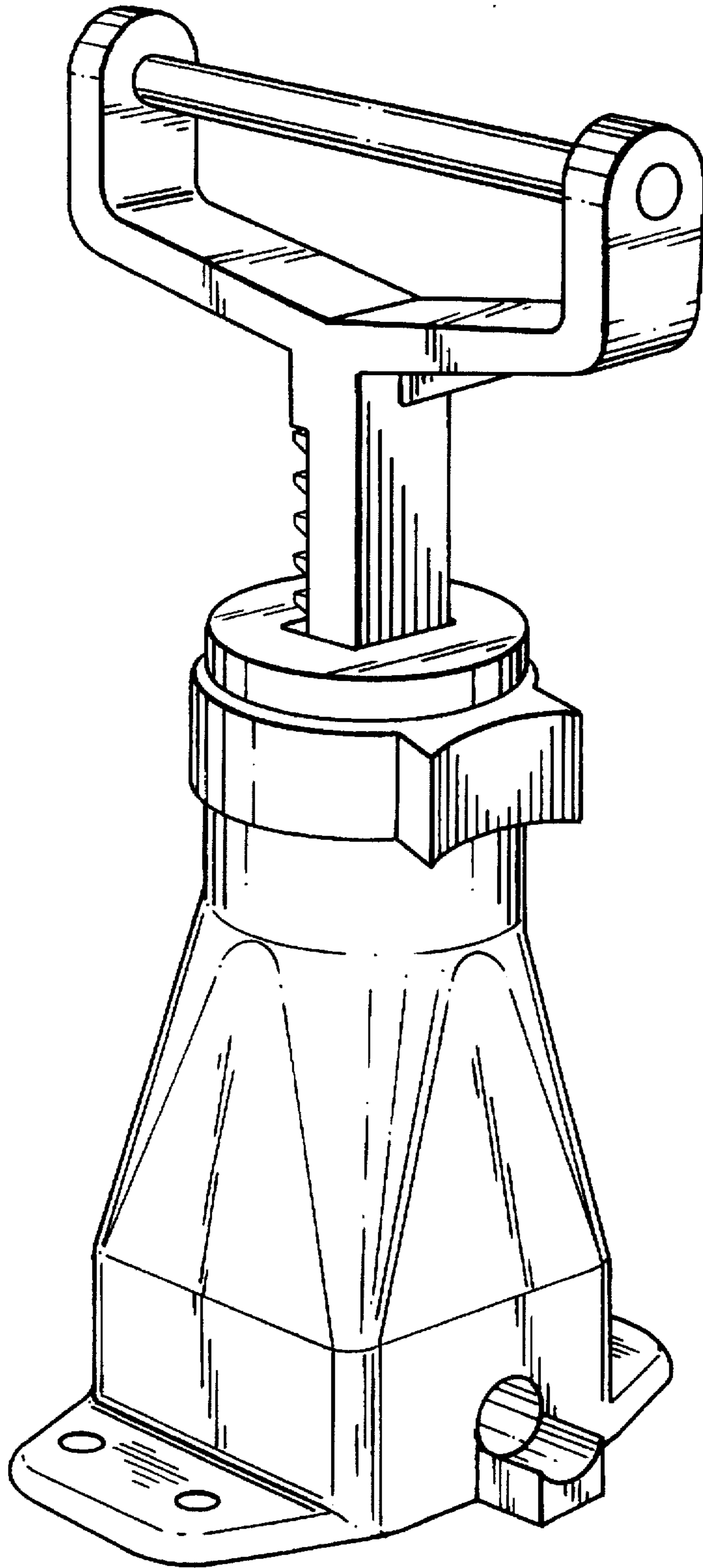


FIG. 1

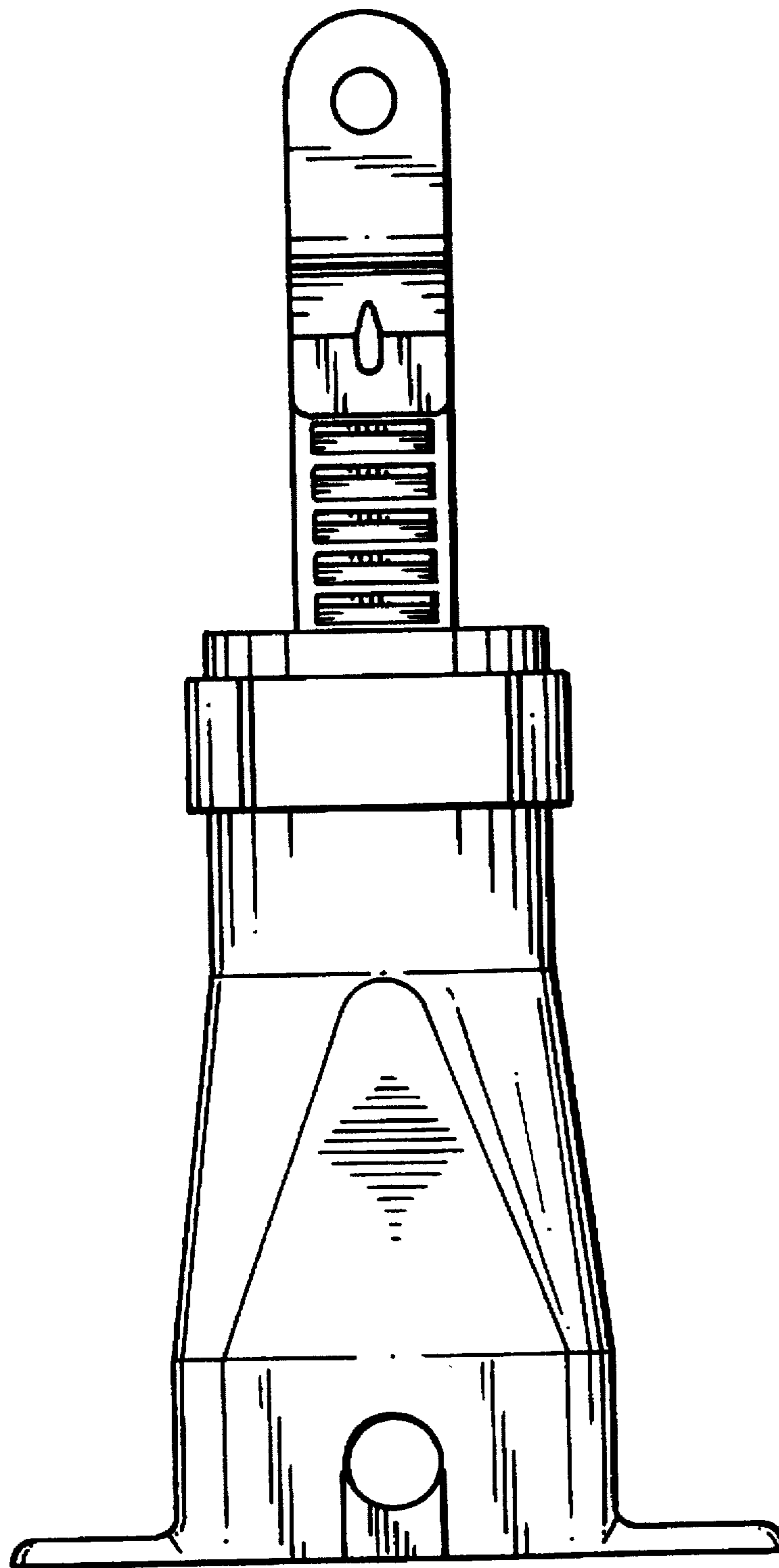


FIG. 2

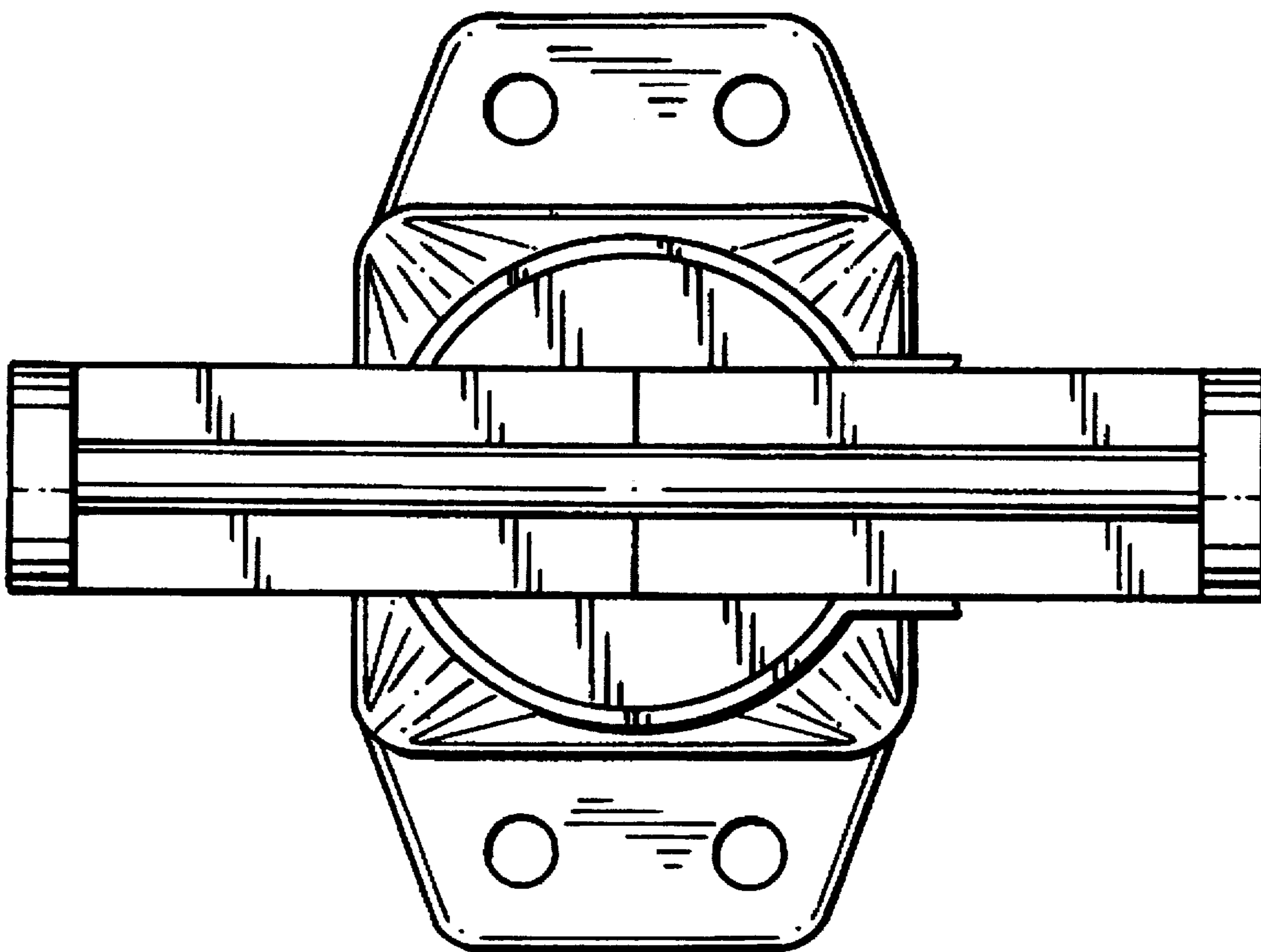


FIG. 3

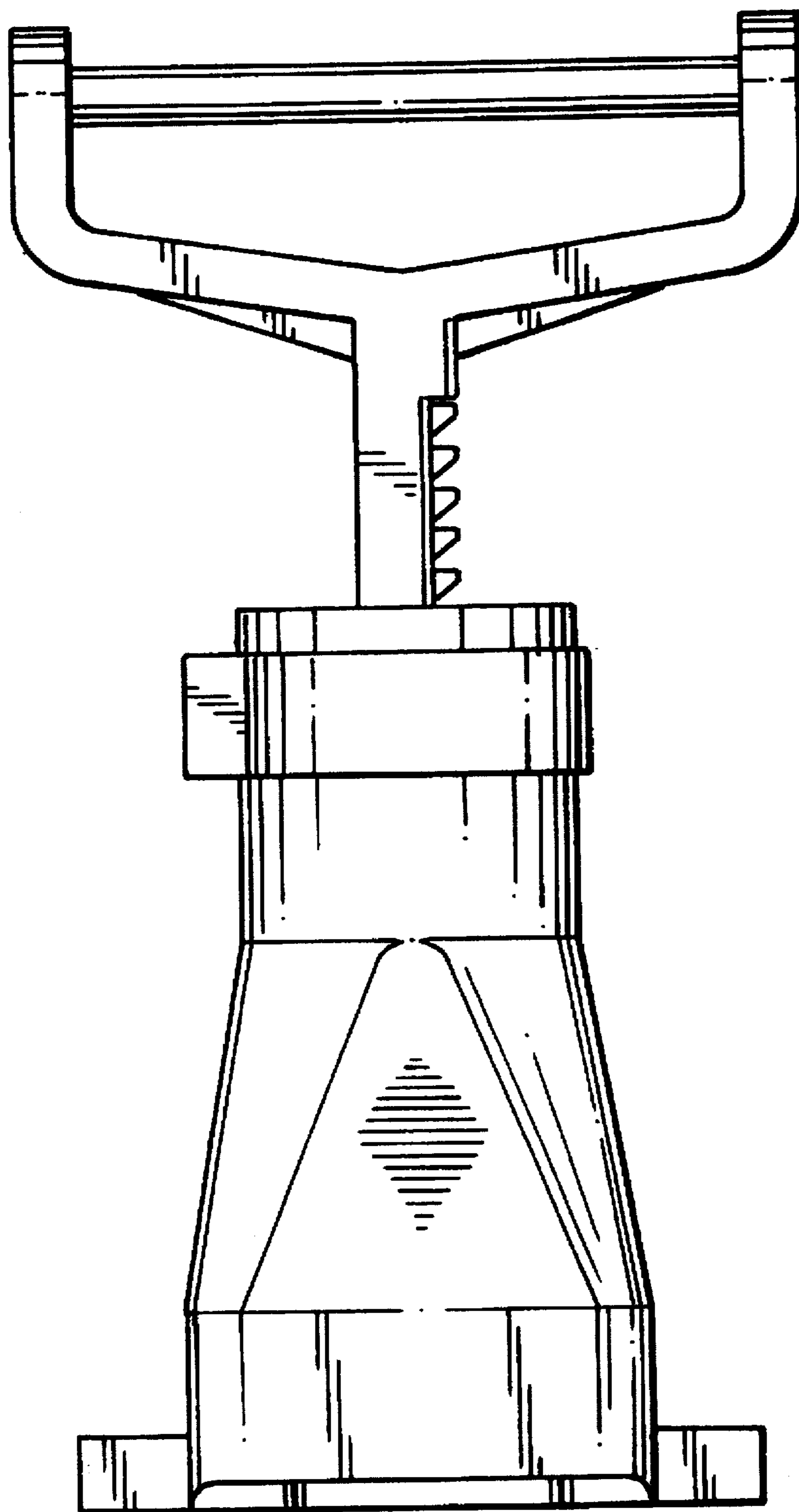


FIG. 4

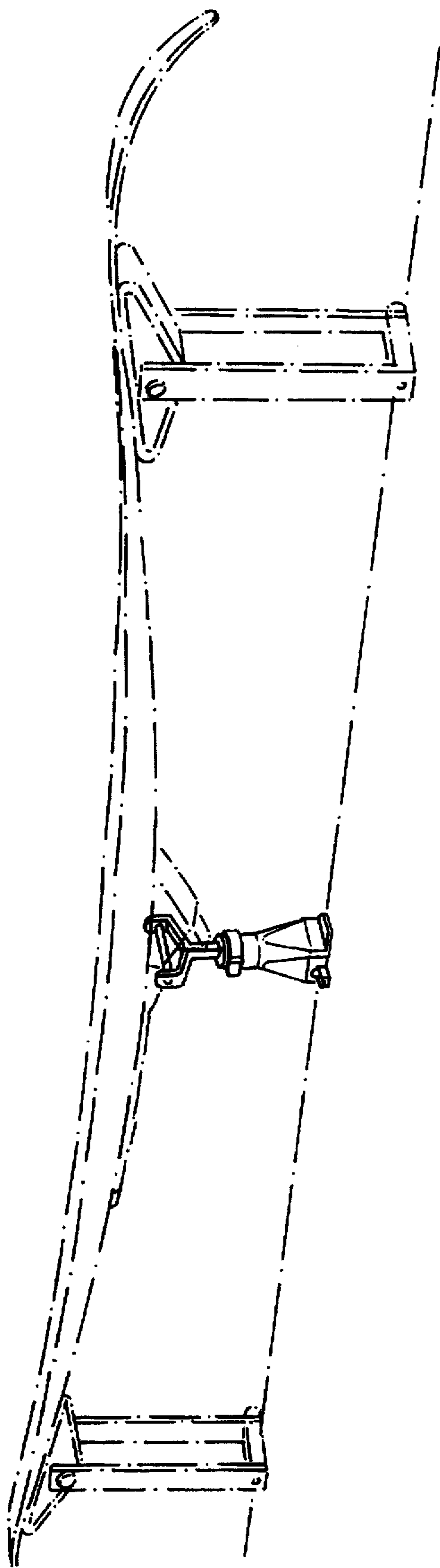


FIG. 5

UNITED STATES PATENT AND TRADEMARK OFFICE  
**CERTIFICATE OF CORRECTION**

PATENT NO. : Des. 389,888

DATED : January 27, 1998

INVENTOR(S) : Richard K. Weissenborn

It is certified that error appears in the above-identified patent and that said Letters Patent is hereby corrected as shown below:

On the Title Page insert reference to the foreign priority Canadian application, Serial No. 1995-2230 filed October 3, 1995

Signed and Sealed this  
Seventh Day of July, 1998



Attest:

**BRUCE LEHMAN**

*Attesting Officer*

*Commissioner of Patents and Trademarks*