



US00D389884S

United States Patent [19] Luk

[11] Patent Number: **Des. 389,884**
[45] Date of Patent: ****Jan. 27, 1998**

[54] **TOY GUN**

[75] Inventor: **Ka-Shiu Luk, Fo Tan, Hong Kong**

[73] Assignee: **Heep Tung Manufactory Limited, Hong Kong**

[**] Term: **14 Years**

[21] Appl. No.: **68,512**

[22] Filed: **Mar. 26, 1997**

[30] **Foreign Application Priority Data**

Jan. 13, 1997 [GB] United Kingdom 2062345

[51] **LOC (6) Cl.** **21-01**

[52] **U.S. Cl.** **D21/147**

[58] **Field of Search** D21/13, 59, 145-147;
D22/104, 118; 446/192, 405, 473; 482/12,
83; 222/78, 79; 273/148 B; 463/37, 38,
39; 124/78, 6, 16, 27

[56] **References Cited**

U.S. PATENT DOCUMENTS

D. 297,748 9/1988 Marino D21/147

D. 316,878 5/1991 Ishiwata D21/13
D. 347,250 5/1994 Yu D21/147
D. 368,121 3/1996 Lam D21/147
4,571,201 2/1986 Matsuda 124/27
4,583,958 4/1986 Matsuda 446/473
5,433,646 7/1995 Tarng 446/405

Primary Examiner—Raphael Barkai
Attorney, Agent, or Firm—Samuels, Gauthier Stevens & Reppert

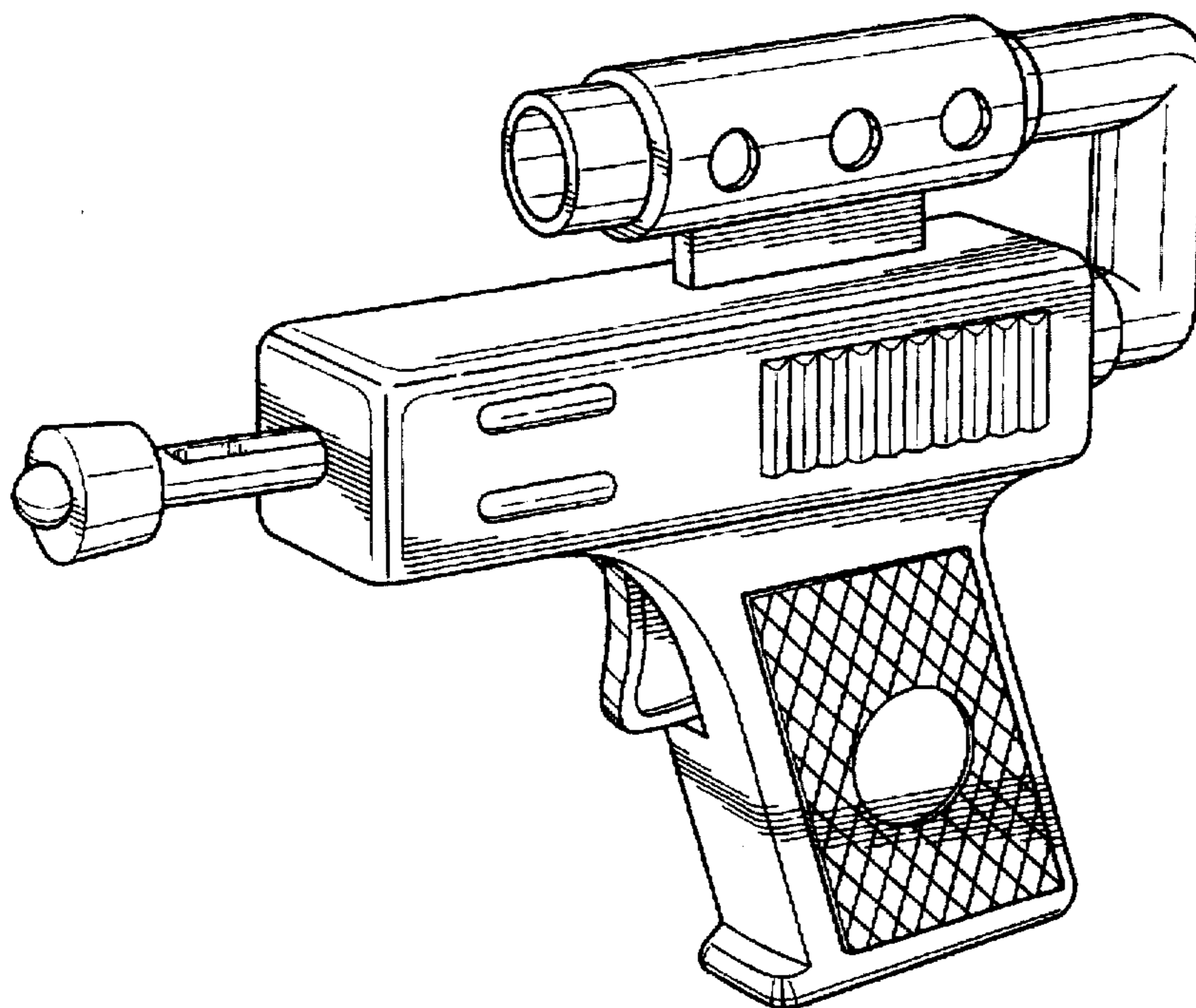
[57] **CLAIM**

The ornamental design for a “a toy gun”, as show and described.

DESCRIPTION

FIG. 1 is the front perspective view showing my new design;
FIG. 2 is the front view thereof;
FIG. 3 is the rear view thereof;
FIG. 4 is the left-hand view thereof;
FIG. 5 is the right-hand view thereof;
FIG. 6 is the top view thereof; and,
FIG. 7 is the bottom view thereof.

1 Claim, 4 Drawing Sheets



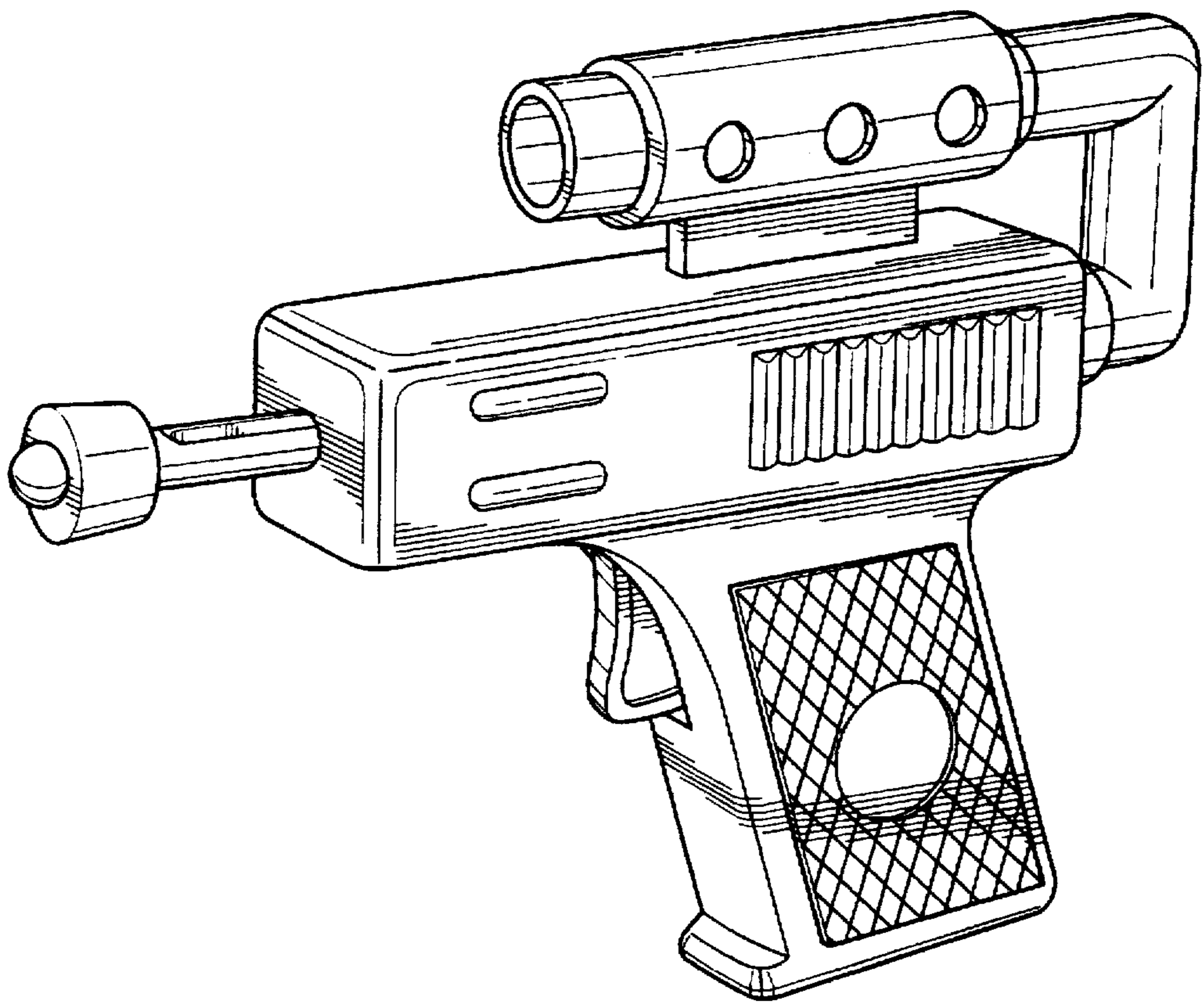


FIG. 1

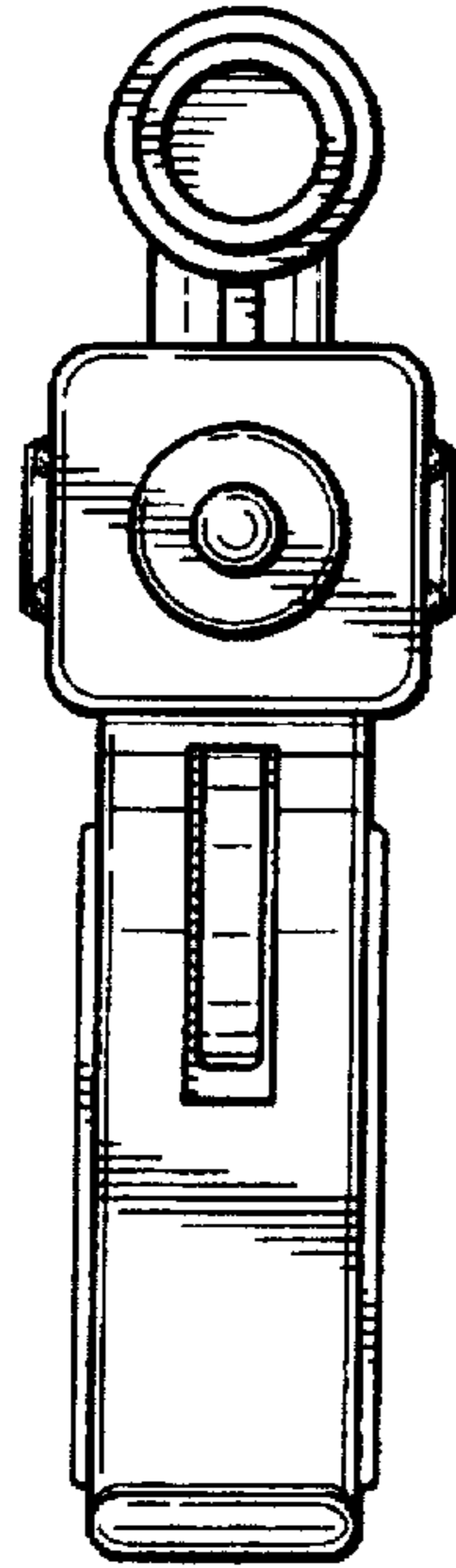


FIG. 2

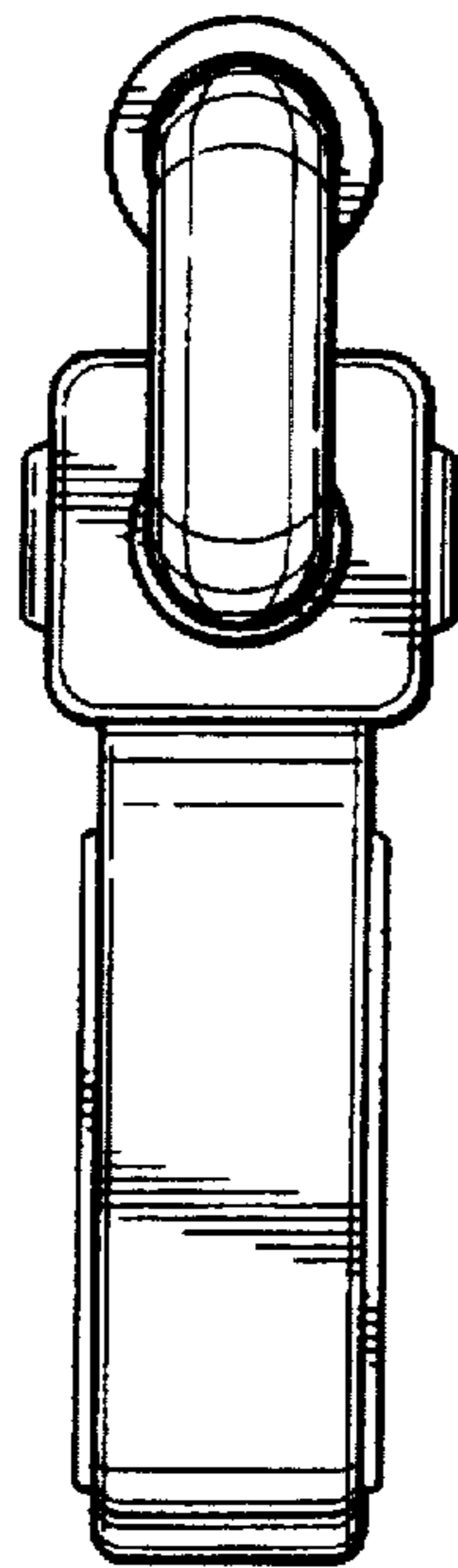


FIG. 3

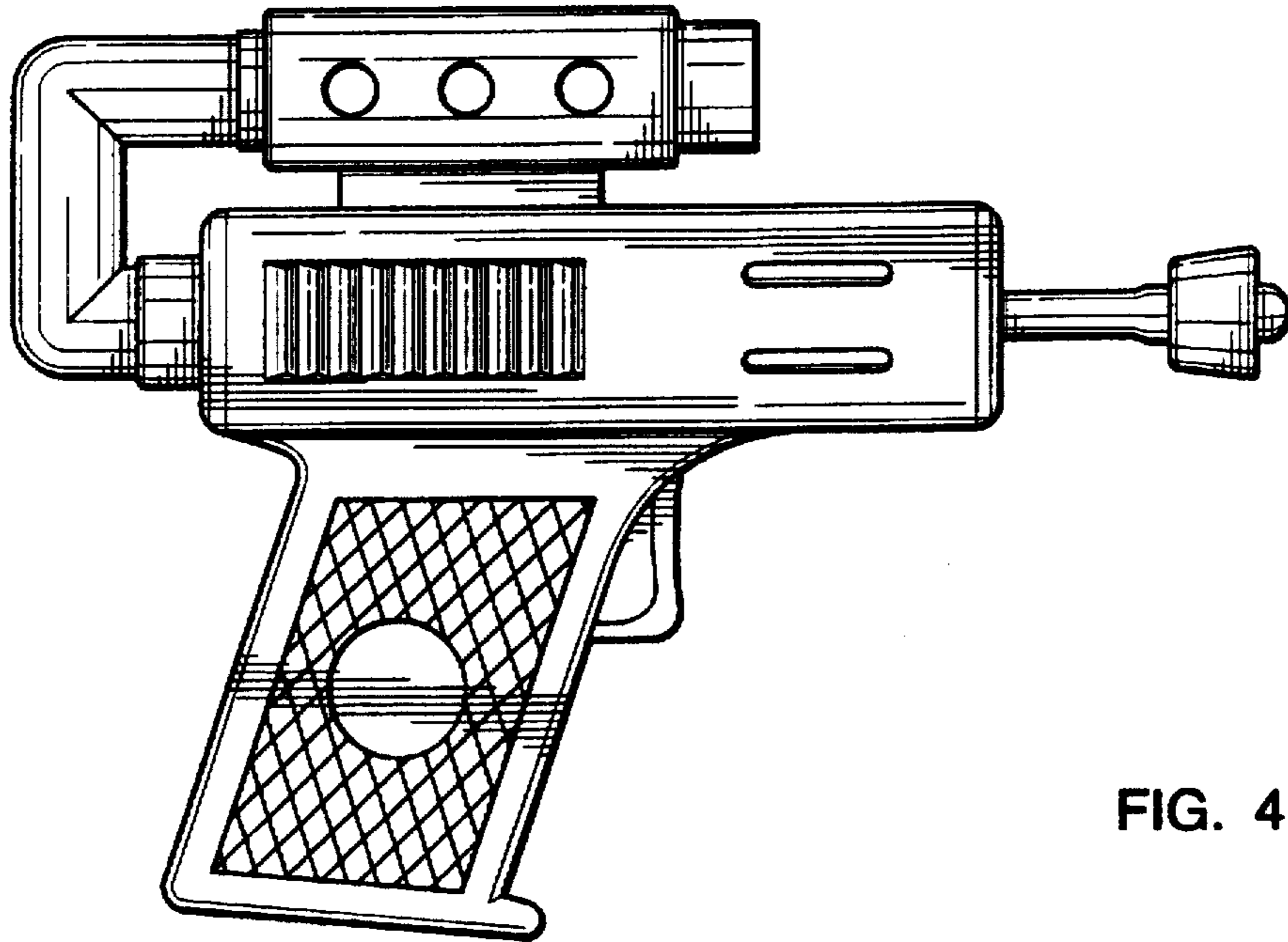


FIG. 4

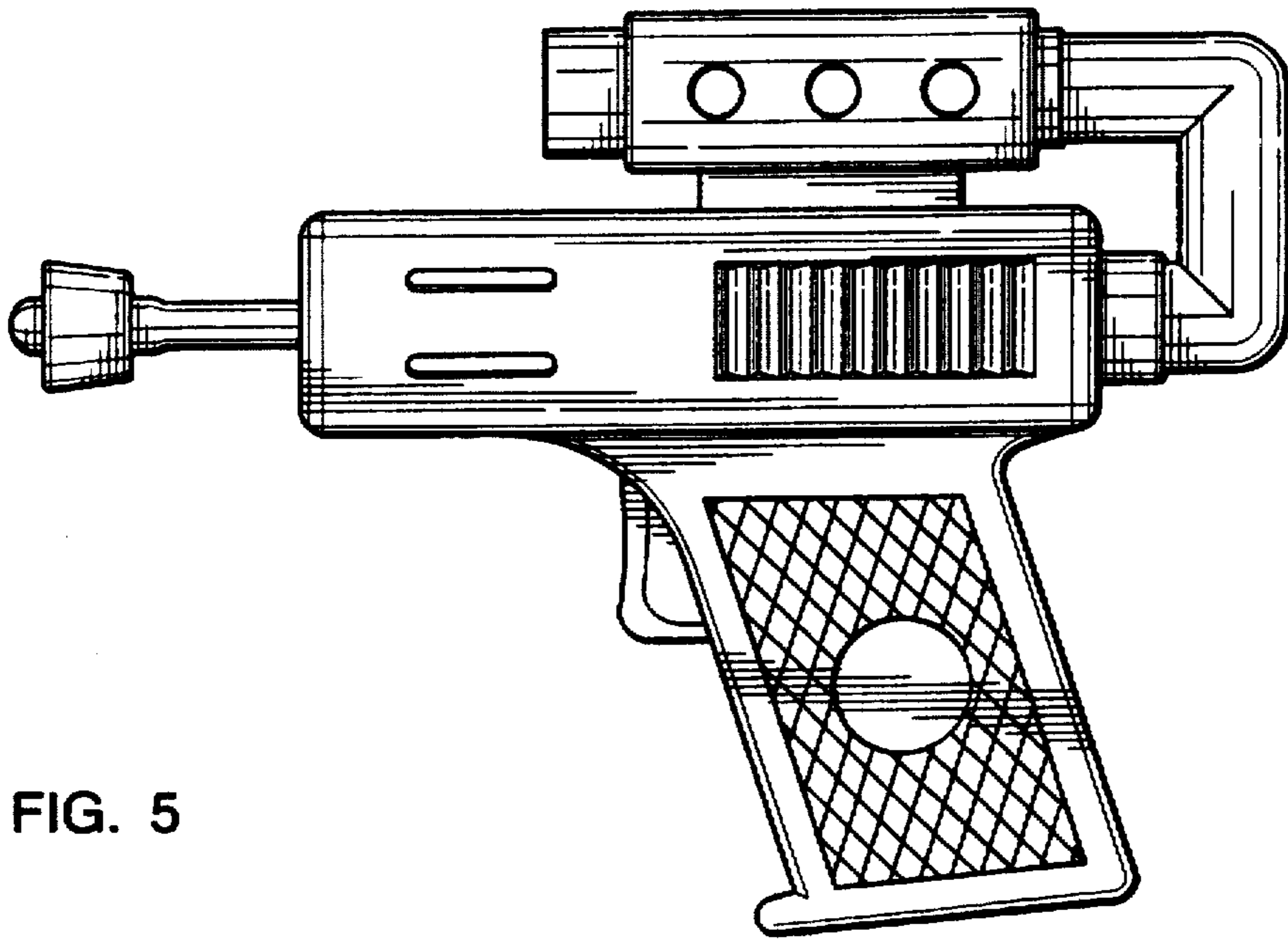


FIG. 5

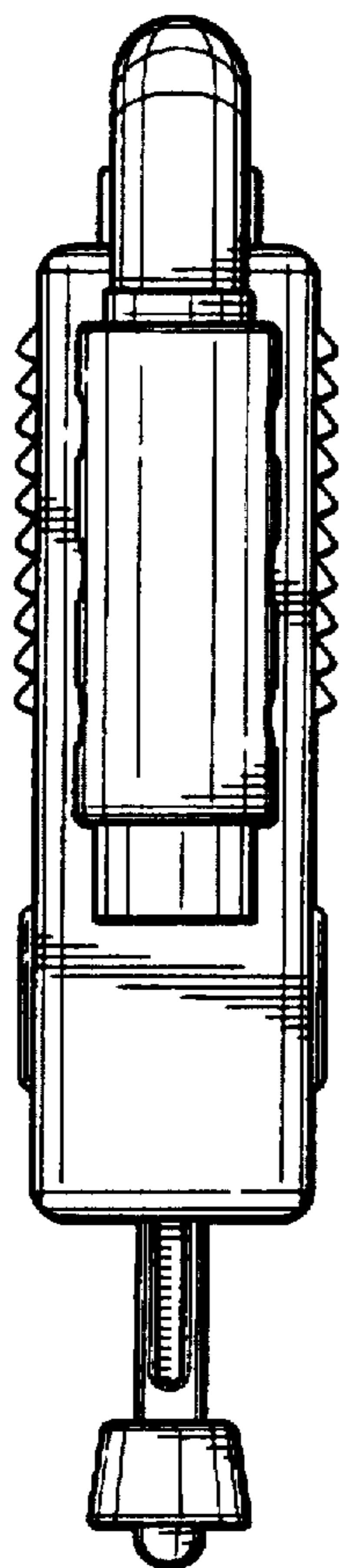


FIG. 6

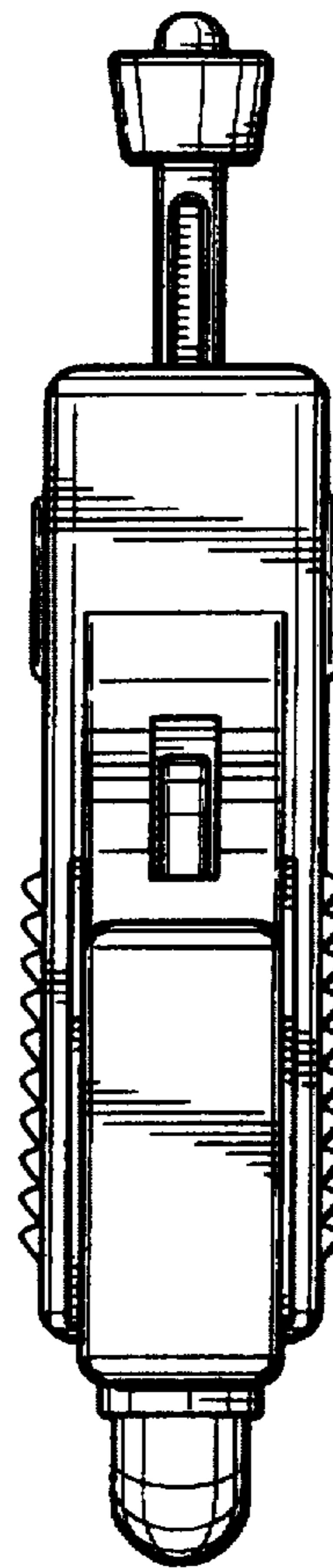


FIG. 7