



US00D389877S

United States Patent [19]
Pasin

[11] **Patent Number: Des. 389,877**

[45] **Date of Patent: **Jan. 27, 1998**

[54] **WAGON**

[75] **Inventor: Antonio J. Pasin, Chicago, Ill.**

[73] **Assignee: Radio Flyer, Inc., Chicago, Ill.**

[**] **Term: 14 Years**

[21] **Appl. No.: 59,065**

[22] **Filed: Sep. 3, 1996**

[51] **LOC (6) Cl. 21-01**

[52] **U.S. Cl. D21/71**

[58] **Field of Search D21/71, 73, 78,
D21/80, 129, 134, 81; 280/87.01, 87.21,
87.042, 828, 47.36; 446/444, 446, 168**

[56] **References Cited**

U.S. PATENT DOCUMENTS

D. 316,576 4/1991 Vanhuystee D21/71
D. 347,029 5/1994 Sampedro D21/71
D. 369,629 5/1996 Pasin et al. D21/71

D. 372,942 8/1996 Fish, Jr. D21/71
2,676,054 4/1954 Pasin 280/87.01
4,300,783 11/1981 Fisher 280/87.021
5,360,222 11/1994 Bro et al. 280/87.021

Primary Examiner—Raphael Barkai
Attorney, Agent, or Firm—Rudnick & Wolfe

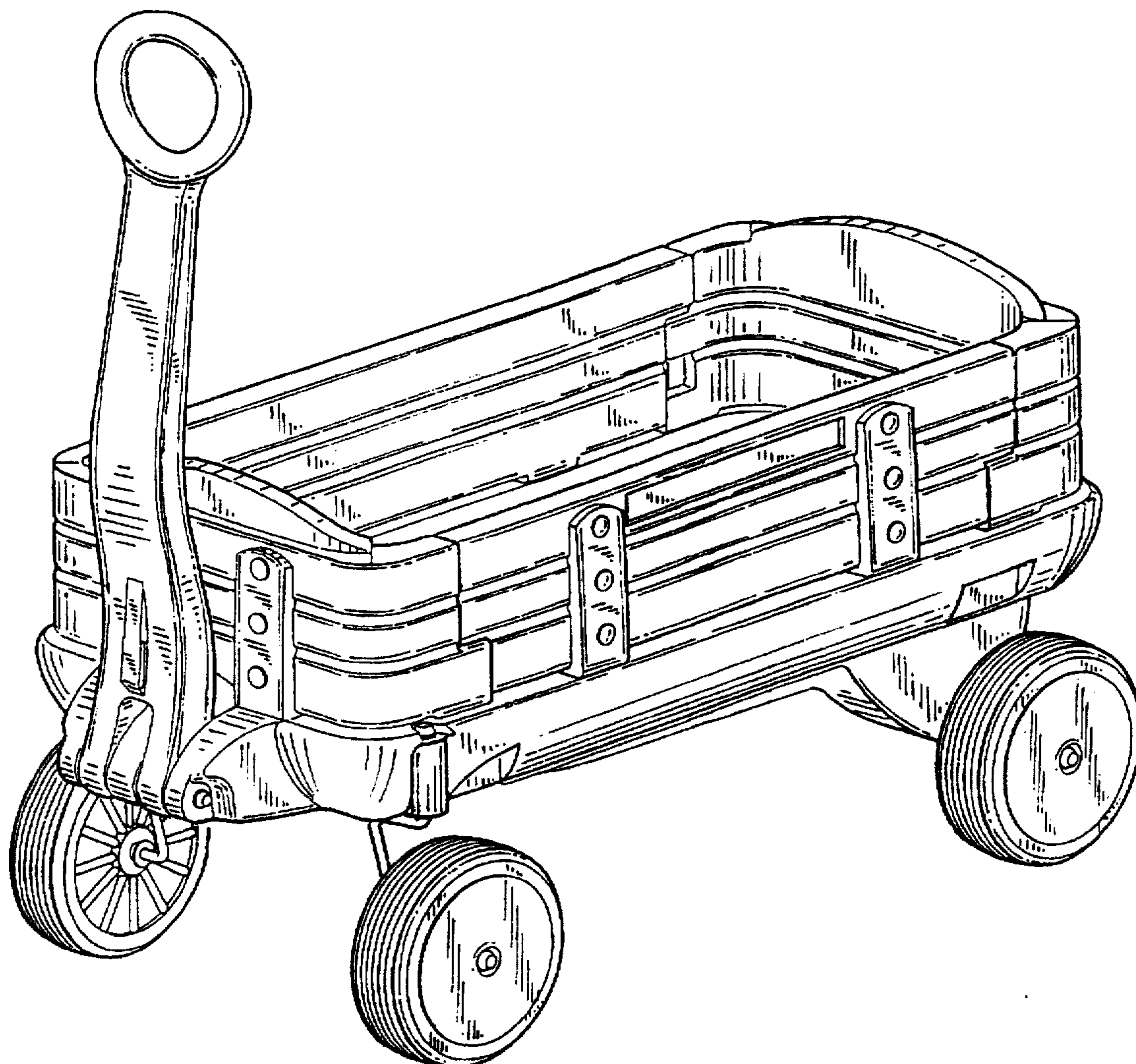
[57] **CLAIM**

The ornamental design for a wagon, as shown and described.

DESCRIPTION

FIG. 1 is a front perspective view of a wagon showing our new design;
FIG. 2 is a side elevational view thereof; the opposite side being a mirror image;
FIG. 3 is a front elevational view thereof;
FIG. 4 is a rear elevational view thereof;
FIG. 5 is a top plan view thereof; and,
FIG. 6 is a bottom plan view thereof.

1 Claim, 4 Drawing Sheets



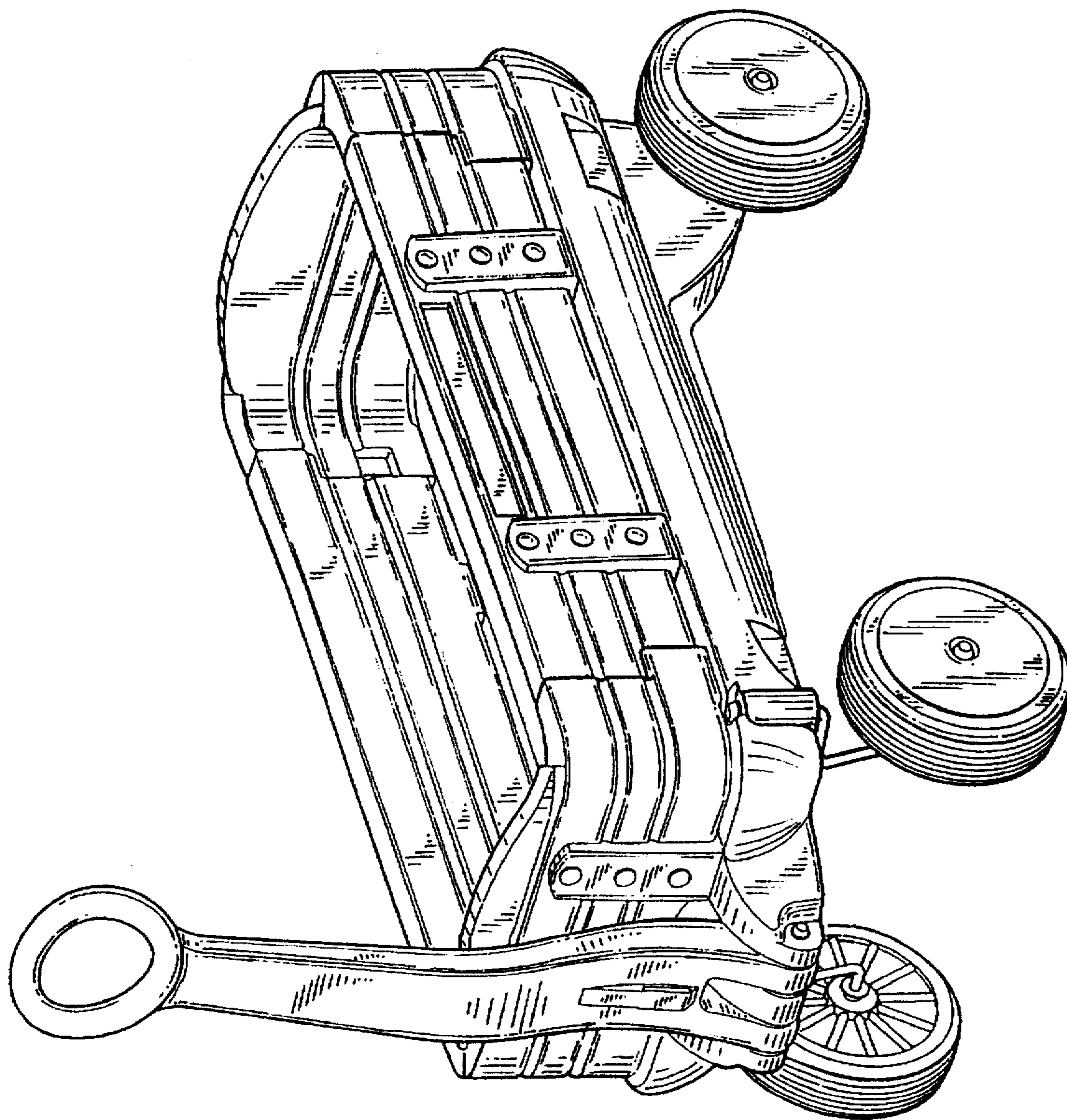
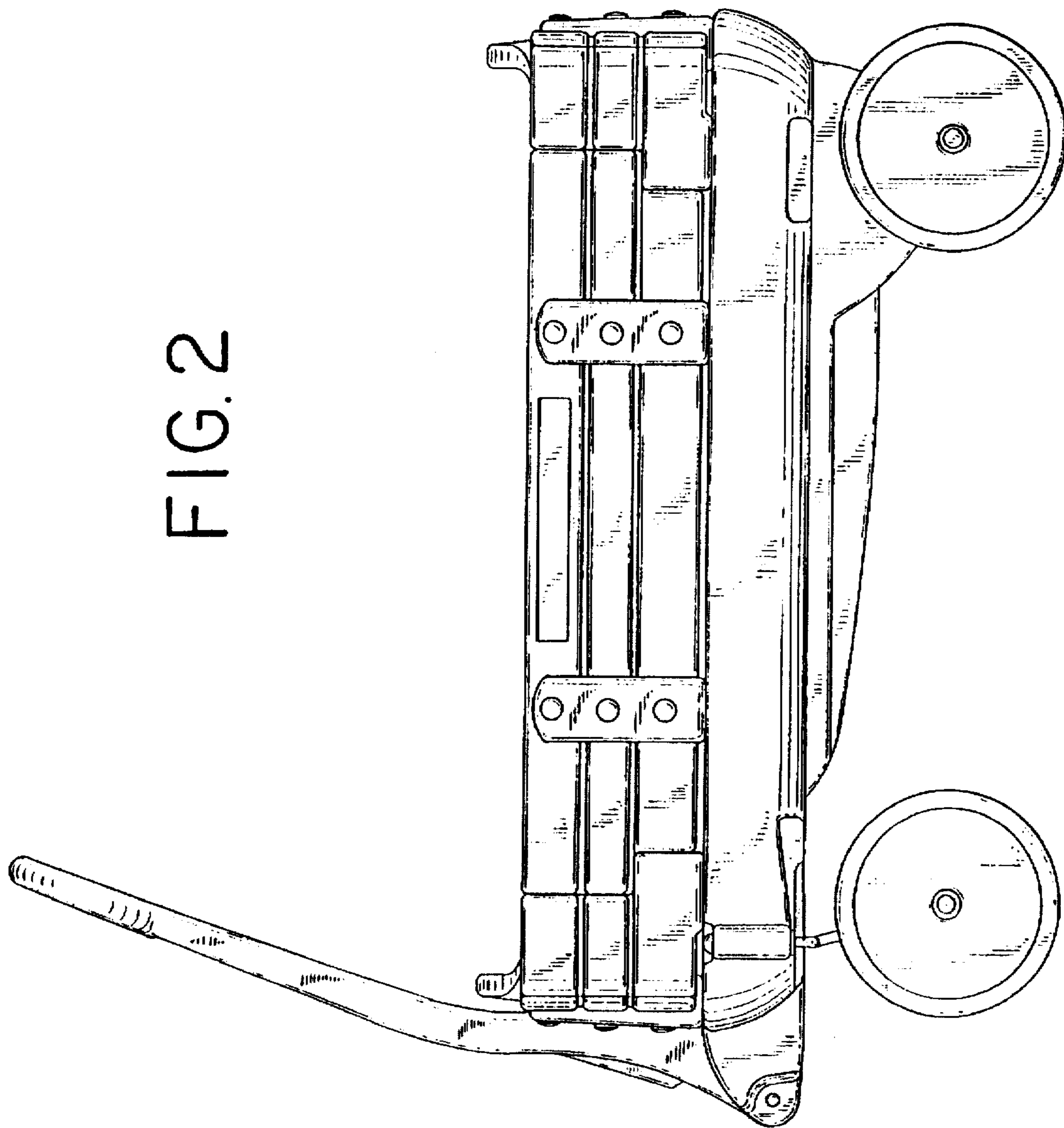


FIG. 1

FIG. 2



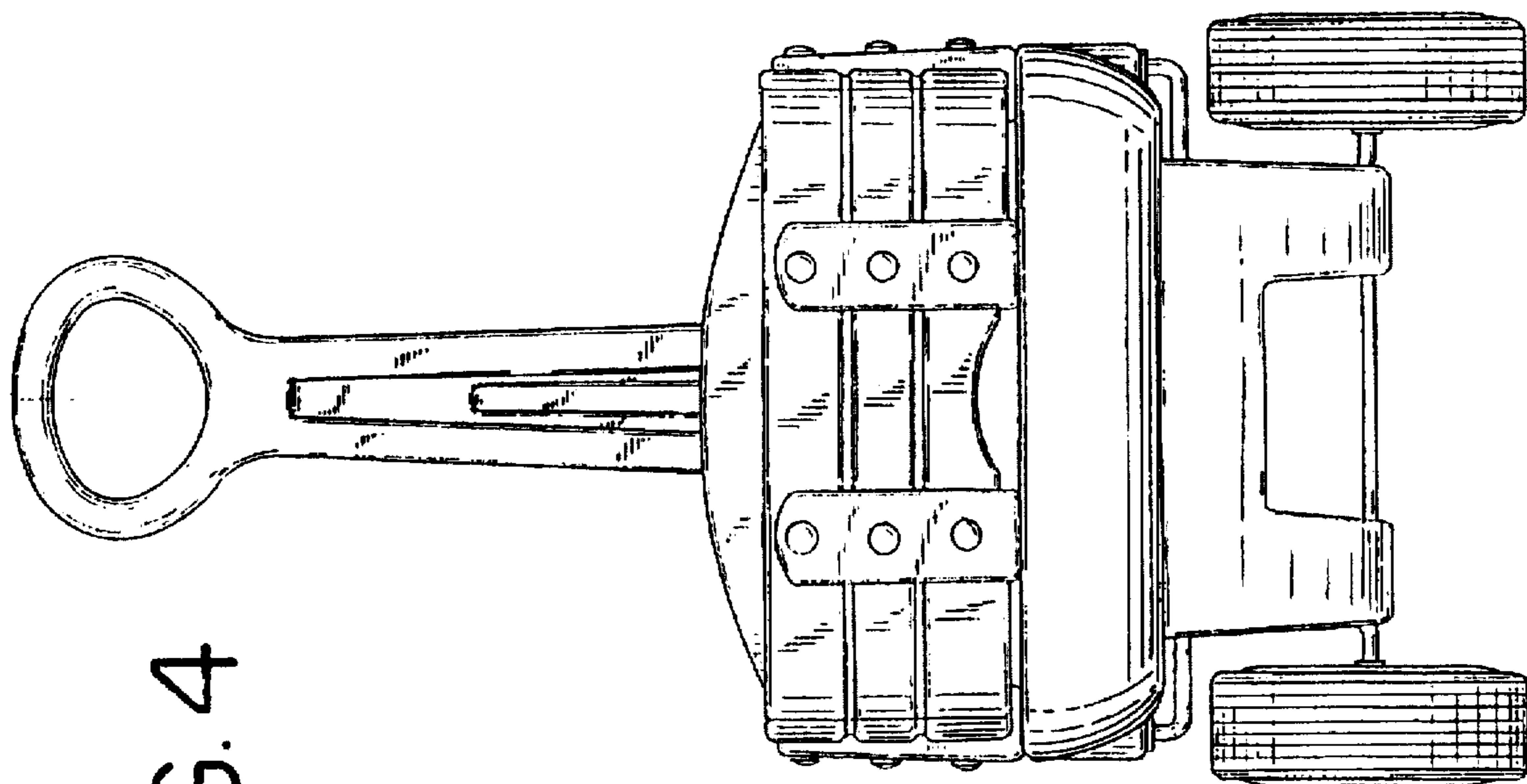


FIG. 4

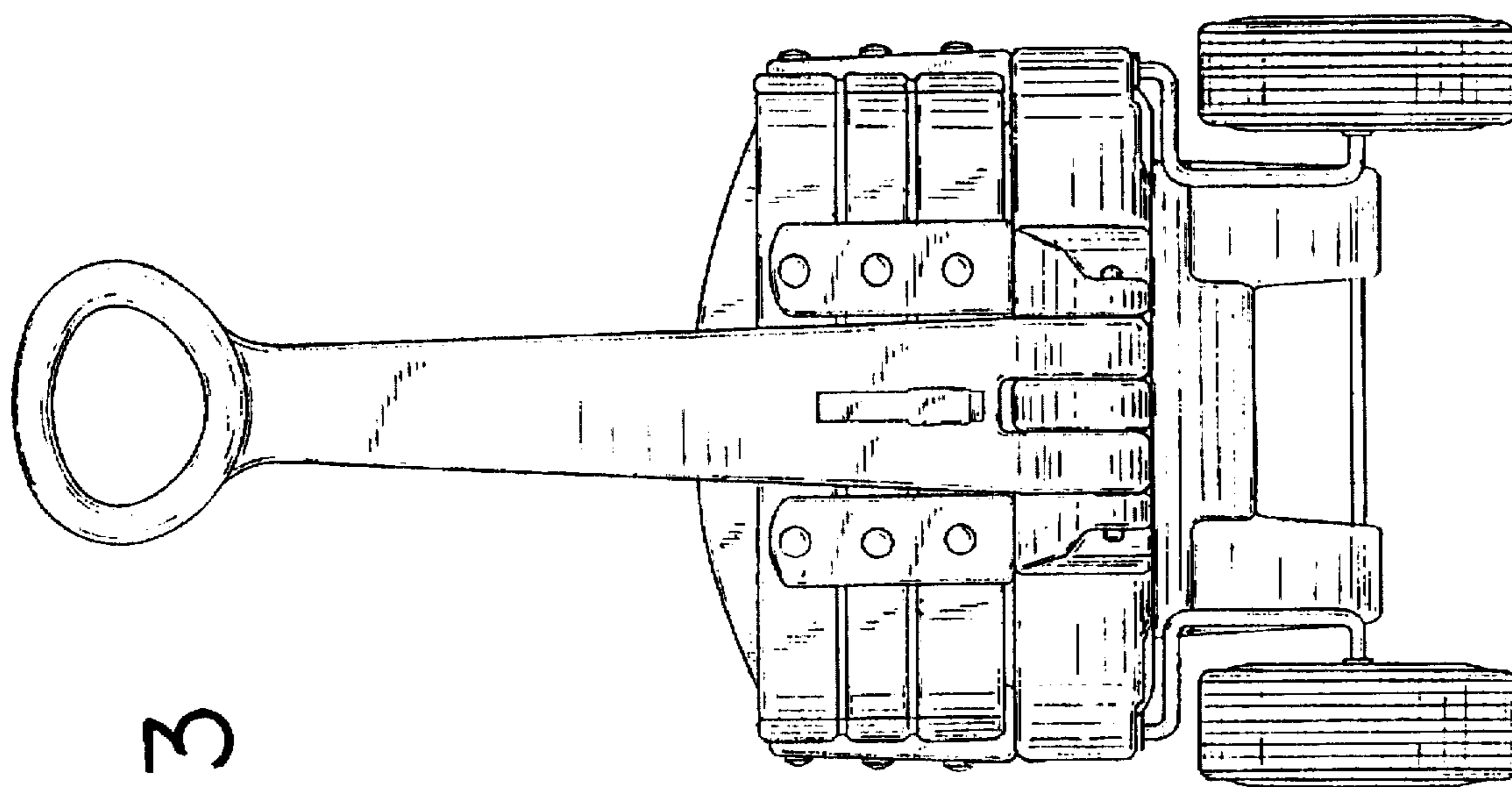


FIG. 3

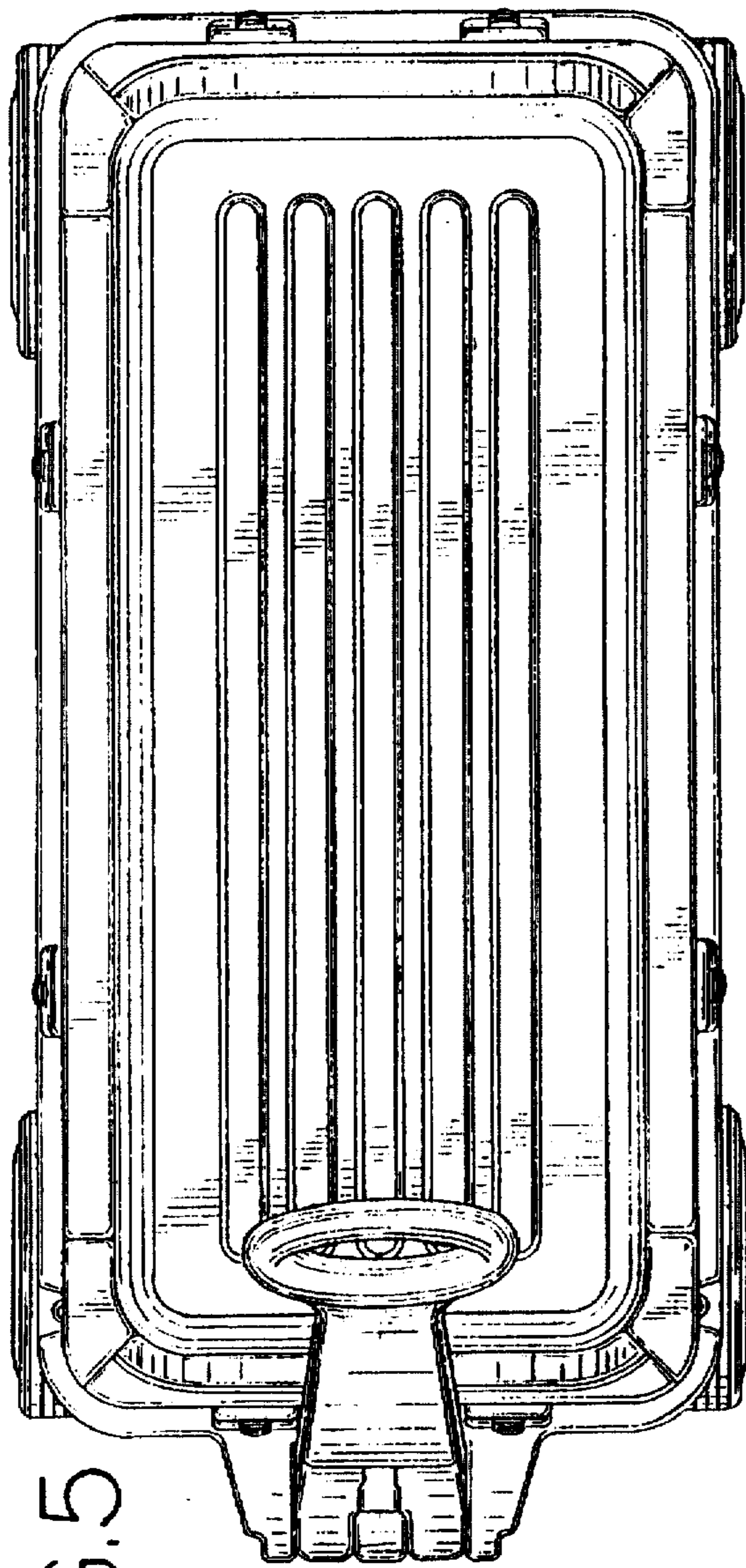


FIG. 5

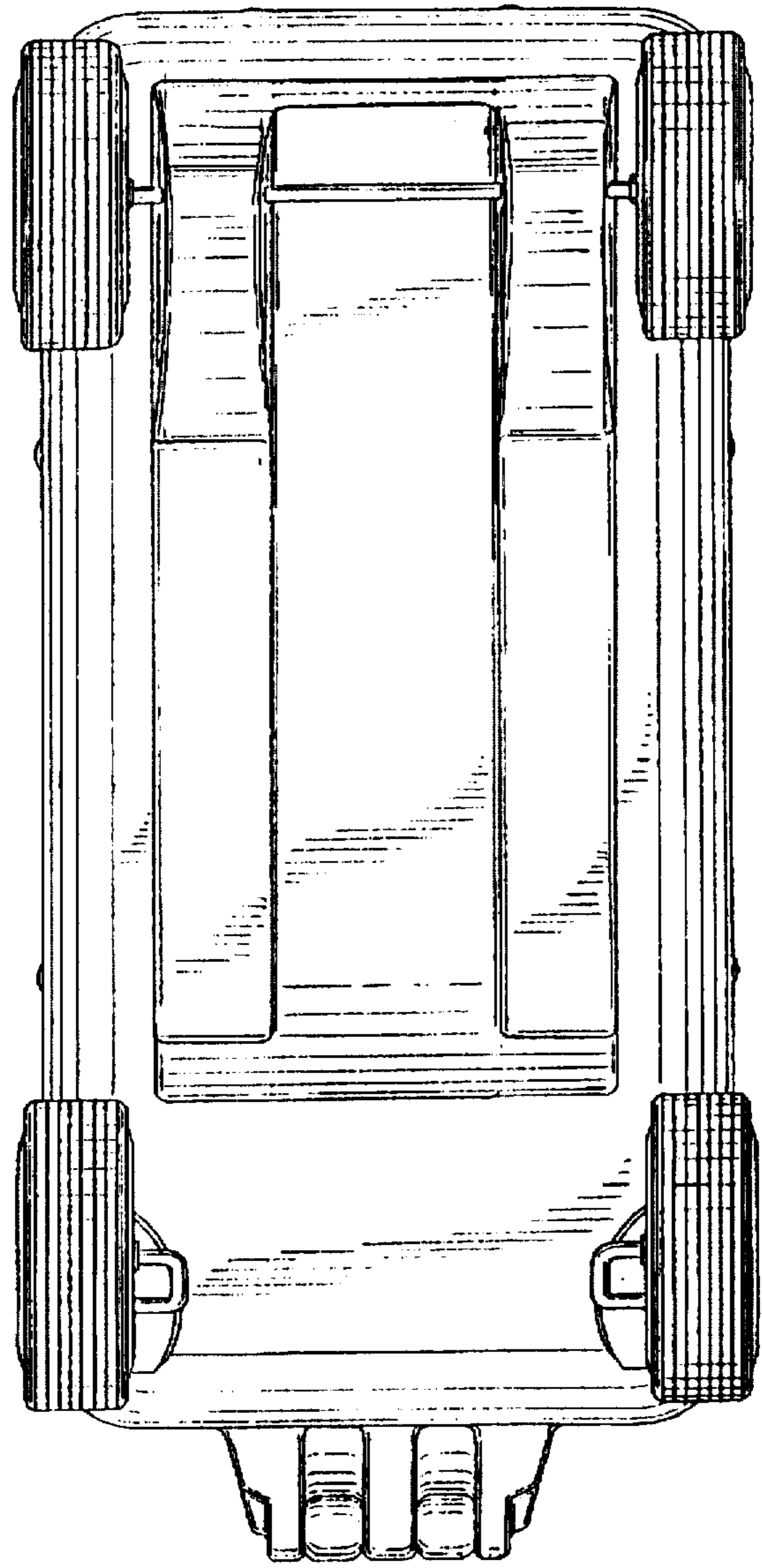


FIG. 6