



US00D389867S

United States Patent [19]
Togawa

[11] **Patent Number: Des. 389,867**
[45] **Date of Patent: **Jan. 27, 1998**

[54] **WRITING TIP**
[75] **Inventor: Teruo Togawa, Tokyo, Japan**
[73] **Assignee: Swan Pen Co., Ltd., Tokyo, Japan**
[**] **Term: 14 Years**
[21] **Appl. No.: 63,372**
[22] **Filed: Dec. 9, 1996**
[30] **Foreign Application Priority Data**
Sep. 27, 1996 [JP] Japan 8-29030
[51] **LOC (6) Cl. 19-06**
[52] **U.S. Cl. D19/55; D19/48; D19/51**
[58] **Field of Search D19/35, 36, 41-51,**
D19/53, 54, 55, 56-58, 81-85; 401/35,
52, 76, 209, 217, 223, 241, 243, 211

D. 340,476 10/1993 Hiromori D19/51
D. 357,700 4/1995 Oka D19/55
2,458,739 1/1949 Savoie 401/52 X
2,646,776 7/1953 Scholz 401/211
2,847,975 8/1958 Lawton 401/217
3,093,113 6/1963 Reynoso 401/35

Primary Examiner—Martie Thompson
Attorney, Agent, or Firm—Laff, Whitesel, Conte & Saret,
Ltd.

[57] **CLAIM**
The ornamental design for a writing tip, as shown.

DESCRIPTION

FIG. 1 is a front, top and left side perspective view of a writing tip, showing my new design;
FIG. 2 is a front elevational view thereof;
FIG. 3 is a right side elevational view thereof;
FIG. 4 is a left side elevational view thereof;
FIG. 5 is a top plan view thereof;
FIG. 6 is a bottom plan view thereof; and,
FIG. 7 is a rear elevational view thereof.

[56] **References Cited**
U.S. PATENT DOCUMENTS
D. 243,014 1/1977 Wittnebert D19/47
D. 281,512 11/1985 Kobori D19/55

1 Claim, 2 Drawing Sheets

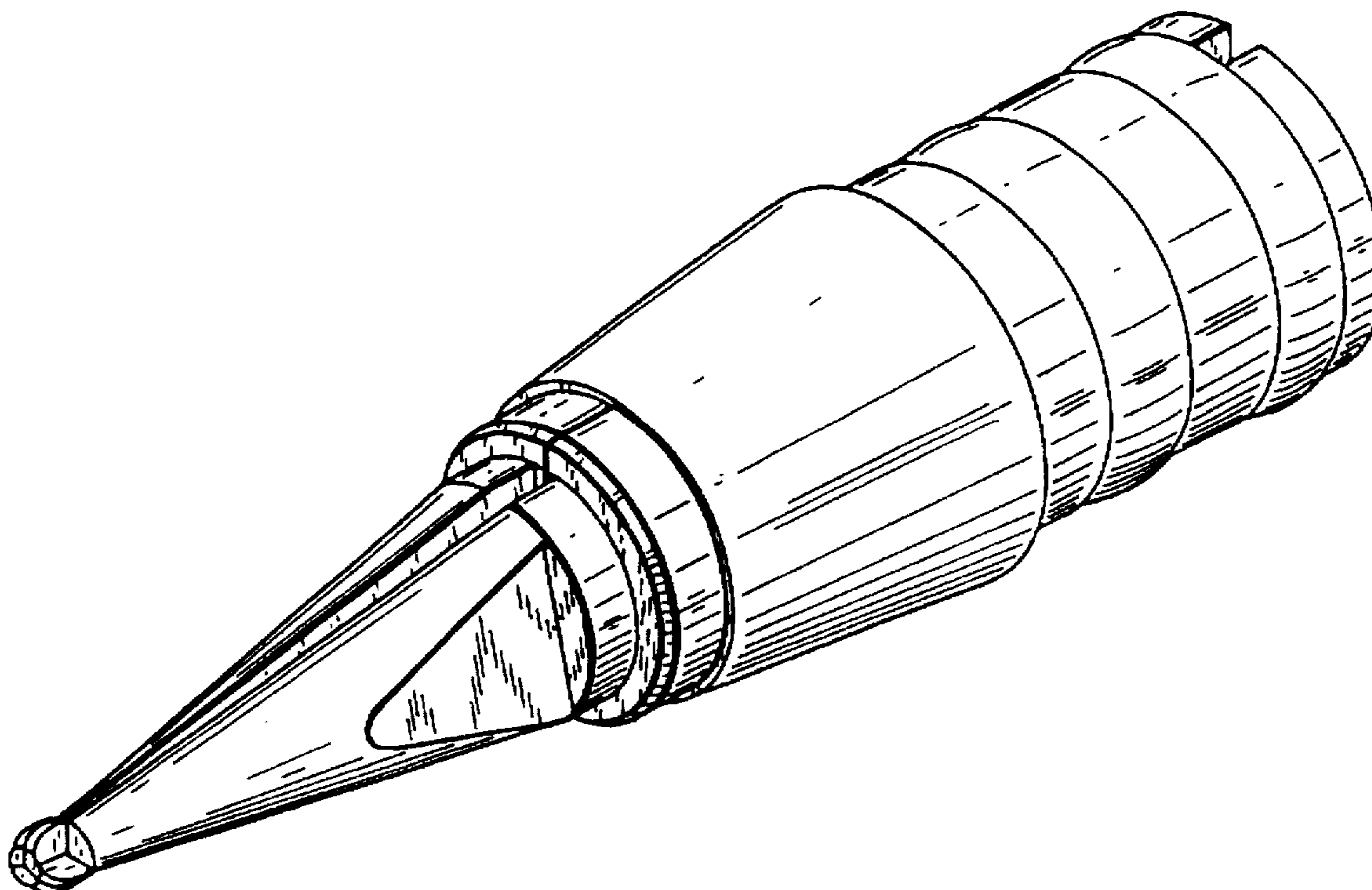


FIG. 1

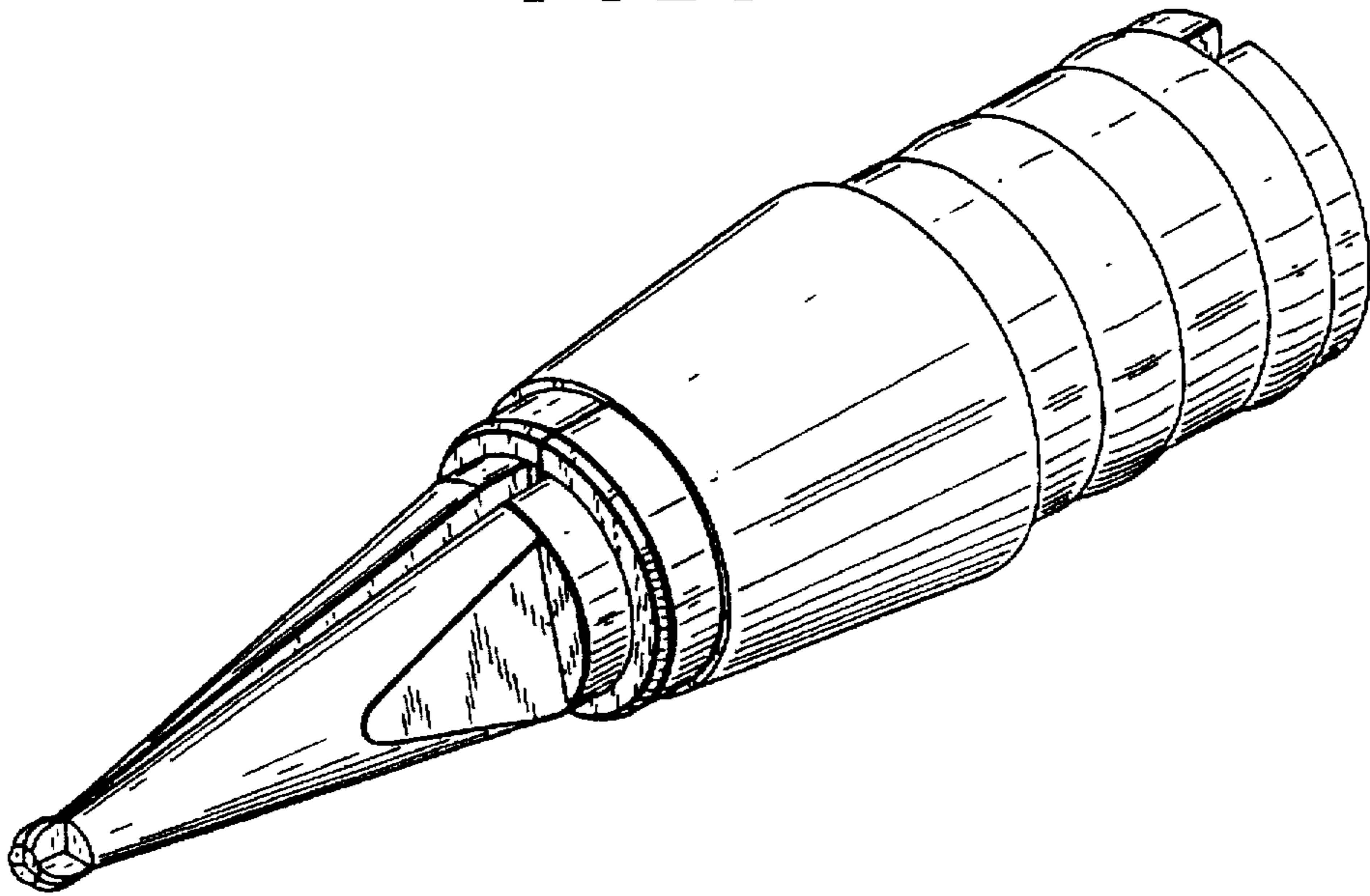


FIG. 2

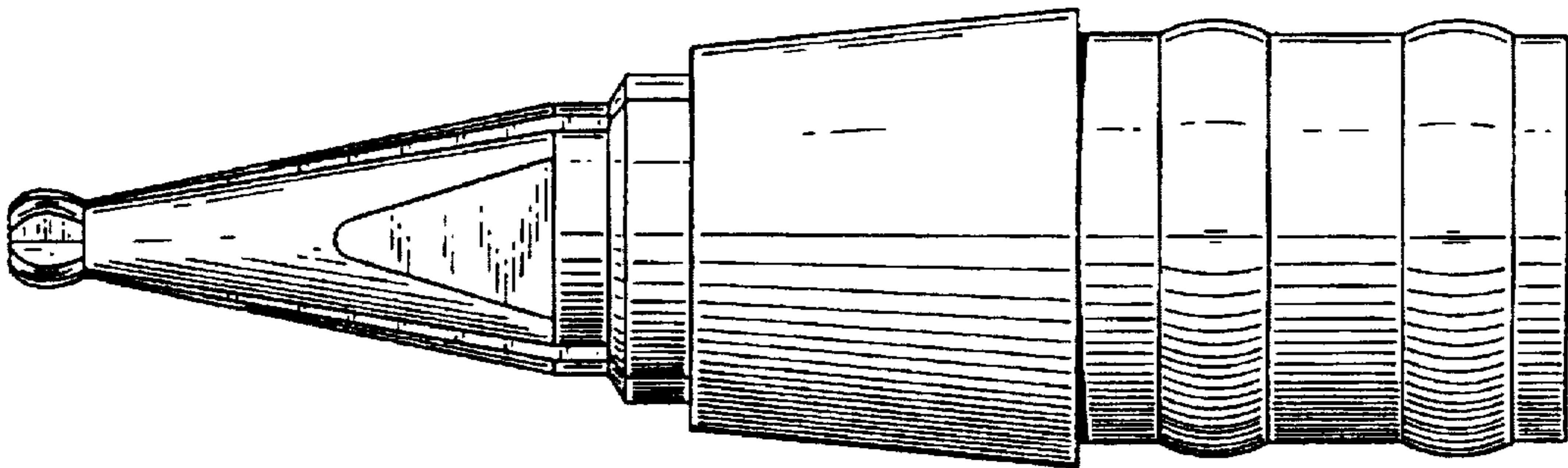


FIG. 4

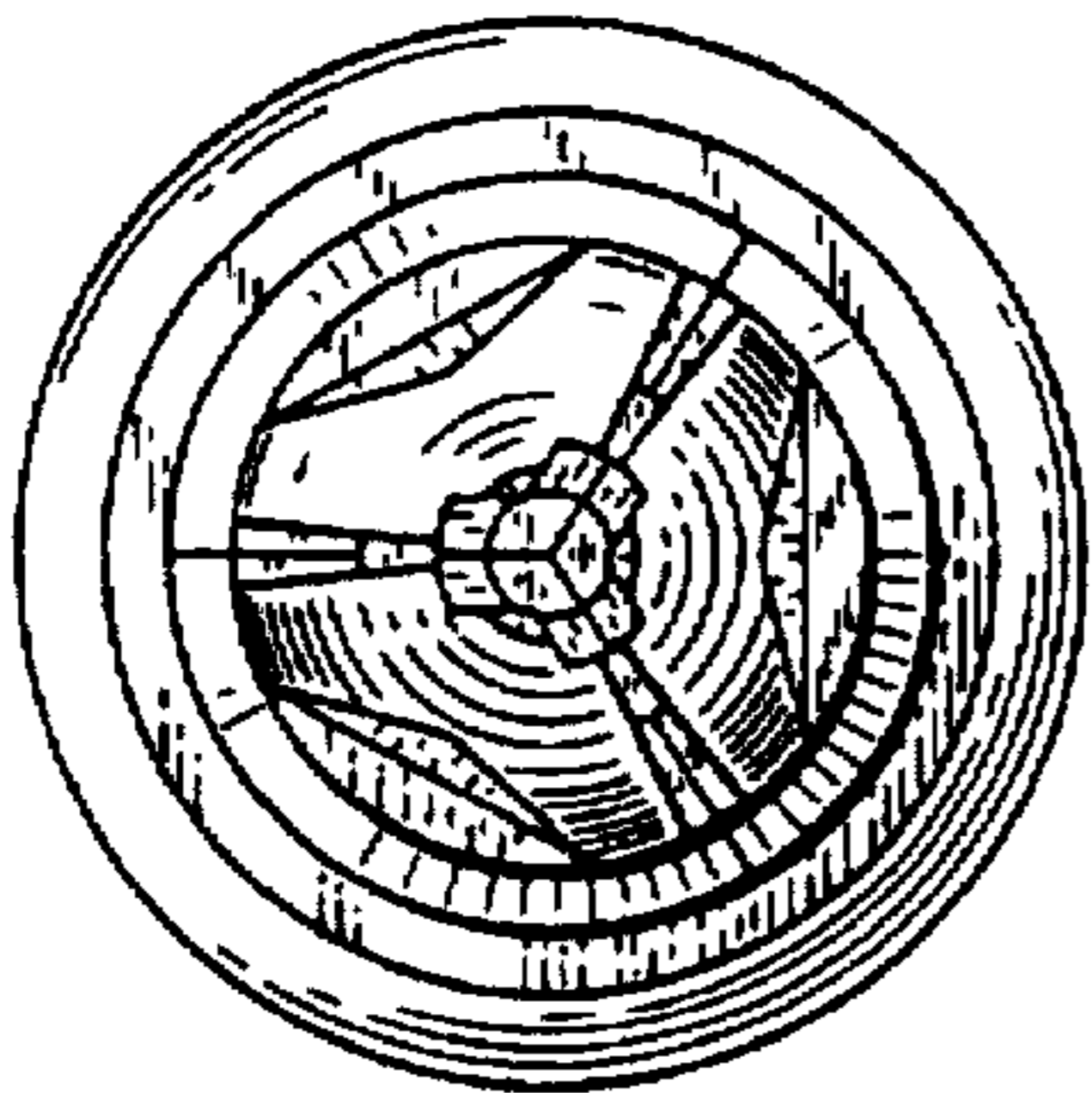


FIG. 3

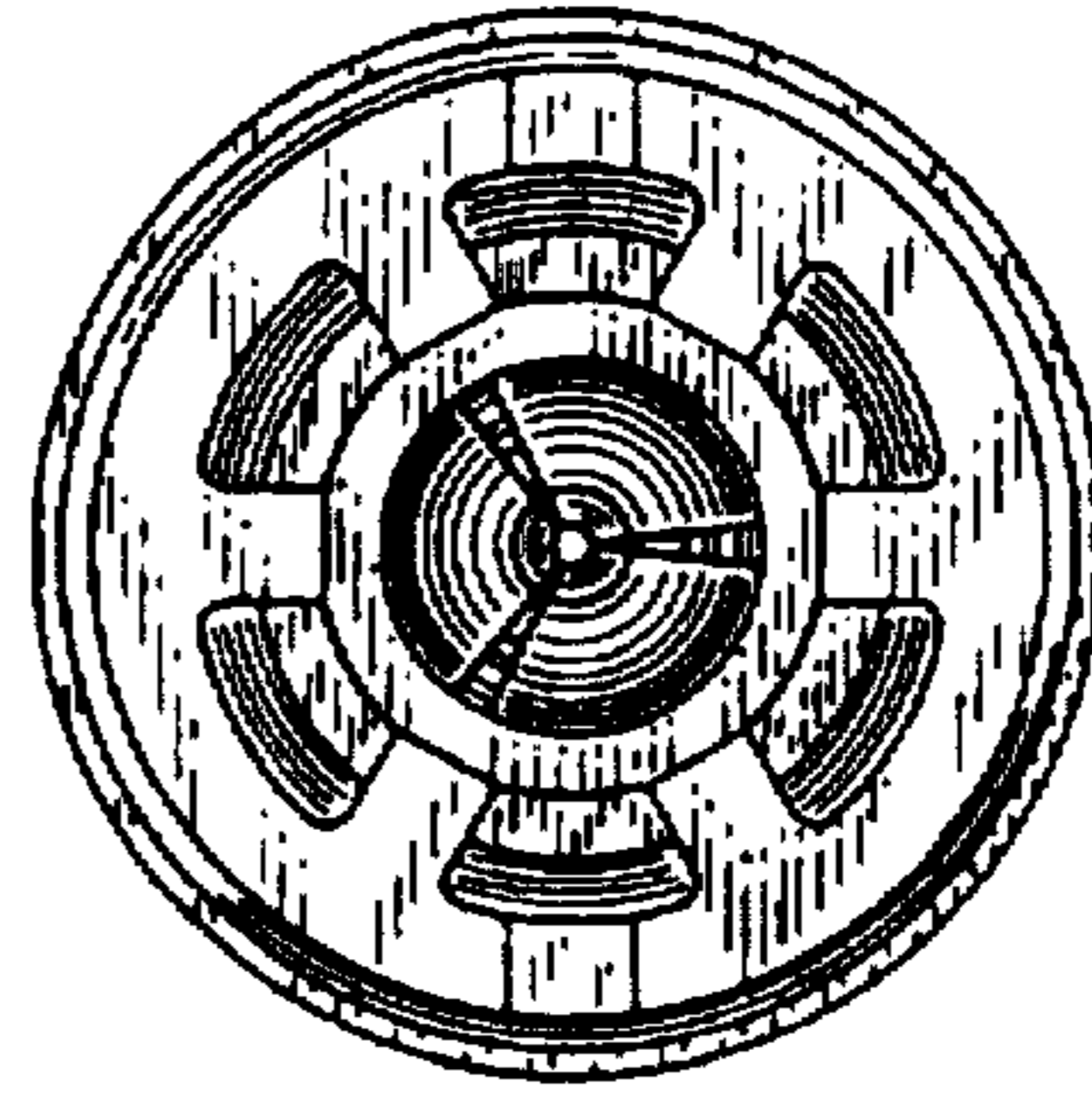


FIG. 5

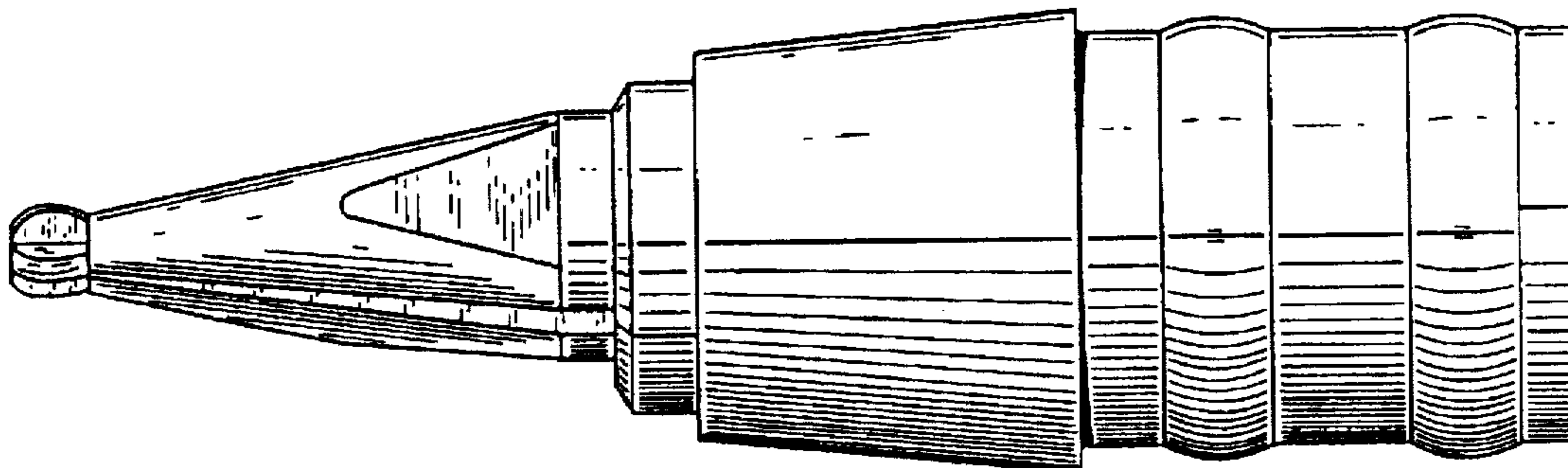


FIG. 6

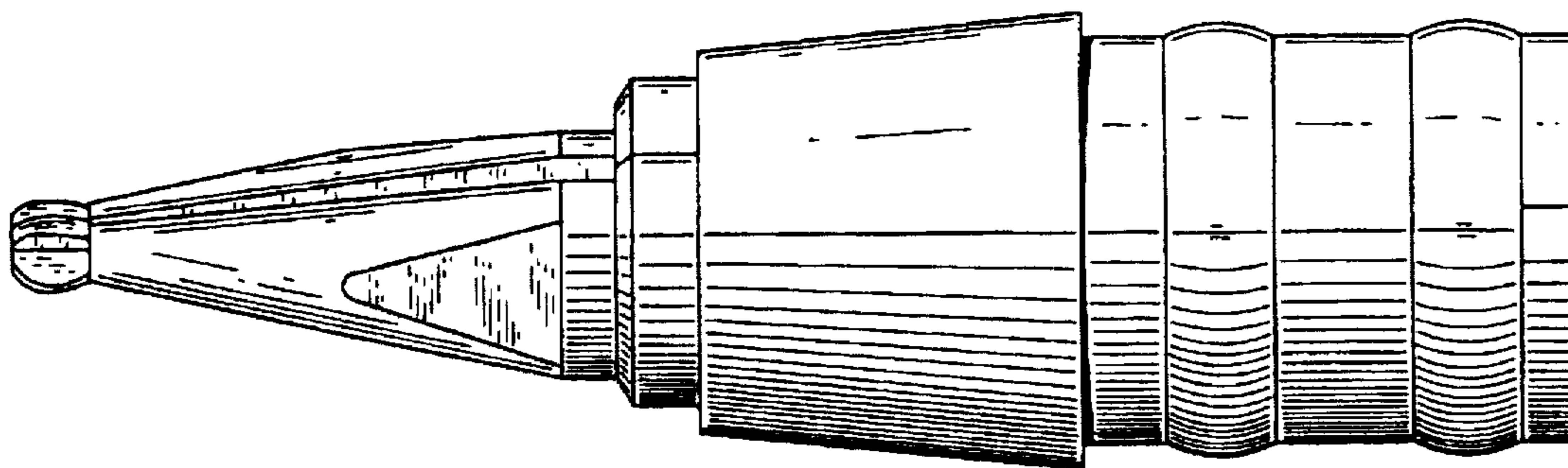


FIG. 7

