

US00D389860S

United States Patent [19]

Nakajima et al.

[11] Patent Number: **Des. 389,860**

[45] Date of Patent: ****Jan. 27, 1998**

[54] TONER CARTRIDGE

D. 356,815 3/1995 Nakajima D18/43
D. 365,845 1/1996 Yasuda et al. D18/40 X

[75] Inventors: **Shigeki Nakajima; Yukio Ota;**
Yoshiharu Momiyama, all of Tokyo,
Japan

Primary Examiner—Caron D. Veynar
Attorney, Agent, or Firm—Ladas & Parry

[73] Assignee: **Oki Data Corporation,** Tokyo, Japan

[57] **CLAIM**

[**] Term: **14 Years**

The ornamental design for a toner cartridge, as shown.

[21] Appl. No.: **51,218**

DESCRIPTION

[22] Filed: **Mar. 5, 1996**

FIG. 1 is a front view of an embodiment of a toner cartridge showing our new design;

[51] LOC (6) Cl. **16-03**

FIG. 2 is a rear view of the embodiment of FIG. 1;

[52] U.S. Cl. **D18/43**

FIG. 3 is a top view of the embodiment of FIG. 1;

[58] **Field of Search** D18/36, 40, 43,
D18/56; D9/552, 565; 206/213, 316, 446,
461, 467, 474, 495, 527, 532, 601, 628,
631, 633; 222/DIG. 1, 166, 240, 325, 541;
355/200, 206-208, 244, 245, 260, 298,
309

FIG. 4 is a bottom view of the embodiment of FIG. 1;

FIG. 5 is a left side view of the embodiment of FIG. 1;

FIG. 6 is a right side view of the embodiment of FIG. 1;

FIG. 7 is a sectional view taken on line 7—7 in FIG. 1;

FIG. 8 is a perspective view of the embodiment of FIG. 1; and,

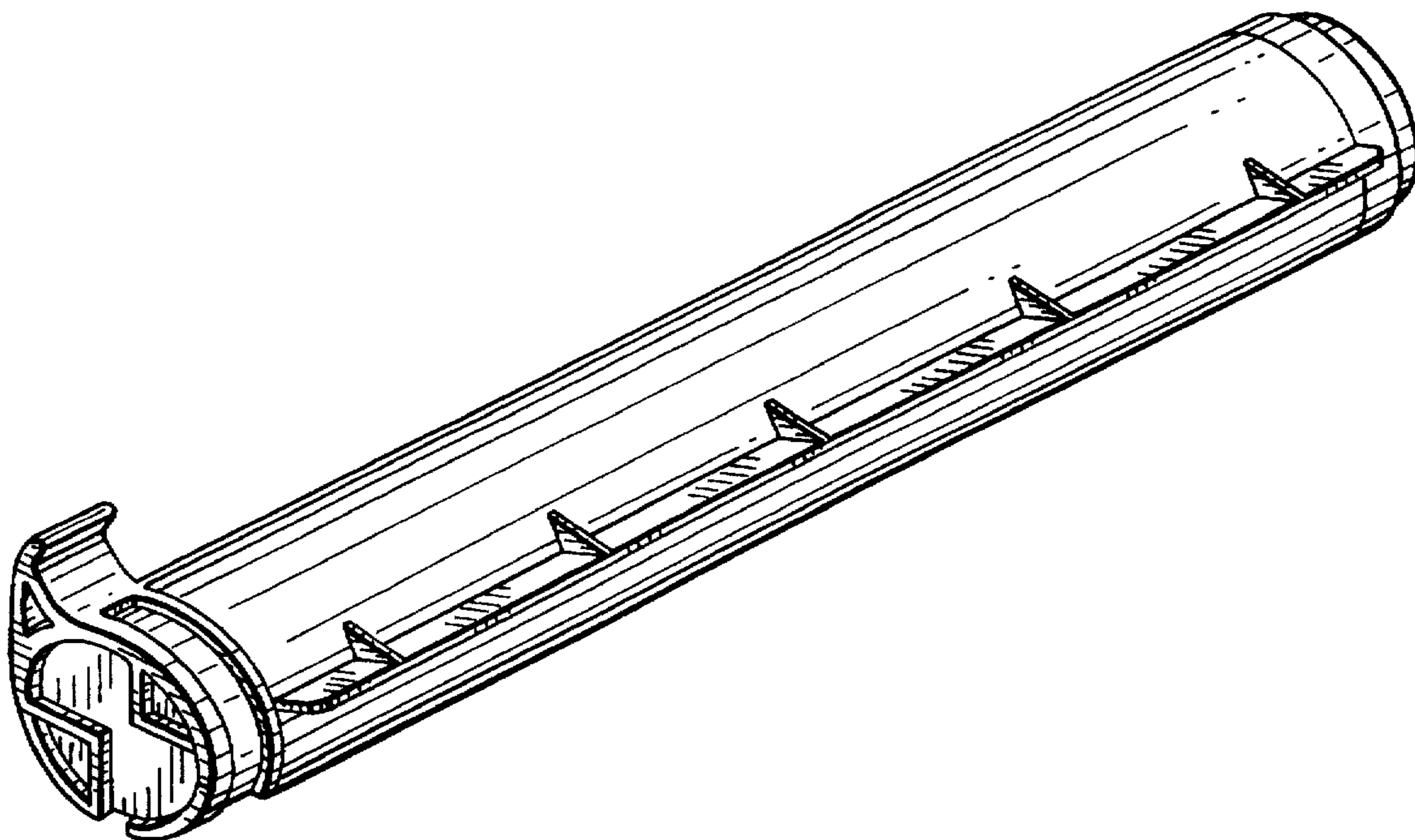
FIG. 9 is a perspective view, the broken line showing of a housing is for illustrative purposes only and forms no part of the claimed design.

[56] **References Cited**

U.S. PATENT DOCUMENTS

D. 348,689 7/1994 Kikuchi et al. D18/43

1 Claim, 5 Drawing Sheets



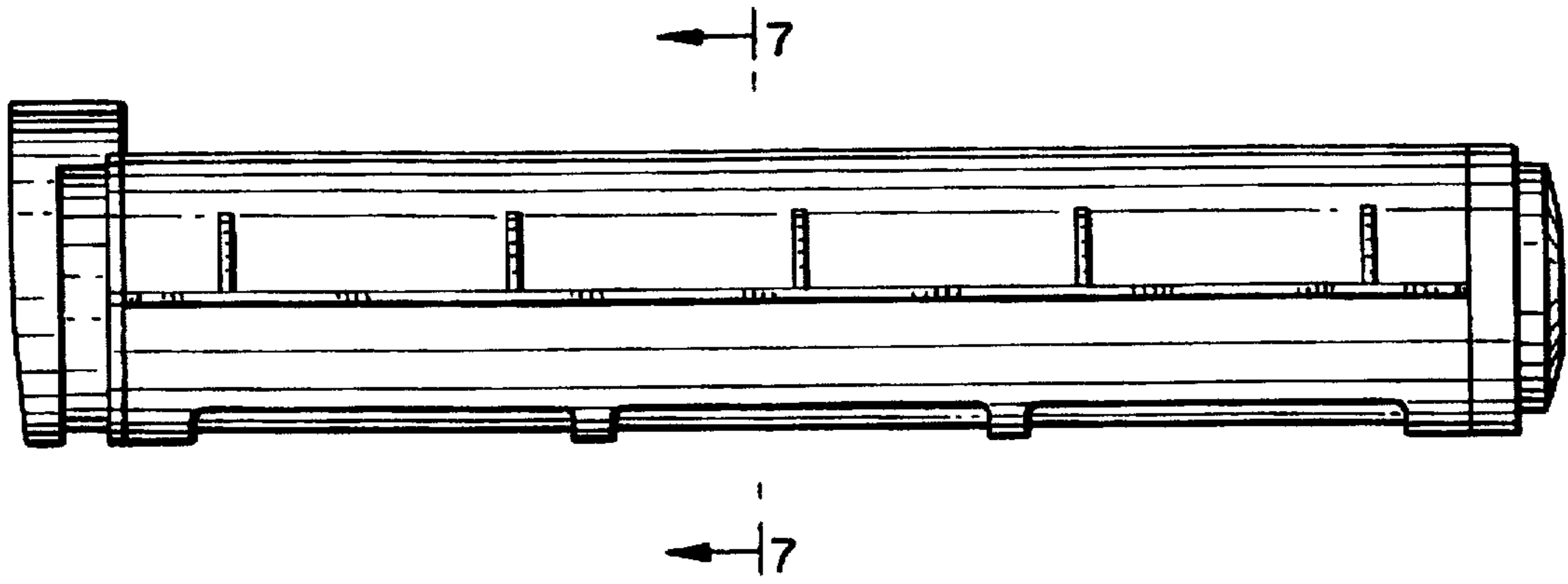


FIG. 1

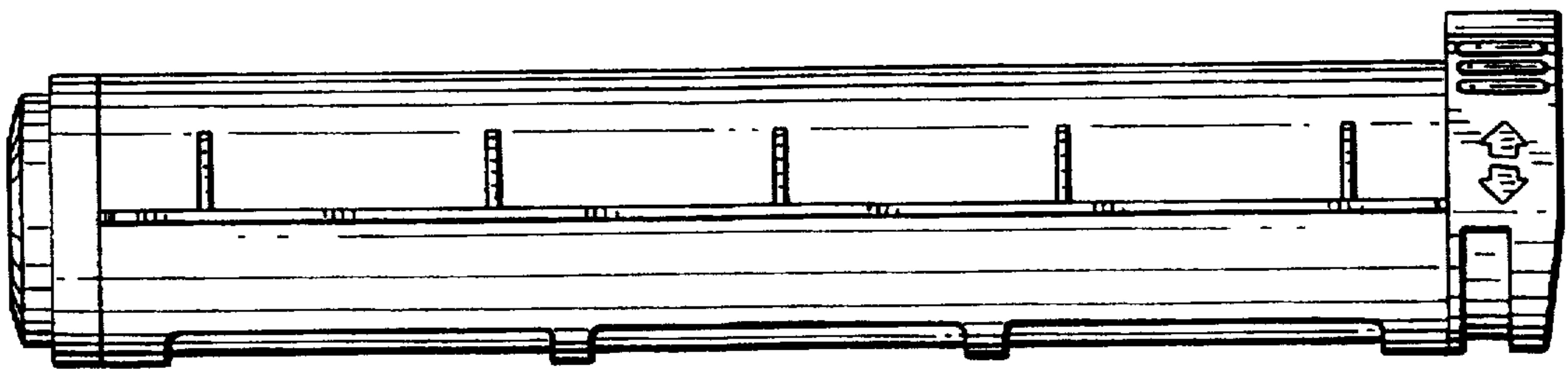


FIG. 2

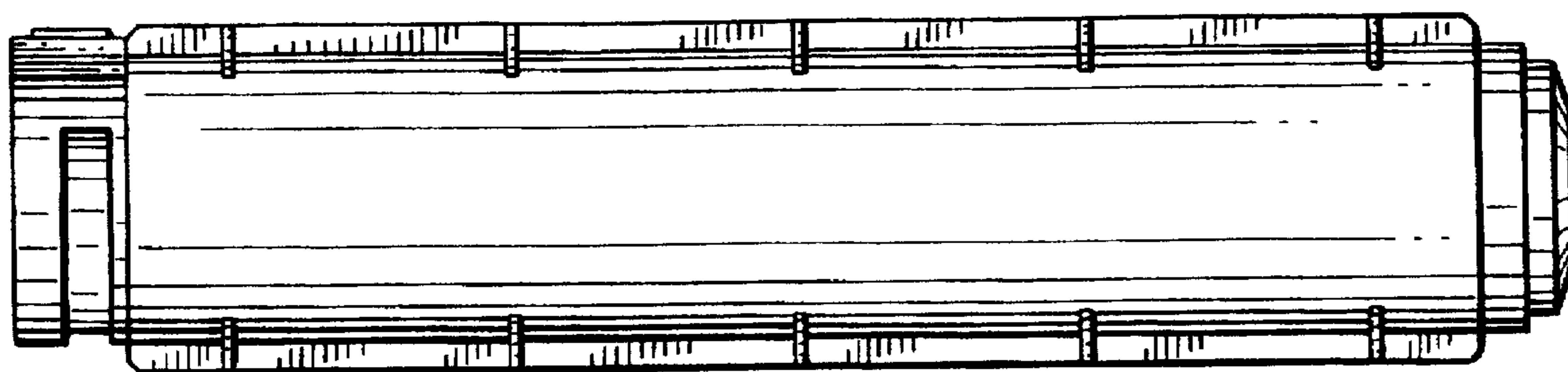


FIG. 3

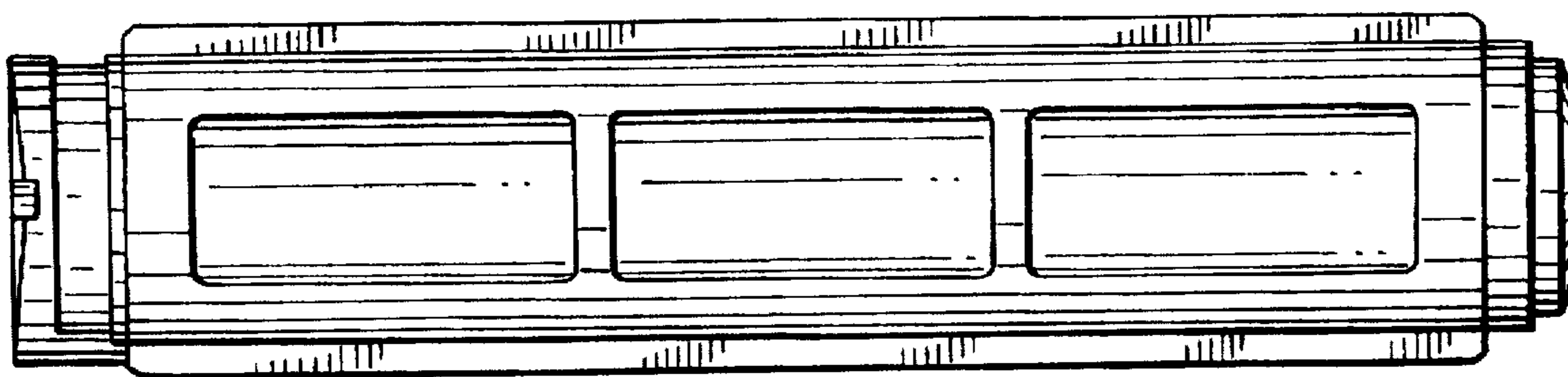


FIG. 4

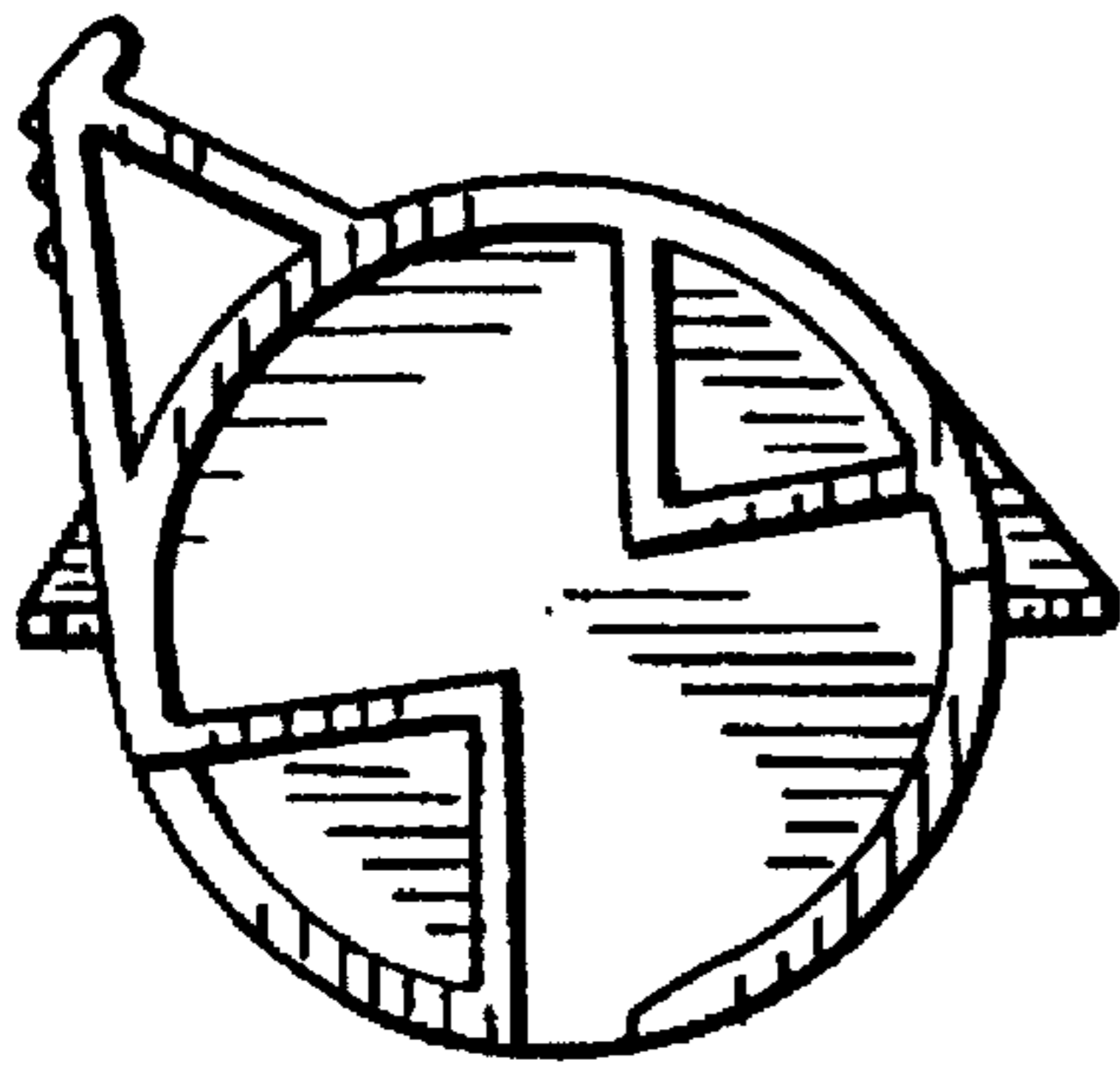


FIG. 5

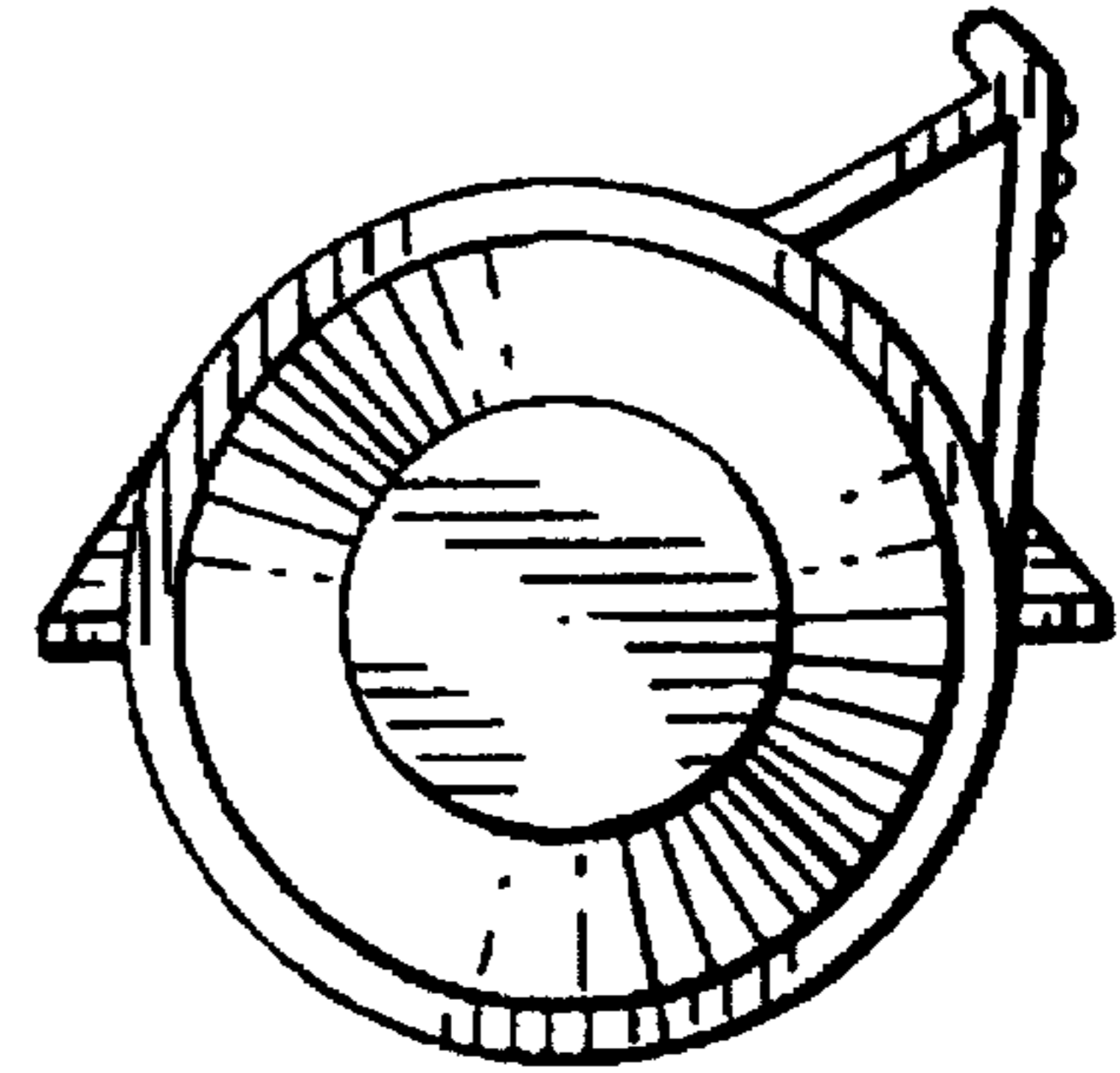


FIG. 6

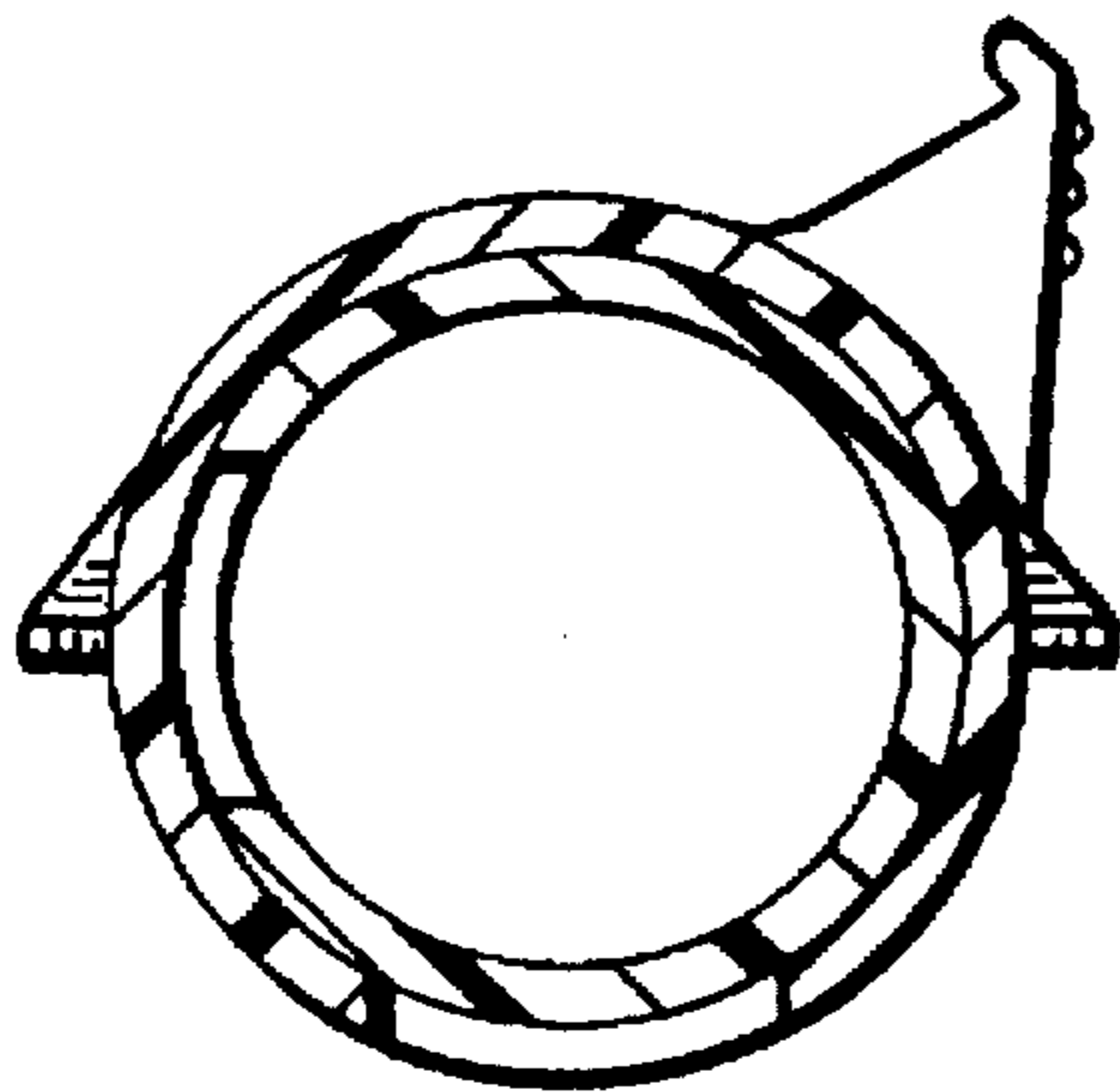


FIG. 7

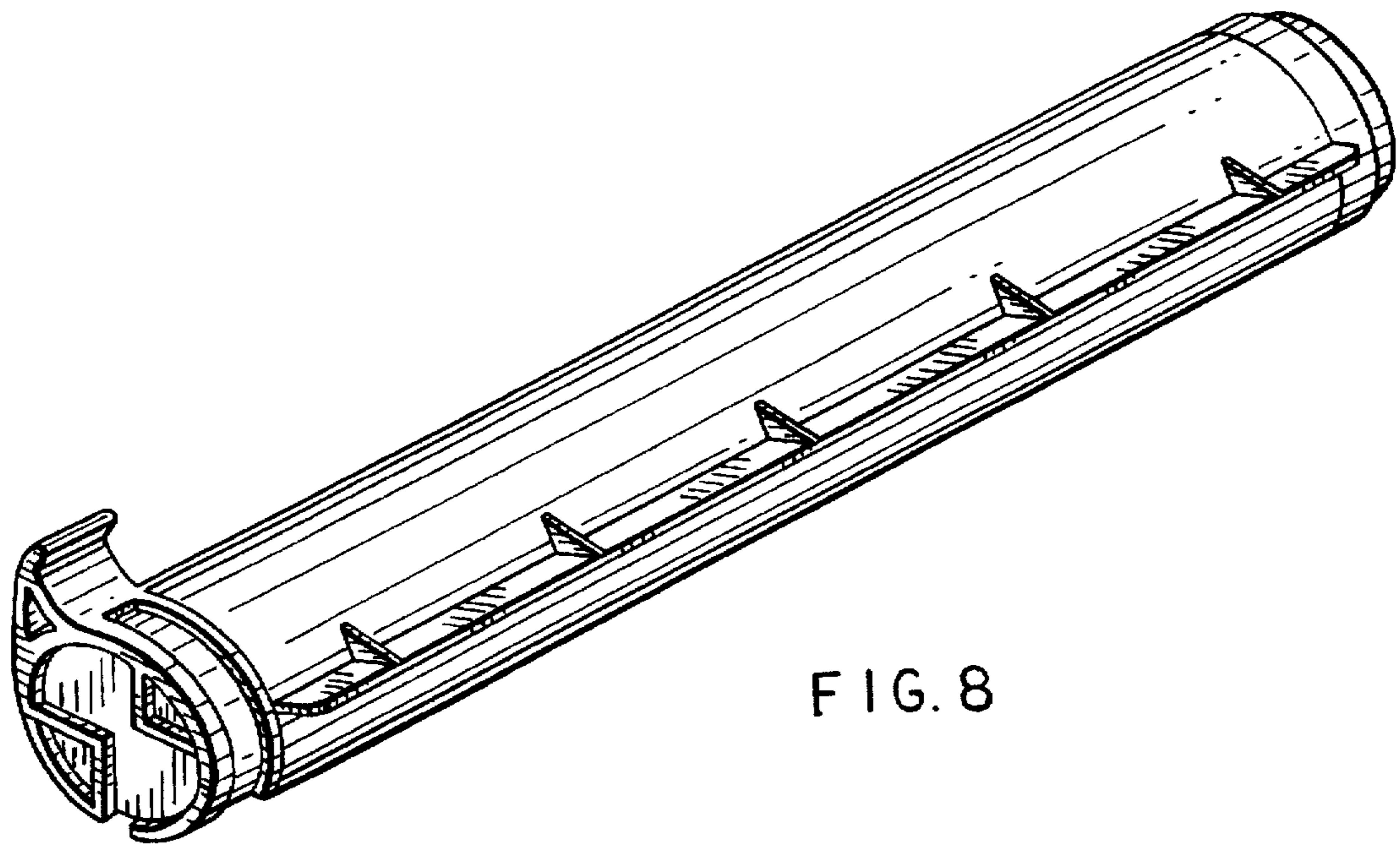


FIG. 8

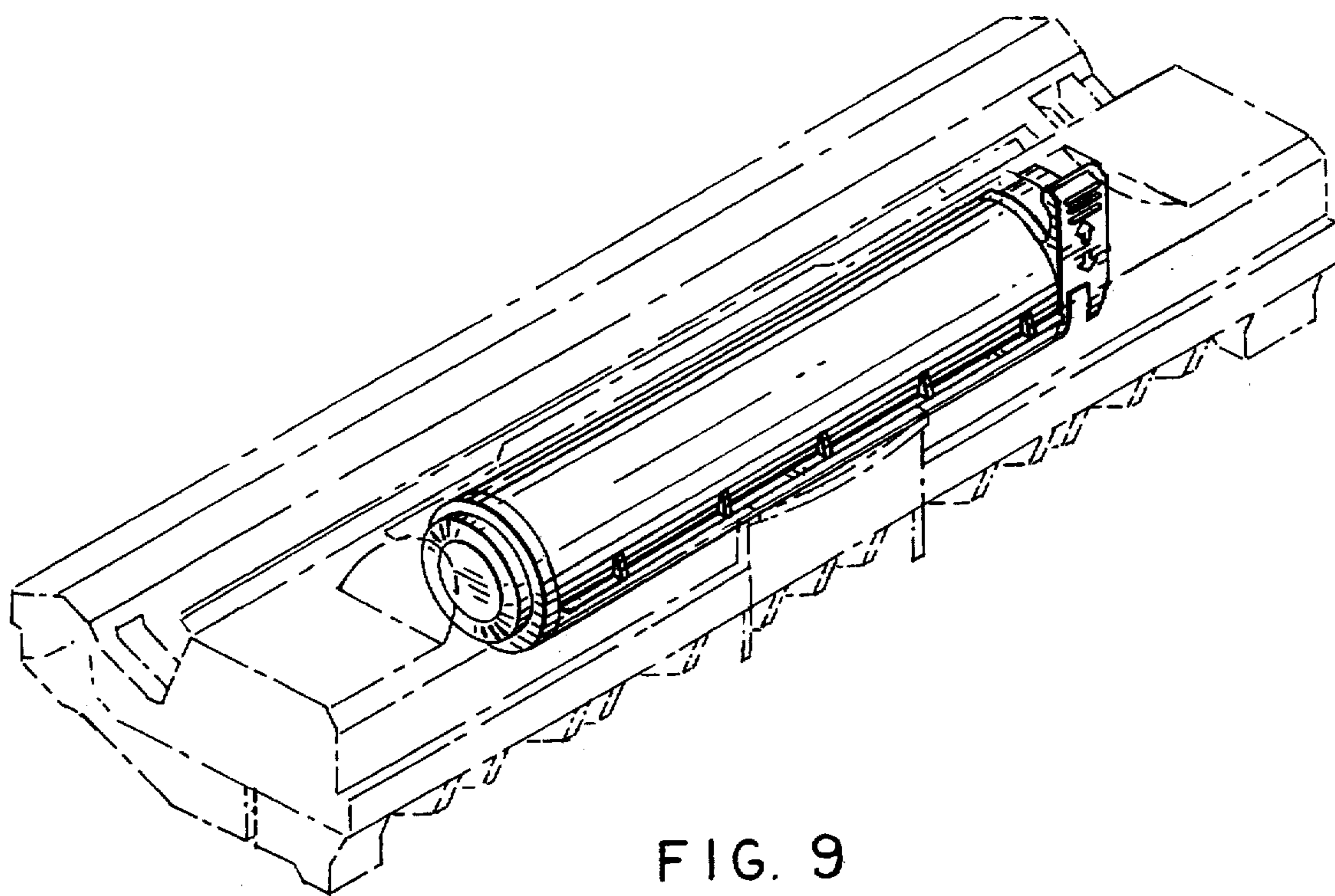


FIG. 9