



US00D389859S

United States Patent [19]

Thuma et al.

[11] Patent Number: **Des. 389,859**

[45] Date of Patent: ****Jan. 27, 1998**

[54] **HAND-HELD PRINTER**

[75] Inventors: **Michael Thuma**, Des Plaines; **Paul J. Doczy**, Chicago, both of Ill.

[73] Assignee: **Panduit Corp.**, Tinley Park, Ill.

[**] Term: **14 Years**

[21] Appl. No.: **66,366**

[22] Filed: **Feb. 5, 1997**

[51] LOC (6) Cl. **18-02**

[52] U.S. Cl. **D18/14; D18/19; D18/52**

[58] Field of Search **D18/50, 52, 54, D18/14, 19; 400/88, 690; 107/288; 156/384**

[56] **References Cited**

U.S. PATENT DOCUMENTS

D. 349,920	8/1994	Wendt et al.	D18/52 X
D. 360,890	8/1995	Tremlett	D18/19 X
4,264,396	4/1981	Stewart .	
4,623,418	11/1986	Gombrich et al.	18/50 X
4,630,538	12/1986	Cushman .	

4,734,713	3/1988	Sato et al.	101/288 X
4,757,329	7/1988	Sato et al.	101/288 X
5,294,782	3/1994	Rumel	400/88

Primary Examiner—Louis S. Zarfes
Attorney, Agent, or Firm—Mark D. Hilliard; Robert A. McCann; Michael J. Turgeon

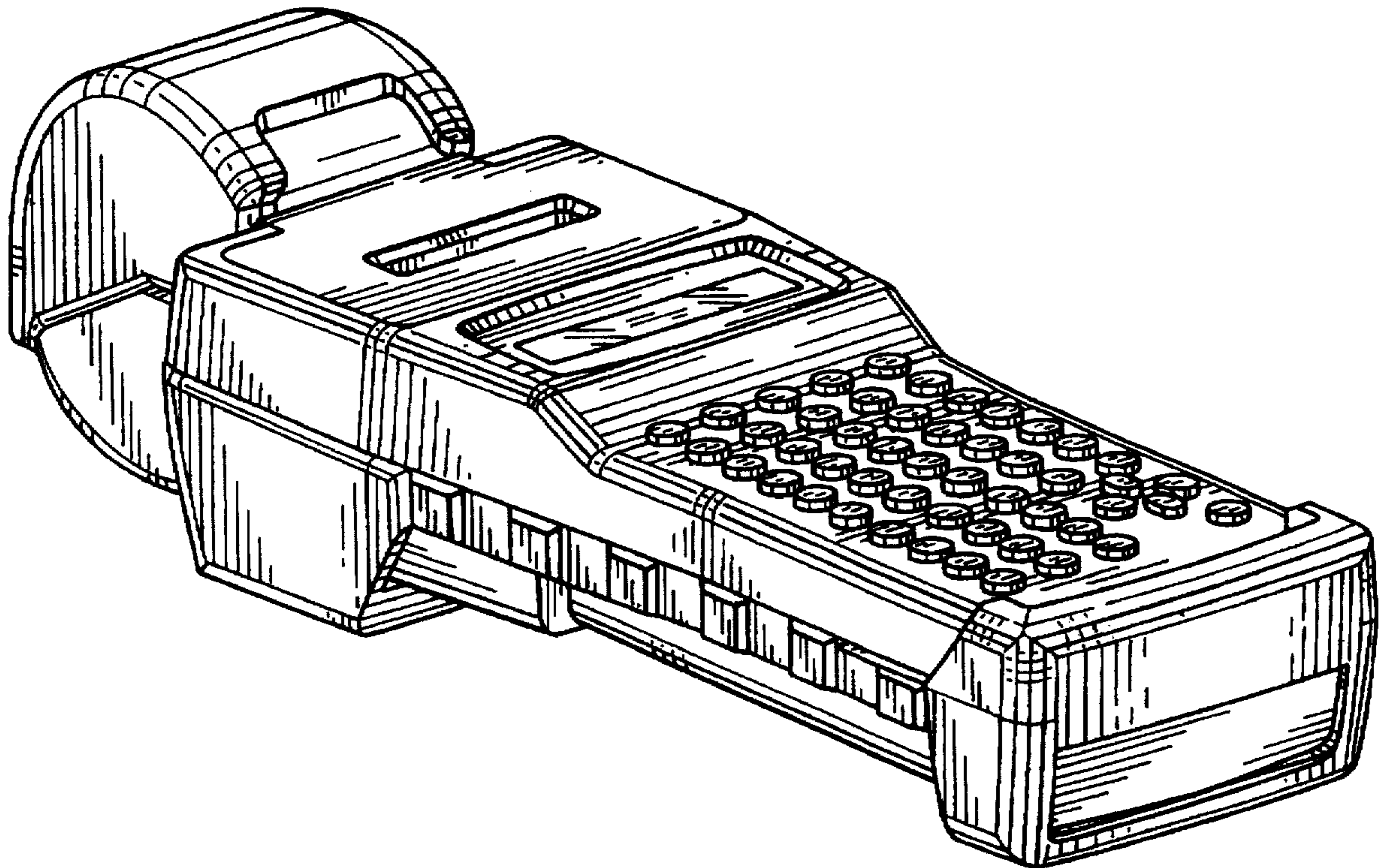
[57] **CLAIM**

The ornamental design for a hand-held printer, as shown and described.

DESCRIPTION

FIG. 1 is a top perspective view of the hand-held printer; FIG. 2 is a bottom perspective view of the hand-held printer of FIG. 1; FIG. 3 is a top view of the hand-held printer of FIG. 1; FIG. 4 is a left side view of the hand-held printer of FIG. 1; FIG. 5 is a right side view of the hand-held printer of FIG. 1; FIG. 6 is a front view of the hand-held printer of FIG. 1; FIG. 7 is a back view of the hand-held printer of FIG. 1; and, FIG. 8 is a bottom view of the hand-held printer of FIG. 1.

1 Claim, 5 Drawing Sheets



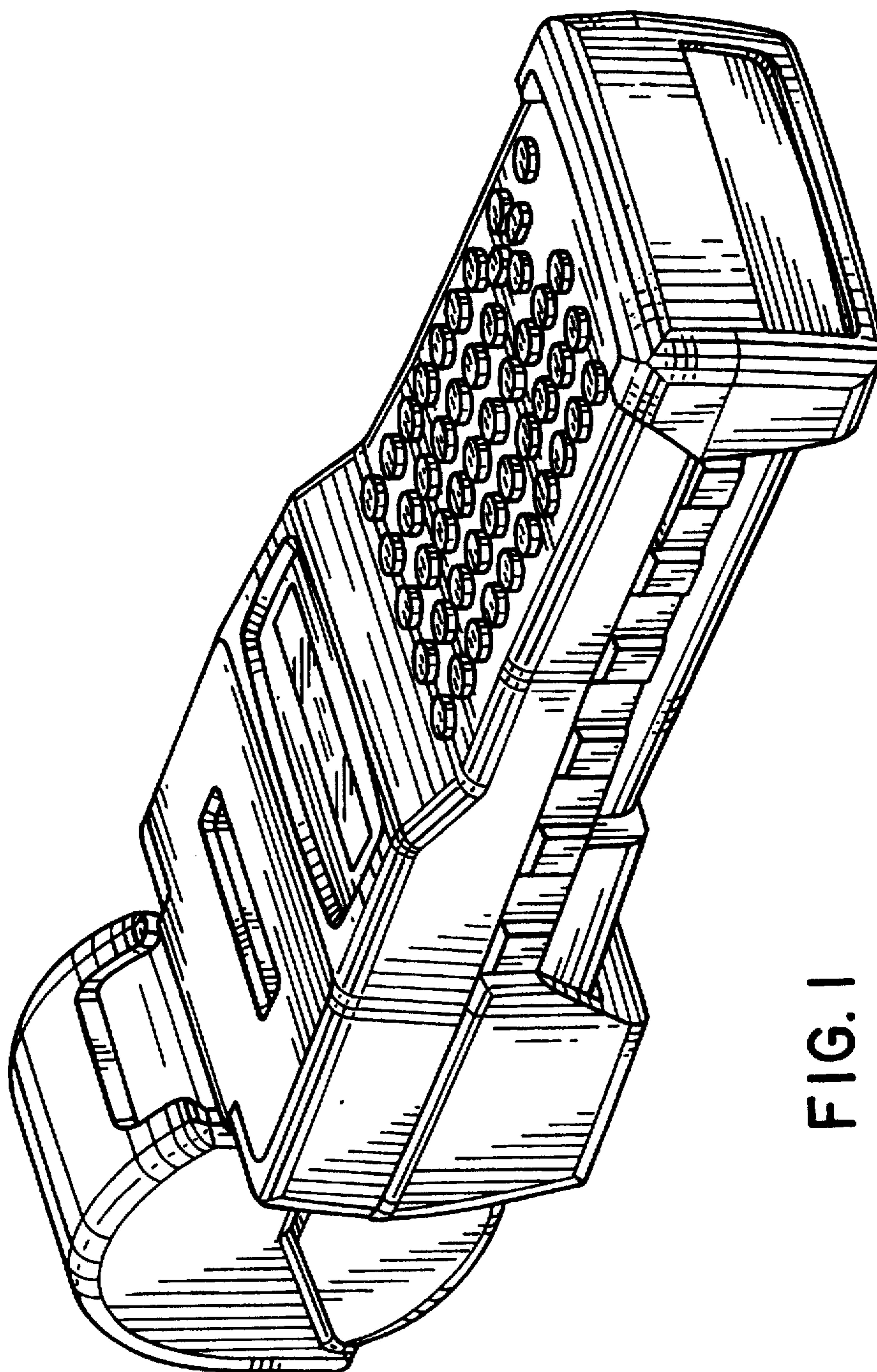


FIG. 1

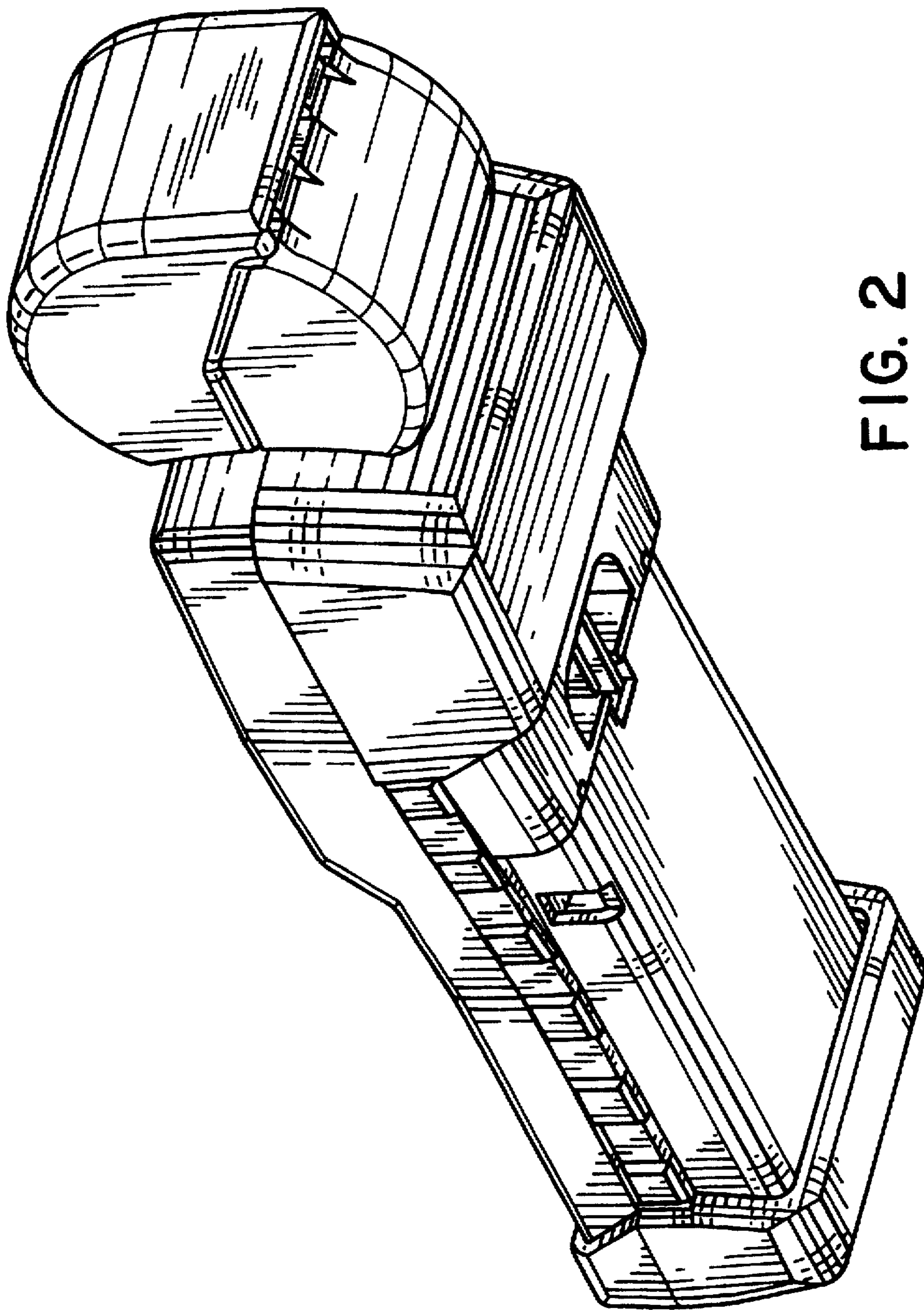


FIG. 2

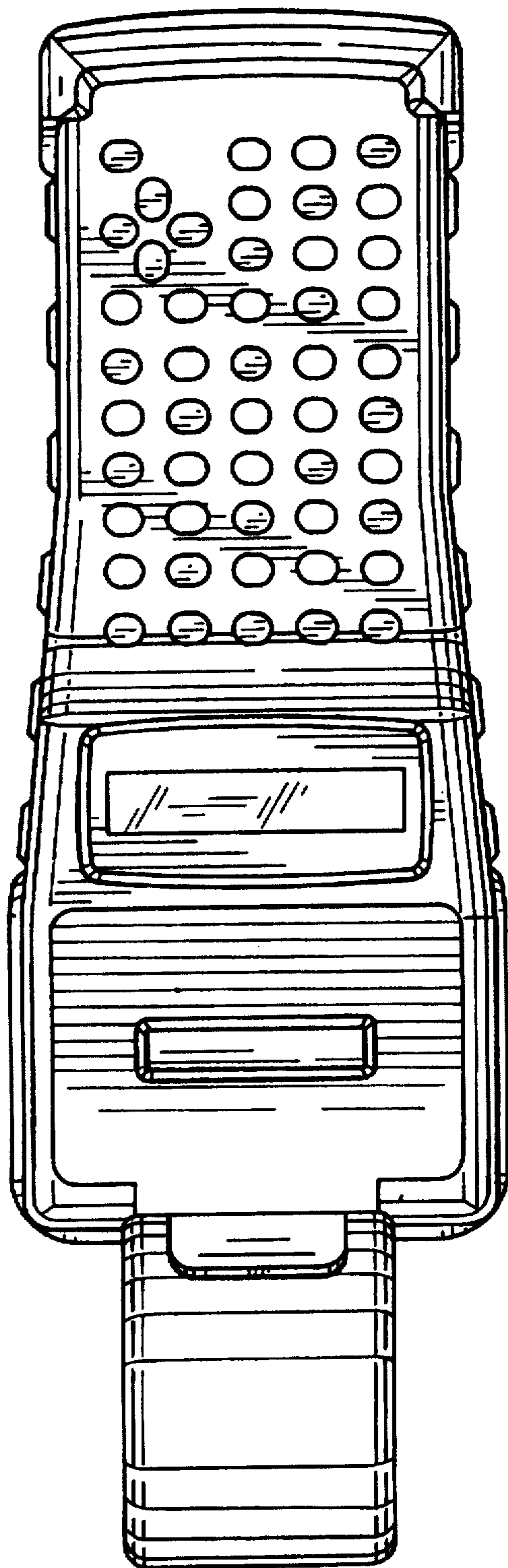


FIG. 3

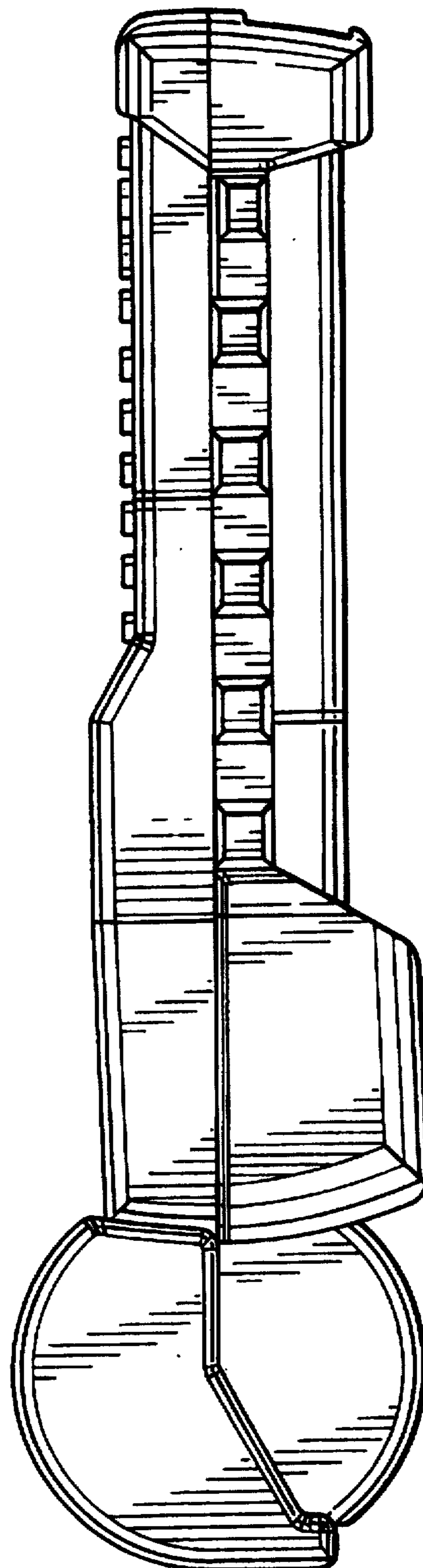


FIG. 4

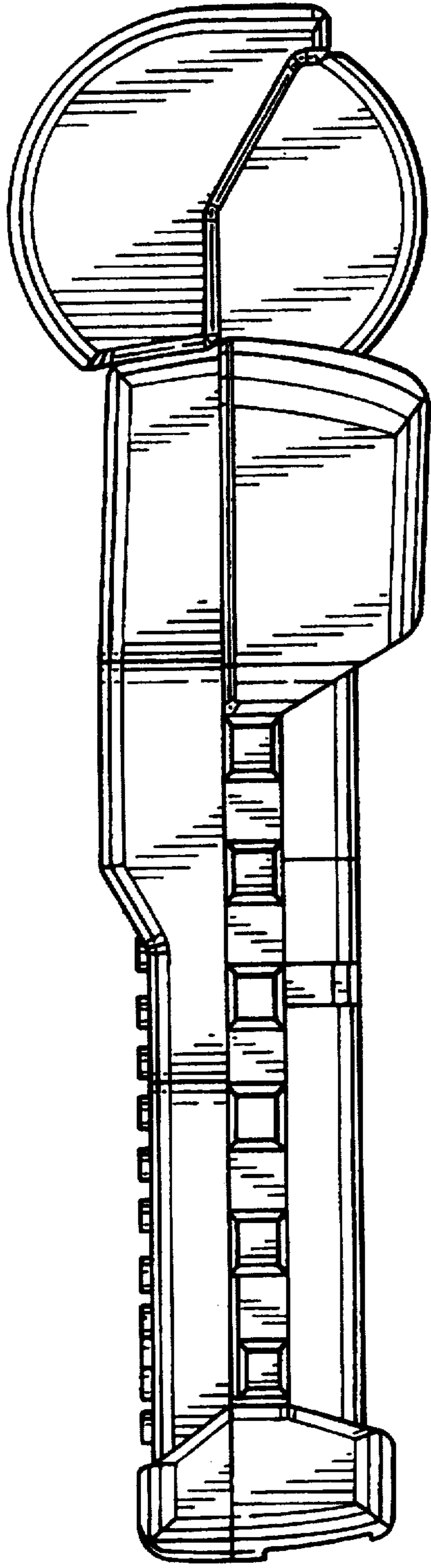


FIG. 5

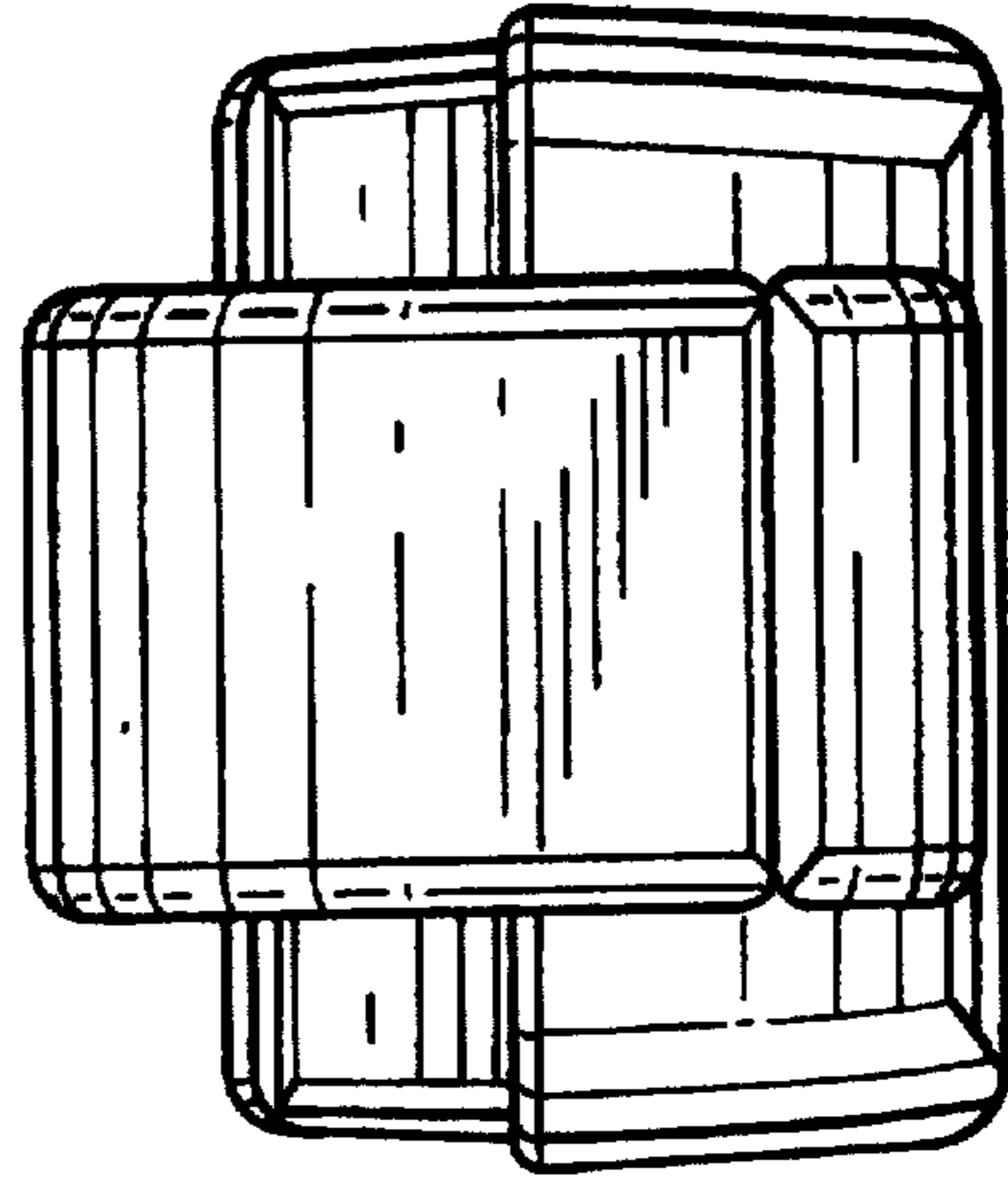


FIG. 7

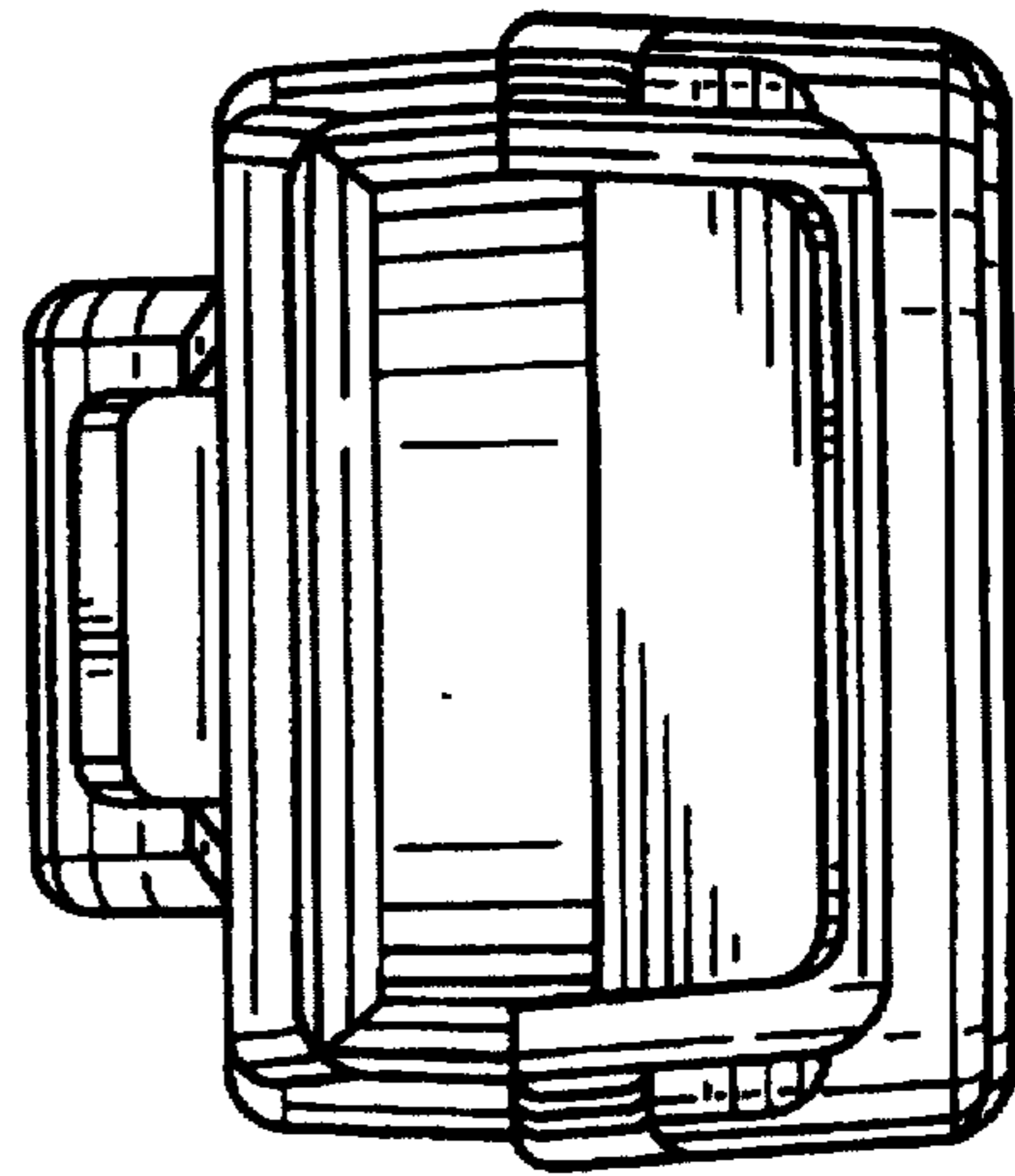


FIG. 6

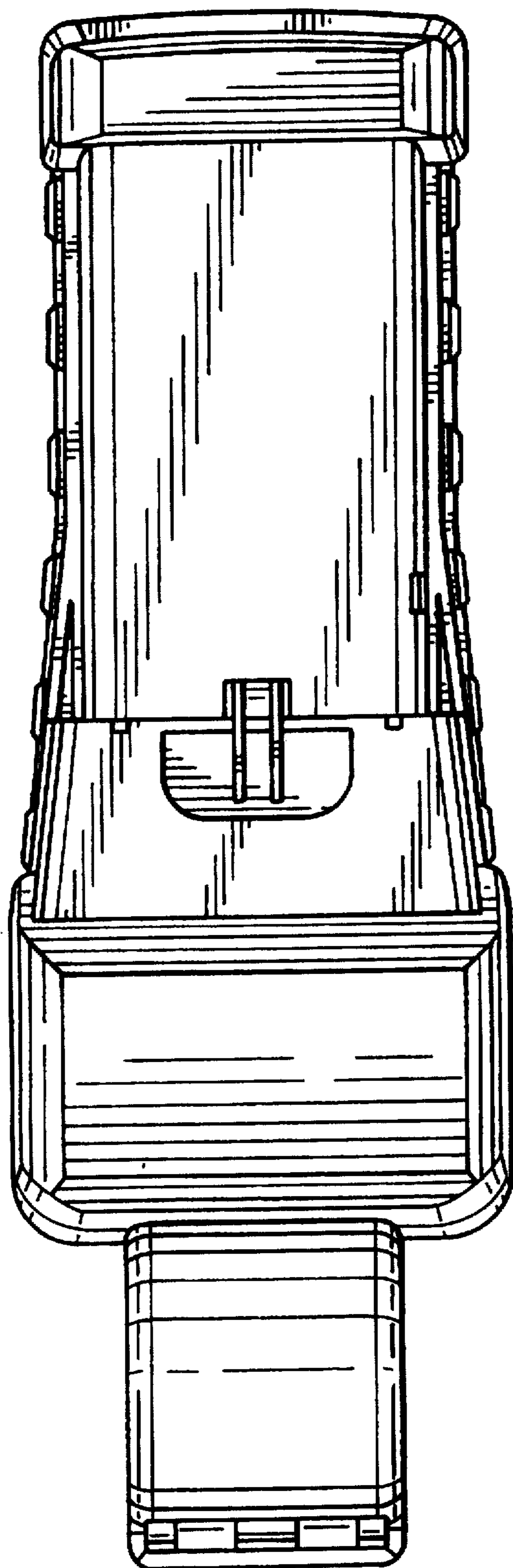


FIG. 8