



US00D389853S

# United States Patent [19] Kosakowski

[11] Patent Number: **Des. 389,853**  
[45] Date of Patent: **\*\*Jan. 27, 1998**

[54] **EYEGLOSS SIDEBAR PROTECTOR**  
[76] Inventor: **Betty Jean Kosakowski**, 15 Absecon Rd., Parsippany, N.J. 07054  
[\*\*] Term: **14 Years**  
[21] Appl. No.: **66,667**  
[22] Filed: **Feb. 18, 1997**  
[51] **LOC (6) Cl.** ..... **16-06**  
[52] **U.S. Cl.** ..... **D16/330; D16/337; D16/336**  
[58] **Field of Search** ..... **D16/300, 306, D16/309, 323, 324, 330, 335, 336-339, 341; 351/41, 44, 51, 52, 119, 122, 123, 157, 158; 2/2, 449**

4,818,094 4/1989 Lyons ..... 351/157  
5,440,355 8/1995 Ross ..... 351/122

### OTHER PUBLICATIONS

PéBél by Protek Glasses.

*Primary Examiner*—Raphael Barkai  
*Attorney, Agent, or Firm*—David L. Volk

### [57] CLAIM

The ornamental design for an eyeglass sidebar protector, as shown and described.

### DESCRIPTION

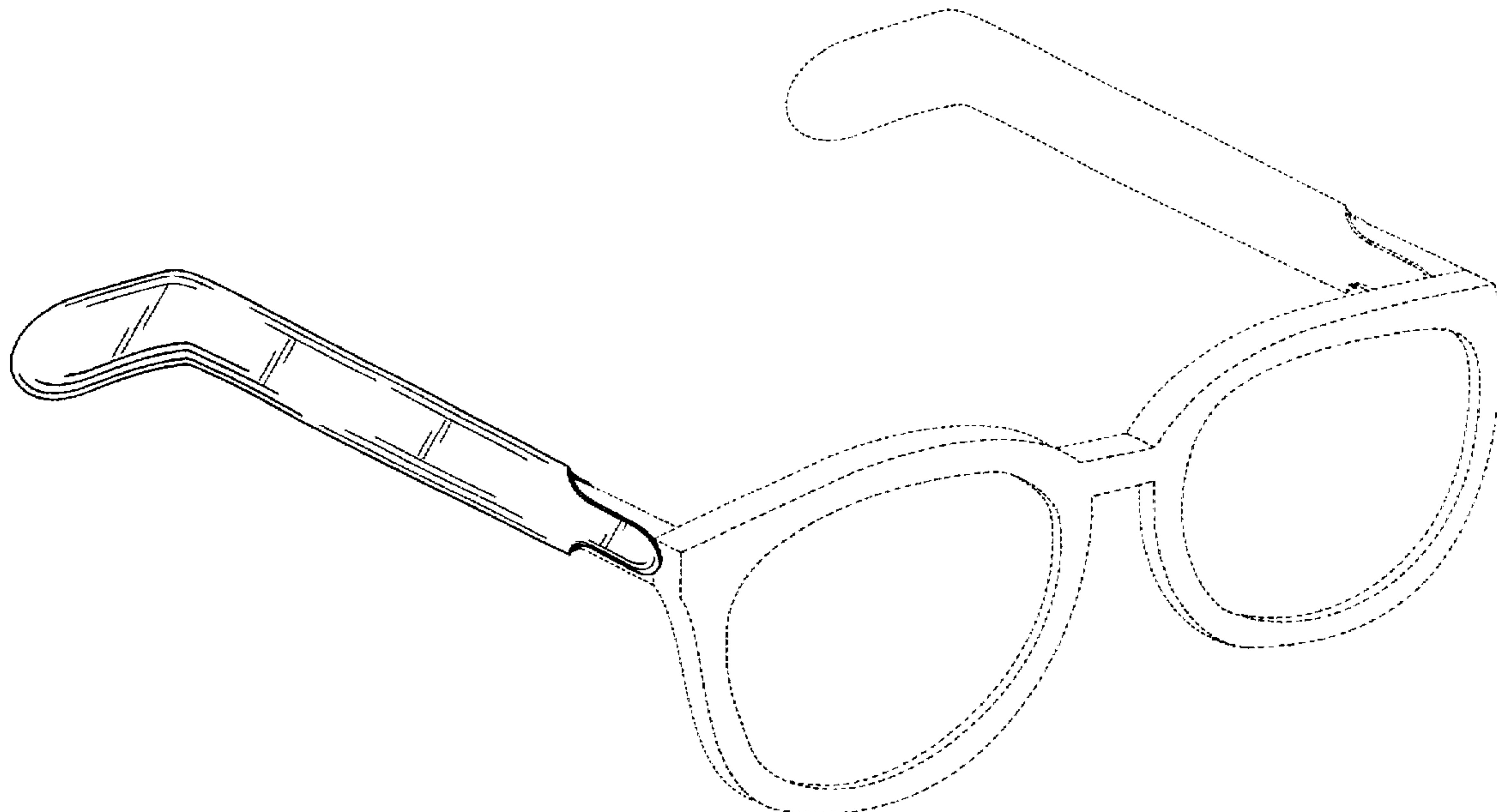
FIG. 1 is a top, left perspective view of an eyeglass sidebar protector showing my new design;  
FIG. 2 is a bottom, right perspective view thereof;  
FIG. 3 is a left side elevational view thereof, the opposite side being a mirror image;  
FIG. 4 is a rear elevational view thereof;  
FIG. 5 is a top plan view thereof; and,  
FIG. 6 is a bottom plan view thereof; and,  
FIG. 7 is a perspective view of two of the eyeglass sidebar protectors in use.  
The broken lin illustration shows environmental structure and forms no part of the claimed invention.

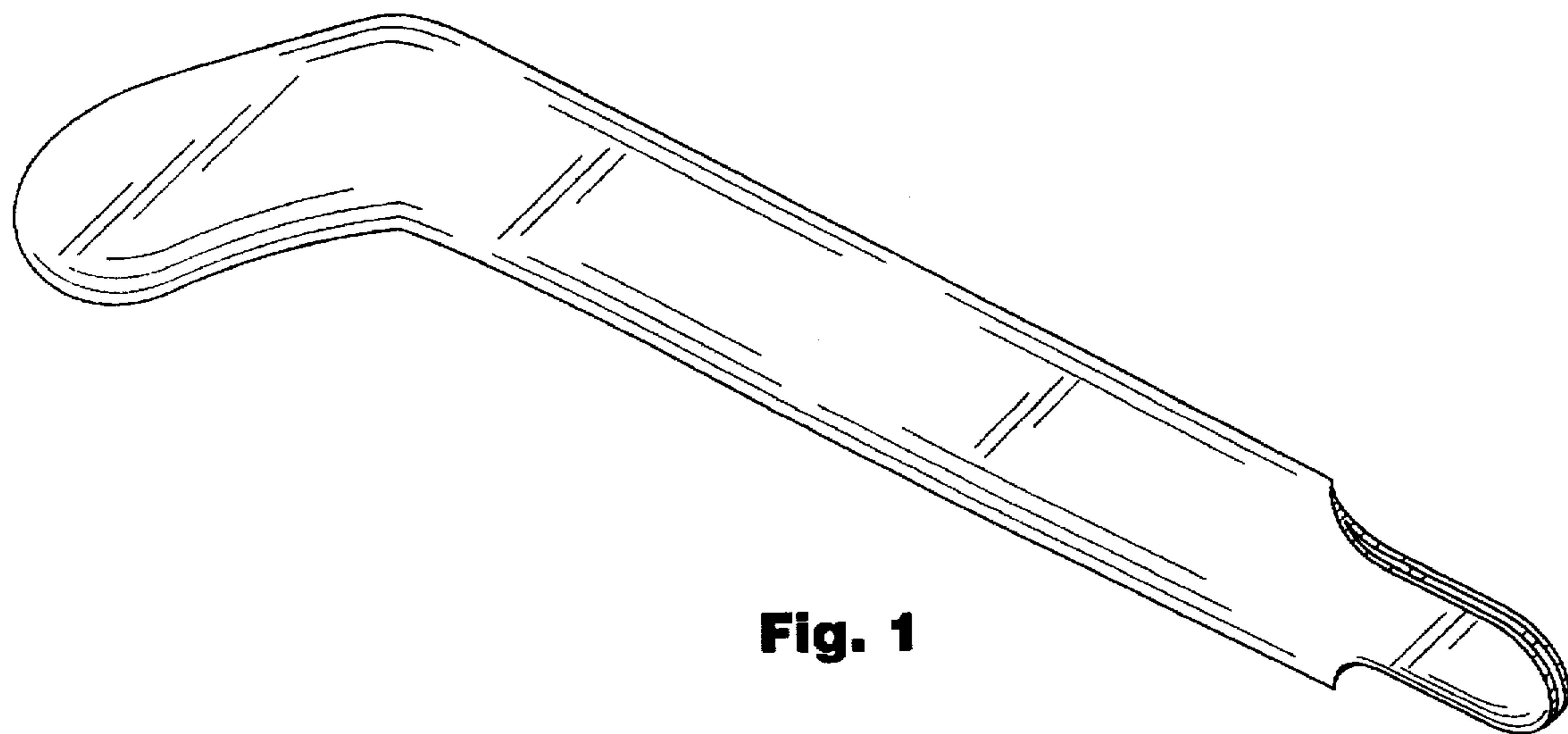
### [56] References Cited

#### U.S. PATENT DOCUMENTS

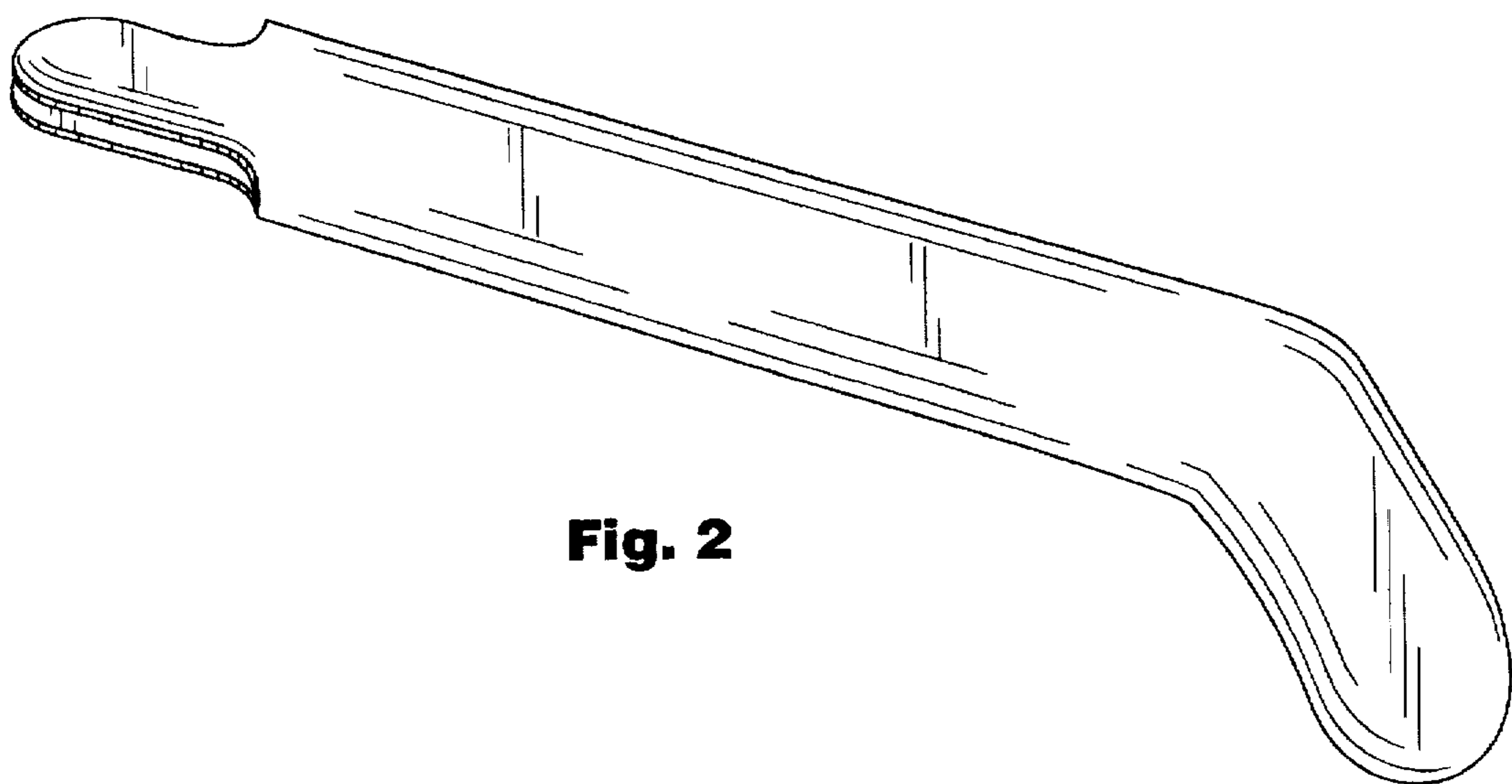
D. 299,356	1/1989	Lyons	.....	D16/339
D. 322,446	12/1991	Bell, Jr.	.....	D16/123
2,294,427	9/1942	Dunn	.....	351/122
3,684,356	8/1972	Bates	.....	351/122
3,993,403	11/1976	Brown	.....	351/178
4,375,911	3/1983	Bononi	.....	351/122
4,563,066	1/1986	Bononi	.....	351/122
4,751,746	6/1988	Rustin	.....	D16/330
4,786,158	11/1988	Barkus-Shenks et al.	.....	351/122

**1 Claim, 3 Drawing Sheets**

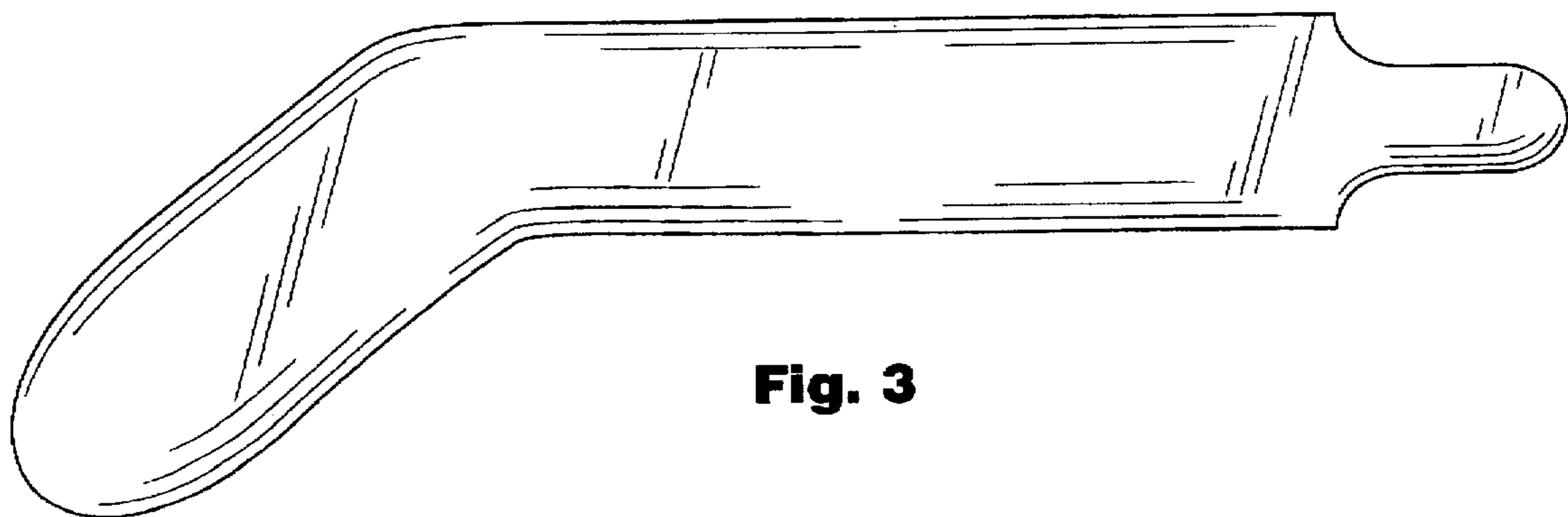




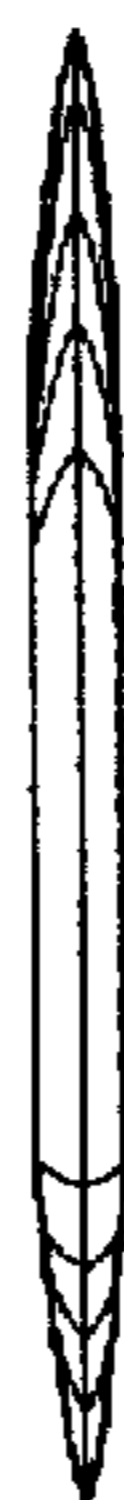
**Fig. 1**



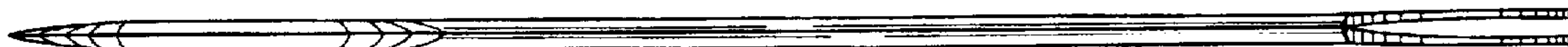
**Fig. 2**



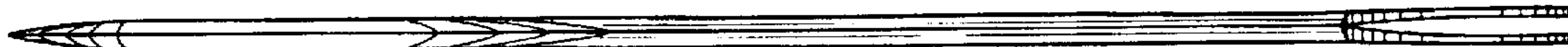
**Fig. 3**



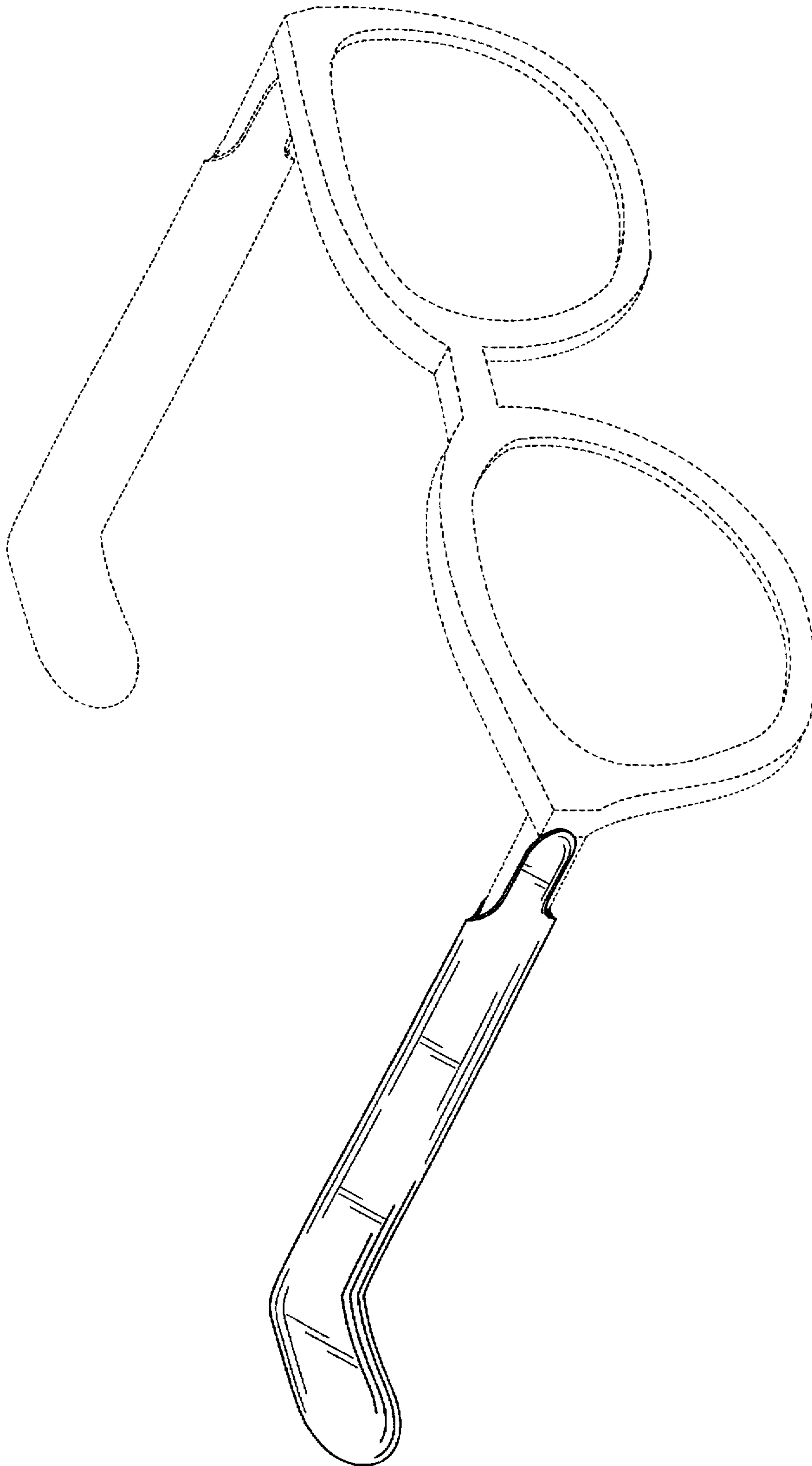
**Fig. 4**



**Fig. 5**



**Fig. 6**



**Fig. 7**