



US00D389851S

United States Patent [19]

Noda

[11] Patent Number: **Des. 389,851**

[45] Date of Patent: ****Jan. 27, 1998**

[54] **FILM PACK HOLDER**

[75] Inventor: **Mariko Noda**, Tokyo, Japan

[73] Assignee: **Fuji Photo Film Co., Ltd.**, Kanagawa, Japan

[**] Term: **14 Years**

[21] Appl. No.: **57,203**

[22] Filed: **Jul. 19, 1996**

[30] **Foreign Application Priority Data**

Jan. 22, 1996 [JP] Japan 8-1245

[51] LOC (6) Cl. **16-02**

[52] U.S. Cl. **D16/236**

[58] Field of Search D14/114; D16/236, D16/237, 250; 396/517, 518, 523

[56] **References Cited**

U.S. PATENT DOCUMENTS

D. 220,597	4/1971	Dawson et al.	D14/114
D. 302,434	7/1989	Cawthorne	D16/236
D. 350,124	8/1994	Nakaizumi	D14/114
D. 361,586	8/1995	Noda	D16/236

4,186,308	1/1980	Erikson	396/517
4,821,055	4/1989	Loose et al.	396/517
5,594,522	1/1997	Parsons et al.	396/517

Primary Examiner—Philip S. Hyder
Assistant Examiner—Adir Aronovich
Attorney, Agent, or Firm—Young & Thompson

[57] **CLAIM**

The ornamental design for a film pack holder, as shown and described.

DESCRIPTION

FIG. 1 is a front perspective view of a film pack holder, showing my new design;
FIG. 2 is a front elevational view thereof;
FIG. 3 is a rear elevational view thereof;
FIG. 4 is a top plan view thereof;
FIG. 5 is a bottom plan view thereof;
FIG. 6 is an end view thereof from the left of FIG. 2;
FIG. 7 is an end view thereof from the right of FIG. 2; and,
FIG. 8 is a view thereof similar to FIG. 1 but with a sheet film pack loaded therein.

The broken line showing of a film sheet is for illustrative purposes only and forms no part of the claimed design.

1 Claim, 4 Drawing Sheets

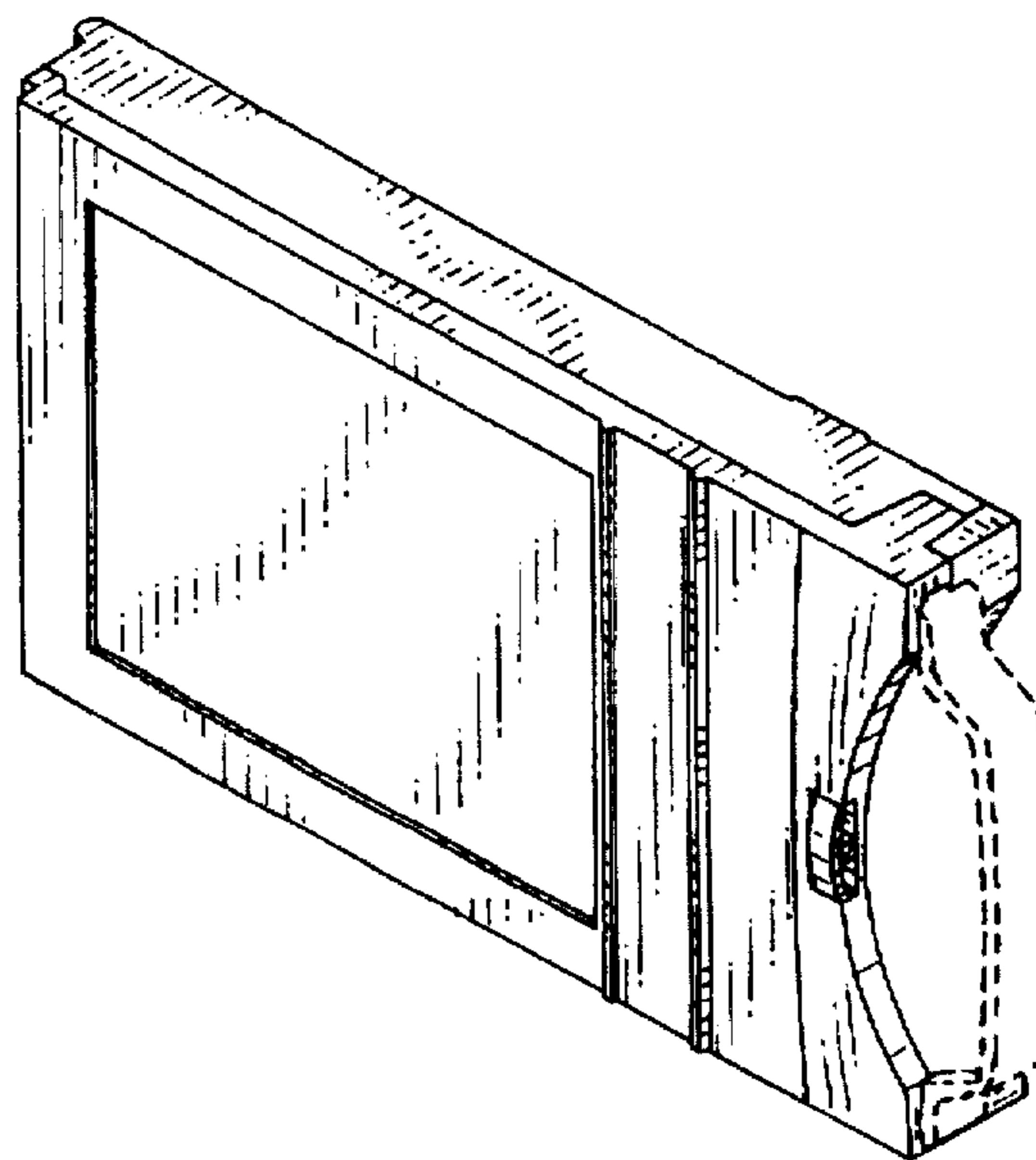
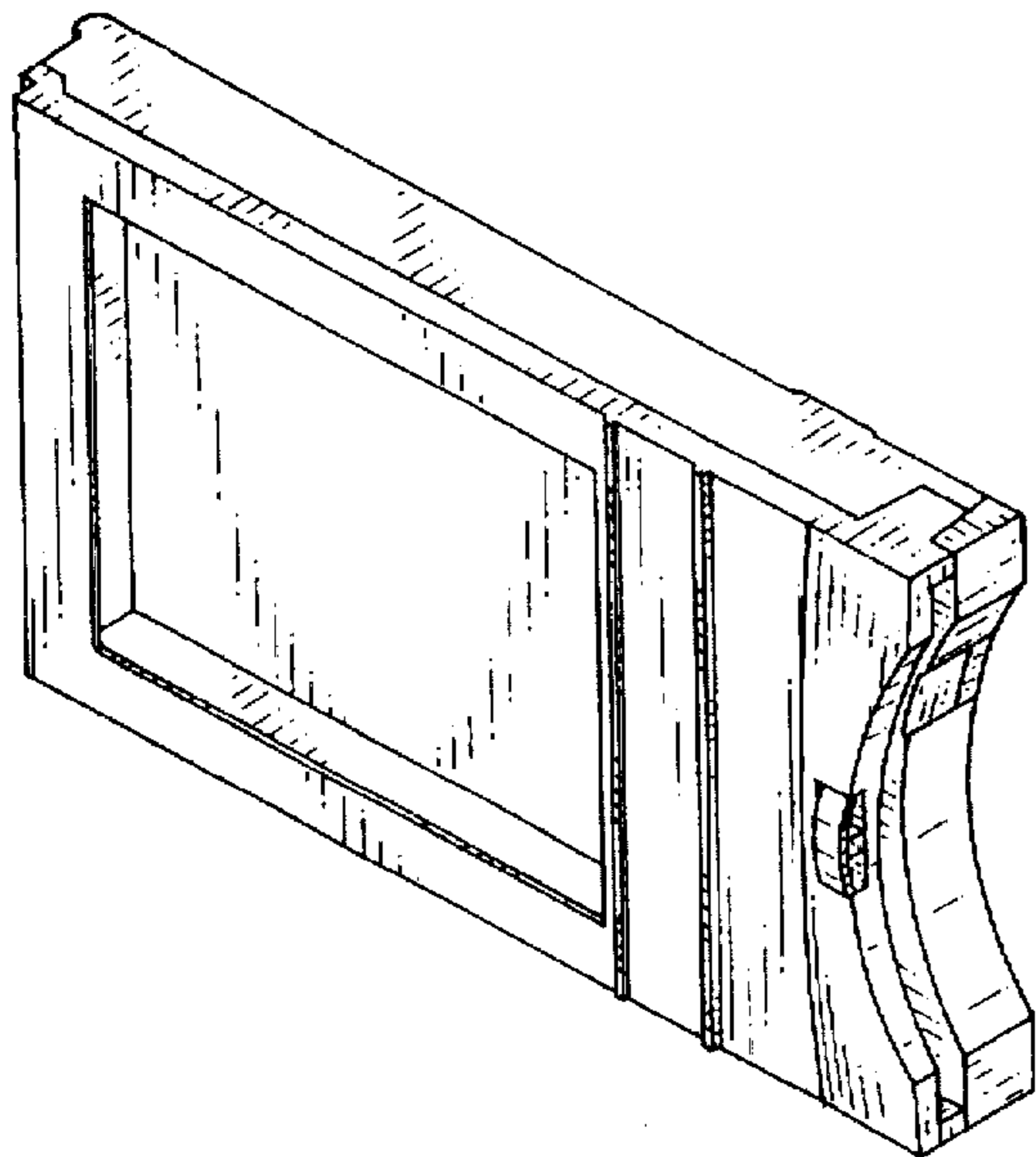


FIG. 1

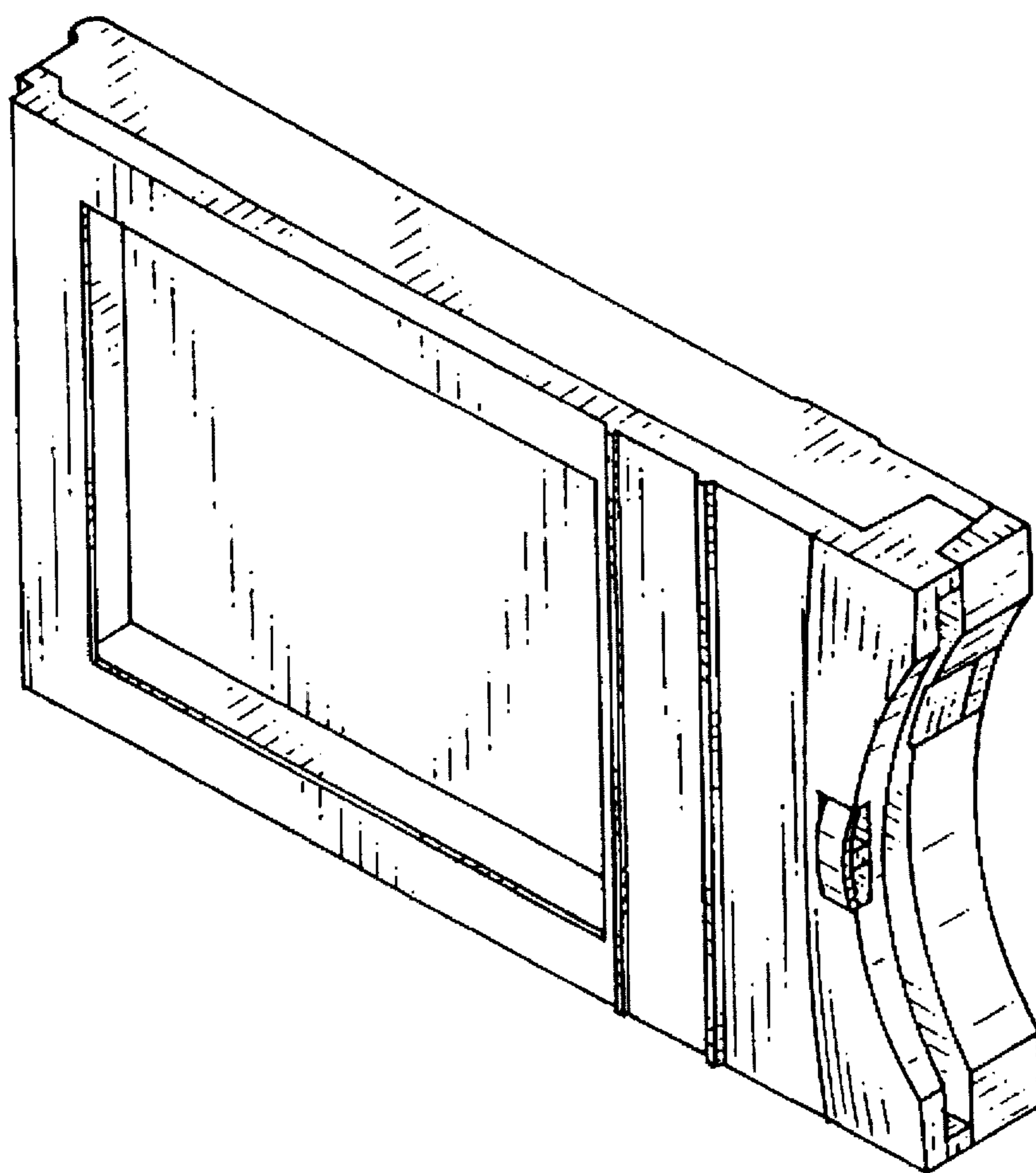


FIG. 2

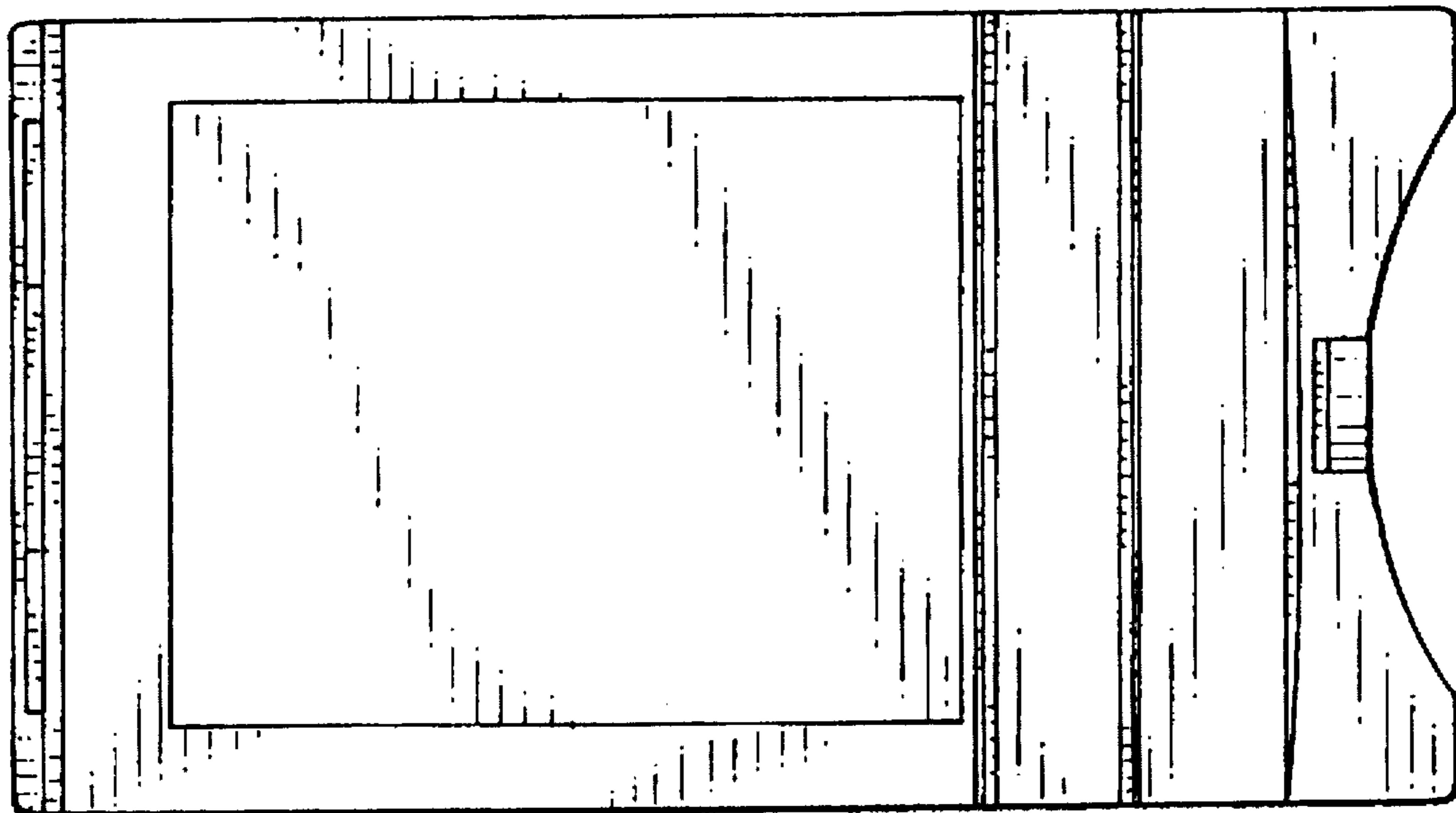


FIG. 3

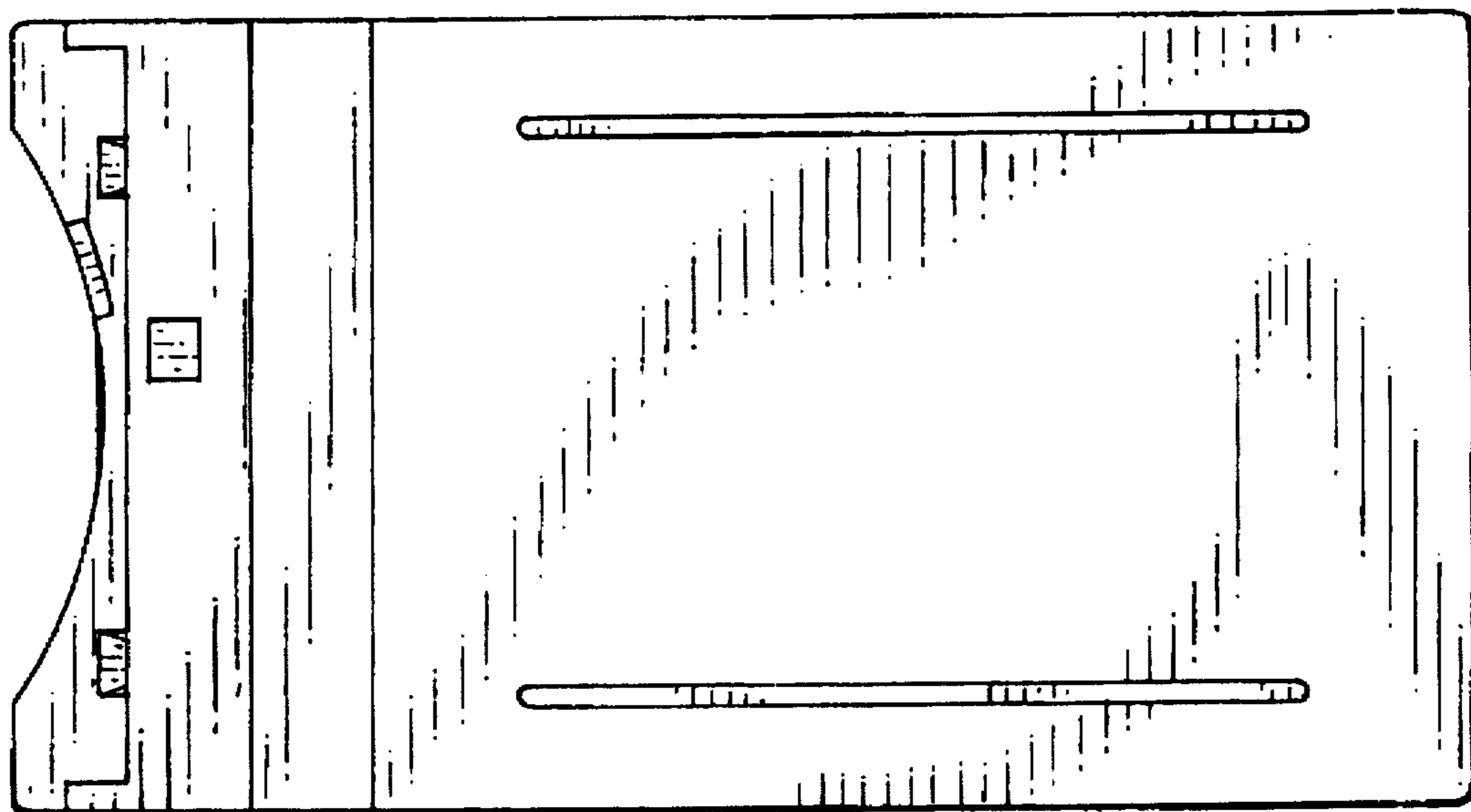


FIG. 4

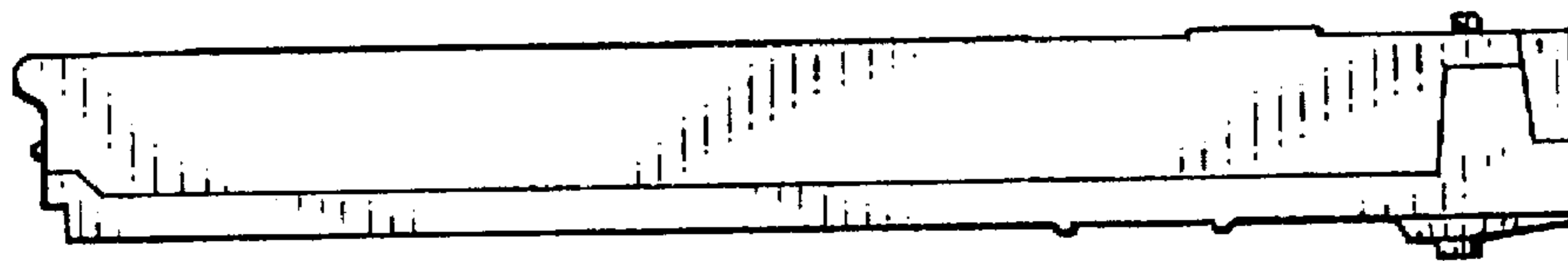


FIG. 5

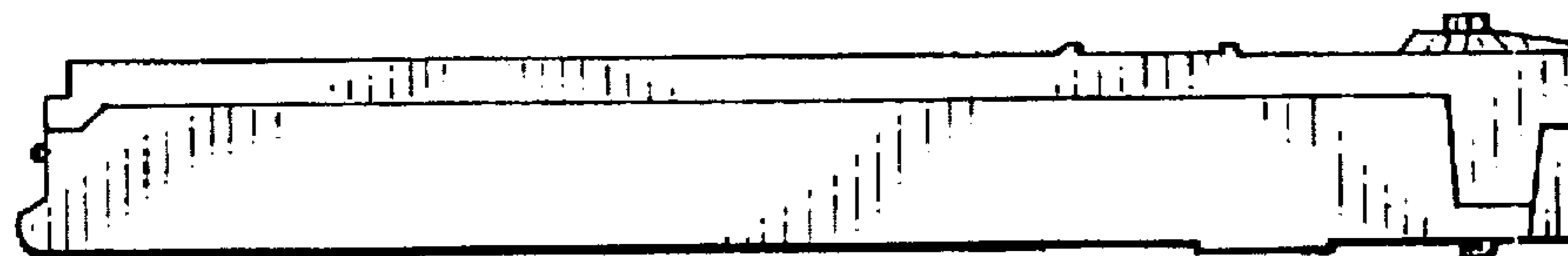


FIG. 6

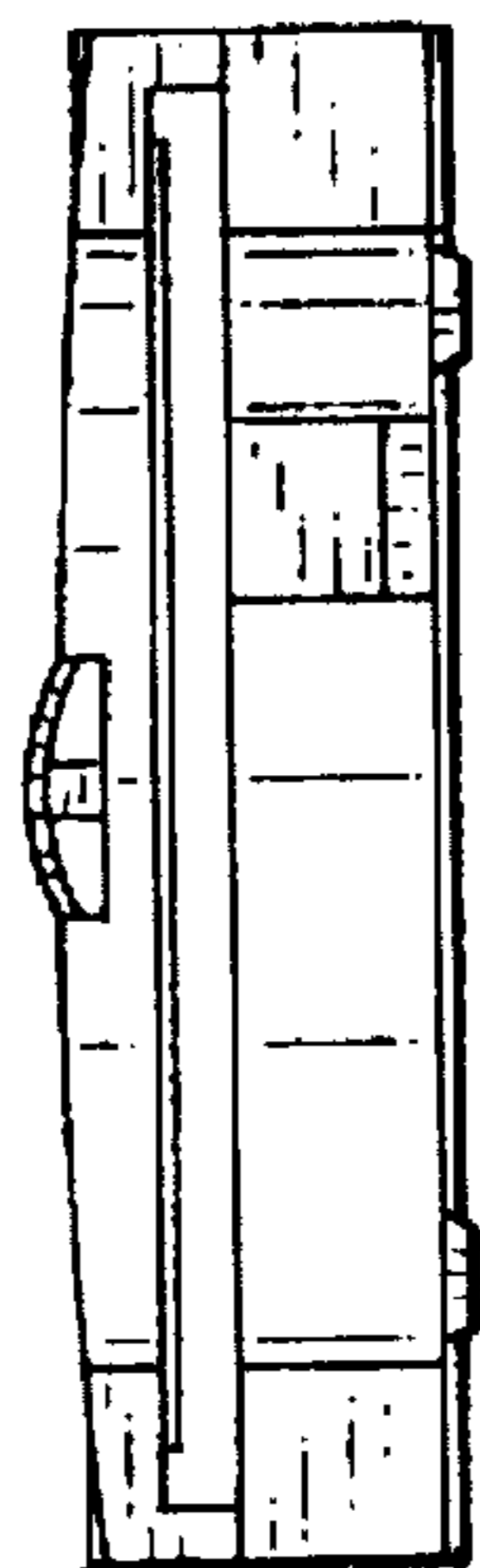


FIG. 7



FIG. 8

