

US00D389848S

United States Patent [19]
James

[11] **Patent Number: Des. 389,848**
[45] **Date of Patent: **Jan. 27, 1998**

[54] **VEHICULAR SHAPED CAMERA**

D. 373,334 9/1996 Honda et al. D12/92
4,811,039 3/1989 Maeno et al. 396/535

[76] **Inventor: Robert S. James, 207 Norton St.,
Yaupon Beach, N.C. 28465**

Primary Examiner—Philip S. Hyder
Assistant Examiner—Adir Aronovich
Attorney, Agent, or Firm—Michael A. Mann, P.A.

[**] **Term: 14 Years**

[57] **CLAIM**

[21] **Appl. No.: 57,474**

The ornamental design for a vehicular shaped camera, as shown and described.

[22] **Filed: Jul. 25, 1996**

[51] **LOC (6) Cl. 16-01**

DESCRIPTION

[52] **U.S. Cl. D16/201; D12/86**

FIG. 1 is a perspective view of a vehicular shaped camera showing my new design;
FIG. 2 is a front view thereof;
FIG. 3 is a top view thereof;
FIG. 4 is a rear view thereof;
FIG. 5 is a bottom view thereof;
FIG. 6 is left side view thereof; and,
FIG. 7 is a right side view thereof.

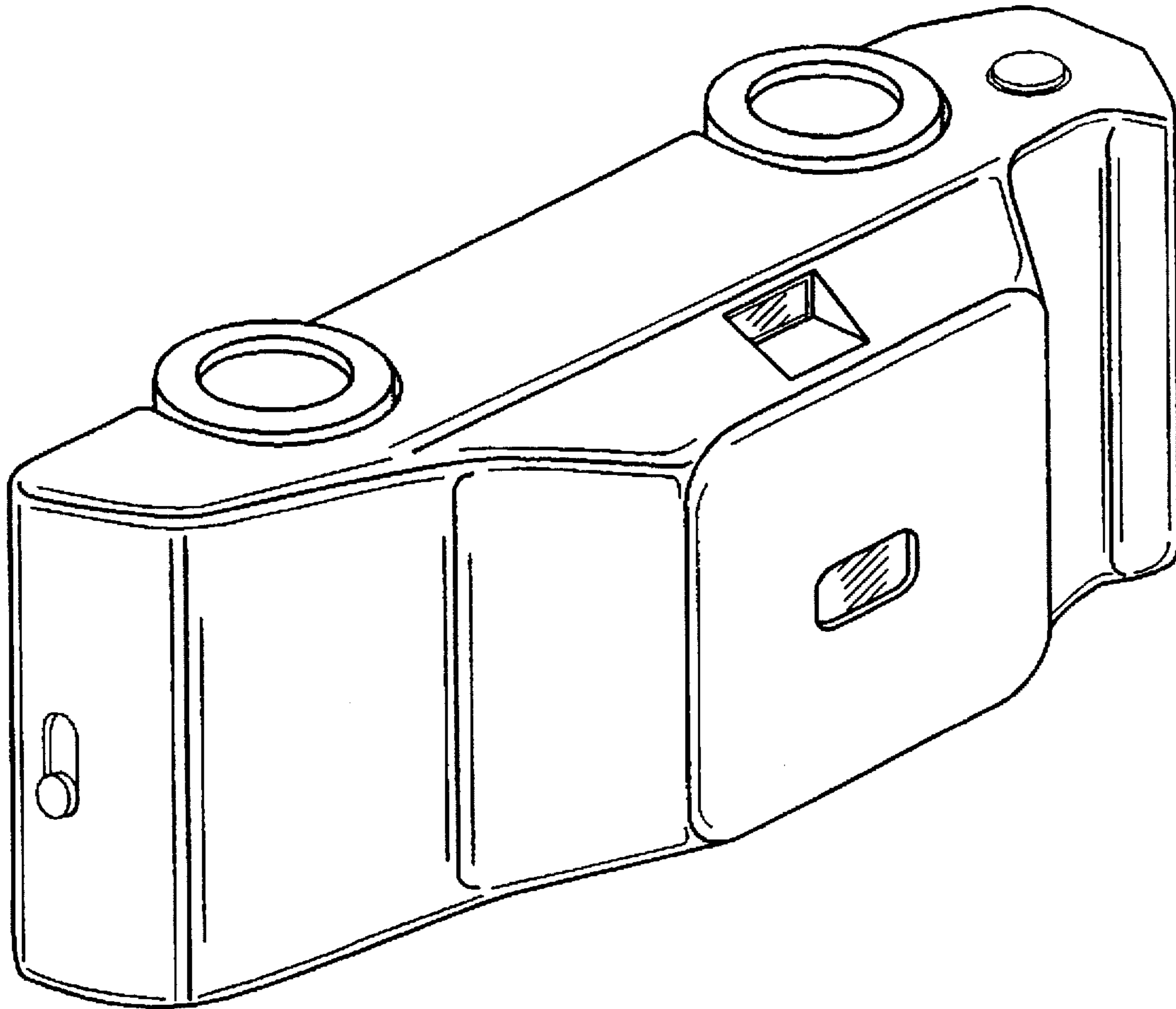
[58] **Field of Search D16/200-205;
D12/92, 86; 396/25, 535-543**

[56] **References Cited**

U.S. PATENT DOCUMENTS

D. 320,610 10/1991 Chan D16/209
D. 351,178 10/1994 Pijlman D16/201
D. 367,283 2/1996 Lyon et al. D16/200

1 Claim, 2 Drawing Sheets



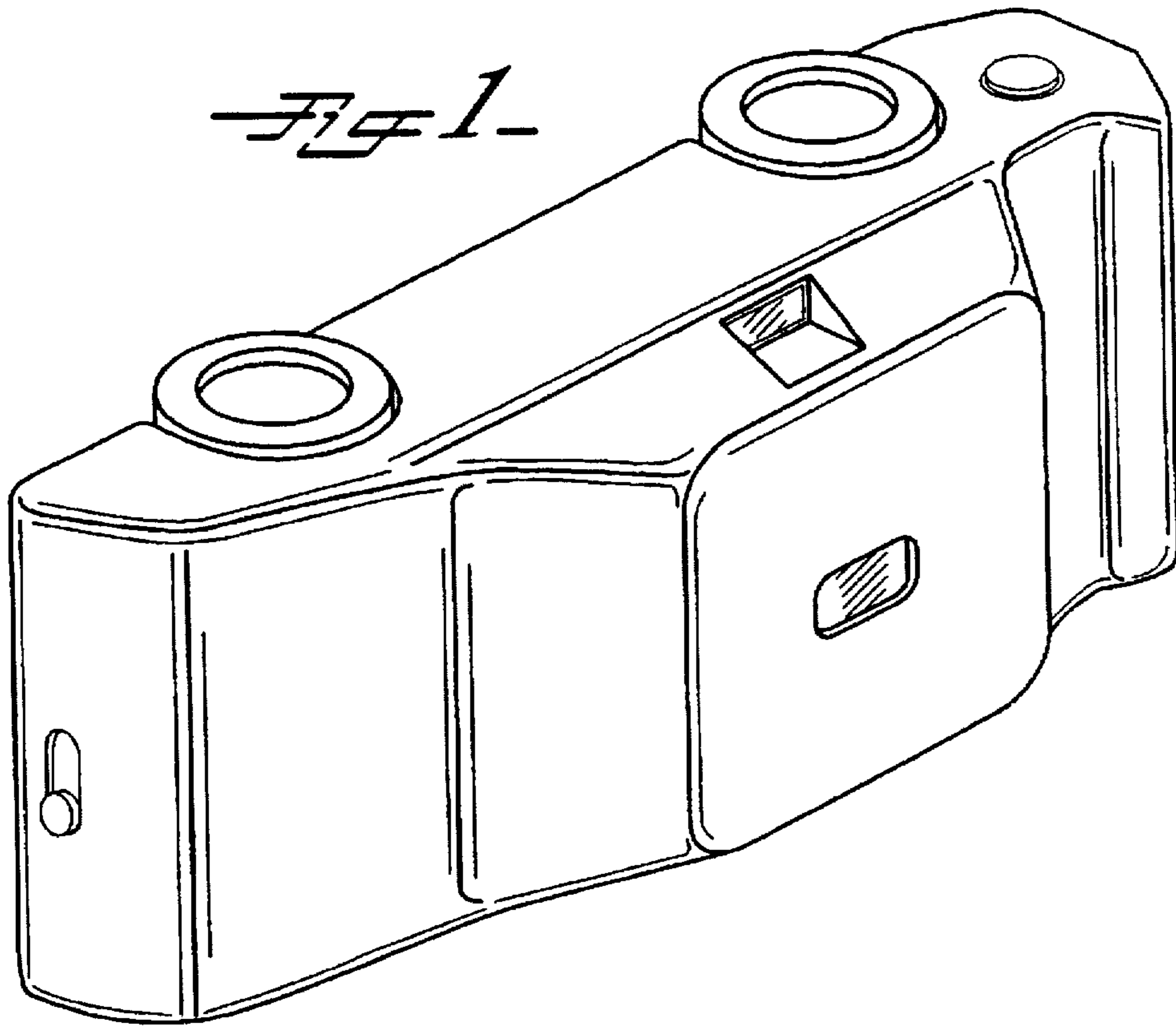


Fig 6.

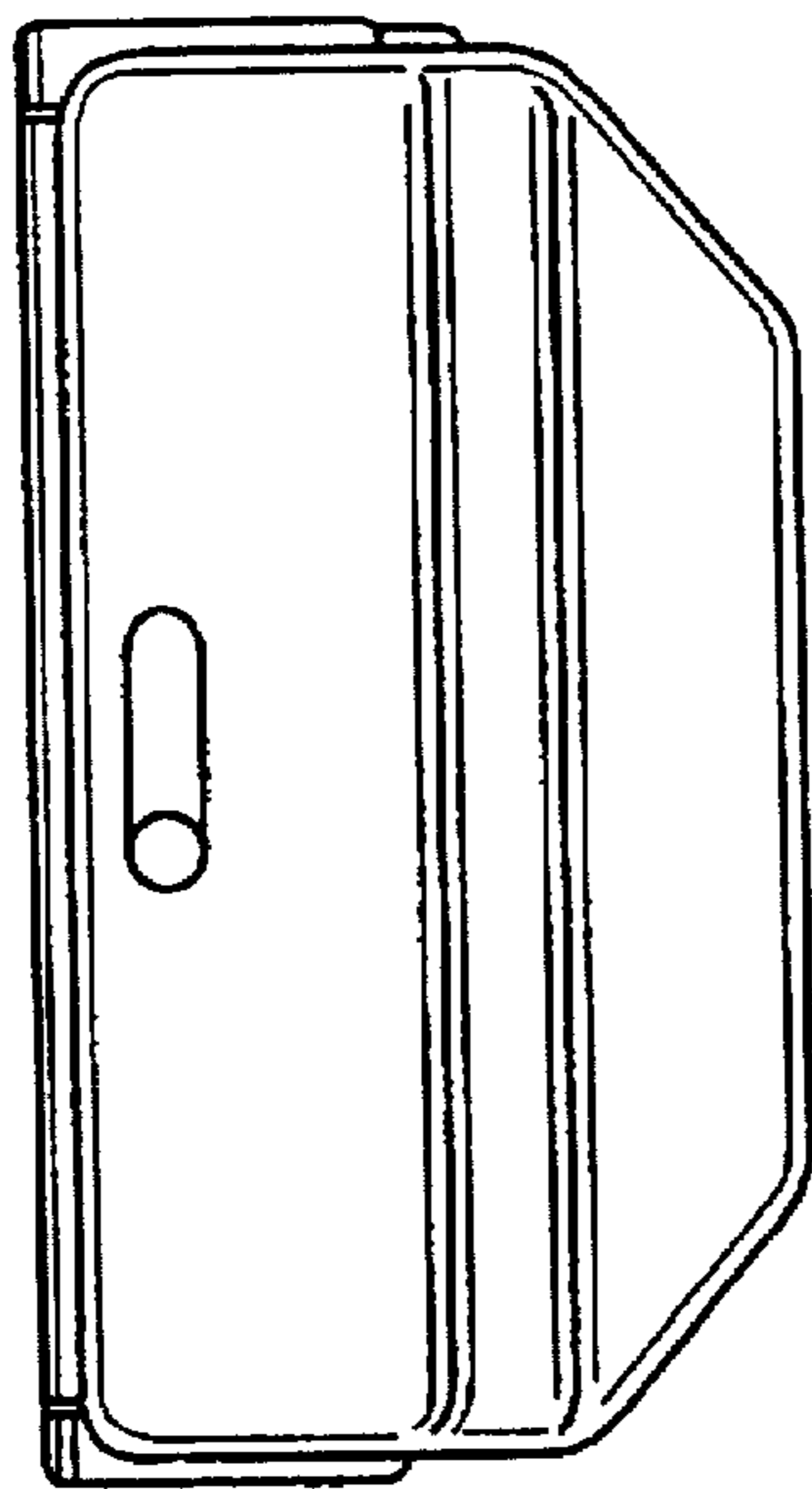


Fig 7.

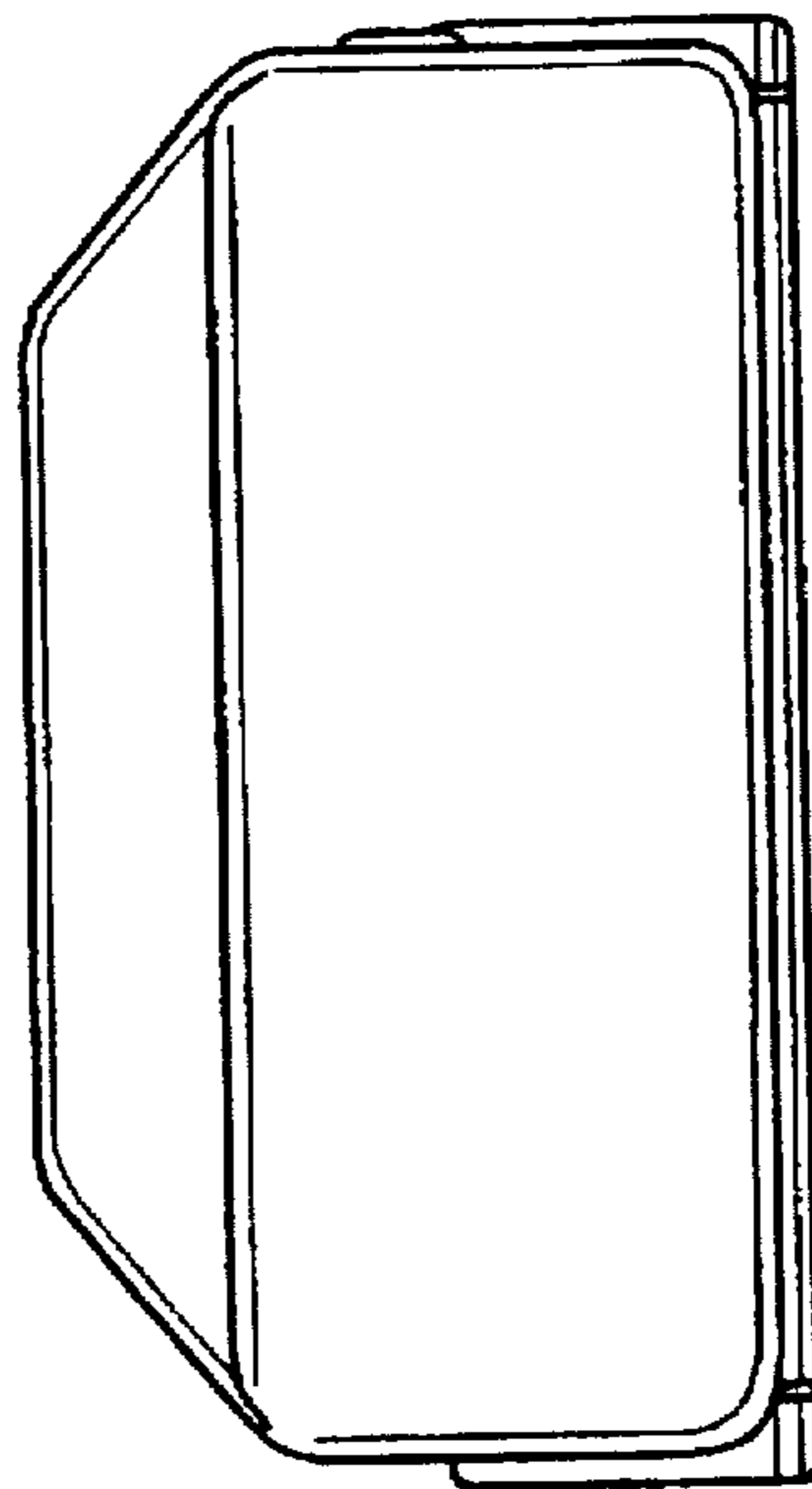


Fig 2-

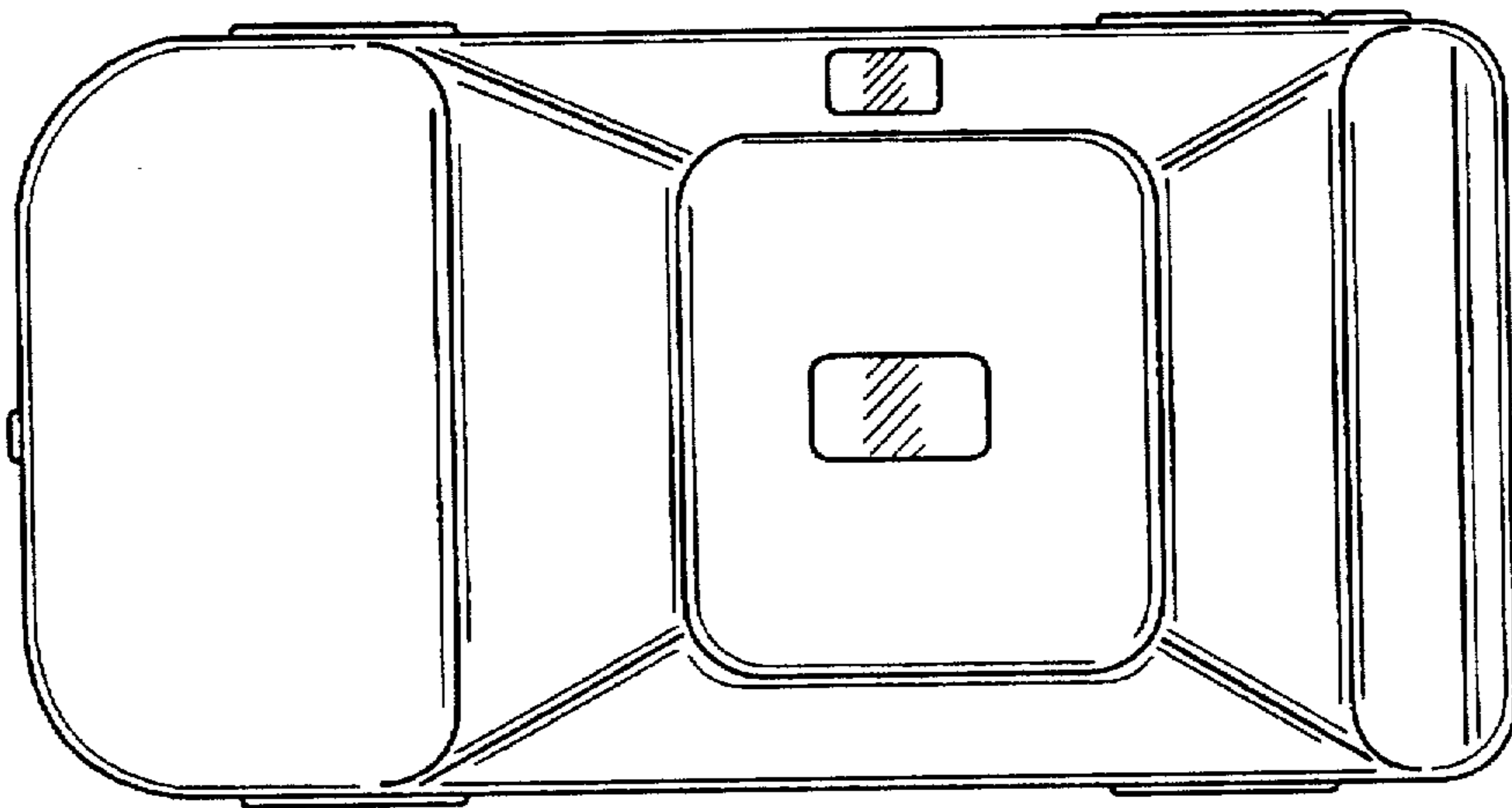


Fig 3-

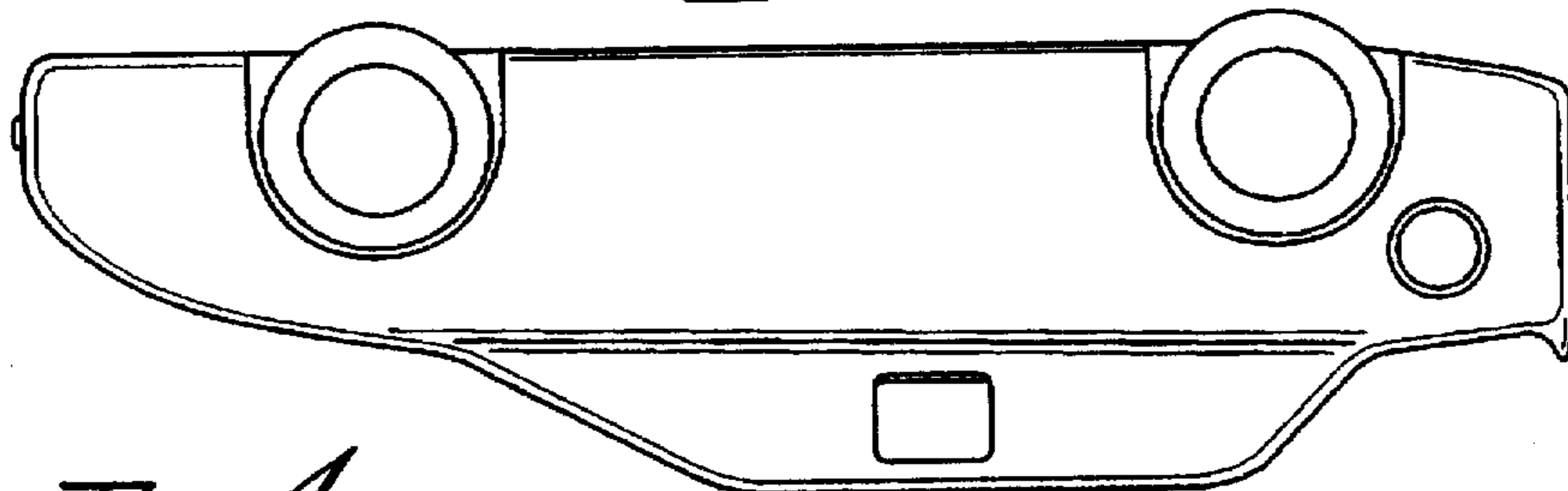


Fig 4-

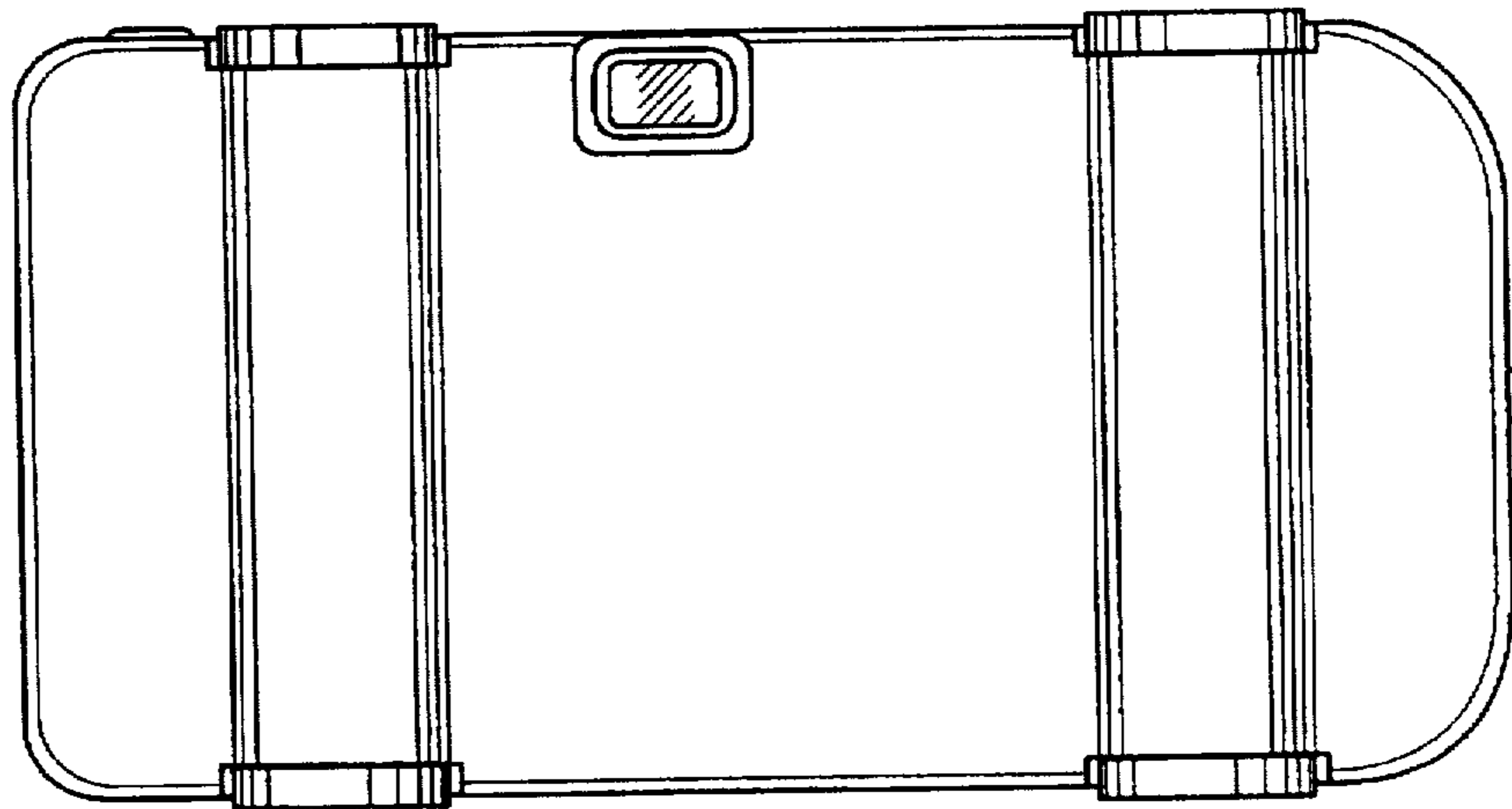


Fig 5-

