



US00D389847S

United States Patent [19]
Huang

[11] **Patent Number:** **Des. 389,847**
[45] **Date of Patent:** ****Jan. 27, 1998**

[54] **SEALING MACHINE**

2,509,439 5/1950 Langer 156/498
3,597,587 8/1971 Baun 219/243
4,045,272 8/1977 Lombardi 156/359

[76] **Inventor:** **Mao-Sen Huang**, No. 242-2, Tung Lan St., Tung Shih Jenn, Taichung Hsien, Taiwan

Primary Examiner—Martie Thompson
Attorney, Agent, or Firm—Bacon & Thomas

[**] **Term:** **14 Years**

[57] **CLAIM**

[21] **Appl. No.:** **41,788**

The ornamental design for a sealing machine, as shown and described.

[22] **Filed:** **Jul. 24, 1995**

DESCRIPTION

[51] **LOC (6) Cl.** **15-99**

[52] **U.S. Cl.** **D15/146**

[58] **Field of Search** D19/66, 72, 99, D19/100; D15/145, 146; 53/373.2, 374.2, 374.8, 374.9, 510, 511, 512, DIG. 2; 156/583.8, 583.9, 366, 498, 359, 274.2; 219/243

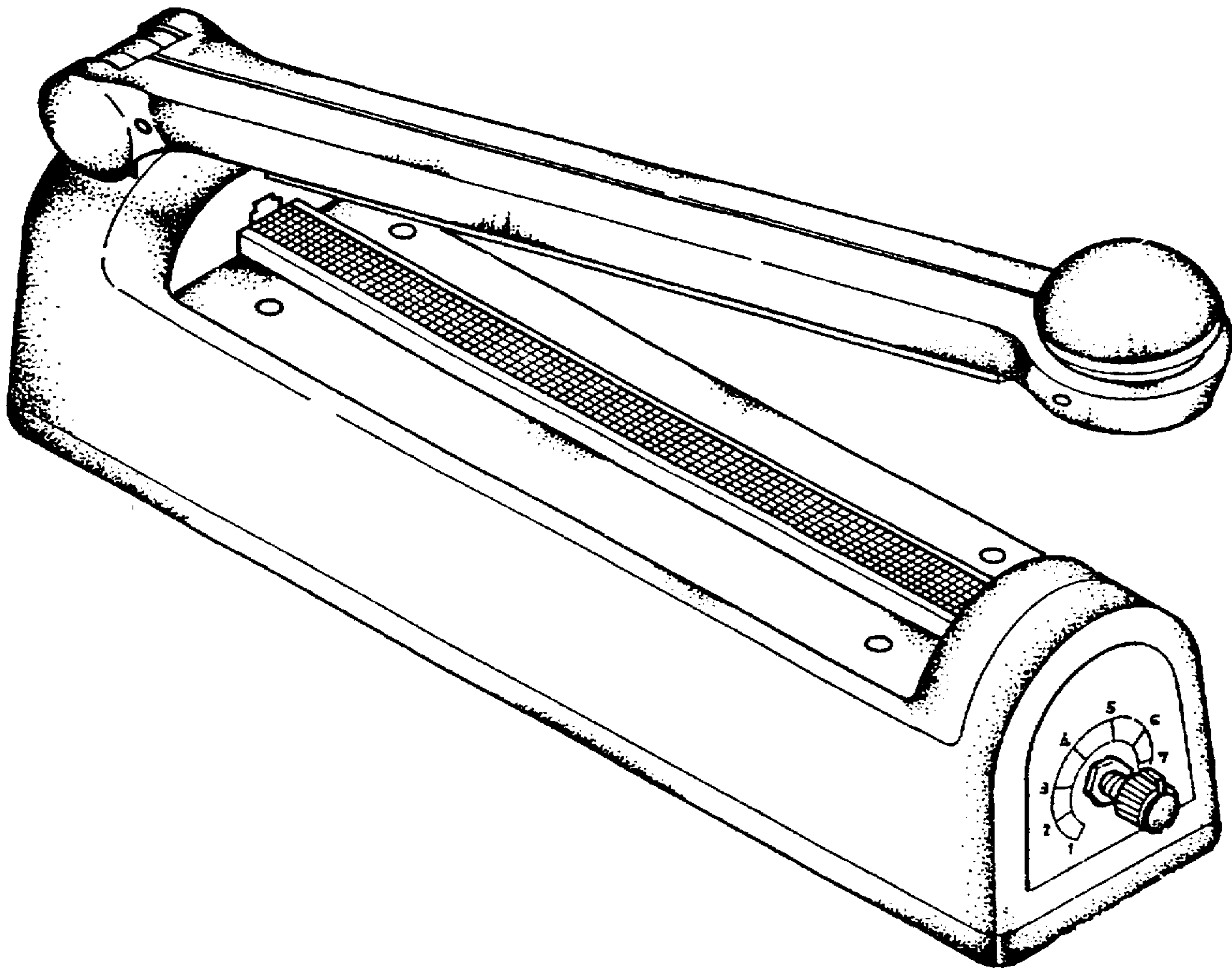
FIG. 1 is a left front perspective view of a sealing machine showing my new design;
FIG. 2 is a front elevational view thereof;
FIG. 3 is a rear elevational view thereof;
FIG. 4 is a left side elevational view thereof;
FIG. 5 is a right side elevational view thereof;
FIG. 6 is a top plan view thereof; and
FIG. 7 is a bottom plan view thereof.

[56] **References Cited**

U.S. PATENT DOCUMENTS

D. 338,215 8/1993 Maruyame D15/146
D. 341,845 11/1993 Caruso et al. D15/146

1 Claim, 6 Drawing Sheets



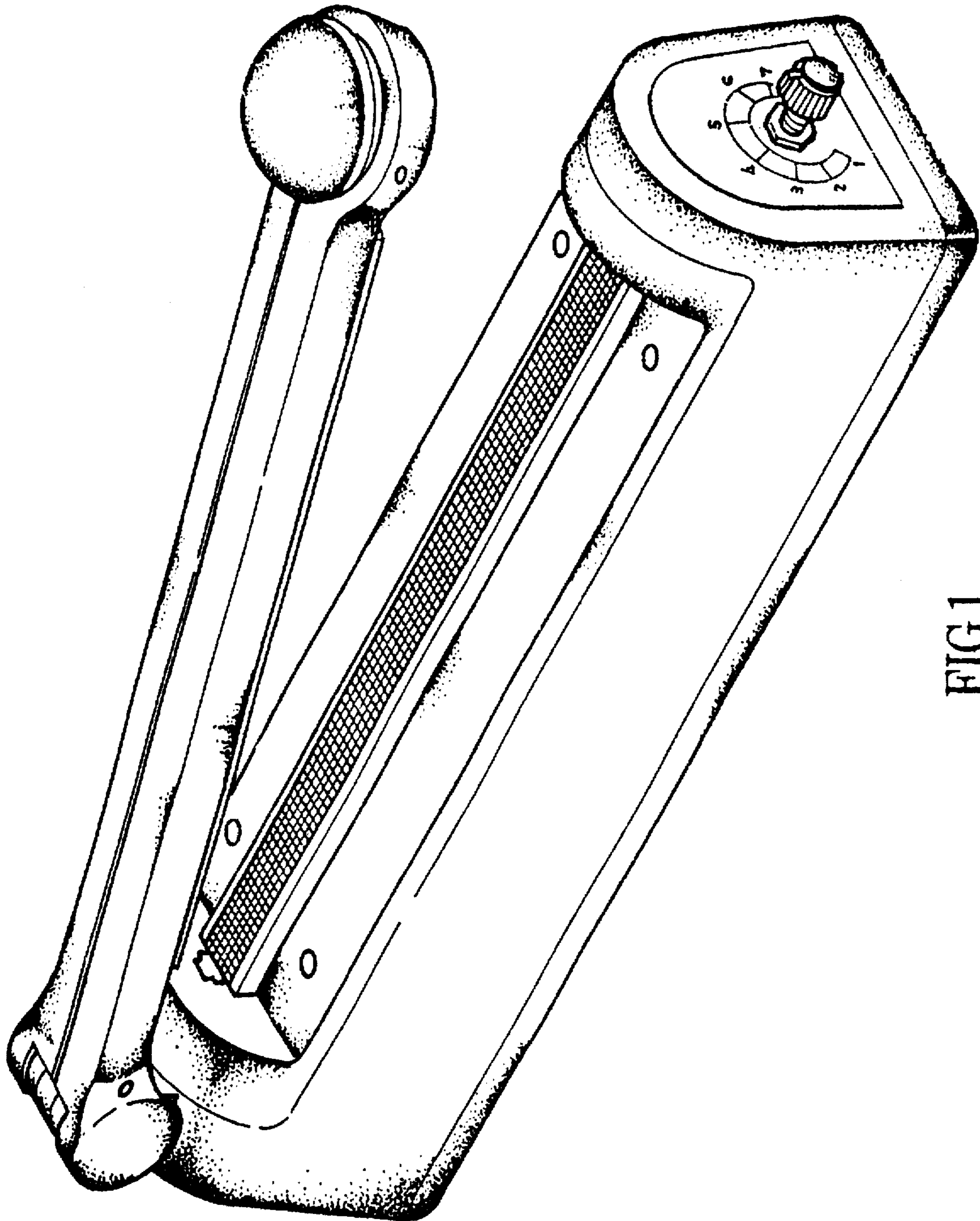


FIG.1

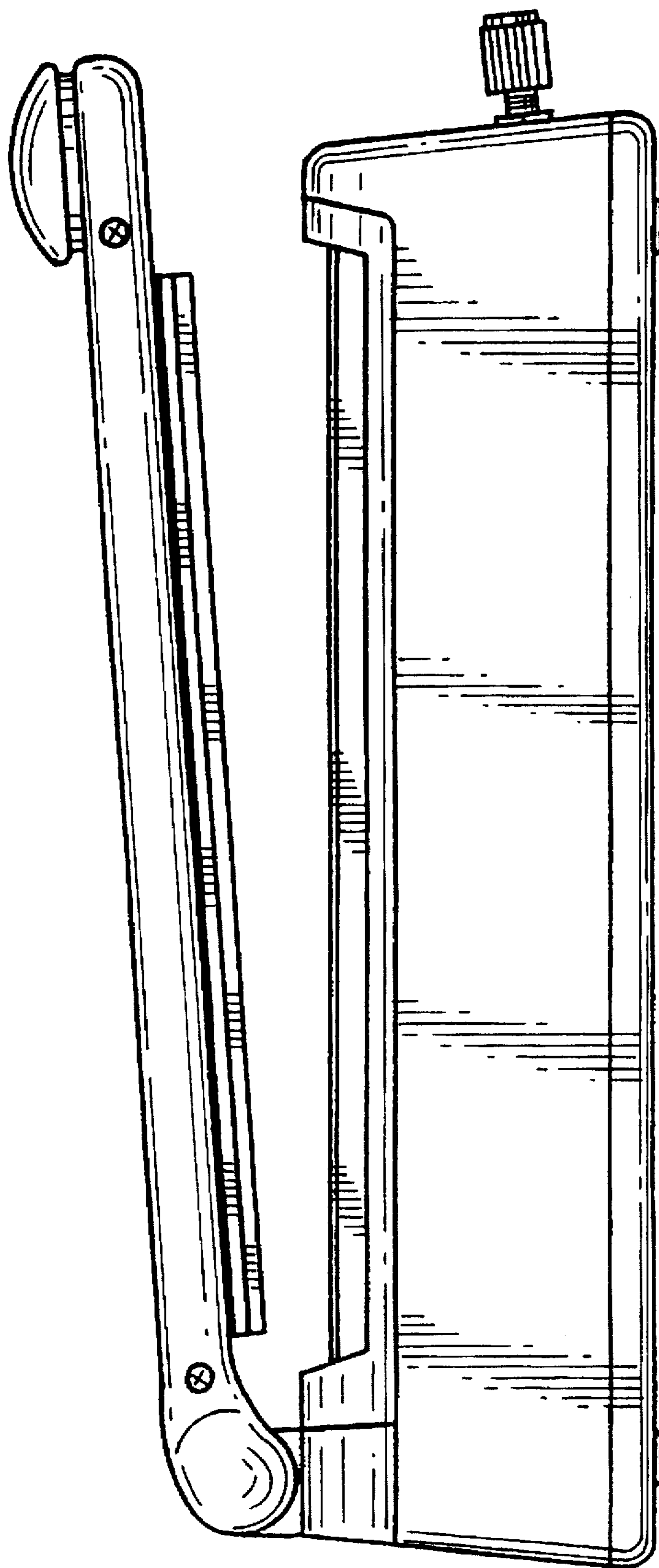


FIG. 2

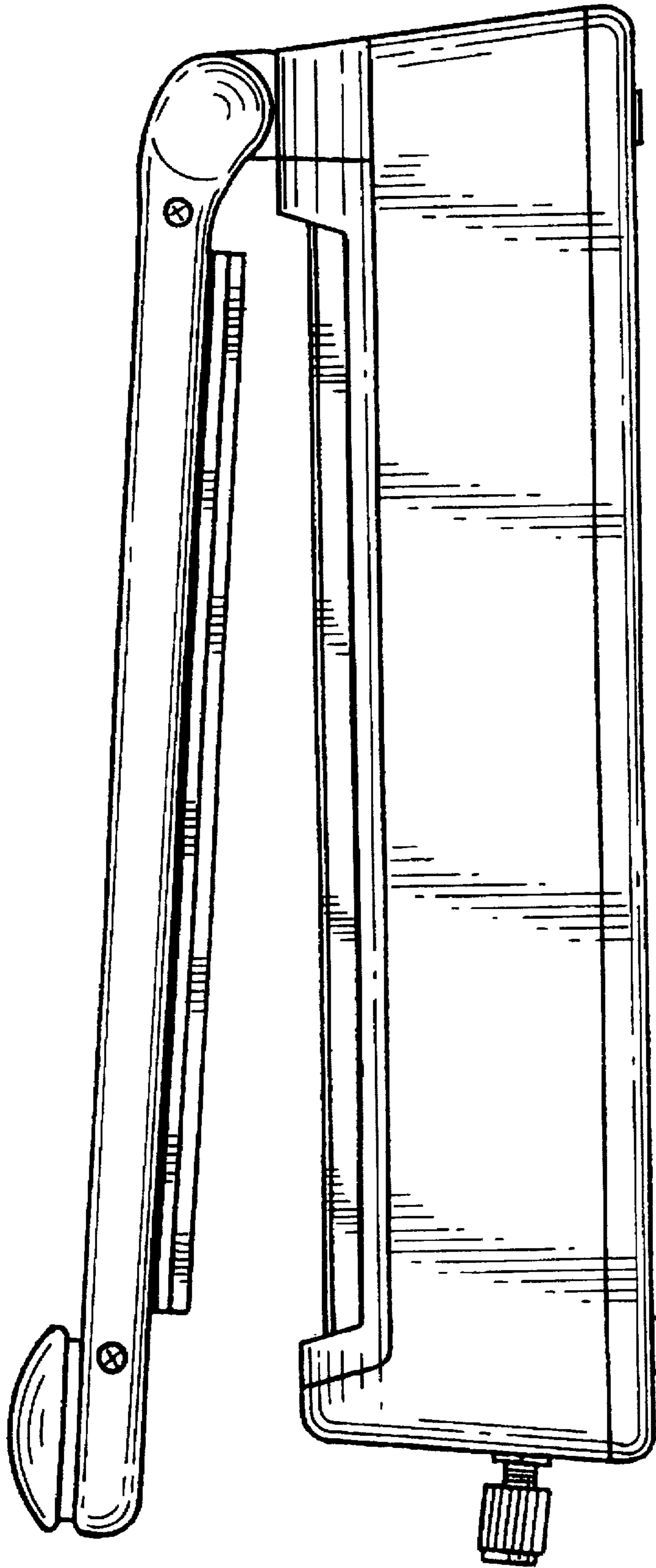


FIG. 3

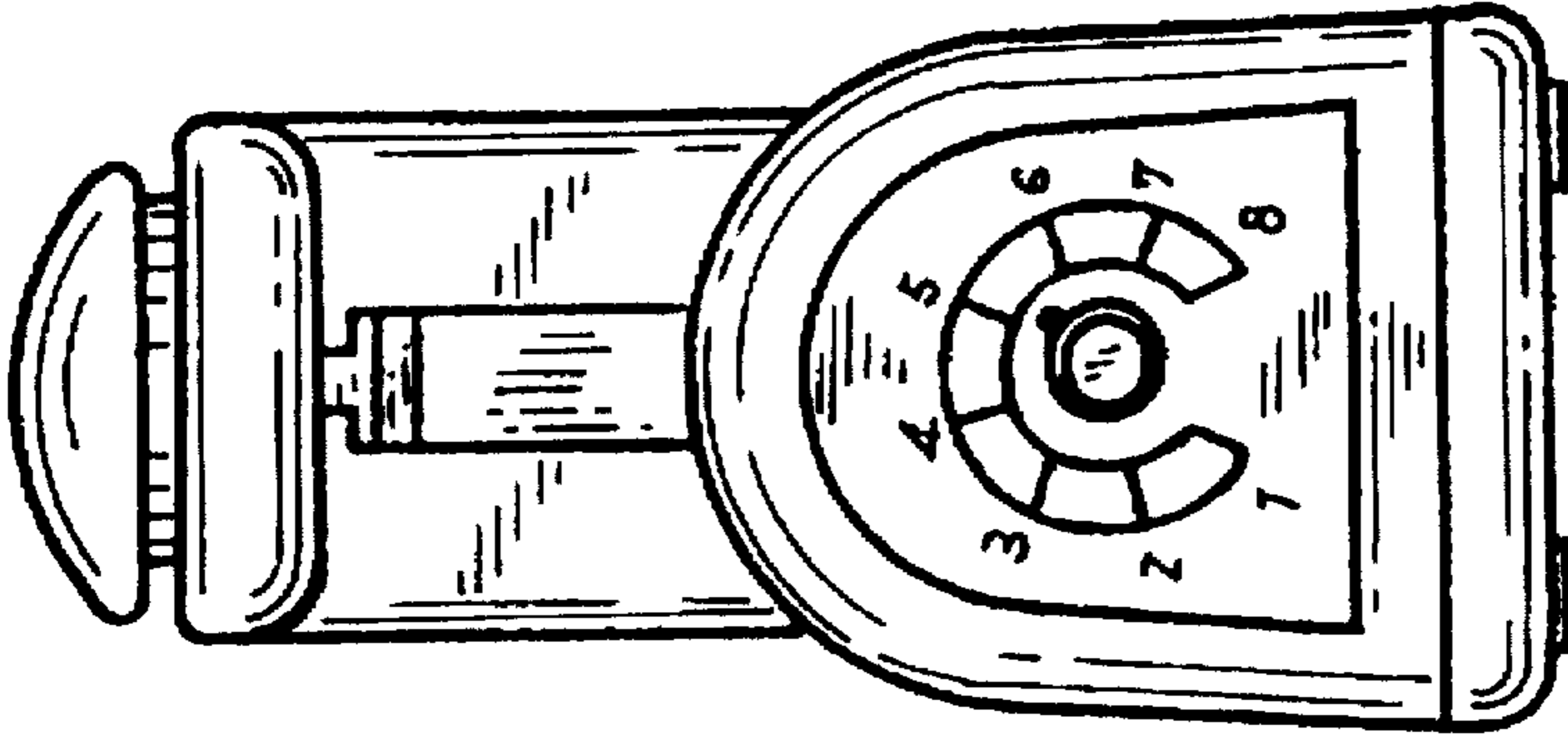


FIG. 4

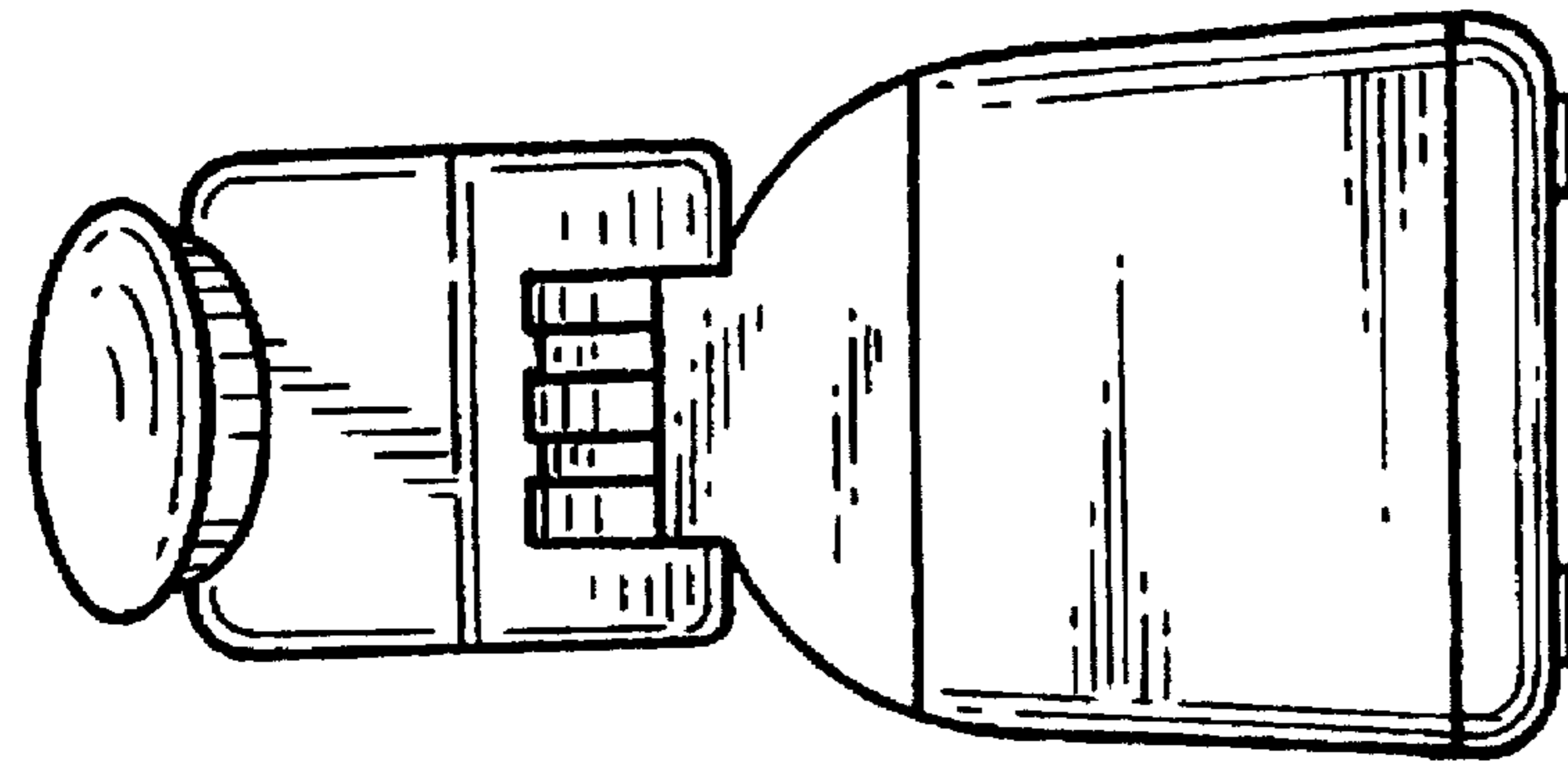


FIG. 5

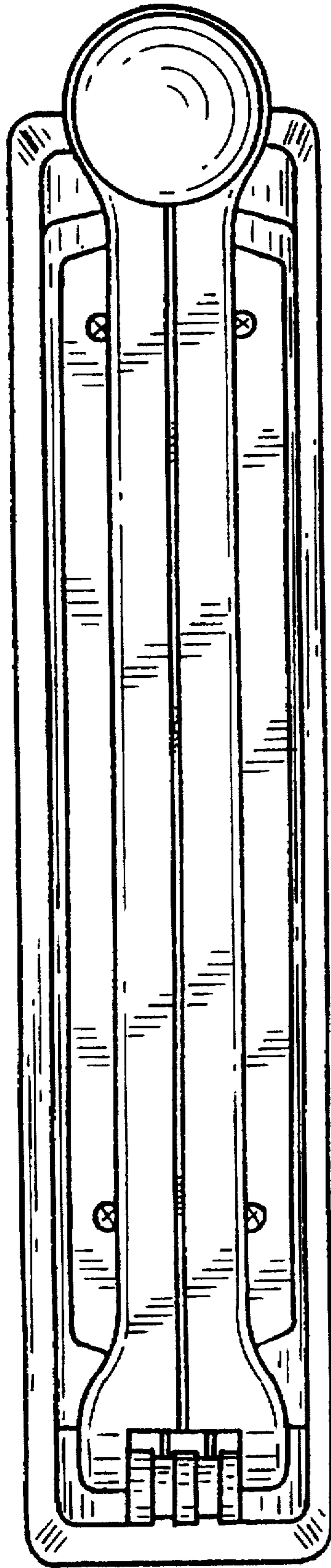


FIG. 6

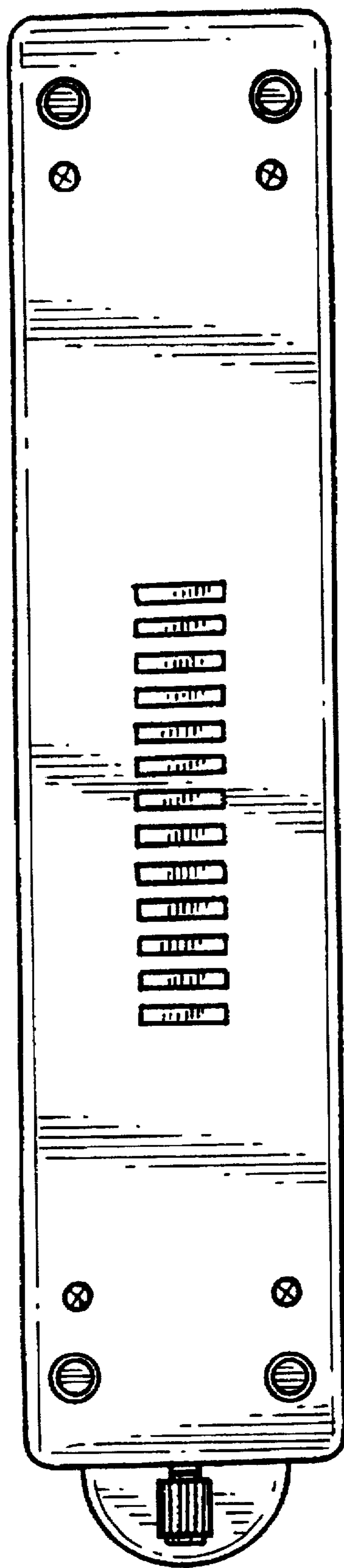


FIG. 7