



US00D389846S

United States Patent [19]

Murén et al.

[11] Patent Number: **Des. 389,846**

[45] Date of Patent: ****Jan. 27, 1998**

[54] **CUTTING INSERT**

D. 359,057 6/1995 Niebauer D15/139
5,147,159 9/1992 Lowe et al. 407/114

[75] Inventors: **Sture Murén, Gävle; Jörgen Wiman, Sandviken, both of Sweden**

Primary Examiner—Antoine Duval Davis
Attorney, Agent, or Firm—Burns, Doane, Swecker & Mathis, L.L.P.

[73] Assignee: **Sandvik Aktiebolag, Sandviken, Sweden**

[**] Term: **14 Years**

[57] **CLAIM**

The ornamental design for a cutting insert, as shown and described.

[21] Appl. No.: **60,381**

[22] Filed: **Sep. 27, 1996**

DESCRIPTION

[30] **Foreign Application Priority Data**

Mar. 28, 1996 [SE] Sweden 96-0714

FIG. 1 is a front, top perspective view of the cutting insert showing our new design;

[51] LOC (6) Cl. **15-09**

FIG. 2 is a top plan view thereof, the bottom plan view being identical;

[52] U.S. Cl. **D15/139**

FIG. 3 is a front elevational view thereof, the back elevational view being identical; and,

[58] Field of Search D15/139; 407/113-119

FIG. 4 is a right side elevational view thereof, the left, rear side elevational view being identical.

[56] **References Cited**

U.S. PATENT DOCUMENTS

D. 357,692 4/1995 Ishikawa et al. D15/139

1 Claim, 1 Drawing Sheet

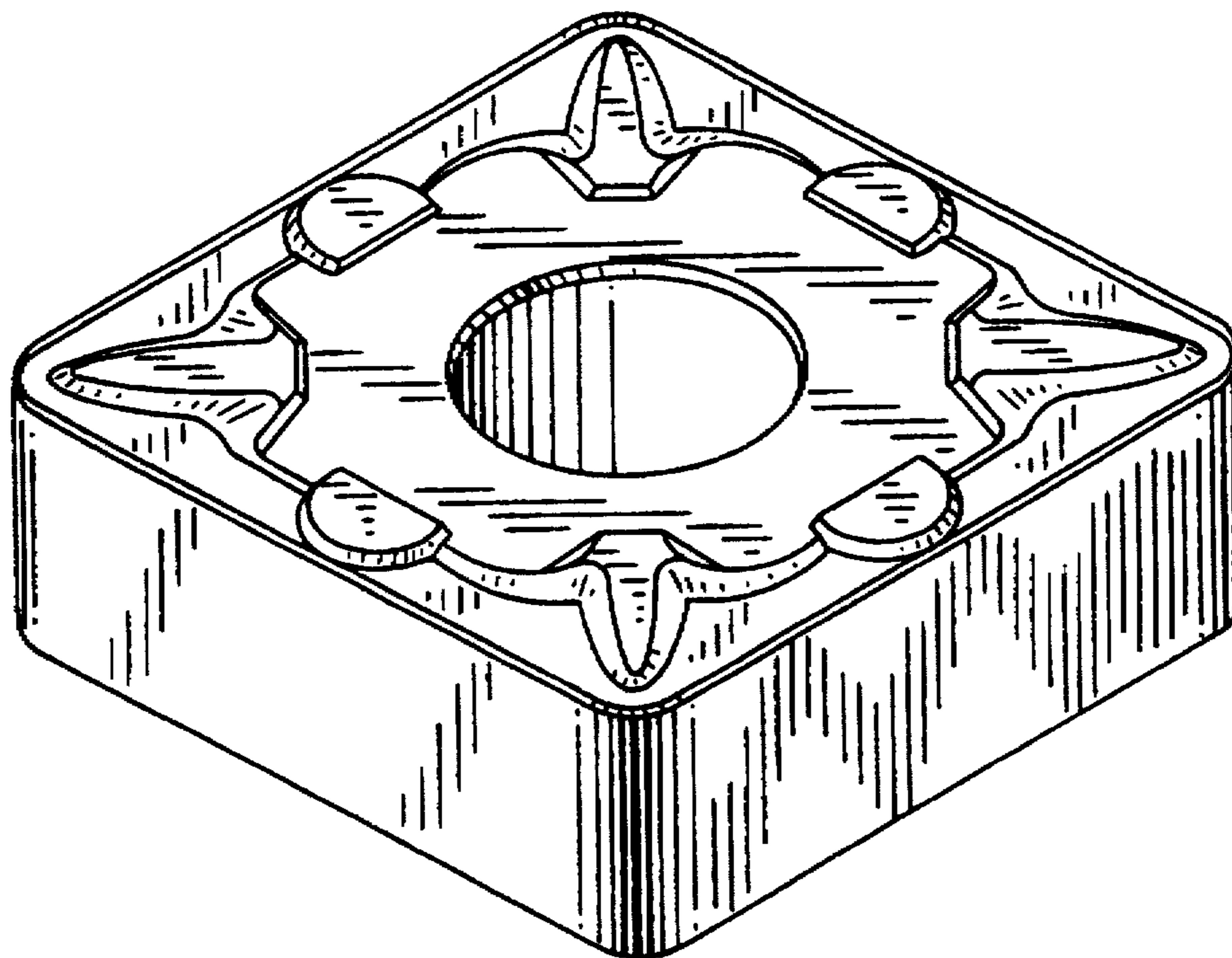


FIG. 1

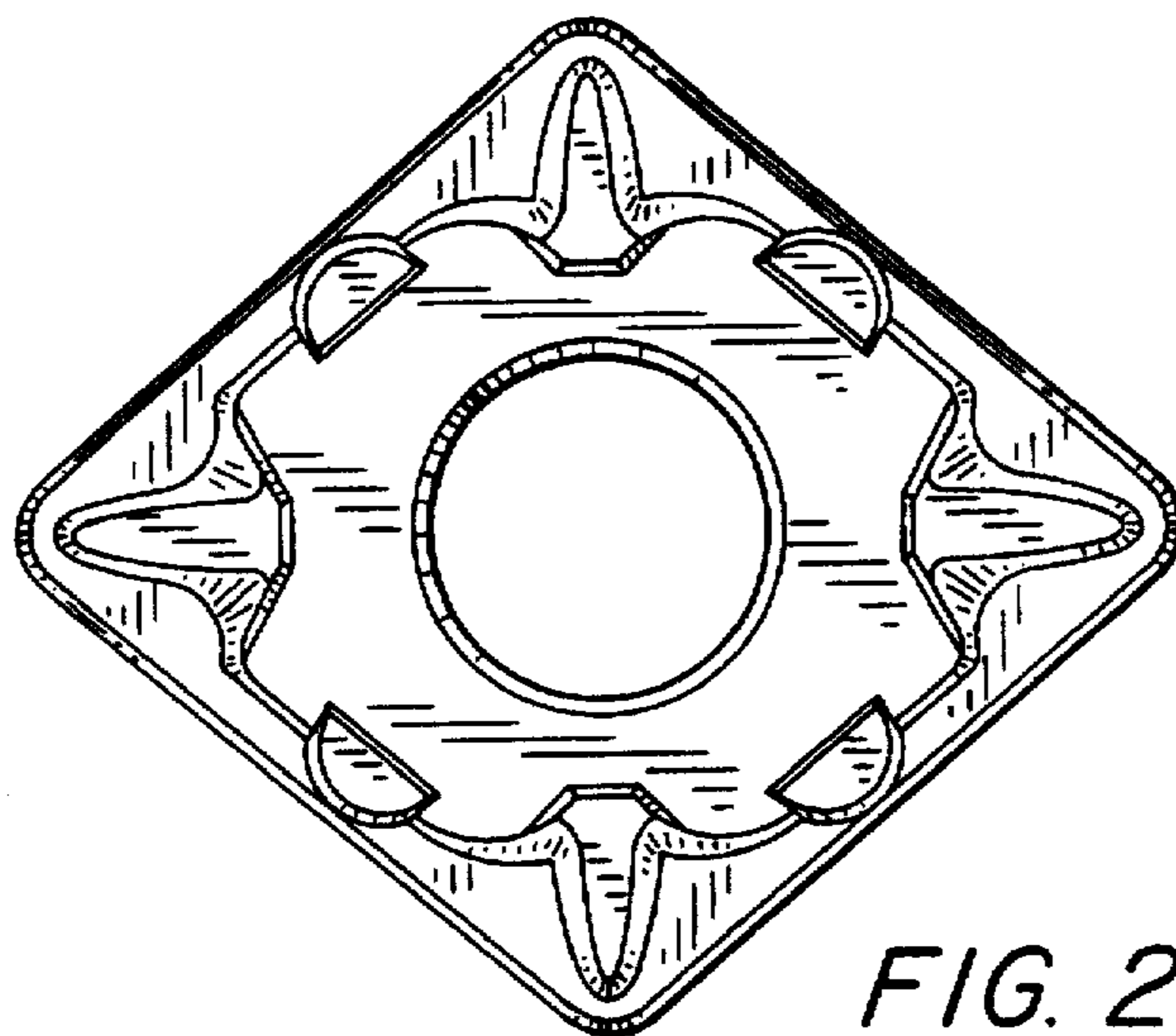
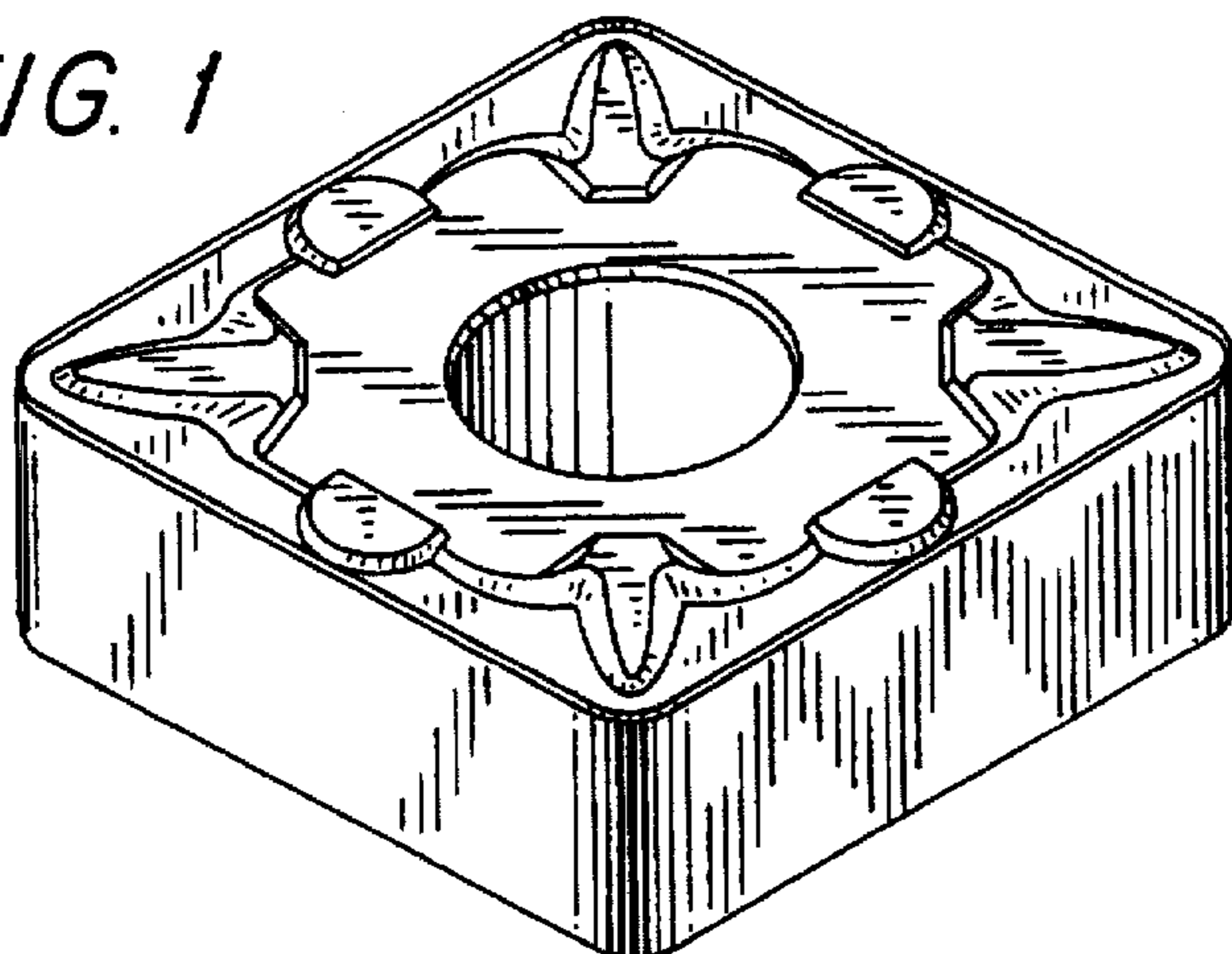


FIG. 2

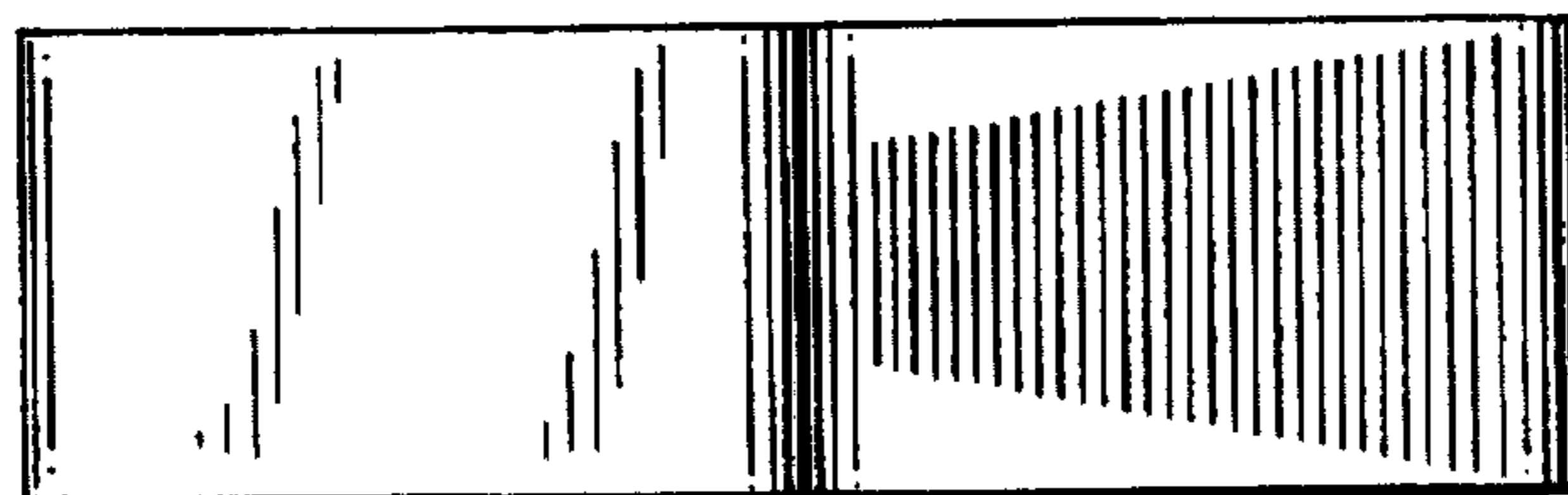


FIG. 3

FIG. 4

