



US00D389845S

United States Patent [19]

Nakamura et al.

[11] Patent Number: **Des. 389,845**

[45] Date of Patent: ****Jan. 27, 1998**

[54] **MILLING MACHINE**

[75] Inventors: **Masaru Nakamura**, 20-6, Igarashinakajima 4-chome, Niigata-shi, Niigata-ken; **Tamotu Fujino**, Niigata, both of Japan

[73] Assignees: **Masaru Nakamura**, Tokyo; **Toshiba Kikai Kabushiki Kaisha**, Niigata-ken, both of Japan

[**] Term: **14 Years**

[21] Appl. No.: **65,011**

[22] Filed: **Jan. 16, 1997**

[30] **Foreign Application Priority Data**

Jul. 19, 1996 [JP] Japan 8-21949

[51] LOC (6) Cl. **15-09**

[52] U.S. Cl. **D15/131**

[58] Field of Search D15/131; 29/560, 29/568; 408/38; 409/64, 89, 160, 201, 210

[56] **References Cited**

U.S. PATENT DOCUMENTS

D. 277,679 2/1985 Kitamura D15/131 X
D. 338,212 8/1993 Corsi D15/131

Primary Examiner—Antoine Duval Davis
Attorney, Agent, or Firm—Finnegan, Henderson, Farabow, Garrett & Dunner, L.L.P.

[57] **CLAIM**

The ornamental design for a milling machine, as shown and described.

DESCRIPTION

FIG. 1 is a front perspective view of a milling machine embodying our design;

FIG. 2 is a front elevational view thereof;

FIG. 3 is a rear elevational view thereof;

FIG. 4 is a top plan view thereof;

FIG. 5 is a bottom view thereof;

FIG. 6 is a right elevational view thereof; and

FIG. 7 is a left elevational view thereof.

1 Claim, 7 Drawing Sheets

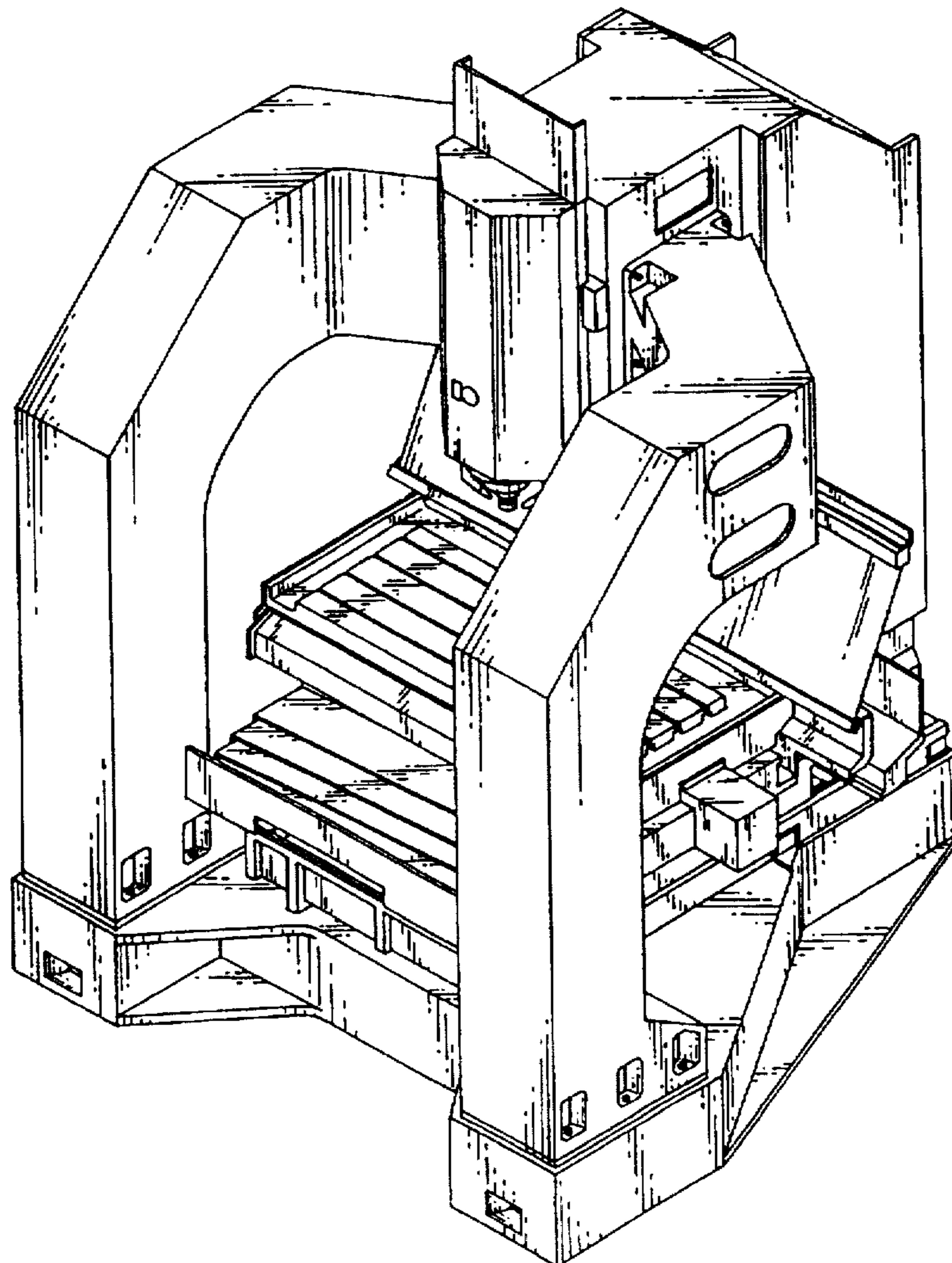


FIG. 1

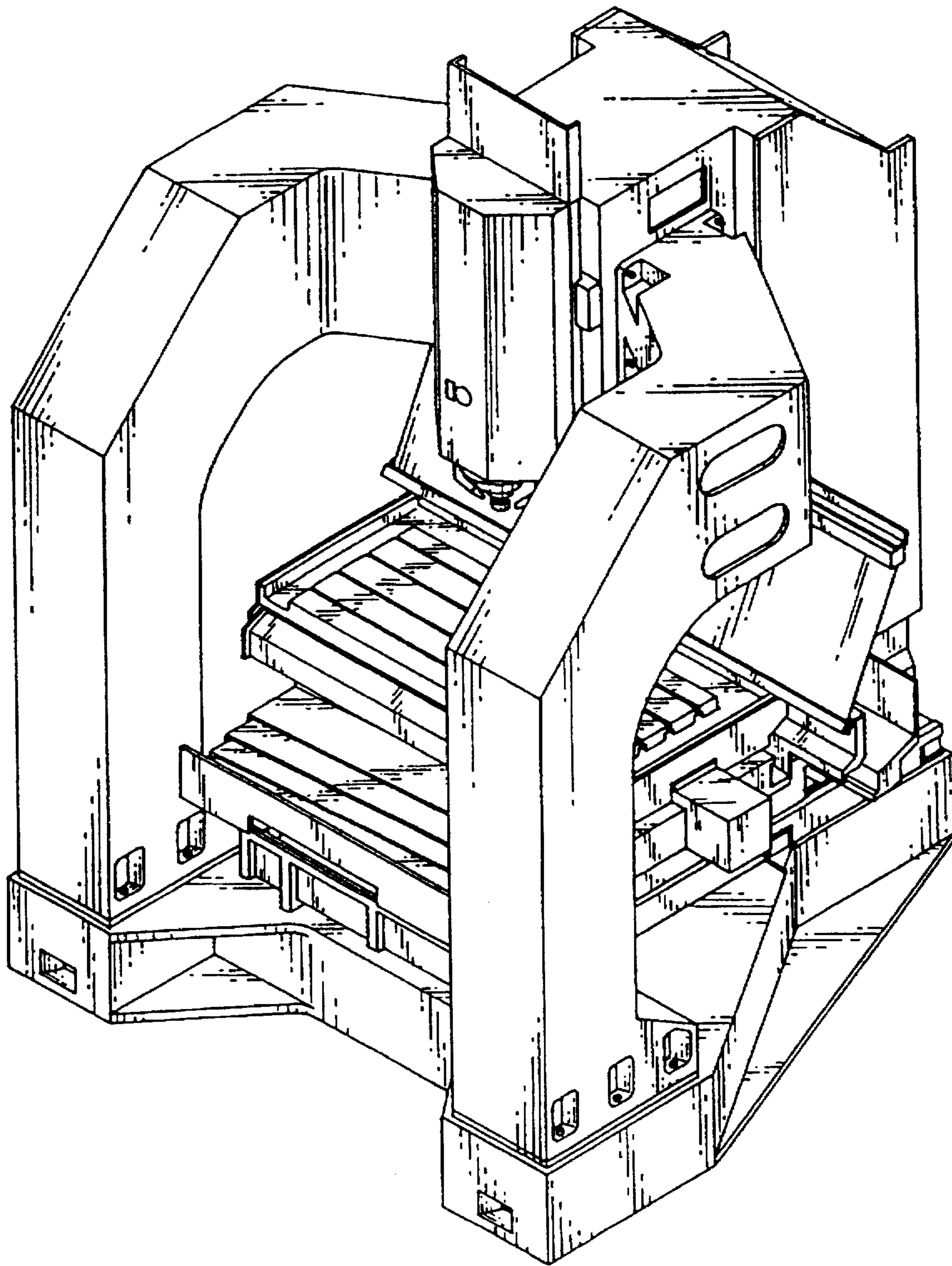


FIG. 3

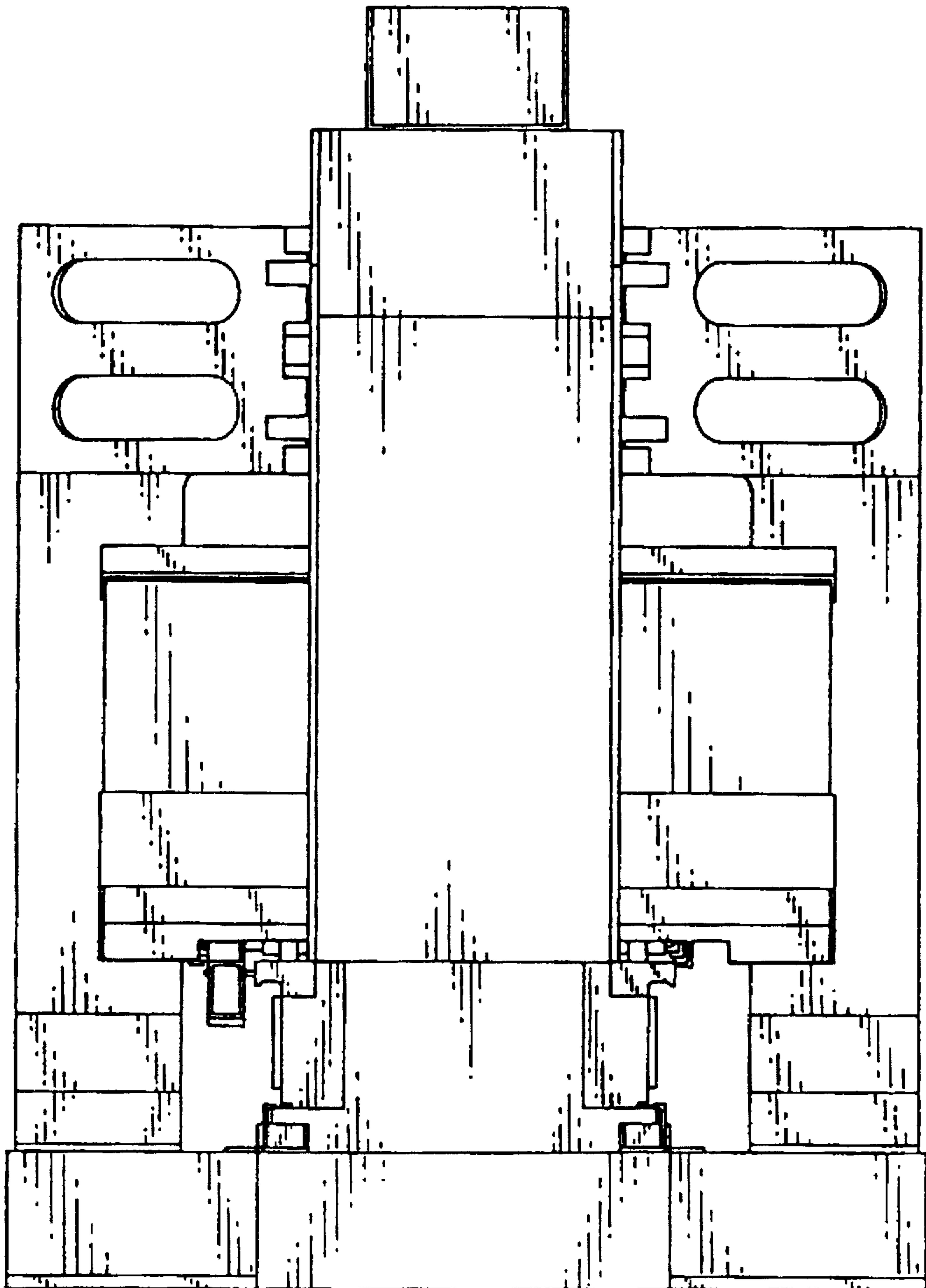


FIG. 4

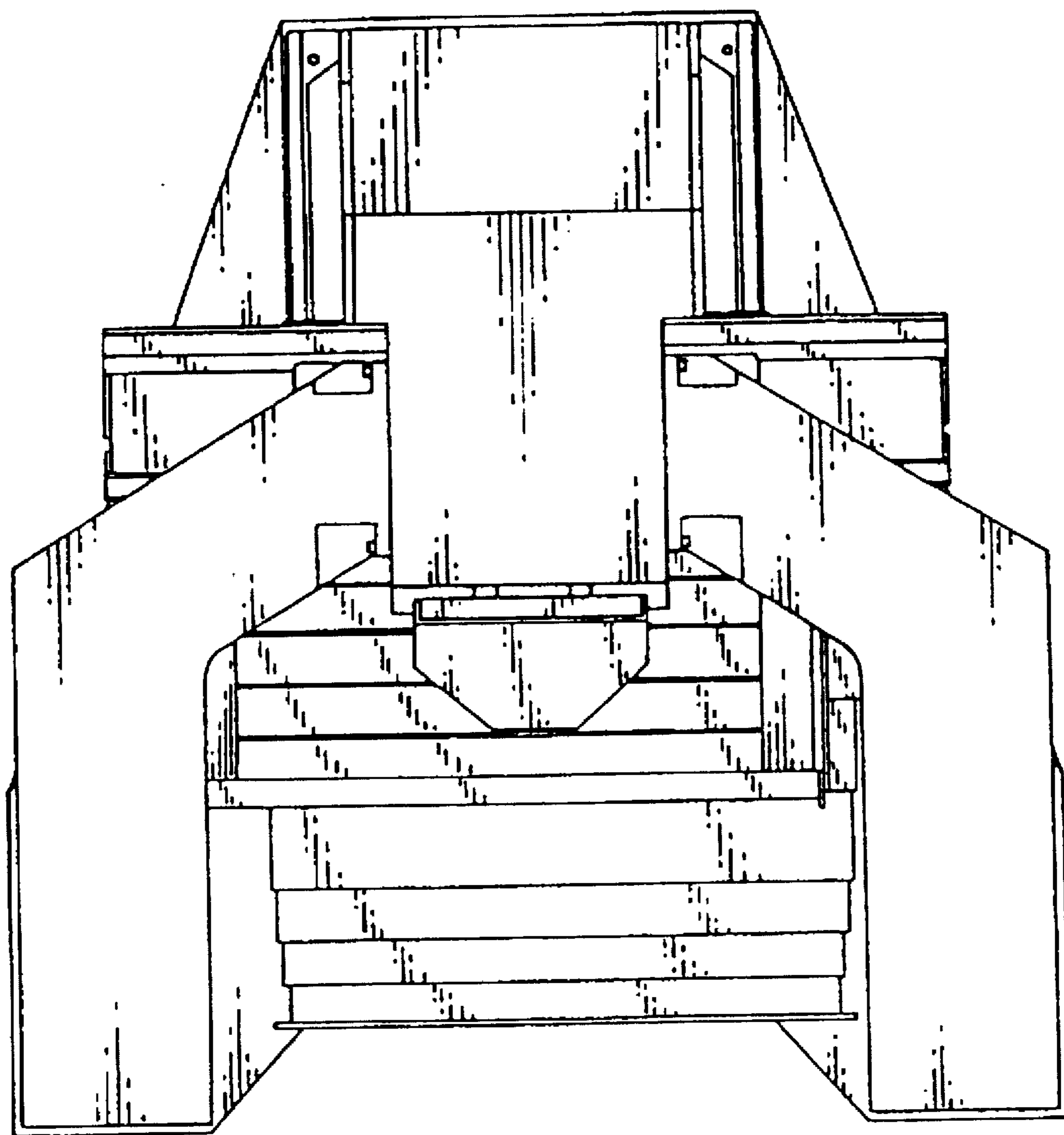


FIG. 5

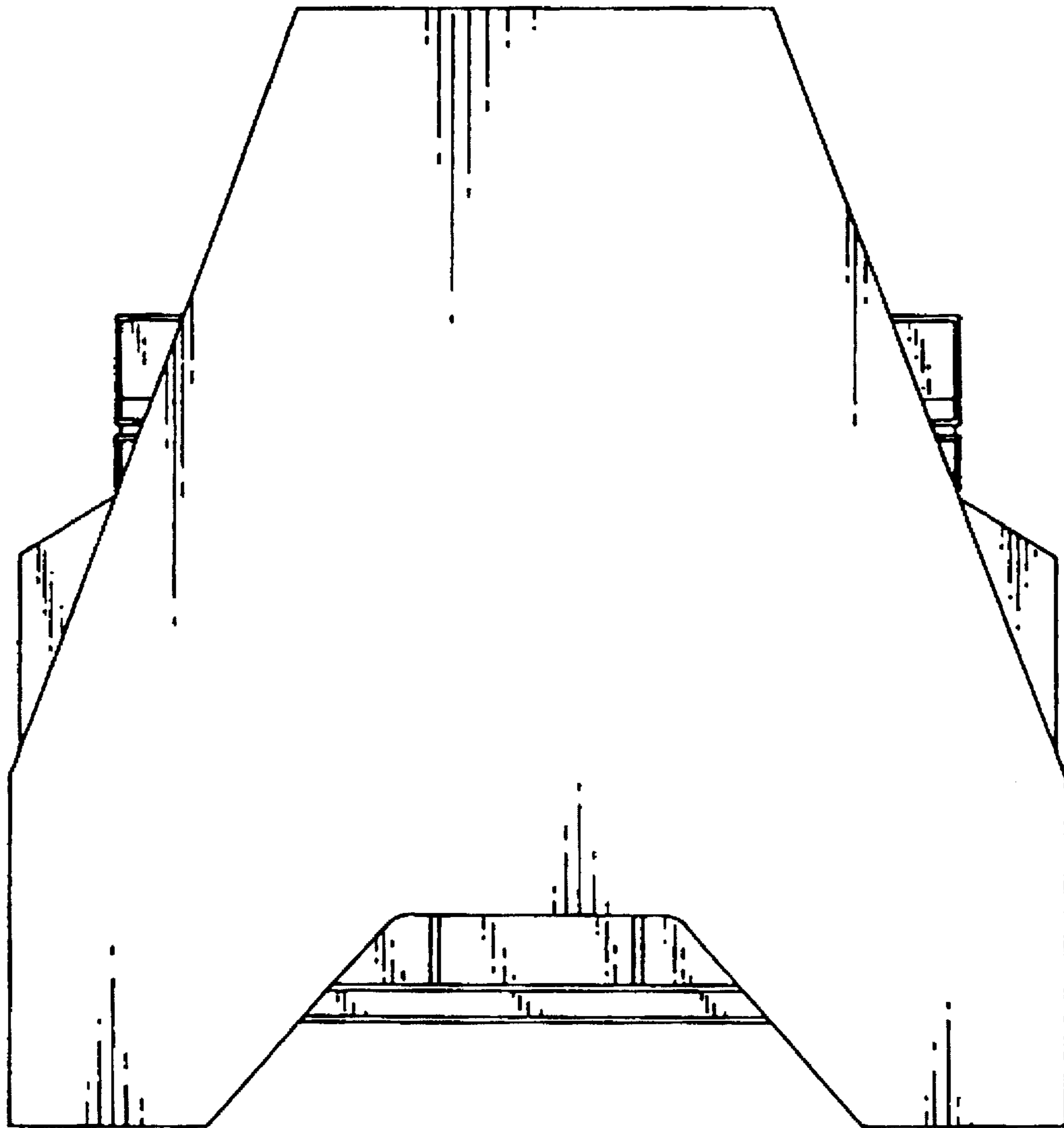


FIG. 6

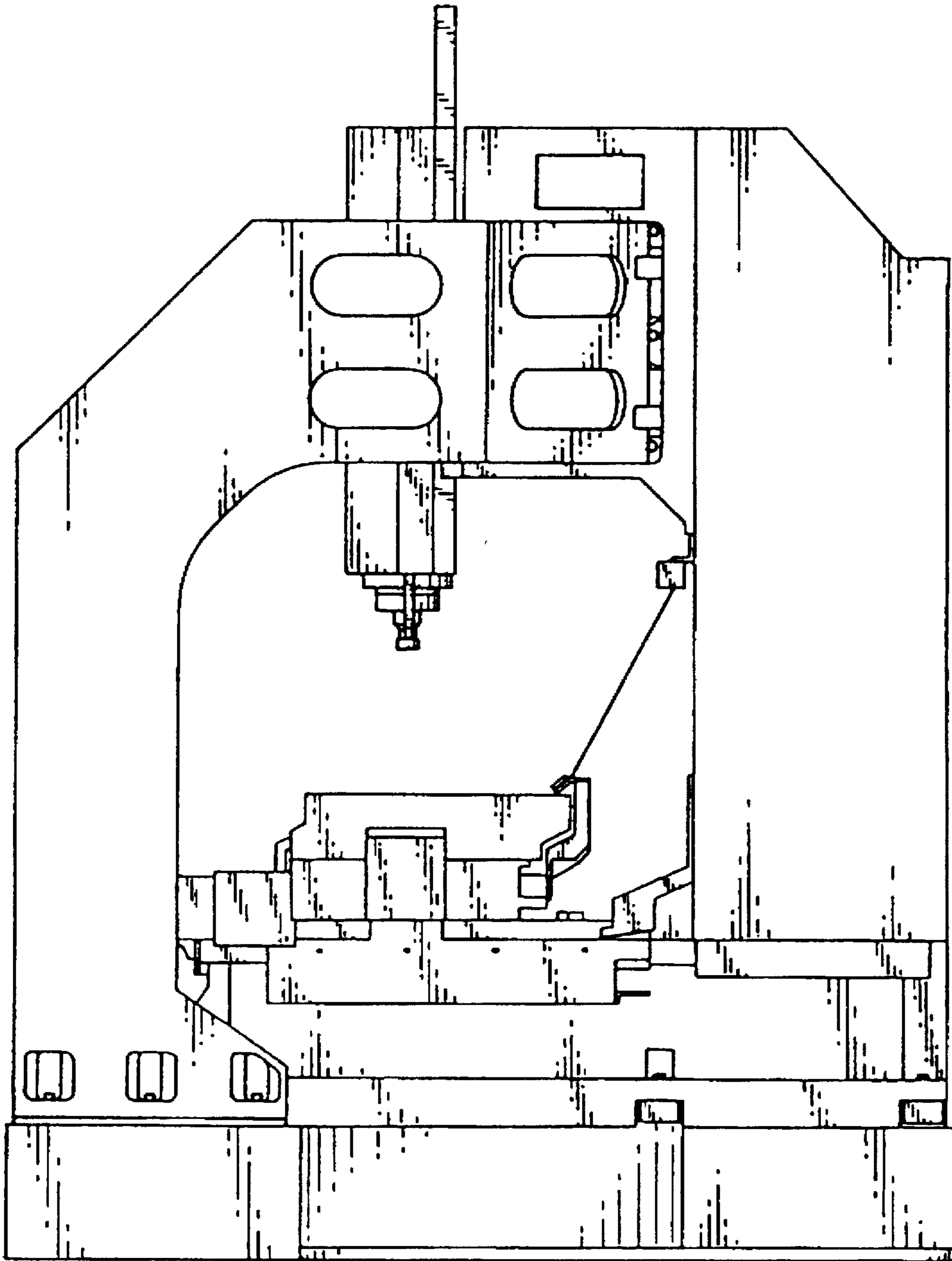
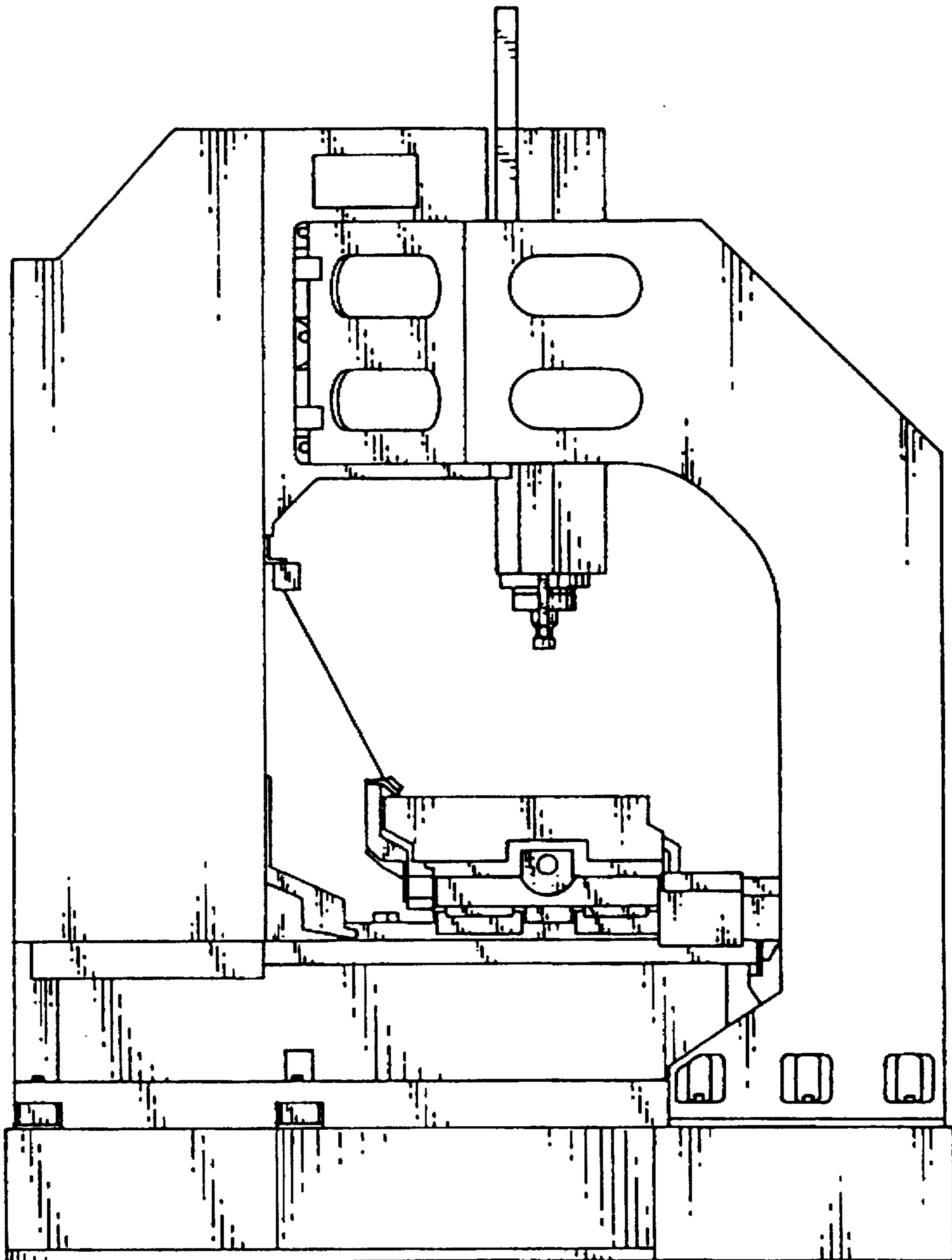


FIG. 7



UNITED STATES PATENT AND TRADEMARK OFFICE
CERTIFICATE OF CORRECTION

PATENT NO. : Des. 389,845
DATED : January 27, 1998
INVENTOR(S) : Masaru NAKAMURA et al.

It is certified that error appears in the above-identified patent and that said Letters Patent is hereby corrected as shown below:

Title page, column 1, item "[73] Assignees" should read as follows: --Masaru Nakamura, Niigita-ken; Toshiba Kikai Kabushiki Kaisha, Tokyo, both of Japan--.

Signed and Sealed this
Twenty-eighth Day of July, 1998

Attest:



BRUCE LEHMAN

Attesting Officer

Commissioner of Patents and Trademarks