



US00D389844S

# United States Patent [19]

Moreno

[11] Patent Number: **Des. 389,844**

[45] Date of Patent: **\*\*Jan. 27, 1998**

[54] **DIGGER TOOTH**

[75] Inventor: **Jorge Pallas Moreno**, Premia De Mar, Spain

[73] Assignee: **Metalogenia, S.A.**, Premia De Mar, Spain

[\*\*] Term: **14 Years**

[21] Appl. No.: **55,899**

[22] Filed: **Jun. 14, 1996**

[30] **Foreign Application Priority Data**

Dec. 14, 1995 [ES] Spain ..... 136,465

[51] LOC (6) Cl. .... **15-03**

[52] U.S. Cl. .... **D15/29**

[58] Field of Search ..... D15/10, 11, 25, 139, 37/446, 452-454; 172/699, 713

[56] **References Cited**

**U.S. PATENT DOCUMENTS**

D. 328,466 8/1992 Robinson ..... D15/29

D. 329,243 9/1992 Robinson ..... D15/29

3,444,633 5/1969 Hensley ..... 37/452

3,959,901 6/1976 Klett ..... 172/713

4,932,478 6/1990 Jones ..... 172/699

5,325,615 7/1994 Hutchins et al. .... 37/452

*Primary Examiner*—Sandra L. Morris  
*Attorney, Agent, or Firm*—Horst M. Kasper

### [57] CLAIM

The ornamental design for a digger tooth, as shown and described.

### DESCRIPTION

FIG. 1 is a perspective view of a digger tooth, showing my new design;

FIG. 2 is a lower perspective view thereof;

FIG. 3 is a sectional view, taken along line 3—3 of FIG. 4;

FIG. 4 is an upper plan view thereof;

FIG. 5 is a lower plan view thereof;

FIG. 6 is a side elevational view thereof, the other side being identical;

FIG. 7 is a front elevational view thereof;

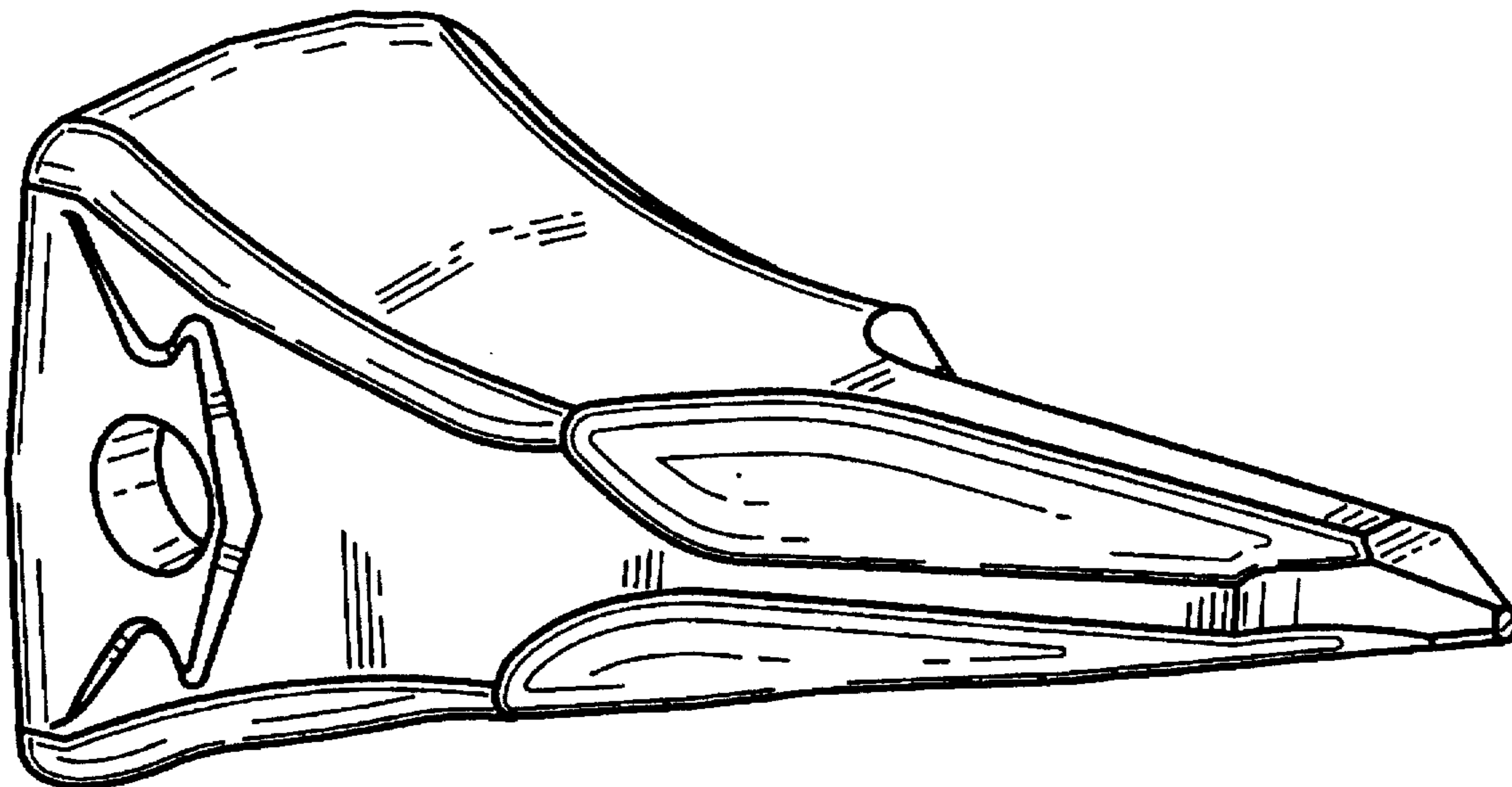
FIG. 8 is a rear elevational view thereof;

FIG. 9 is an enlarged sectional view, taken along line 9—9 of FIG. 6;

FIG. 10 is an enlarged sectional view, taken along line 10—10 of FIG. 6; and

FIG. 11 is a sectional view, taken along line 11—11 of FIG. 6.

**1 Claim, 3 Drawing Sheets**



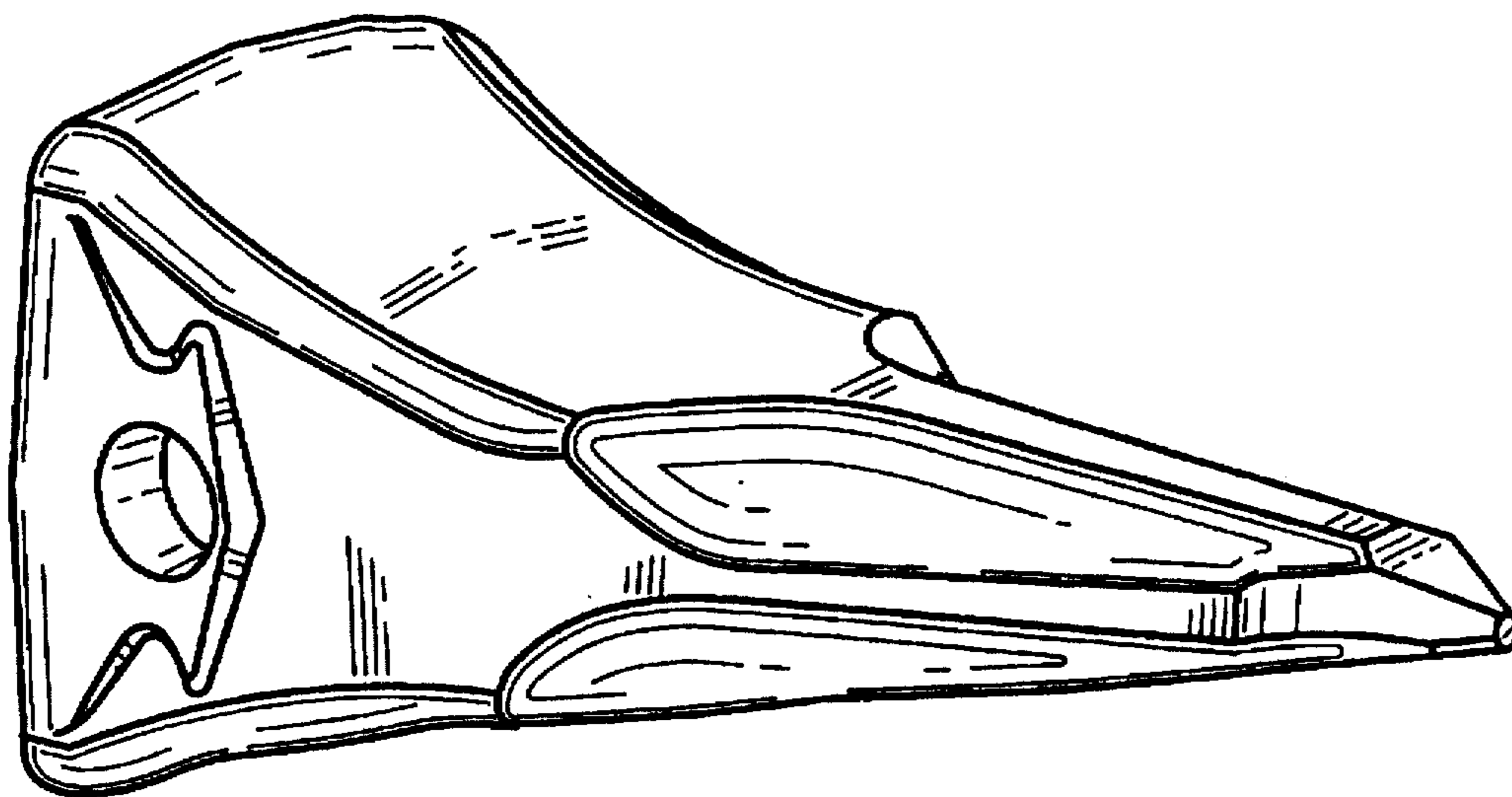


Fig. 1

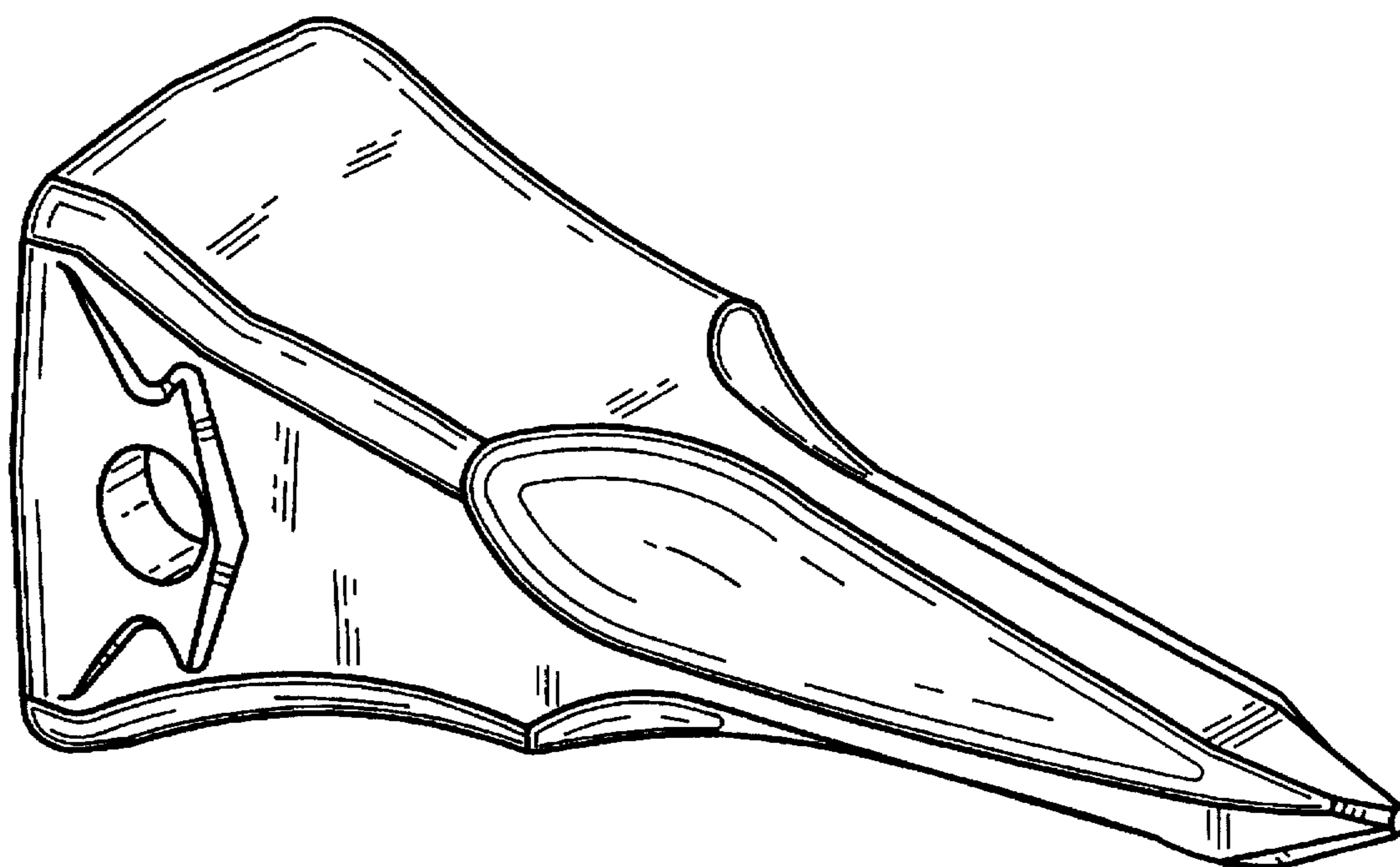


Fig. 2

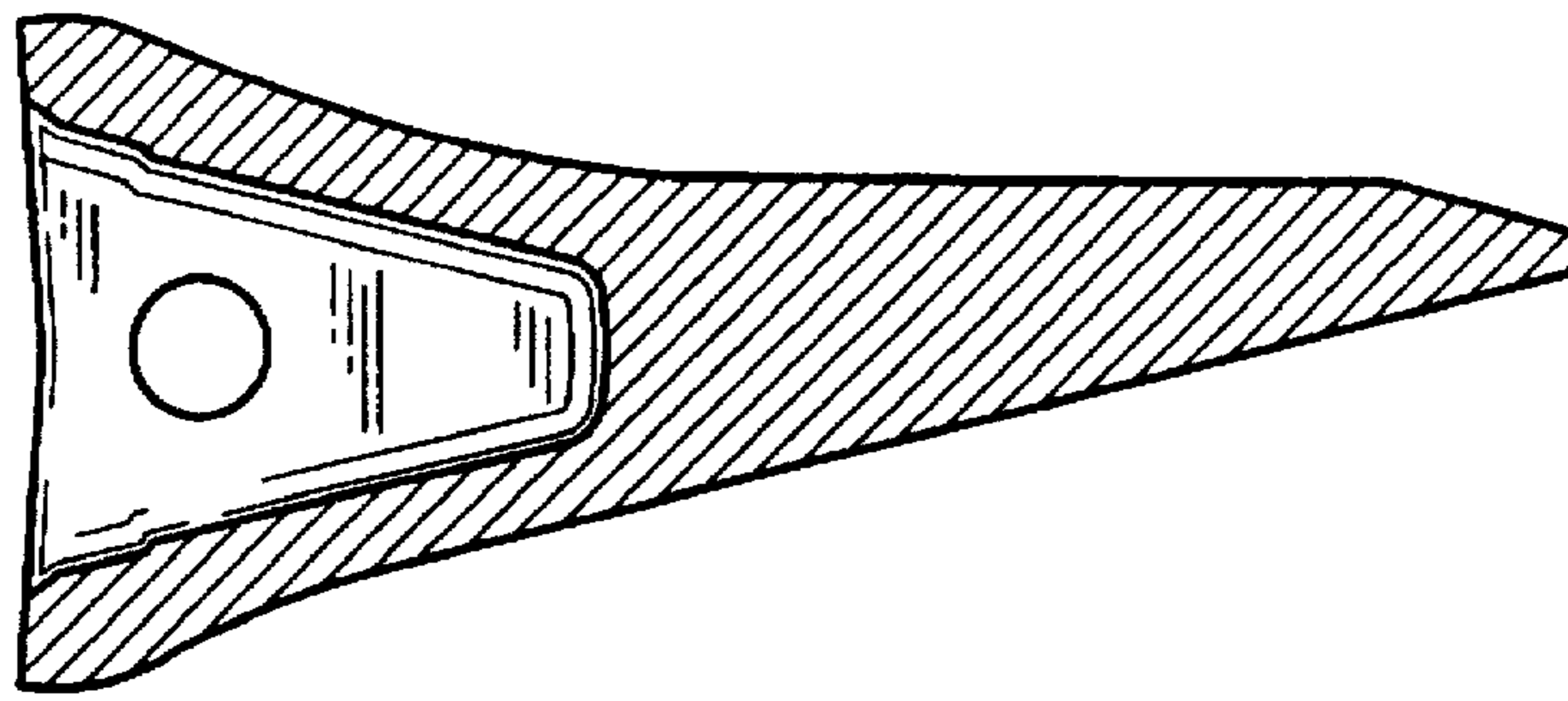


Fig.3

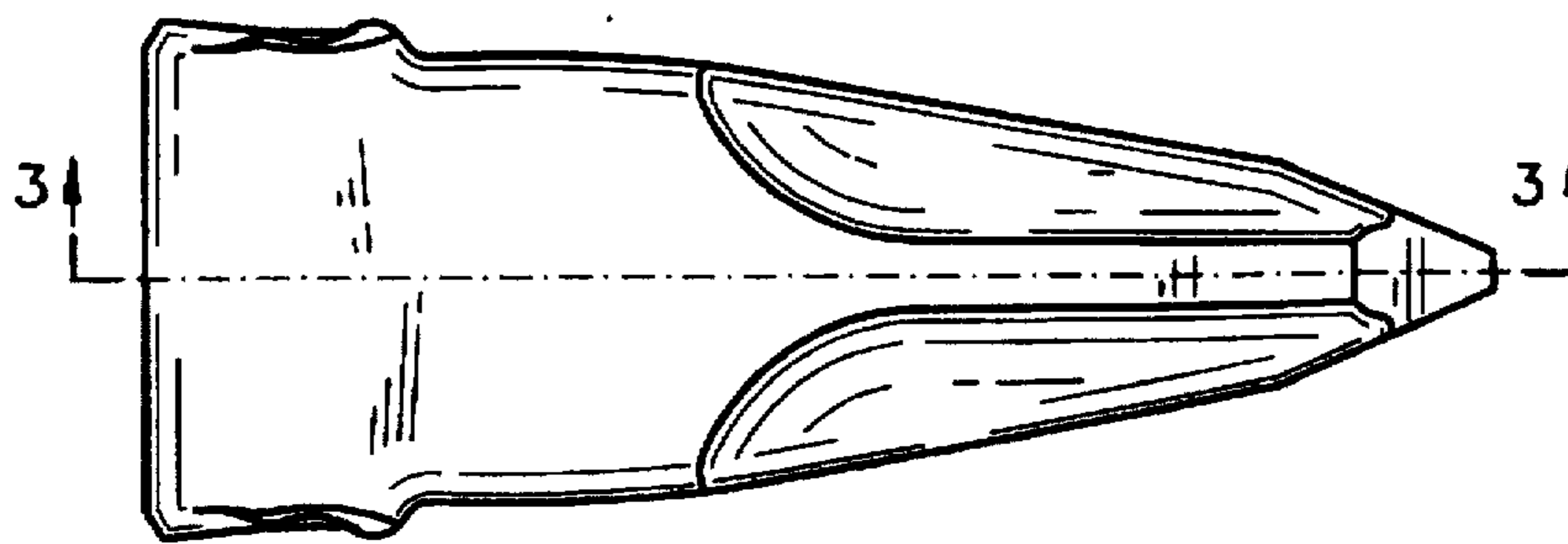


Fig.4

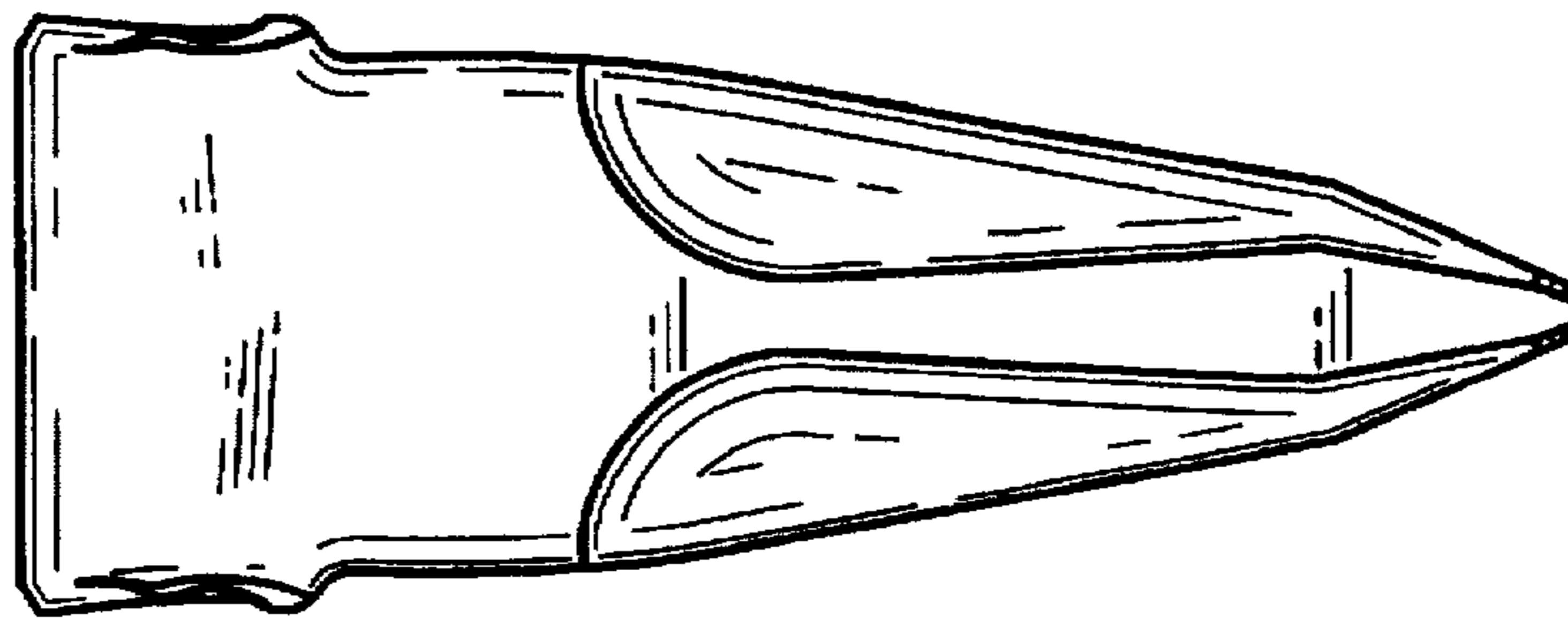


Fig.5

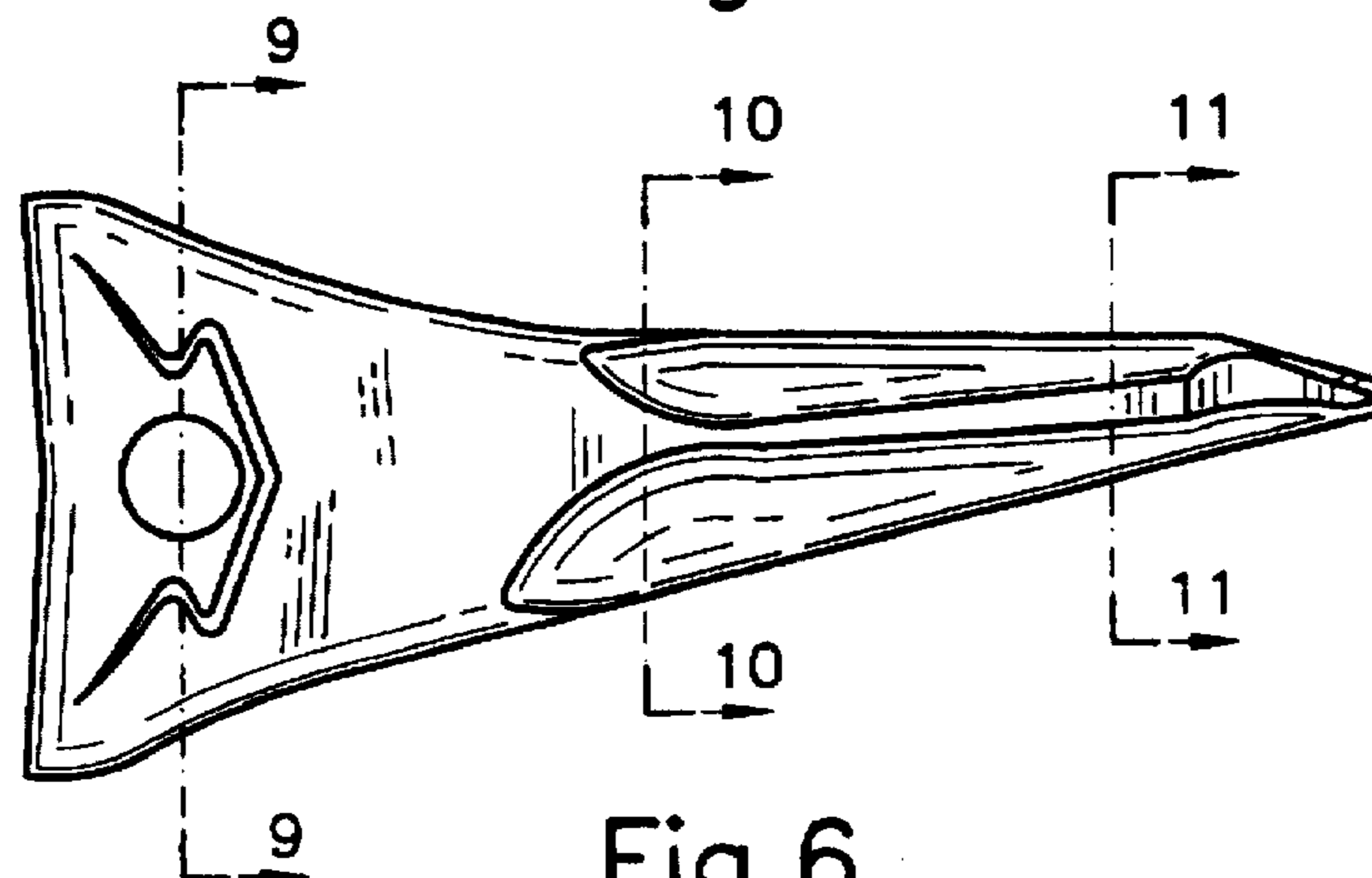


Fig.6



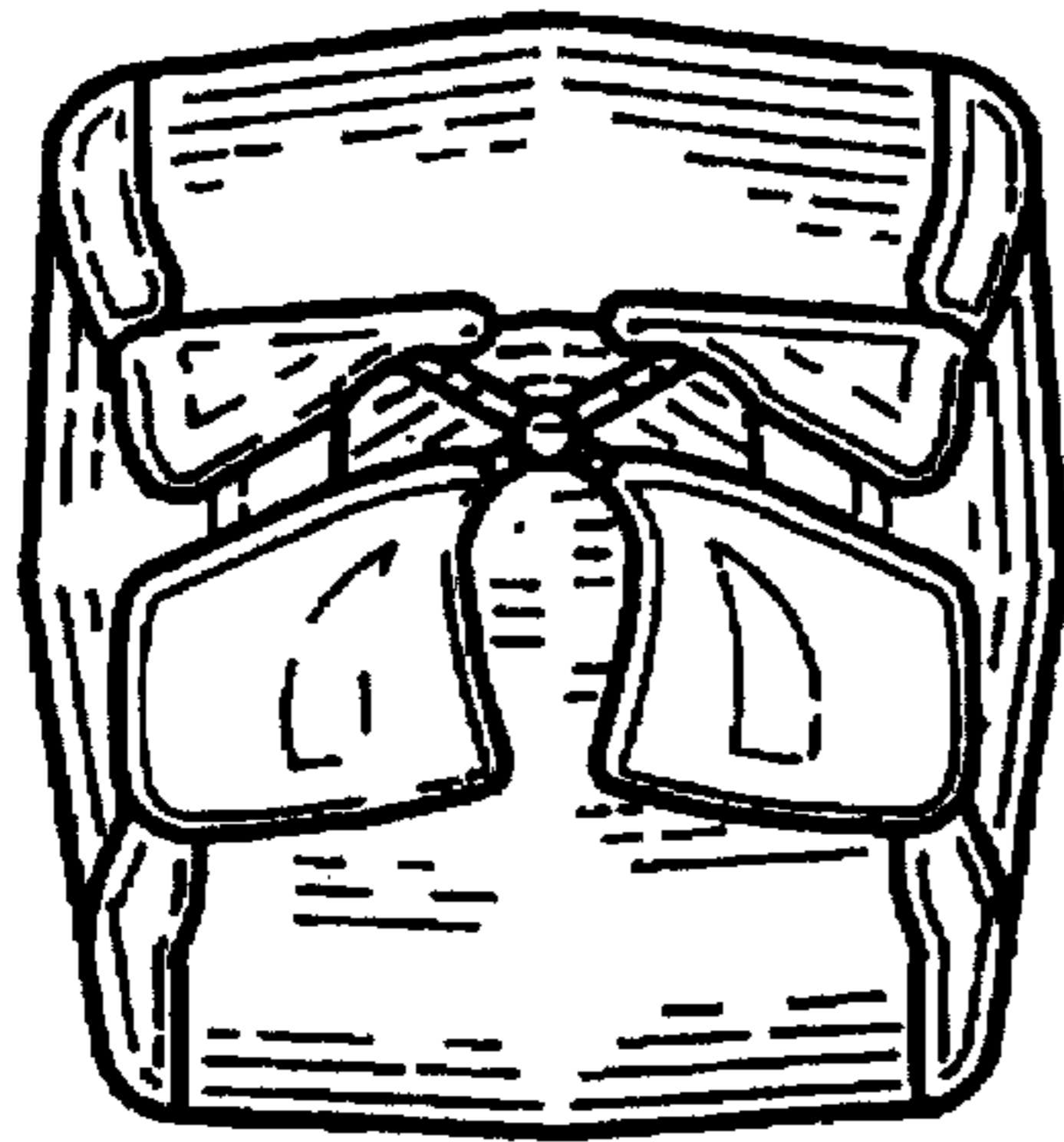


Fig. 7

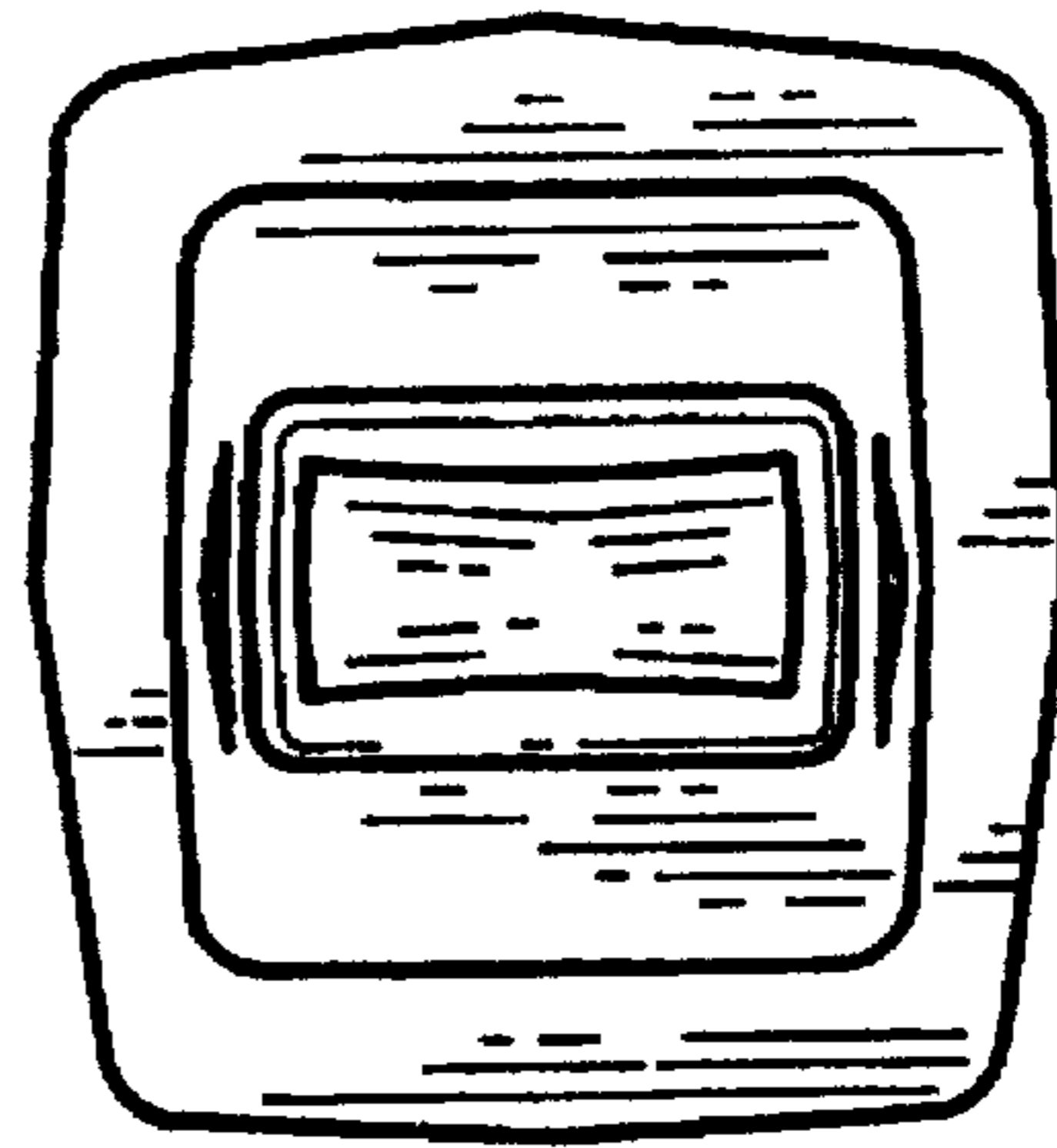


Fig. 8

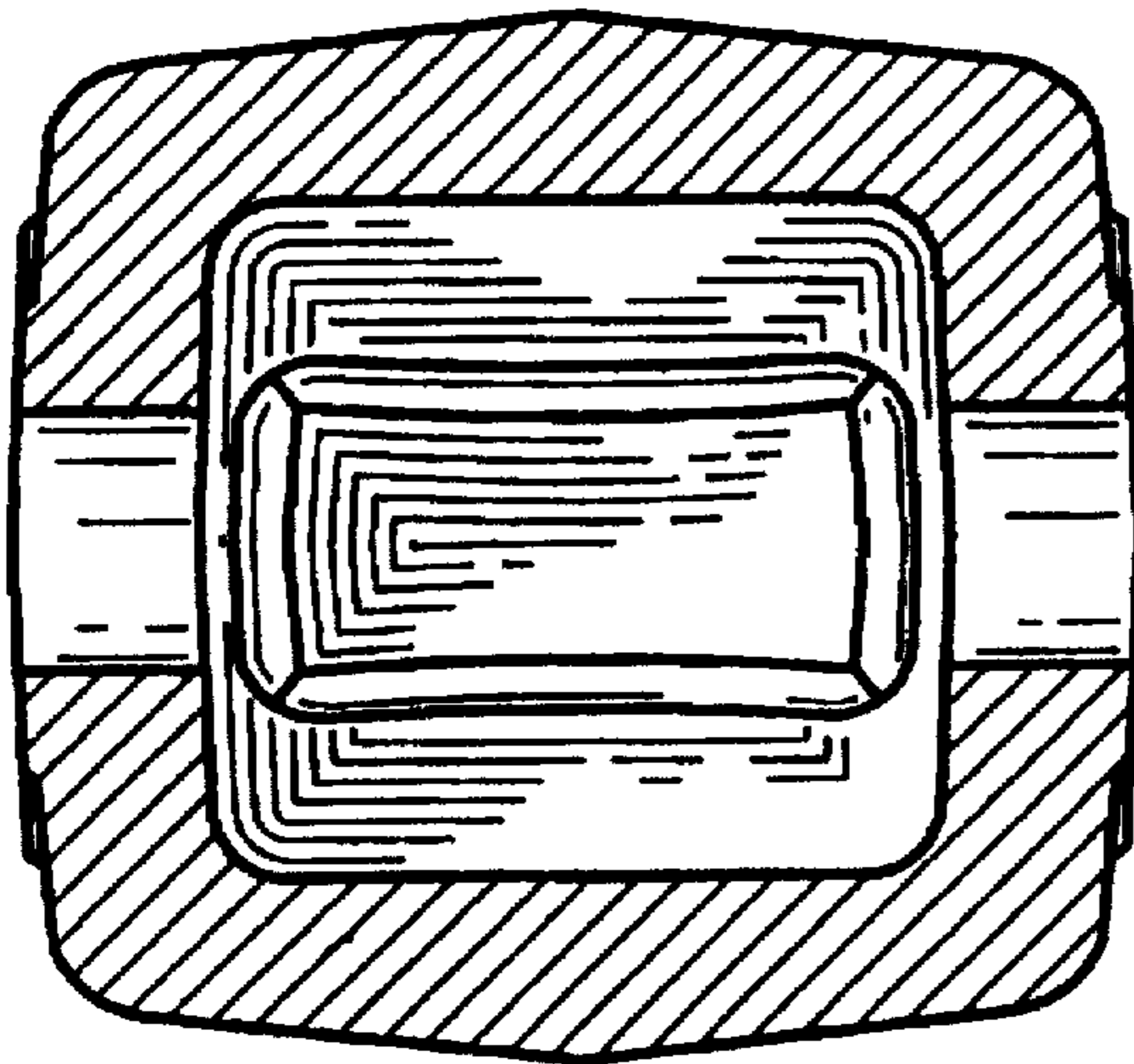


Fig. 9

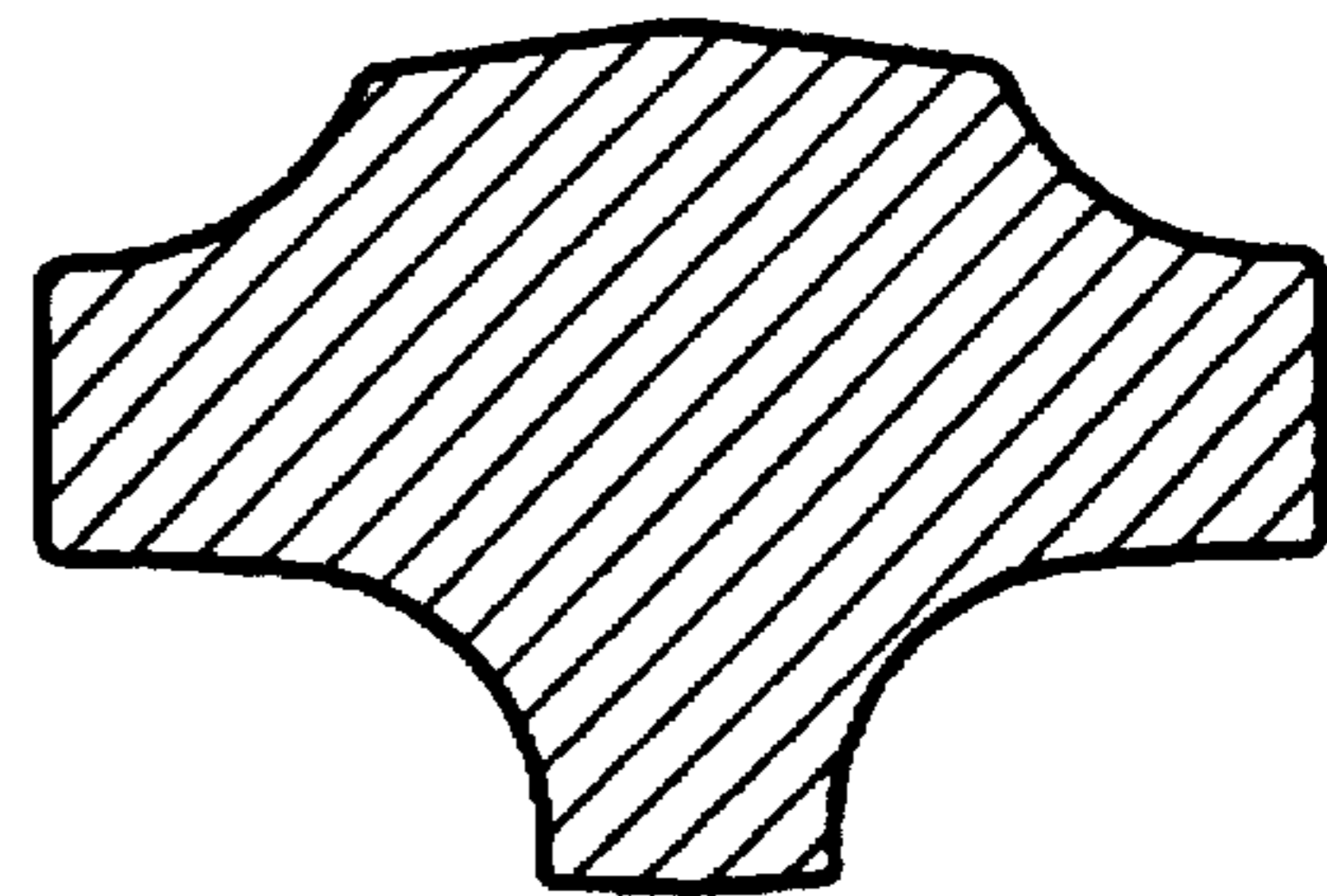


Fig. 10

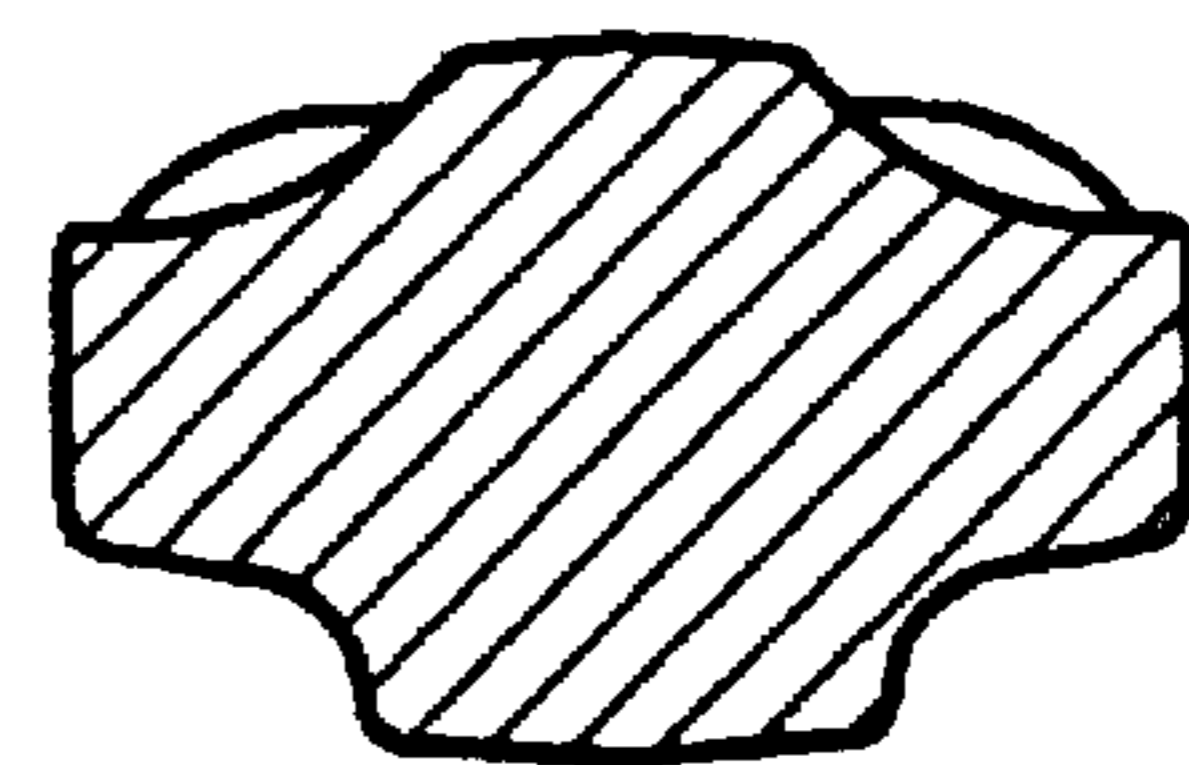


Fig. 11