



US00D389840S

United States Patent [19]

Tucker et al.

[11] Patent Number: **Des. 389,840**

[45] Date of Patent: ****Jan. 27, 1998**

[54] **HOUSING FOR ELECTRONIC COMPONENTS**

[75] Inventors: **Russell L. Tucker**, San Ramon; **Mark S. McCall**, Santa Rosa; **Bernabe R. Lovina**, Benecia, all of Calif.

[73] Assignee: **Next Level Communications**, Rohnert Park, Calif.

[**] Term: **14 Years**

[21] Appl. No.: **53,819**

[22] Filed: **Apr. 30, 1996**

[51] LOC (6) Cl. **14-03**

[52] U.S. Cl. **D14/240; D13/184**

[58] Field of Search **D14/140, 142, D14/240, 100, 107, 114, 242, 256; D13/184, 146, 147, 133; 385/134, 135, 147; 361/736, 801; 439/76.1, 676; 379/419, 420, 428, 440, 441, 442, 399, 418**

[56] **References Cited**

U.S. PATENT DOCUMENTS

- D. 304,193 10/1989 Lotz D14/240
- D. 305,225 12/1989 Komatsu D13/147
- D. 318,266 7/1991 Matsuzaki D13/147

- D. 322,604 12/1991 Komatsu D14/114
- D. 332,598 1/1993 Kikuta et al. D13/147
- D. 334,921 4/1993 Basara et al. D14/114
- D. 373,770 9/1996 James et al. D14/240
- D. 375,295 11/1996 Derocher et al. D14/107
- D. 375,938 11/1996 Muller et al. D13/184 X
- 4,812,004 3/1989 Biederstedt et al. 385/135
- 5,285,515 2/1994 Milanowski et al. 385/135
- 5,432,682 7/1995 Giehl 361/801 X
- 5,546,282 8/1996 Hill et al. 361/801 X

Primary Examiner—Jeffrey Asch
Attorney, Agent, or Firm—Skjerven, Morrill, MacPherson, Franklin & Friel; David W. Heid; E. Eric Hoffman

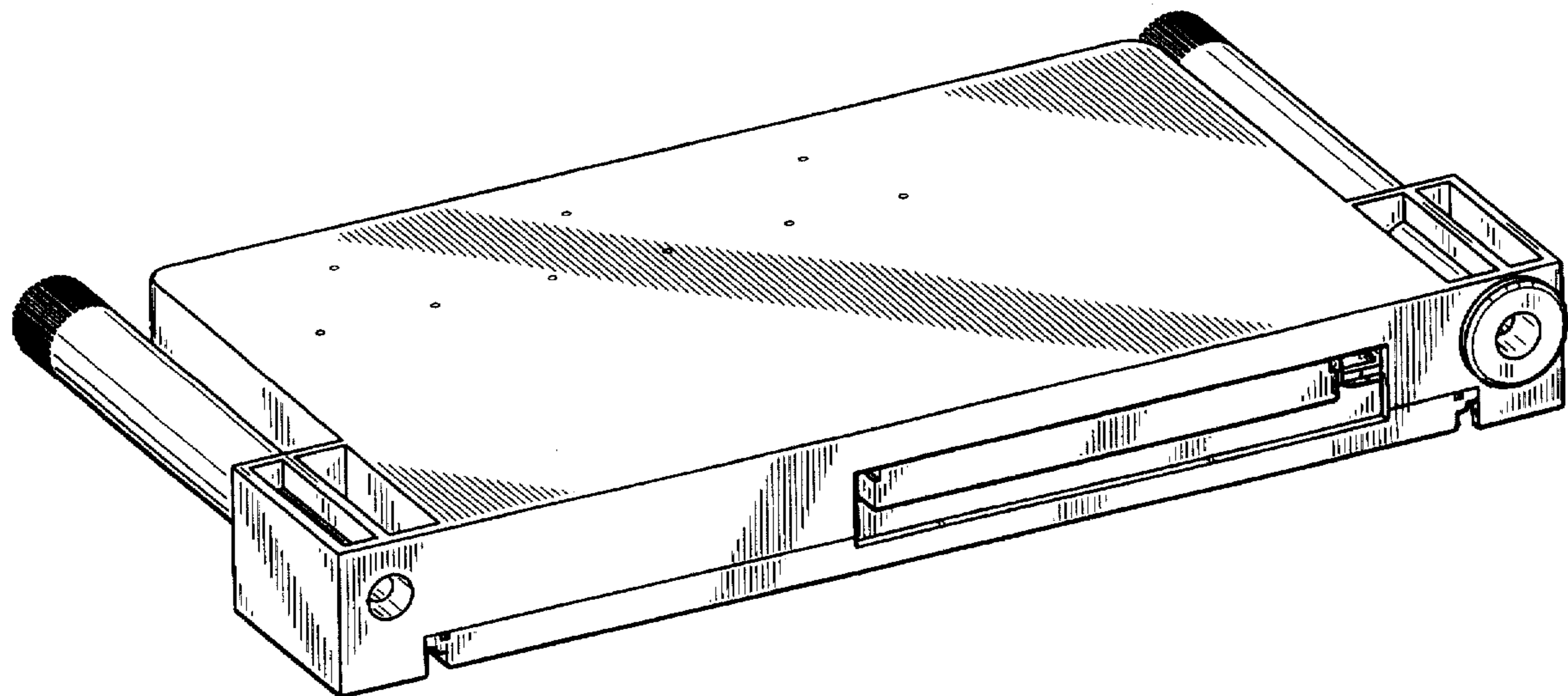
[57] **CLAIM**

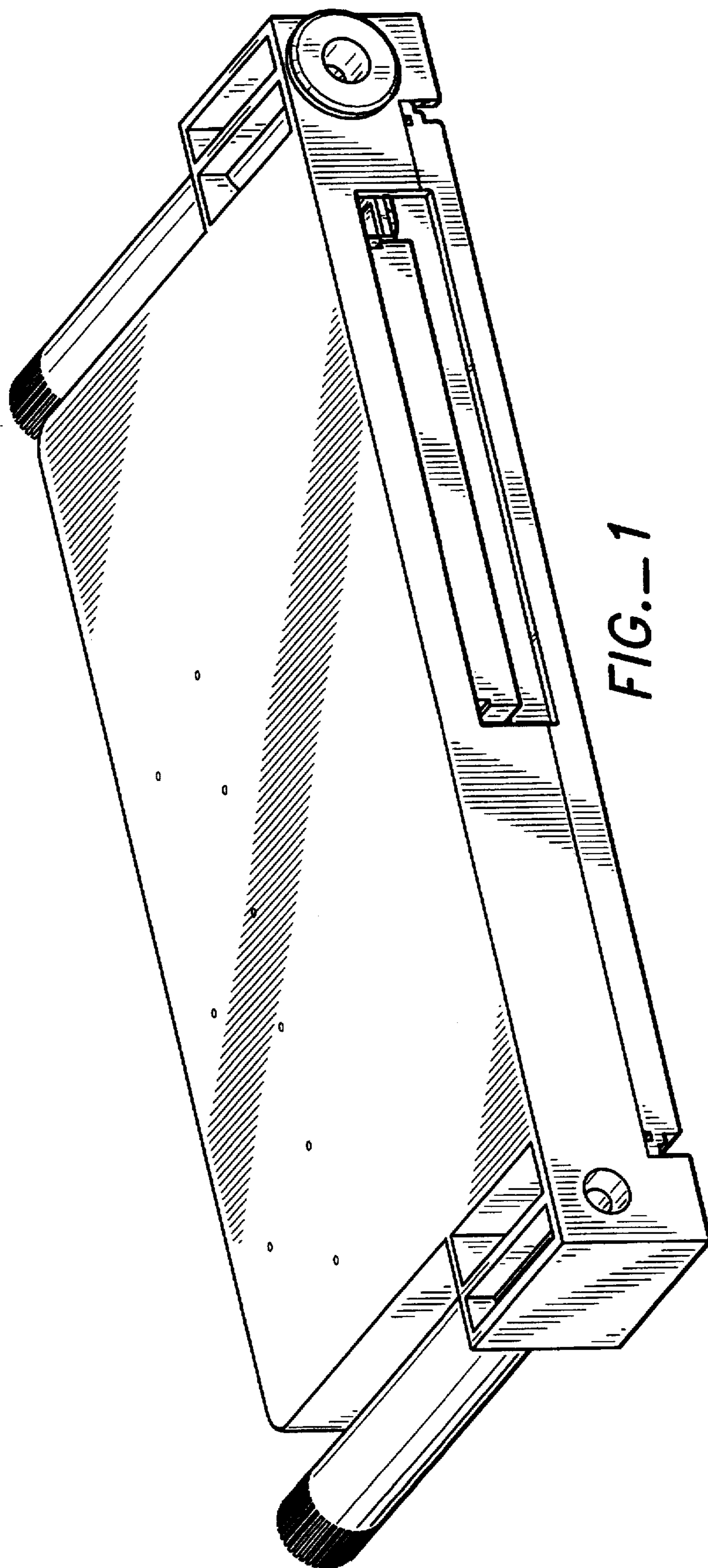
The ornamental design for a housing for electronic components, as shown and described.

DESCRIPTION

FIG. 1 is a perspective view of a housing for electronic components showing our new design; FIG. 2 is a top plan view thereof; FIG. 3 is a bottom plan view thereof; FIG. 4 is a front elevation view thereof; FIG. 5 is a rear elevation view thereof; FIG. 6 is a right side elevational view thereof; and, FIG. 7 is a left side elevational view thereof.

1 Claim, 5 Drawing Sheets





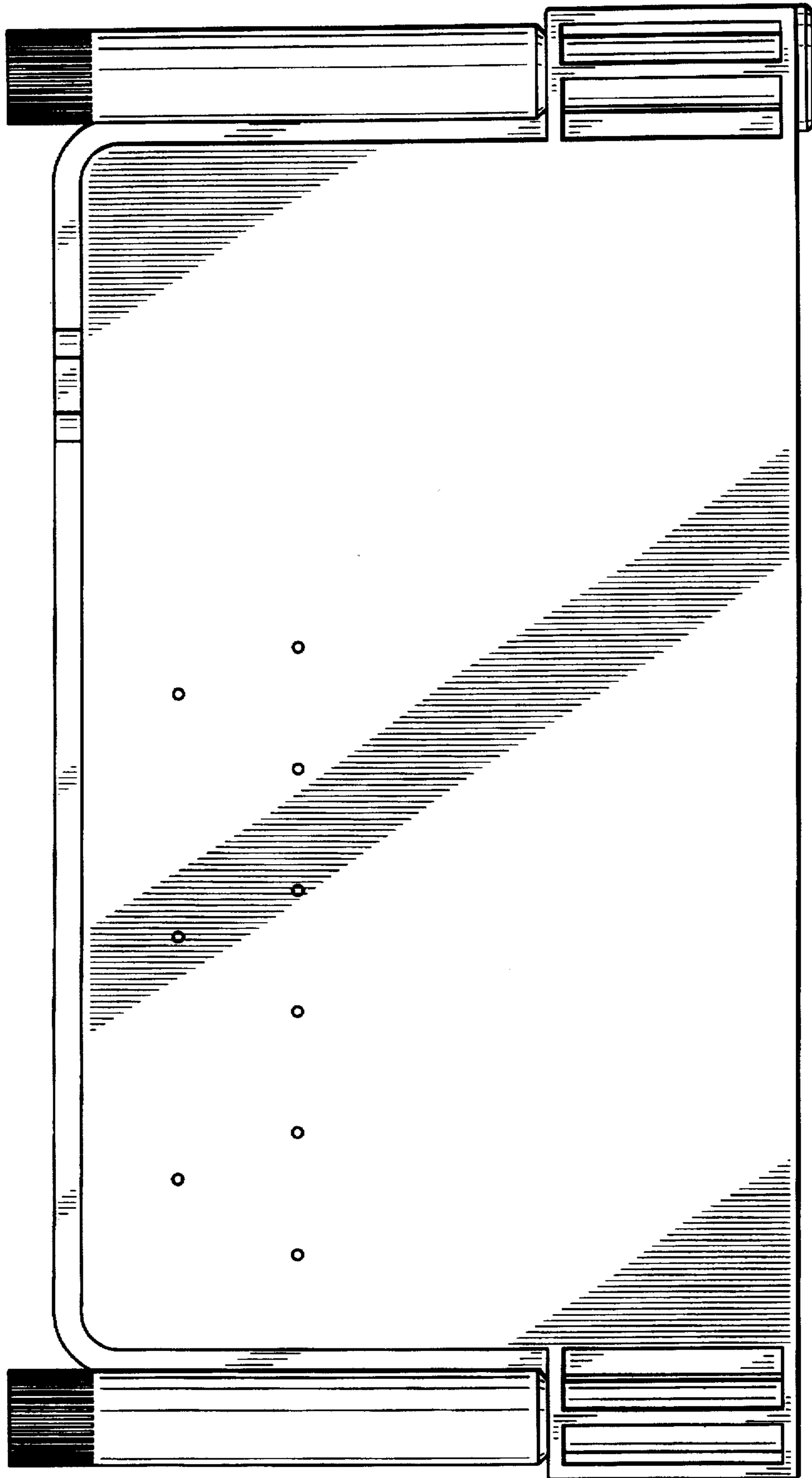


FIG.--2

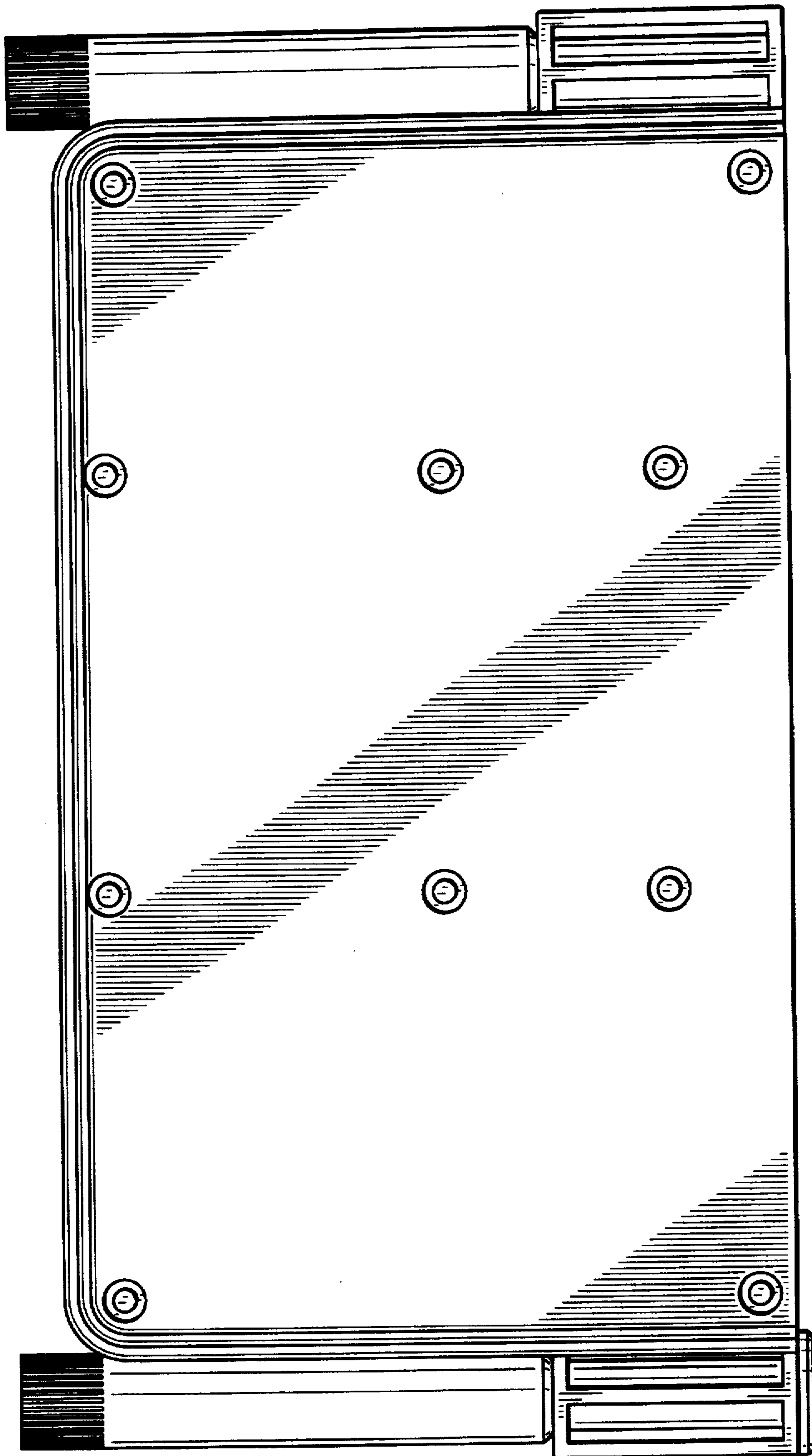


FIG.—3

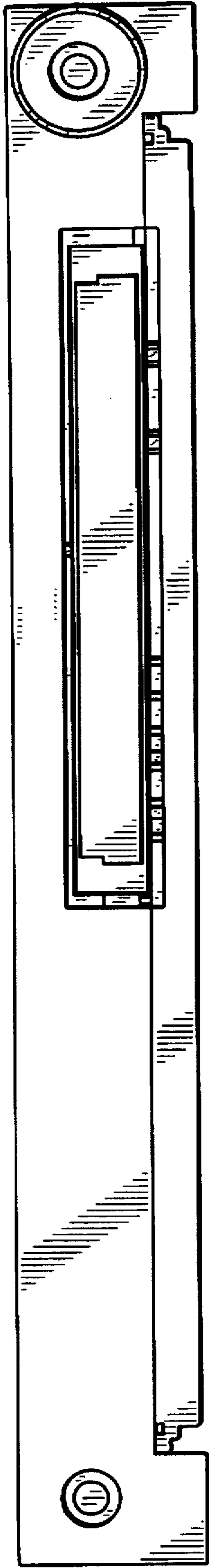


FIG.--4

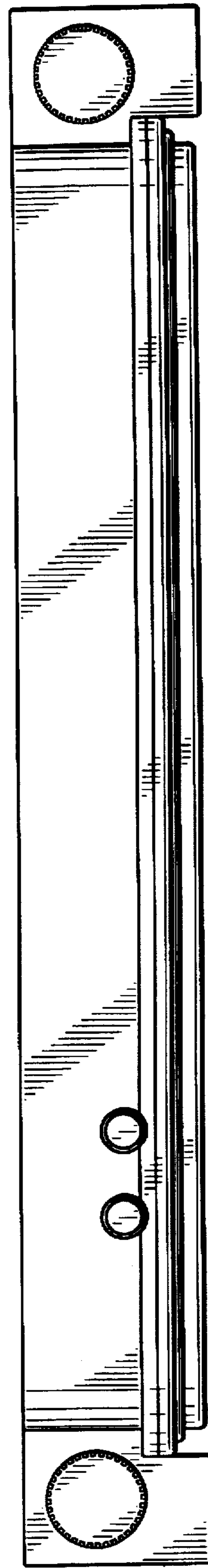


FIG.--5

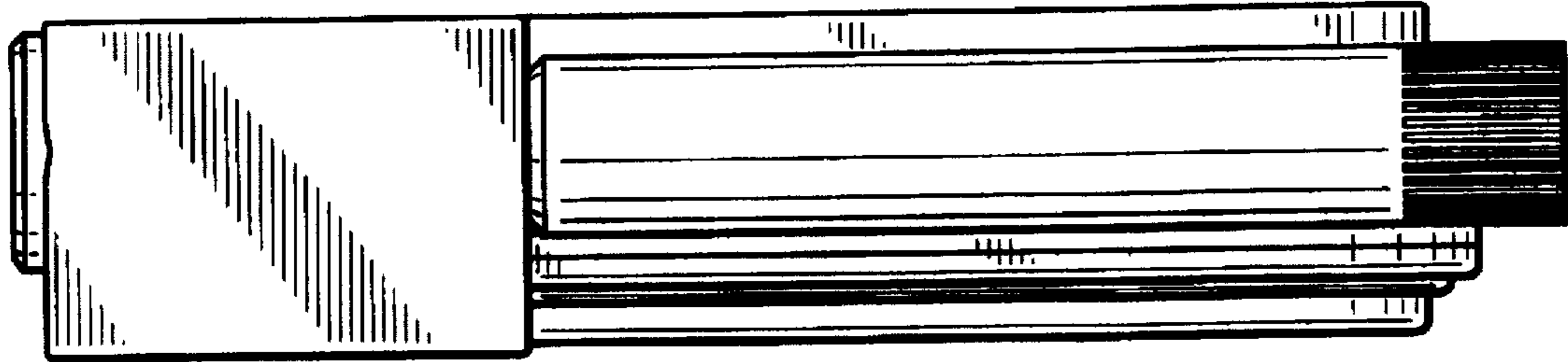


FIG. 6

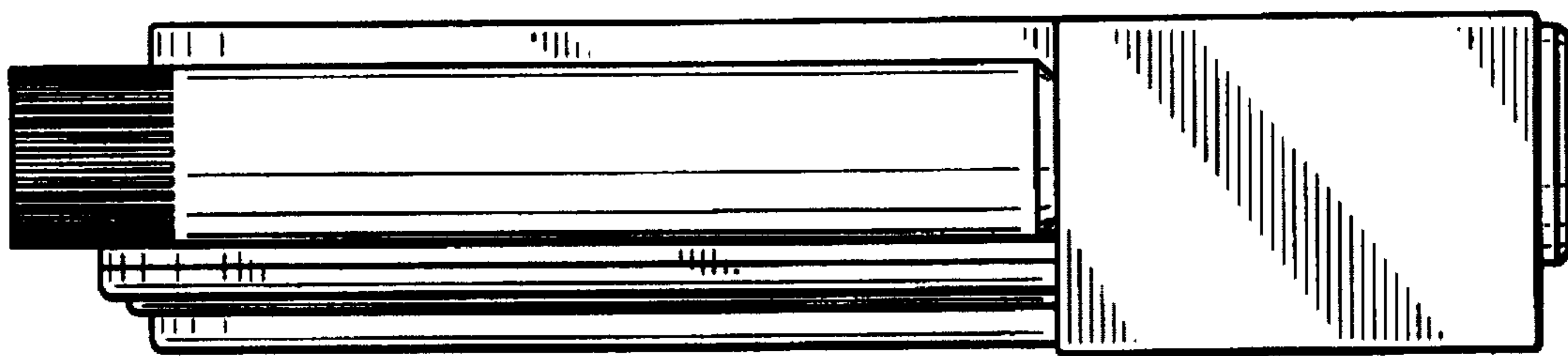


FIG. 7