

US00D389839S

United States Patent [19]

[11] Patent Number: **Des. 389,839**

Woodman et al.

[45] Date of Patent: ****Jan. 27, 1998**

[54] **DIRECTIONAL MICROPHONE**

D. 371,784 7/1996 Gertz D14/226 X
3,053,339 9/1962 Kishi et al. 181/158

[75] Inventors: **Edward C. Woodman**, Newburyport;
Steven L. Potts, Andover; **Adam Reed**,
Concord; **Russell Siggelkoe**, Bedford;
Hong Wang, Westford, all of Mass.

Primary Examiner—Sandra L. Morris
Assistant Examiner—Nanda Bondade
Attorney, Agent, or Firm—Fish & Richardson P.C.

[73] Assignee: **PictureTel Corporation**, Andover,
Mass.

[57] **CLAIM**

[**] Term: **14 Years**

The ornamental design for a directional microphone, as
shown and described.

[21] Appl. No.: **64,655**

DESCRIPTION

[22] Filed: **Jan. 8, 1997**

FIG. 1 is a perspective view of the directional microphone
showing our new design;

[51] LOC (6) Cl. **14-01**

[52] U.S. Cl. **D14/227**

[58] Field of Search D14/206, 225-229,
D14/299; 181/158, 242; 381/91, 168, 169,
122

FIG. 2 is a front view of the directional microphone shown
in FIG. 1;

FIG. 3 is a back view of the directional microphone shown
in FIG. 1;

FIG. 4 is a left side view of the directional microphone
shown in FIG. 1;

FIG. 5 is a right side view of the directional microphone
shown in FIG. 1;

FIG. 6 is a top view of the directional microphone shown in
FIG. 1; and,

FIG. 7 is a bottom view of the directional microphone shown
in FIG. 1.

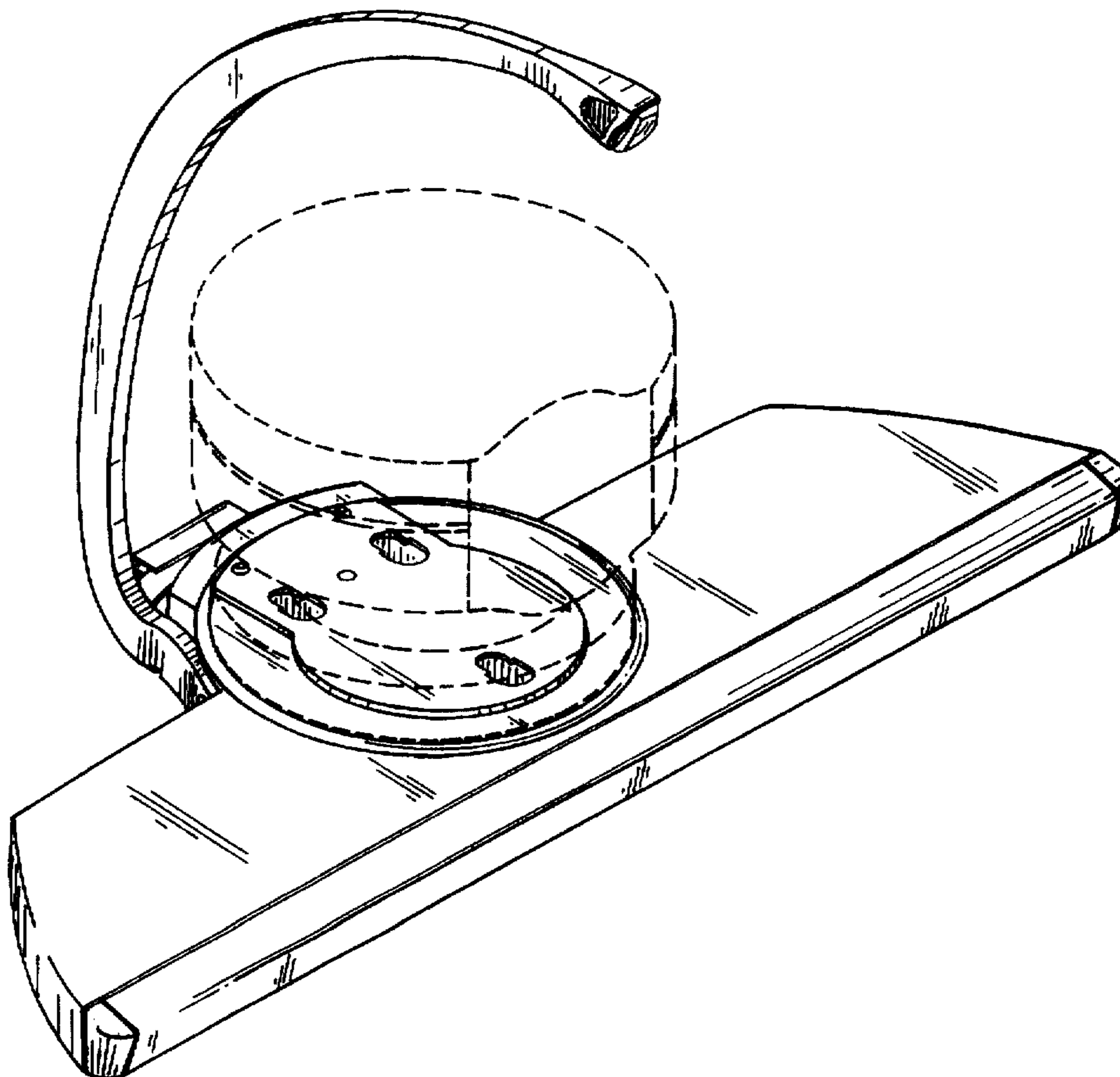
The broken line showing on FIG. 1 is for illustrative
purposes only and forms no part of the claimed design.

[56] **References Cited**

U.S. PATENT DOCUMENTS

- D. 161,891 2/1951 Albert D14/227
- D. 247,621 3/1978 Podall D14/227
- D. 349,285 8/1994 Robertus D14/226 X
- D. 365,564 12/1995 Luther et al. D14/228 X

1 Claim, 7 Drawing Sheets



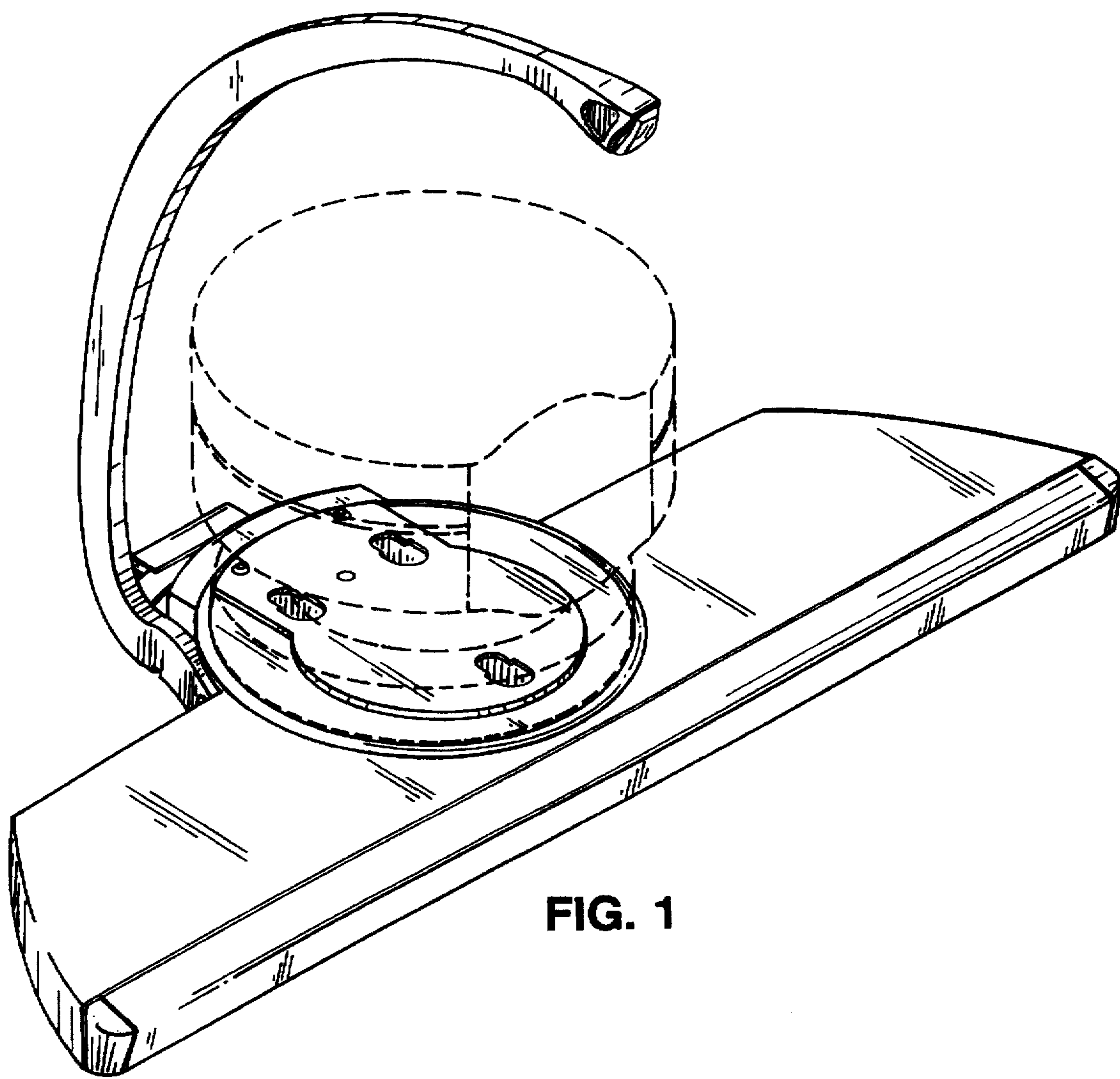


FIG. 1

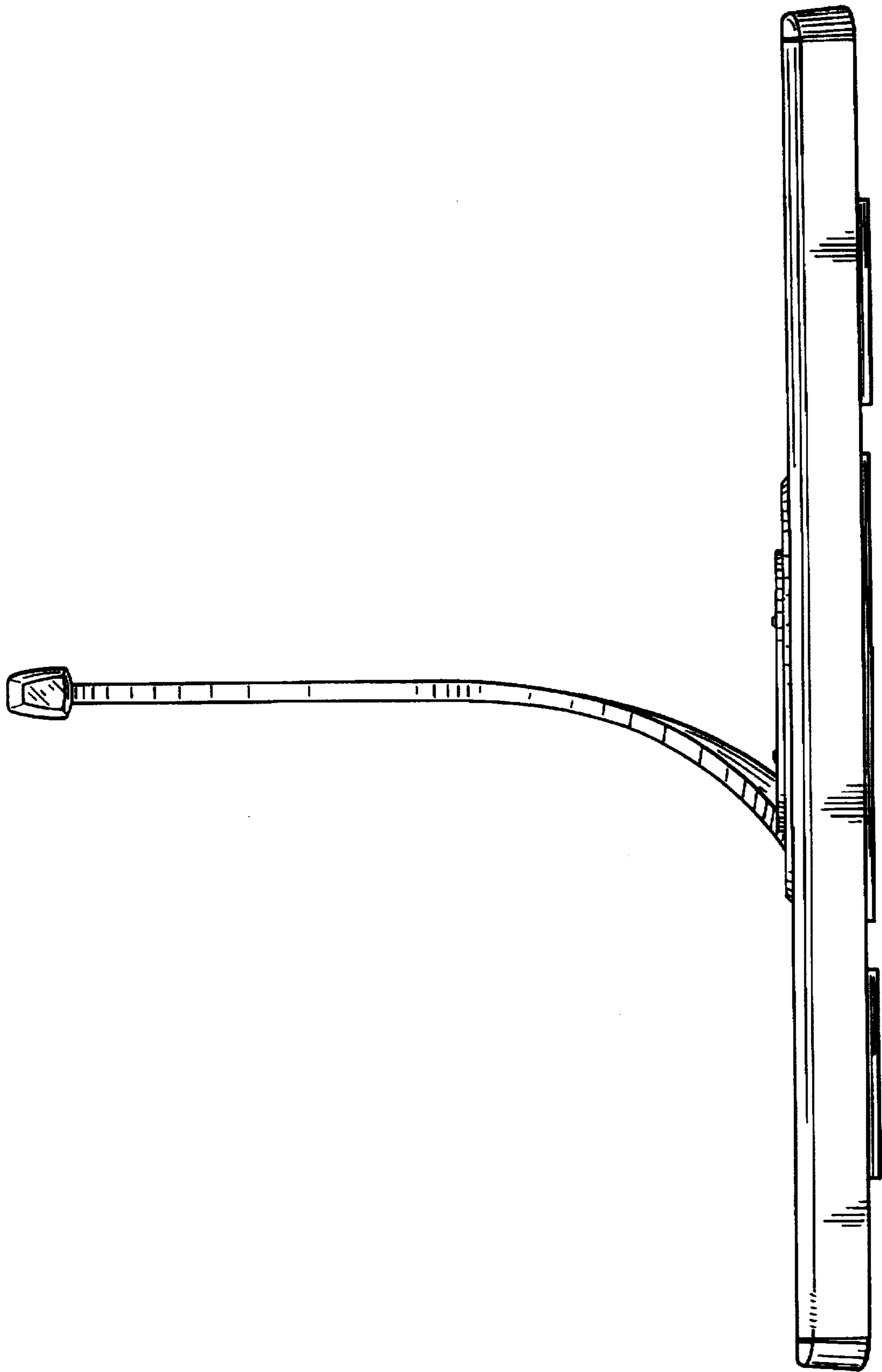


FIG. 2

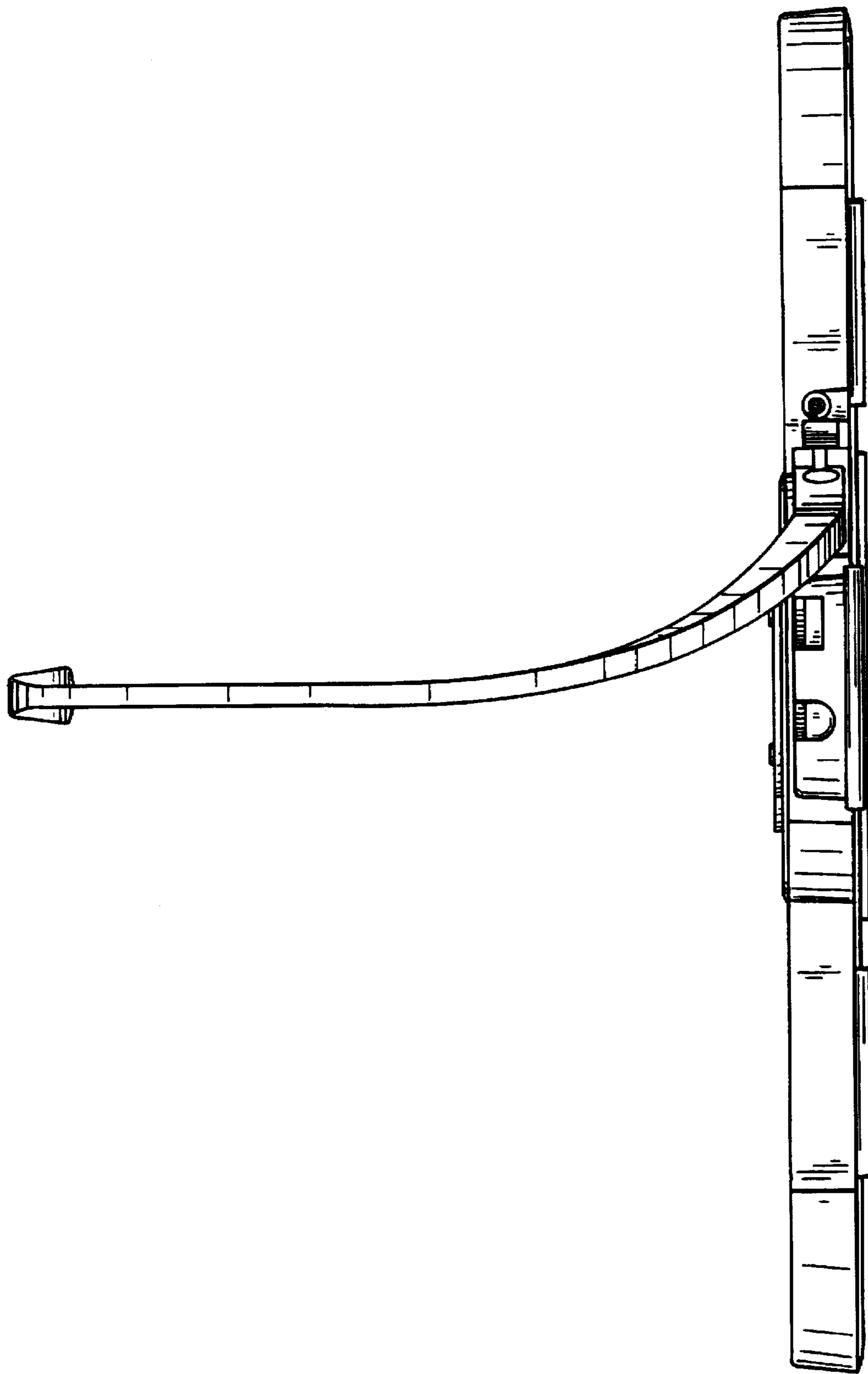


FIG. 3

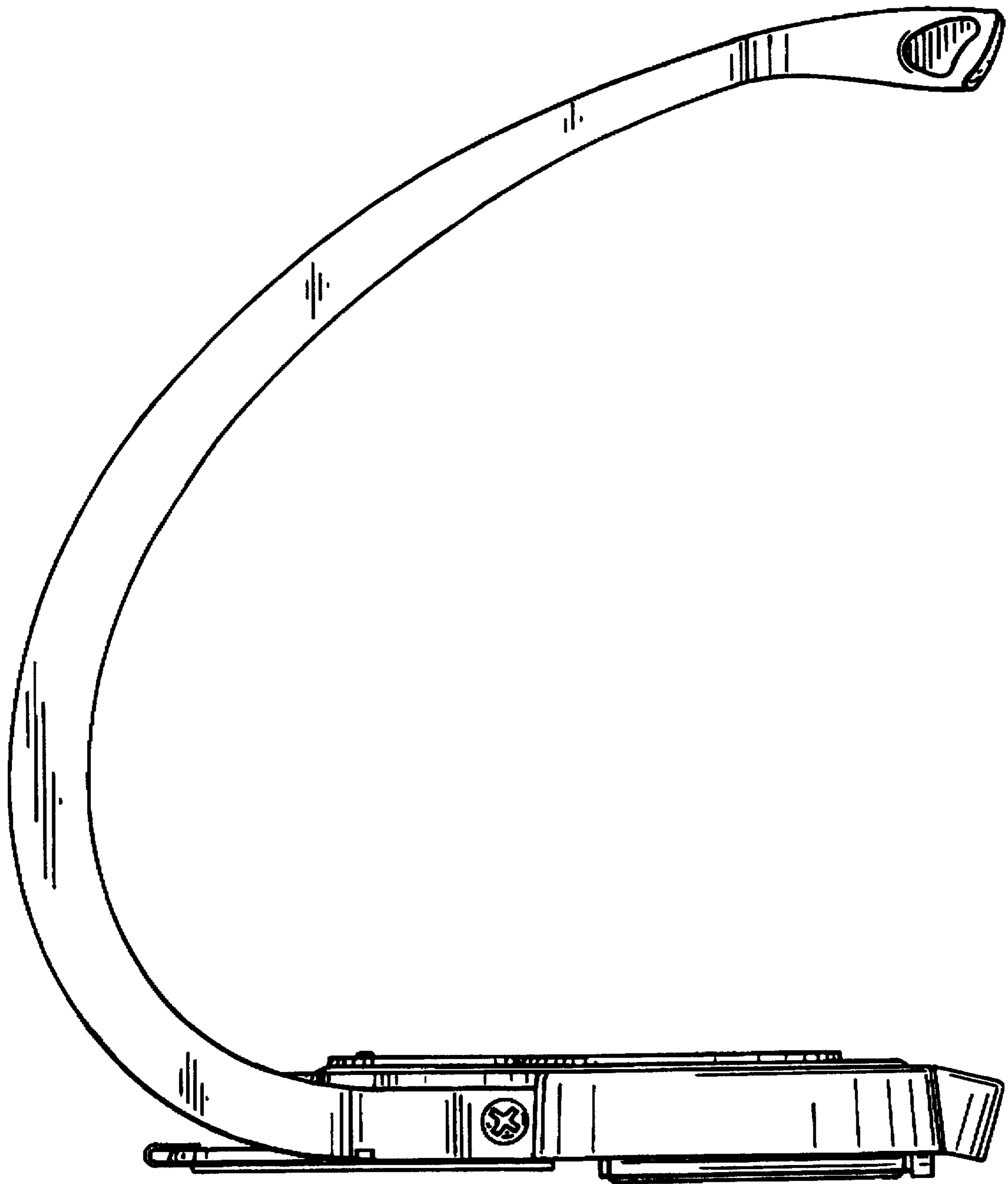


FIG. 4

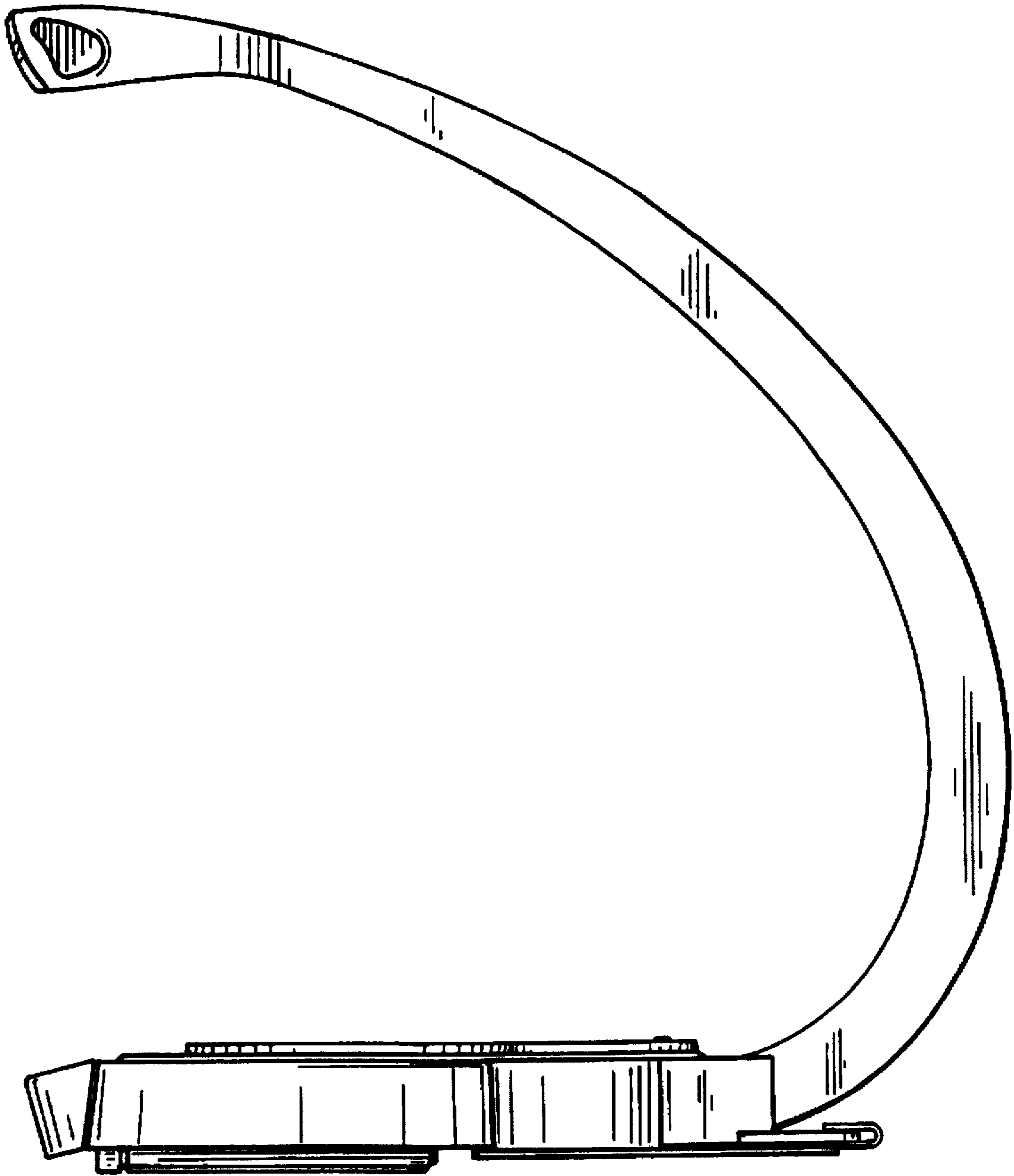


FIG. 5

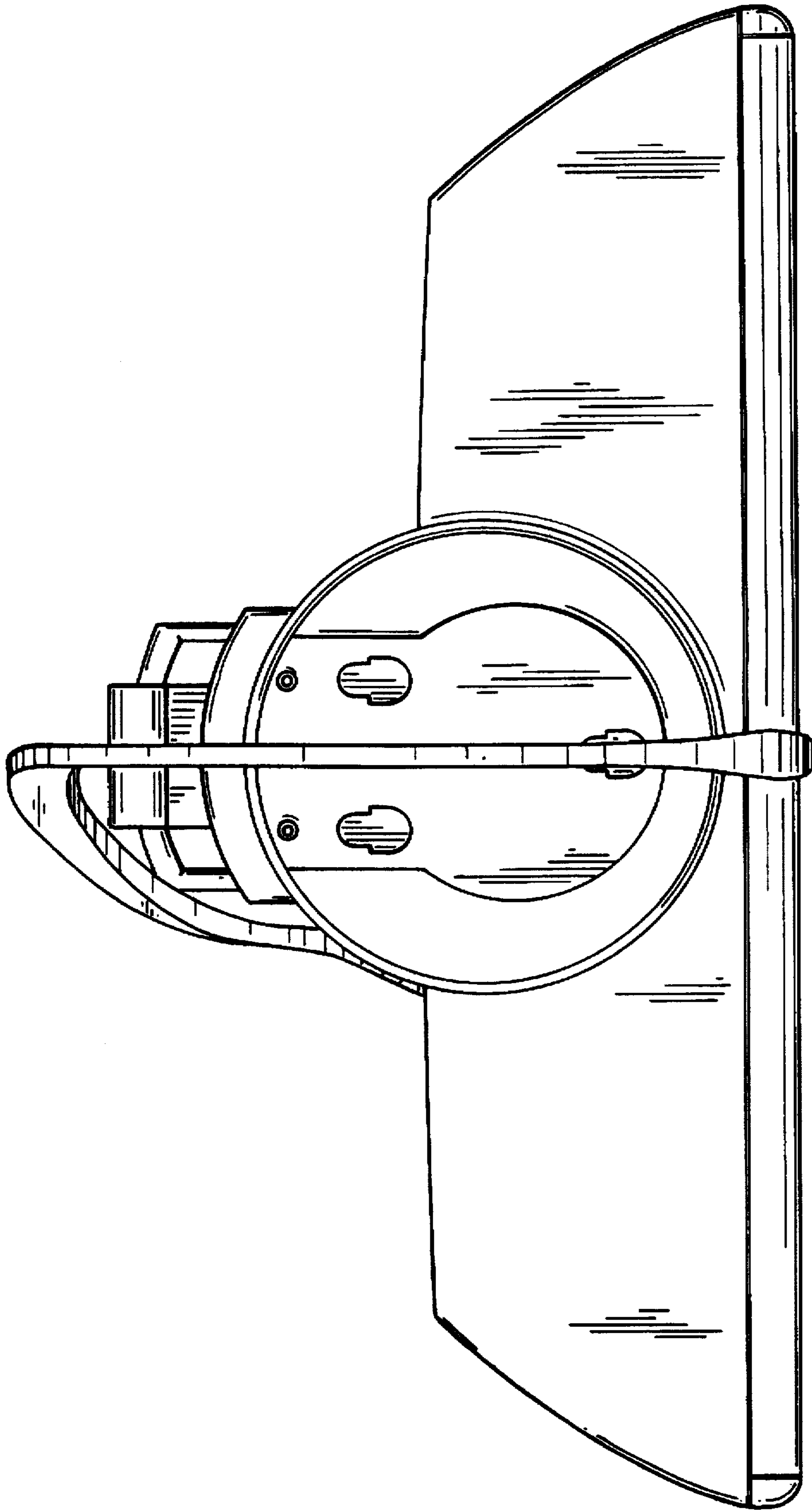


FIG. 6

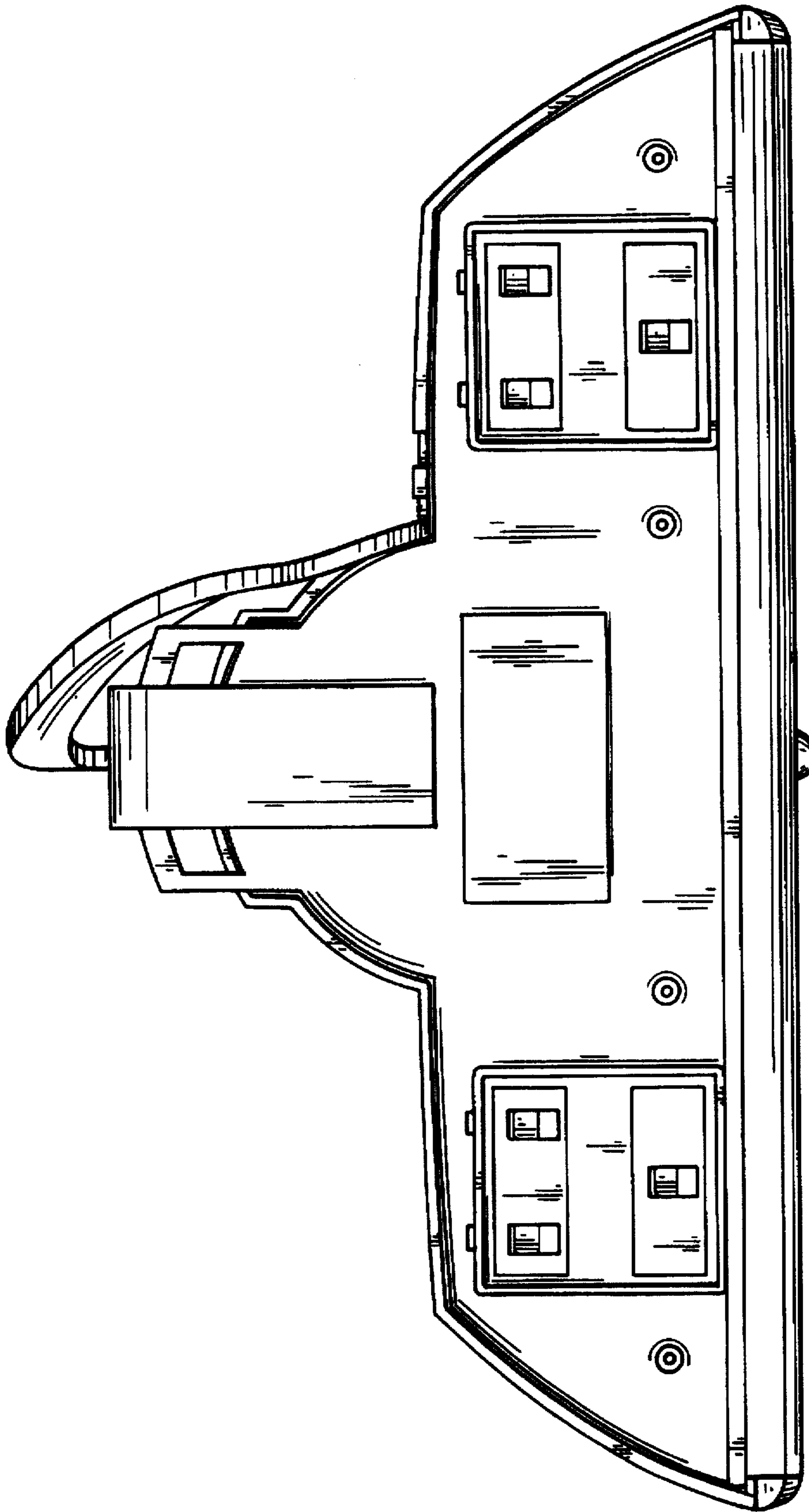


FIG. 7